

6,500 Lumens · 5,000,000:1 Contrast · WUXGA · 3LCD  
Laser Light Source · 4K Scaler · 0.235:1 Ultra Short Throw

# EIKI-65LU

## Ultra Short Throw Projector



### Key Features

- 6,500 center lumens bright with 80% uniformity and a 5,000,000:1 contrast ratio.
- High brightness and contrast with long life 20,000 hour Laser Light Source.
- Ultra Short Throw (0.235:1) manual focus lens.
- 10-bit color processing, for superior color reproduction.
- Native WUXGA resolution. Compatible with inputs up-to UXGA, WUXGA and 4K.
- Supports 4K video input via HDMI.
- Horizontal, Vertical & Corner Keystone Correction.
- Pincushion/Barrel & 6 point Geometric Correction.
- Built-in 16 Watt amplifier and speaker system. Closed Caption decoding.
- Compatible with Crestron RoomView™ & AMX Device Discovery Technology.
- Wired network control and monitoring.

**EIKI**



CRESTRON  
**RoomView**  
connected

# EK-65LU

WUXGA 3LCD Laser Projector



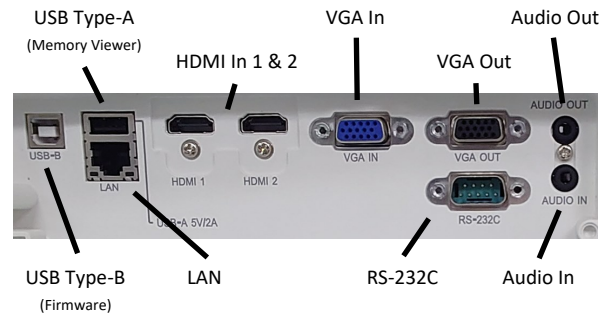
## Specifications

Model	EK-65LU	
Display Type	0.64" 3LCD	
Resolution	WUXGA (1920 x 1200)	
Aspect Ratio	16:10	
Brightness (Center Lumens)	6,500 lumens	
Contrast Ratio	5,000,000:1	
Projection Light Source	Laser	
Light Source Life	20,000 hours	
Image Diagonal	80-120"	
Lens (F Value / Focal Length)	f: 1.7; FL: 0.115 in (2.94 mm)	
Throw Distance	1.34-2.0 ft (0.41-0.61 m)	
Throw:Width Ratio	0.235:1	
Keystone Correction	V: +/- 5° H: +/- 5°, Corner Keystone	
Projection Elevation Adjustment	up-to 2°	
Scanning Frequency	H Sync. 15-100 KHz, V Sync. 24-85 Hz	
Dot Clock	up-to 300 MHz	
Input Signals - Computer	4K (3840 x 2160) - VGA (640 x 480)	
Input Signals - Video	1080 i/p, 720 p, 576 i/p, 480 i/p	
Terminal	HDMI In	HDMI x 2
	VGA In	Dsub15 x 1
	USB	USB Type A x 1 (Memory Viewer)
	USB	USB Type B x 2 (Firmware)
	VGA Out	Dsub15 x 1
	Audio In	3.5mm MiniStereo x 1
Audio Out	3.5mm MiniStereo x 1	
Built-in Speaker	Mono 16 Watt	
Fan Noise (Eco / Normal)	27 dB / 37 dB	
Dimensions (H x W x D)	6.6 x 20.5 x 17.6 in (16.8 x 52.1 x 44.6 cm)	
Weight	24 lb (11 kg)	
Power Requirements	100-240V AC, 50/60 Hz	
Power Consumption	0.5 W in Eco Standby mode, up-to 380 W	
Thermal Dissipation	1297 BTU	
Standard Accessories	Detachable AC Power Cord, VGA Cable, Quick Start Guide, Remote Control (with 2x AAA Batteries)	

## Dimensions



## Terminals



## Lens Specs

Manual Focus Fixed Lens  
 f: 1.7; FL: 0.115 in (2.94 mm)  
 Throw to Width: 0.235:1

## Distance Chart

Throw Distance (feet)	Screen Diagonal (inches)				
	80"	90"	100"	110"	120"
	1.3	1.5	1.7	1.8	2.0

## Eiki International, Inc.

22552 Avenida Empresa, Rancho Santa Margarita, CA 92688  
 Phone: 800-242-3454 · Email: usa@eiki.com · Web: www.eiki.com

Specifications subject to change without notice.

EIKI® is a registered trademark of EIKI International, Inc.

3LCD and 3LCD Logo are registered trademark of Seiko Epson Corporation.

HDMI® is a registered trademark of HDMI Licensing LLC.

Crestron Roomview™ is a registered trademark of Crestron Electronics, Inc

©2024 Eiki International, Inc.

2024/06-V1 GW