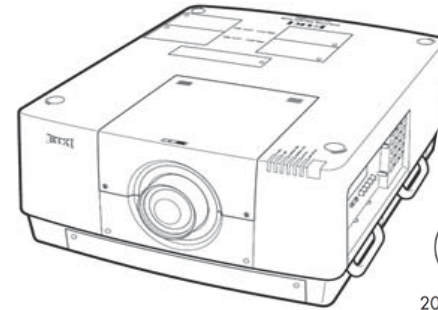


# LC-XT6

16,000 ANSI Lumens / XGA  
Theater Series Projector

Vivid Color with 3LCD+One Imaging  
High Contrast from Durable Inorganic LCD Panels



200-240V AC  
NEMA 6-20P

(Shown with optional lens)

## LC-XT6

16,000 ANSI lumens bright with 90% uniformity and a 2500:1 contrast ratio.  
Native XGA resolution. Compatible with inputs up-to UXGA and WUXGA.  
Supports analog and digital video input in all color standards.  
3LCD+One imaging system delivers more sophisticated color.  
10-bit color processing, for superior color reproduction.  
Supplied without lens. Range of power zoom and focus lenses available.  
Bi-directional Vertical & Horizontal power lens shift, keystone and corner correction.  
Accepts composite, component, and S-Video in all major standards.  
Compatible with AMX Device Discovery System.  
DVI-D (with HDCP) and HDMI® inputs support digital computer and video.  
Built-in wired LAN connection for projector monitoring and control.  
Color Matching and Edge Blending functions.  
Mechanical shutter for true black screen. 2, 3, and 4 lamp operation.  
Pleated air filter (up-to 5,000 hours). Optional smoke filter.  
Four hot-swappable lamps. Half inch (1.2cm) steel plate chassis.  
3 year projector warranty.

**Included Accessories:** Quick Start Guide, Owner's Manual on CD-ROM, Network Software on CD-ROM, Color Management Software on CD-ROM, Power Cord, Power Cord Clamp, Lens Attachment, Lens Light Block Sheets x 3, Lens Spacers x 3, Lens Safety Clamps x 2, VGA Computer Input Cable (Dsub15 to Dsub15), Wireless/Wired Remote Control (with 2 AAA Batteries), Wired Remote Cable (MiniStereo-MiniStereo).

**Optional Accessories:** Replacement Lamps, Wideangle, Midrange and Telephoto Lenses, Additional DVI-D & Dsub15 Input Module, Additional 5BNC & S-Video Input Module, HD/SD-SDI Input Module, Dual-Link SDI Input Module, Replacement Air Filter, Smoke Resistant Filter, ATA-Style Shipping Case with Wheels and Telescoping Handle, Ceiling Mount, Ceiling Post & Plate.

## SPECIFICATIONS: Model LC-XT6

Brightness	up-to 16,000 ANSI Lumens (with AH-22051 lens)	Video Formats	NTSC / PAL / SECAM / NTSC 4.43 / PAL-M&N
Contrast Ratio	up-to 2500:1	Image Signal Resizing	Smart Scaling Technology
Illumination Uniformity (corner to center)	90%	Video Input Analog	480i/p, 575i/p, 720p, 1035i, 1080i
Resolution and Aspect Ratio	XGA (1024 x 768), 4:3	Video Input Digital	480i/p, 575i/p, 720p, 1035i, 1080i/p
Color Reproduction	10-bit (1.07 billion colors)	Image Signal Inputs	
Projection Lamp	380 Watts NSHA x 4	1a. Computer	Dsub15 x 1
Estimated Lamp Life	up-to 3,000 Hours	1b. DVI-D (with HDCP)	DVI-D x 1
Imaging System	1.8 in (45 mm) Inorganic LCD Panels x 3 with proprietary Color Control Device	1c. HDMI 1.3 with Deep Color	HDMI x 1
Total Pixels	2,359,296 ((1024x768) x 3)	2a. Analog Video (RGBHV)	BNC x 5
Scanning Frequency	Auto: H: 15-120 kHz; V: 48-120 Hz	Component Video (Y, Pb/Cb, Pr/Cr), 3BNC	
Pixel Clock	up-to 230 MHz	Composite Video, 1BNC	
Lens	Changeable - Does not come with Lens	2b. S-Video	S-Video x 1
Image Diagonal	100 - 600 in (254 - 1,524 cm)	3. Unpopulated Module Bay	
Image Width	7.4 - 44.2 ft (2.2 - 13.5 m)	4. Unpopulated Module Bay	
Throw Distance	See specifications of selected lens	Fan Noise	as low as 48 dBA
Projector Elevation Adjustment (legs)	up-to 3° Up or Down	Cabinet Size (HxWxD)	13.7 x 25.6 x 32.1 in (34.9 x 65.0 x 81.5 cm)
Maximum Pitch	up-to 360°	Weight	102.5 lb (46.5 kg)
Vertical Lens Shift (% of image height)	up-to 50% Up or Down	Packaged Size (HxWxD)	21.3 x 33.3 x 37.4 in (54.2 x 84.6 x 95.1 cm)
Horizontal Lens Shift (% of image width)	up-to 10% Left or Right	Packaged Weight	125.7 lb (57.0 kg)
Vertical Keystone Correction	Digital: up-to 40° Up or Down	Power Requirements	200-240V AC, 50/60 Hz
Horizontal Keystone Correction	Digital: up-to 40° Left or Right	Power Consumption	up-to 1,850 W
Image Orientation	Normal, Reversed, Inverted	Heat	up-to 6,986 BTU/hr
Local Control / Power Management	Full Function / Auto Shutdown	Power Cord	approx. 10 ft (3 m) NEMA 6-20P, Detachable
Remote Projector Control	Wireless/Wired x 1	Electrical Safety Compliance	IEC / UL / cUL
Wired Remote Control Port	MiniStereo x 1	Electromagnetic Compatibility	FCC Class A, CE Mark
RS232 Control Ports (In & Out)	Dsub9 x 2	Operating Temperature	41-104°F (5-40°C)
LAN Port	RJ45 x 1	Security Facilities	Steel Plate Chassis & Integrated Handles, More
Service Port	USB-B x 1	Air Filter	up-to 5,000 Hours
Computer Input in Pixels	up-to 1600x1200 (4:3), 1920x1200 (16:10)	User Maintenance	Replace Filters, Change Lamps
Analog 4x3 Inputs	UXGA, SXGA+, SXGA, XGA, SVGA, VGA, MAC	UPC	4571194676020
Analog Wide Inputs	WXGA+, WXGA	Limited Warranty: to the original end-use customer only	
Digital 4x3 Inputs	SXGA+, SXGA, XGA, SVGA, VGA	Projector	3 years
Digital Wide Inputs	WUXGA, WSXGA+, WXGA+, WXGA	Lamp	6 months ownership / 500 hours use (whichever occurs first)

Lamp contains Mercury. Do not put in trash. Dispose of as Hazardous Waste, according to Local, State or Federal Laws.

EIKI<sup>®</sup> is a registered trademark of Eiki International, Inc. HDMI is a registered trademark of HDMI Licensing LLC.

Specifications subject to change without notice. ©2013 Eiki International, Inc. Issued Jan. 25, 2013  
Eiki International, Inc., 30251 Esperanza, Rancho Santa Margarita, CA 92688-2132. Tel: 800-242-3454; Fax: 800-457-3454, E-mail: usa@eiki.com  
In Canada: 9170 County Rd. 93, Suite 304, Midland, ON L4R 4K4. Tel: 800-563-3454, E-mail: canada@eiki.com  
Visit our website: <http://www.eiki.com>