

**EXPAND SERIAL COMMAND  
FUNCTIONAL SPECIFICATIONS**

**EIKI**

**LC-XT6**

Ver.1.0

## CONTENTS

<b>1.</b>	<b>Overview .....</b>	<b>10</b>
<b>2.</b>	<b>Serial Interface Specification .....</b>	<b>10</b>
	<b>2.1 Transfer Specification .....</b>	<b>10</b>
	<b>2.2 Connection .....</b>	<b>10</b>
<b>3.</b>	<b>Notes for communication .....</b>	<b>11</b>
<b>4.</b>	<b>Notation .....</b>	<b>12</b>
<b>5.</b>	<b>Functional Execution Command Table .....</b>	<b>13</b>
	<b>5.1 Image Command Table .....</b>	<b>13</b>
	<b>5.2 PC Control Command Table .....</b>	<b>13</b>
	<b>5.3 Input Control Command Table .....</b>	<b>14</b>
	<b>5.4 Screen Command Table .....</b>	<b>14</b>
	<b>5.5 Lamp Command Table .....</b>	<b>14</b>
	<b>5.6 Setting Command Table .....</b>	<b>14</b>
	<b>5.7 Other Command Table .....</b>	<b>16</b>
<b>6.</b>	<b>Status Read Command Table .....</b>	<b>17</b>
	<b>6.1 Image Status Read Command Table .....</b>	<b>17</b>
	<b>6.2 PC Status Read Command Table .....</b>	<b>17</b>
	<b>6.3 Video Status Read Command Table .....</b>	<b>17</b>
	<b>6.4 Input Status Read Command Table .....</b>	<b>17</b>
	<b>6.5 Screen Status Read Command Table .....</b>	<b>18</b>
	<b>6.6 Lamp Status Read Command Table .....</b>	<b>18</b>
	<b>6.7 Setting Status Read Command Table .....</b>	<b>19</b>
	<b>6.8 Other Status Read Command Table .....</b>	<b>20</b>
<b>7.</b>	<b>Error Code Table .....</b>	<b>20</b>
<b>8.</b>	<b>Functional Execution Command .....</b>	<b>21</b>
	<b>8.1 Format .....</b>	<b>21</b>
	<b>8.2 Transfer Example .....</b>	<b>21</b>
	<b>8.3 Operation Requirements .....</b>	<b>21</b>
	<b>8.4 Image Command .....</b>	<b>22</b>
	<b>8.4.1 CF_ CONT Command .....</b>	<b>22</b>
	<b>8.4.2 CF_ BRIGHT Command .....</b>	<b>22</b>
	<b>8.4.3 CF_ COLOR Command .....</b>	<b>22</b>
	<b>8.4.4 CF_ TINT Command .....</b>	<b>22</b>
	<b>8.4.5 CF_ COLMNSAV Command .....</b>	<b>23</b>
	<b>8.4.6 CF_ COLMNL Command .....</b>	<b>23</b>
	<b>8.4.7 CF_ APCTRL Command .....</b>	<b>23</b>
	<b>8.4.8 CF_ COLTEMP Command .....</b>	<b>23</b>
	<b>8.4.9 CF_ WBAL- Command .....</b>	<b>24</b>
	<b>8.4.10 CF_ OFFSET- Command .....</b>	<b>24</b>

8.4.11 CF_SHARP Command .....	24
8.4.12 CF_GAMMA Command .....	25
8.4.13 CF_NZRED Command .....	25
8.4.14 CF_PROGV Command .....	25
8.4.15 CF_IMAGE Command .....	26
8.4.16 CF_IMAGEADJ Command .....	26
8.4.17 CF_ADVCOL Command .....	27
8.5 PC Control Command .....	28
8.5.1 CF_FSYNC Command .....	28
8.5.2 CF_TDOTS Command .....	28
8.5.3 CF_H-POS Command .....	28
8.5.4 CF_V-POS Command .....	29
8.5.5 CF_CLAMP Command .....	29
8.5.6 CF_DDOTS Command .....	29
8.5.7 CF_DLINE Command .....	30
8.5.8 CF_ORGMODE Command .....	30
8.5.9 CF_PCSTORE Command .....	31
8.5.10 CF_PCMODEFREE Command .....	31
8.6 Input Control Command .....	32
8.6.1 CF_INPUT Command .....	32
8.6.2 CF_SOURCE Command .....	32
8.6.3 CF_INPUT1~4 Command .....	32
8.6.4 CF_SYSTEM Command .....	33
8.7 Screen Control Command .....	35
8.7.1 CF_SCREEN Command .....	35
8.7.2 CF_DZCENT Command .....	35
8.7.3 CF_KEYSTONE Command .....	36
8.7.4 CF_CORNER-UL Command .....	36
8.7.5 CF_CORNER-UR Command .....	36
8.7.6 CF_CORNER-DL Command .....	37
8.7.7 CF_CORNER-DR Command .....	37
8.7.8 CF_CORNERTESTPAT Command .....	37
8.7.9 CF_KYSTNMODE Command .....	37
8.7.10 CF_CEIL Command .....	38
8.7.11 CF_REAR Command .....	38
8.7.12 CF_VSCALE Command .....	38
8.7.13 CF_VPOS Command .....	39
8.7.14 CF_HSCALE Command .....	39
8.7.15 CF_HPOS Command .....	40
8.8 Lamp Command .....	41

8.8.1 CF_LAMPMODE Command .....	41
8.8.2 CF_AUTOLAMPCTRL Command .....	41
8.8.3 CF_LAMPINTERVAL Command .....	41
8.9 Setting Command .....	42
8.9.1 CF_LANG Command .....	42
8.9.2 CF_MENUPOSITION Command .....	42
8.9.3 CF_DISP Command .....	42
8.9.4 CF_BACKGND Command .....	42
8.9.5 CF_EDGEBLENDING Command .....	43
8.9.6 CF_BLEND Command .....	43
8.9.7 CF_BLENDSTART Command .....	43
8.9.8 CF_BLENDBLK Command .....	44
8.9.9 CF_BLENDBLKALL Command .....	44
8.9.10 CF_BLENDTESTPAT Command .....	44
8.9.11 CF_BLENDRST Command .....	44
8.9.12 CF_BLENDMENUOFF Command .....	44
8.9.13 CF_BLENDMENU Command .....	45
8.9.14 CF_COLORMATCHING Command .....	45
8.9.15 CF_CMMSXY Command .....	45
8.9.16 CF_CMMSL Command .....	45
8.9.17 CF_CMTGXY Command .....	46
8.9.18 CF_CMTGG Command .....	46
8.9.19 CF_CMAUTOTESTPAT Command .....	46
8.9.20 CF_CMRST Command .....	46
8.9.21 CF_CMSTORE Command .....	47
8.9.22 CF_CMMSTESTPAT Command .....	47
8.9.23 CF_CMTGTESTPAT Command .....	47
8.9.24 CF_CMFDEFAULT Command .....	47
8.9.25 CF_CMMENUOFF Command .....	47
8.9.26 CF_CMMENU Command .....	48
8.9.27 CF_HDMISETUP Command .....	48
8.9.28 CF_LOGO Command .....	48
8.9.29 CF_FANSPEED Command .....	49
8.9.30 CF_RCODE Command .....	49
8.9.31 CF_RSENS Command .....	49
8.9.32 CF_P-MANE Command .....	49
8.9.33 CF_P-MANETIME Command .....	50
8.9.34 CF_ON-STA Command .....	50
8.9.35 CF_KEYDIS Command .....	50
8.9.36 CF_PJPINCODE Command .....	50

8.9.37 CF_SHUTRCPROT Command.....	51
8.9.38 CF_SHUTKEYPROT Command .....	51
8.9.39 CF_SHUTH Command.....	51
8.9.40 CF_SHUTEFFECT Command.....	51
8.9.41 CF_SHUTRELEASE Command.....	52
8.9.42 CF_DELAYCTRL Command .....	52
8.9.43 CF_CCAPTIONDISP Command .....	52
8.9.44 CF_CCAPTIONCOLOR Command.....	52
8.9.45 CF_FILH Command .....	53
8.9.46 CF_FILTERTIMER Command.....	53
8.9.47 CF_FILTERTYPE Command.....	53
8.9.48 CF_PTIMEMODE Command.....	53
8.9.49 CF_PTIMER Command.....	53
8.9.50 CF_PTIME Command .....	54
8.9.51 CF_TESTPAT Command.....	54
8.9.52 CF_FDEFAULT Command.....	54
8.10 Other Command.....	55
8.10.1 CF_KEYEMU Command .....	55
8.10.2 CF_MENU Command.....	55
8.10.3 CF_POWER Command.....	56
8.10.4 CF_FREEZE Command .....	56
8.10.5 CF_VMUTE Command.....	56
9. Status Read Command .....	57
9.1 Format.....	57
9.2 Transfer Example .....	57
9.3 Operation condition .....	57
9.4 Image Status Read Commands.....	58
9.4.1 CR_CONT Command.....	58
9.4.2 CR_BRIGHT Command .....	58
9.4.3 CR_COLOR Command .....	58
9.4.4 CR_TINT Command.....	58
9.4.5 CR_APCTRL Command .....	58
9.4.6 CR_COLTEMP Command.....	59
9.4.7 CR_WBAL-R Command .....	59
9.4.8 CR_WBAL-G Command .....	59
9.4.9 CR_WBAL-B Command .....	59
9.4.10 CR_OFFSET-R Command .....	59
9.4.11 CR_OFFSET-G Command .....	59
9.4.12 CR_OFFSET-B Command .....	60
9.4.13 CR_SHARP Command .....	60

9.4.14 CR_GAMMA Command .....	60
9.4.15 CR_NZRED Command .....	60
9.4.16 CR_PROGV Command .....	60
9.4.17 CR_IMAGE Command .....	61
9.4.18 CR_IMGGMD Command .....	61
9.4.19 CR_ADVCOL Command .....	61
9.5 PC Status Read Commands .....	62
9.5.1 CR_FSYNC Command .....	62
9.5.2 CR_TDOTS Command .....	62
9.5.3 CR_H-POS Command .....	62
9.5.4 CR_V-POS Command .....	62
9.5.5 CR_CLAMP Command .....	63
9.5.6 CR_DDOTS Command .....	63
9.5.7 CR_DLINE Command .....	63
9.5.8 CR_ORGMODE Command .....	64
9.5.9 CR_PCSTORE Command .....	64
9.6 Video Status Read Command .....	65
9.6.1 CR_SERSYS Command .....	65
9.7 Input Read Command .....	66
9.7.1 CR_INPUT Command .....	66
9.7.2 CR_SOURCE Command .....	66
9.7.3 CR_SYSTEM Command .....	67
9.7.4 CR_SYSLIST Command .....	68
9.7.5 CR_MODELIST Command .....	69
9.7.6 CR_SRCINP1 Command .....	69
9.7.7 CR_SRCINP2 Command .....	69
9.7.8 CR_SRCINP3 Command .....	69
9.7.9 CR_SRCINP4 Command .....	70
9.7.10 CR_HMSLOT Command .....	70
9.7.11 CR_NMSLOT1 Command .....	70
9.7.12 CR_NMSLOT2 Command .....	70
9.7.13 CR_NMSLOT3 Command .....	70
9.7.14 CR_NMSLOT4 Command .....	70
9.7.15 CR_IDSLOT1 Command .....	71
9.7.16 CR_IDSLOT2 Command .....	71
9.7.17 CR_IDSLOT3 Command .....	71
9.7.18 CR_IDSLOT4 Command .....	71
9.8 Screen Status Read Commands .....	72
9.8.1 CR_SCREEN Command .....	72
9.8.2 CR_KYSTNMODE Command .....	72

9.8.3 CR_CORNERTESTPAT Command.....	72
9.8.4 CR_CEIL Command.....	72
9.8.5 CR_REAR Command.....	72
9.8.6 CR_VSCALE Command.....	73
9.8.7 CR_VPOS Command.....	73
9.8.8 CR_HSCALE Command.....	73
9.8.9 CR_HPOS Command.....	73
9.9 Lamp Status Read Commands.....	74
9.9.1 CR_LAMPREPL Command.....	74
9.9.2 CR_LAMPMODE Command.....	74
9.9.3 CR_AUTOLAMPCTRL Command.....	74
9.9.4 CR_LAMPSTS Command.....	74
9.9.5 CR_INFLAMP Command.....	75
9.9.6 CR_PROJH Command.....	75
9.9.7 CR_HMLAMP Command.....	75
9.9.8 CR_LAMPH Command.....	75
9.9.9 CR_LAMPCORRESPH Command.....	76
9.9.10 CR_LAMPINTERVAL Command.....	76
9.10 Setting Status Read Commands.....	77
9.10.1 CR_LANG Command.....	77
9.10.2 CR_DISP Command.....	77
9.10.3 CR_BACKGND Command.....	77
9.10.4 CR_EDGEBLENDING Command.....	77
9.10.5 CR_BLEND Command.....	78
9.10.6 CR_BLENDSTART Command.....	78
9.10.7 CR_BLENDBLK Command.....	78
9.10.8 CR_BLENDTESTPAT Command.....	79
9.10.9 CR_COLORMATCHING Command.....	79
9.10.10 CR_CMMSXY_%1 Command.....	79
9.10.11 CR_CMMSL_%1 Command.....	79
9.10.12 CR_CMTGXY_%1 Command.....	80
9.10.13 CR_CMTGG_%1 Command.....	80
9.10.14 CR_CMAUTOTESTPAT Command.....	80
9.10.15 CR_CMMSTESTPAT Command.....	80
9.10.16 CR_CMTGTESTPAT Command.....	81
9.10.17 CR_HDMISETUP Command.....	81
9.10.18 CR_LOGO Command.....	81
9.10.19 CR_LOGOLOCK Command.....	81
9.10.20 CR_FANSPEED Command.....	81
9.10.21 CR_RCODE Command.....	82

9.10.22 CR_RSENS Command.....	82
9.10.23 CR_P-MANE Command.....	82
9.10.24 CR_P-MANETIME Command .....	82
9.10.25 CR_ON-STA Command.....	82
9.10.26 CR_KEYDIS Command.....	83
9.10.27 CR_SECURITY Command.....	83
9.10.28 CR_PJLOCKNOW Command.....	83
9.10.29 CR_PJLOCKMENU Command .....	83
9.10.30 CR_SHUTRCPROT Command .....	83
9.10.31 CR_SHUTKEYPROT Command .....	84
9.10.32 CR_SHUTH Command.....	84
9.10.33 CR_SHUTEFFECT Command .....	84
9.10.34 CR_SHUTRELEASE Command .....	84
9.10.35 CR_DELAYCTRL Command.....	84
9.10.36 CR_CCAPTIONSIDP Command .....	85
9.10.37 CR_CCAPTIONCOLOR Command .....	85
9.10.38 CR_FILH Command.....	85
9.10.39 CR_FILCOND Command.....	85
9.10.40 CR_FILREPL Command .....	85
9.10.41 CR_FILREMAIN Command .....	86
9.10.42 CR_FILTIMER Command.....	86
9.10.43 CR_FILTYPE Command.....	86
9.10.44 CR_PTIMEMODE Command .....	86
9.10.45 CR_PTIMER Command .....	86
9.10.46 CR_PTIME Command .....	87
9.10.47 CR_TESTPAT Command .....	87
9.11 Other Status Read Commands.....	88
9.11.1 CR_STATUS Command .....	88
9.11.2 CR_SIGNAL Command.....	88
9.11.3 CR_VMUTE Command.....	88
9.11.4 CR_FREEZE Command.....	88
9.11.5 CR_TEMPFAIL Command.....	89
9.11.6 CR_TEMP Command .....	90
9.11.7 CR_SHUTCOND Command.....	90
9.11.8 CR_OPTCTRLNO Command.....	90
10. Command with Address Specification .....	91
10.1. Overview .....	91
10.2. Functional Execution Command with address.....	91
10.2.1. Format.....	91
10.2.2. When the command pipelining is needed.....	92



<b>10.3. Status Read Command with Address</b> .....	92
<b>10.3.1. Format</b> .....	92

## 1. Overview

- This Functional Specification defines communication for LC-XT6.
- Most commands are also available to remote-control a projector through RS-232C from a computer. Therefore, commands are defined as Expand Serial Commands.
- The operation by some commands depends on Optional Board installed in Input Slot of the projector.
- This document assumes that Option Boards are installed.

## 2. Serial Interface Specification

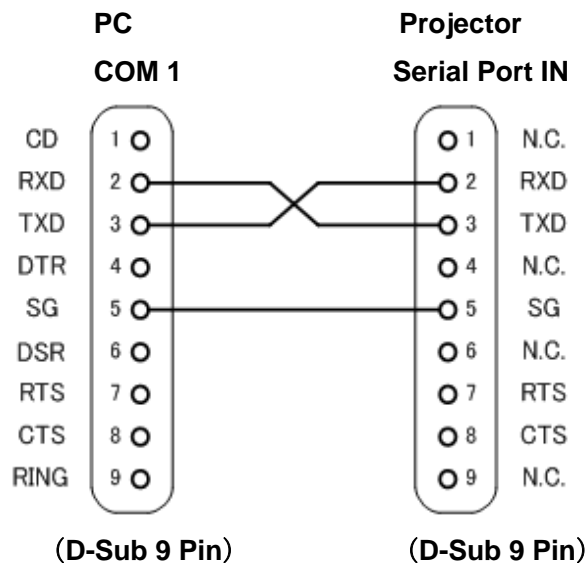
### 2.1 Transfer Specification

Items	Specification
Synchronous System	Asynchronous
Transmission Speed	9600 / 19200
Data Length	8 bit
Parity	N/A
Stop Bit	1
Flow Control	N/A

- 1) Transmission Speed: initial setting value is 19200
- 2) Transmission Speed can be changed in Service Mode
- 3) Transmission speed is fixed to 9600 when the [AMX D.D] function is ON.

### 2.2 Connection

Dedicated serial cables that come with a projector must be used for the connection between a computer and the projector.



Connect COM port of the computer to SERIAL PORT IN of the projector.

COM Port (COM1 or COM2) of a computer is specified by control software of the computer.

### 3. Notes for communication

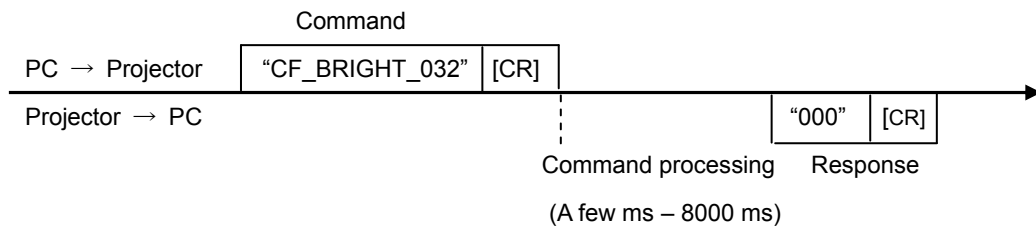
- Expand Serial Command is defined as a single command per line that starts with “C” and ends with carriage return (0x0D).
- When a projector receives carriage return (0x0D), it starts decoding.
- There are two types of commands as below:

Example of Functional Execution Command: “CF\_BRIGHT\_032” [CR]

Example of Status Read Command: “CR\_BRIGHT” [CR]

Note) “\_” indicates a space

- It clears the information of buffer in the following cases:
  - when the projector receives LF (0x0A) or EOF (0x1A).
  - when it takes more than one second to receive a single command  
(Until receiving the carriage return after the reception of the first data)
- The projector processes the command and returns the response within a few ms to 8000 ms after the reception of the command. When several commands are sent in succession, do not send another command unless the response to the previous command has been returned. Need to confirm that the processing of the current command has been completed and returned the response before sending another command.



Note) when the computer sends another command before the previous response has been returned, the projector may not operate properly.

Note) when the current command processing has not completed, another command process can not be accepted by the projector

- Normally it is less than 1000ms for the completion of receiving a command and returning the response, but it takes more than 1000ms for some Functional Execution Commands as listed below:

Command	Item
CF_IMAGE	Select Image Mode
CF_INPUT	Select Input
CF_SCREEN	Select Screen Size
CF_SYSTEM	Select System
CF_INPUT1	Select Input 1 and Signal (concurrent execution)
CF_INPUT2	Select Input 2 and Signal (concurrent execution)
CF_INPUT3	Select Input 3 and Signal (concurrent execution)
CF_INPUT4	Select Input 4 and Signal (concurrent execution)
CF_IMAGEADJ	Reset/Store for Image Adjustment

- It takes about 8 seconds for internal initialization after plugging in AC power. During this time it cannot process commands. Do not issue any command.

#### 4. Notation

- Data from a controller to a projector is represented as COMMAND, and data from a projector to a controller in response to the incoming command is represented as RESPONSE.
- [CR]: Carriage Return Code  
The command ends with carriage return code.  
The response also ends with carriage return code.
- \_ : Space Code  
All space code is indicated by (\_).
- %1: Parameter included in command  
When there is more than one parameter, they are represented as %2, %3...

## 5. Functional Execution Command Table

### 5.1 Image Command Table

Execute command	Item
CF_CONT_%1[CR]	Set value of Contrast
CF_BRIGHT_%1[CR]	Set value of Brightness
CF_COLOR_%1[CR]	Set value of Color
CF_TINT_%1[CR]	Set value of Tint
CF_COLMNSAV_%1[CR]	Set area to store current values of Color Management
CF_COLMNLD_%1[CR]	Set area to load values of Color Management
CF_APCTRL_%1[CR]	Set level of Auto Picture Control
CF_COLTEMP_%1[CR]	Set level of Color Temperature
CF_WBAL-R_%1[CR]	Set Red value of White Balance
CF_WBAL-G_%1[CR]	Set Green value of White Balance
CF_WBAL-B_%1[CR]	Set Blue value of White Balance
CF_OFFSET-R_%1 [CR]	Set Red value of Offset
CF_OFFSET-G_%1 [CR]	Set Green value of Offset
CF_OFFSET-B_%1 [CR]	Set Blue value of Offset
CF_SHARP_%1[CR]	Set value of Sharpness
CF_GAMMA_%1[CR]	Set value of Gamma
CF_NZRED_%1[CR]	Set ON/OFF of Noise reduction
CF_PROGV_%1[CR]	Set mode of Progressive scan
CF_IMAGE_%1[CR]	Set Image mode
CF_IMAGEADJ_%1[CR]	Set Store/Reset of values in Image Adjustment
CF_ADVCOL_%1[CR]	Set mode of Advanced color setting

### 5.2 PC Control Command Table

Execute command	Item
CF_FSYNC_%1[CR]	Set value of Fine Sync
CF_TDOTS_%1[CR]	Set value of Total Dots
CF_CLAMP_%1[CR]	Set value of Clamp
CF_H-POS_%1[CR]	Set value of Horizontal Position
CF_V-POS_%1[CR]	Set value of Vertical Position
CF_DDOTS_%1[CR]	Set value of Display Dots
CF_DLINE_%1[CR]	Set value of Display Line
CF_ORGMODE_%1[CR]	Specify the original signal for the selected PC mode
CF_PCSTORE_%1[CR]	Store current setting values in PC Adjust menu to Mode %1
CF_PCMODEFREE_%1 [CR]	Delete the values registered in Mode %1 and return it to Free status.

### 5.3 Input Control Command Table

Execute command	Item
CF_INPUT_%1[CR]	Select Input
CF_SOURCE_%1[CR]	Select Source of selected Input
CF_INPUT1_%1[CR]	Select Input1 and also set input source to %1
CF_INPUT2_%1[CR]	Select Input2 and also set input source to %1
CF_INPUT3_%1[CR]	Select Input3 and also set input source to %1
CF_INPUT4_%1[CR]	Select Input4 and also set input source to %1
CF_SYSTEM_%1[CR]	Select System in Video input mode

### 5.4 Screen Command Table

Execute command	Item
CF_SCREEN_%1[CR]	Select Screen size
CF_VSCALE_%1[CR]	Set V Scale
CF_VPOS_%1[CR]	Set V Position
CF_HSCALE_%1[CR]	Set H Scale
CF_HPOS_%1[CR]	Set H Position
CF_DZCENT_%1[CR]	Cancel Digital Zoom mode
CF_KEystone_%1[CR]	Set Keystone correction
CF_KYSTNMODE_%1 [CR]	Set Keystone store mode
CF_CORNER-UL_%1[CR]	Correct top-left corner
CF_CORNER-UR_%1[CR]	Correct top-right corner
CF_CORNER-DL_%1[CR]	Correct bottom-left corner
CF_CORNER-DR_%1[CR]	Correct bottom-right corner
CF_CORNERTESTPAT_%1[CR]	Select test pattern for Corner correction.
CF_CEIL_%1[CR]	Set ON/OFF of Ceiling
CF_REAR_%1[CR]	Set ON/OFF of Rear

### 5.5 Lamp Command Table

Execute command	Item
CF_LAMPMODE_%1[CR]	Select lamp mode
CF_AUTOLAMPCTRL_%1[CR]	Switch dimmer function levels of Normal/Auto/Eco
CF_LAMPINTERVAL_%1[CR]	Set Lamp interval

### 5.6 Setting Command Table

Execute command	Item
CF_LANG_%1[CR]	Select language for OSD
CF_MENUPOSITION_%1[CR]	Control of Menu position
CF_DISP_%1[CR]	Set ON/OFF of On Screen Display
CF_BACKGND_%1[CR]	Select screen for no signal
CF_EDGEBLENDING_%1[CR]	Set Edge blending
CF_BLEND_%1_%2[CR]	Set the value of Width for Edge blending
CF_BLENDSTART_%1_%2[CR]	Set the value of Start (Left/Right/Top/Bottom) for Edge blending
CF_BLENDBLK_%1_%2[CR]	Set Black level(R/G/B) for Edge blending
CF_BLENDBLKALL_%1_%2[CR]	Set Black level(ALL) for Edge blending
CF_BLENDTESTPAT_%1[CR]	Set Test pattern for Edge blending
CF_BLENDRST_%1[CR]	Reset Edge blending

<b>CF_BLENDMENUOFF_%1[CR]</b>	Set Menu off function in Edge blending
<b>CF_BLENDMENU_%1[CR]</b>	Select display or erase Edge blending menu.
<b>CF_COLORMATCHING_%1[CR]</b>	Set Color matching
<b>CF_CMMSXY_%1_%2_%3[CR]</b>	Set “x,y” value of Measured for Color matching
<b>CF_CMMSL_%1_%2[CR]</b>	Set “L” value of Measured for Color matching
<b>CF_CMTGXY_%1_%2_%3[CR]</b>	Set “x,y” value of Target for Color matching
<b>CF_CMTGG_%1_%2[CR]</b>	Set “g” value of Target for Color matching
<b>CF_CMAUTOTESTPAT_%1[CR]</b>	Set Auto test pattern for Color matching
<b>CF_CMRST_%1[CR]</b>	Reset Color matching
<b>CF_CMSTORE_%1[CR]</b>	Store Color matching
<b>CF_CMMSTESTPAT_%1[CR]</b>	Display Measured Test pattern for Color matching
<b>CF_CMTGTESTPAT_%1[CR]</b>	Display Target Test pattern for Color matching
<b>CF_CMFDEFAULT_%1[CR]</b>	Return the value of Color matching to Factory Default settings.
<b>CF_CMMENUOFF_%1[CR]</b>	Set Menu off function in Color matching
<b>CF_CMMENU_%1[CR]</b>	Select display or erase Color matching menu
<b>CF_HDMISETUP_%1[CR]</b>	Set HDMI setup
<b>CF_LOGO_%1[CR]</b>	Set ON/OFF of Logo
<b>CF_FANSPEED_%1[CR]</b>	Select Fan Speed
<b>CF_RCODE_%1[CR]</b>	Select Remote Control Code
<b>CF_RSNS_%1[CR]</b>	Select location of infrared remote receiver of remote control
<b>CF_P-MANE_%1[CR]</b>	Set ON/OFF of Power Management
<b>CF_P-MANETIME_%1[CR]</b>	Set time of Power Management
<b>CF_ON-STA_%1[CR]</b>	Set Direct on function
<b>CF_KEYDIS_%1[CR]</b>	Set limitation of RC/KEY control
<b>CF_PJPINCODE_%1[CR]</b>	Enter PJ PIN code to cancel PJ lock
<b>CF_SHUTRCPROT_%1[CR]</b>	Set valid / invalid of RC use on Shutter control function
<b>CF_SHUTKEYPROT_%1[CR]</b>	Set valid / invalid use of key on the side panel on Shutter control function
<b>CF_SHUTH_%1[CR]</b>	Set time of operating shutter management function
<b>CF_SHUTEFFECT_%1[CR]</b>	Set effect when opening/closing shutter
<b>CF_SHUTRELEASE_%1[CR]</b>	Set release key of Shutter
<b>CF_CCAPTIONDISP_%1[CR]</b>	Set channel of Closed caption
<b>CF_CCAPTIONCOLOR_%1[CR]</b>	Set color of Closed caption
<b>CF_FILH_%1[CR]</b>	Reset Filter used time
<b>CF_FILTIMER_%1[CR]</b>	Set time to display Filter cleaning / replacement warning on screen
<b>CF_FILCTL_%1[CR]</b>	Schedule filter cleaning task
<b>CF_FILTYPE_%1[CR]</b>	Set type of filter
<b>CF_PTIMEMODE_%1[CR]</b>	Set count up / count down in P-timer function
<b>CF_PTIMER_%1[CR]</b>	Set the status of P-timer
<b>CF_PTIME_%1[CR]</b>	Set the time for count down mode in P-timer function
<b>CF_TESTPAT_%1[CR]</b>	Set Test pattern display function
<b>CF_FDEFAULT_%1[CR]</b>	Return the settings to Factory Default status

**5.7 Other Command Table**

<b>Execute command</b>	<b>Item</b>
<b>CF_KEYEMU_%1[CR]</b>	Control RC/Panel key operation of Pointer(Right/Left/Top/Bottom)/SELECT/AUTO PC
<b>CF_MENU_%1[CR]</b>	Set ON/OFF of Menu
<b>CF_POWER_%1[CR]</b>	Set ON/OFF of Power
<b>CF_FREEZE_%1[CR]</b>	Set ON/OFF of Freeze
<b>CF_VMUTE_%1[CR]</b>	Control Open/Close of Shutter



## 6. Status Read Command Table

### 6.1 Image Status Read Command Table

Status read command	Item
CR_CONT [CR]	Get value of Contrast
CR_BRIGHT [CR]	Get value of Brightness
CR_COLOR [CR]	Get value of Color
CR_TINT [CR]	Get value of Tint
CR_APCTRL	Get setting status of Auto Picture Control
CR_COLTEMP	Get value of Color temperature
CR_WBAL-R [CR]	Get Red value of White Balance
CR_WBAL-G [CR]	Get Green value of White Balance
CR_WBAL-B [CR]	Get Blue value of White Balance
CR_OFFSET-R [CR]	Get Offset Red
CR_OFFSET-G [CR]	Get Offset Green
CR_OFFSET-B [CR]	Get Offset Blue
CR_SHARP [CR]	Get value of Sharpness
CR_GAMMA [CR]	Get value of Gamma
CR_NZRED [CR]	Get setting status of Noise reduction
CR_PROGV [CR]	Get setting status of Progressive scan
CR_IMAGE [CR]	Get Selected Image status
CR_IMGGMD [CR]	Get setting value of Image Gamma
CR_ADVCOL [CR]	Get setting status of Advanced color

### 6.2 PC Status Read Command Table

Status read command	Item
CR_FSYNC [CR]	Get setting value of Fine Sync
CR_TDOTS [CR]	Get setting value of Total Dots
CR_CLAMP [CR]	Get setting value of Clamp
CR_H-POS [CR]	Get setting value of Horizontal Position
CR_V-POS [CR]	Get setting value of Vertical Position
CR_DDOTS [CR]	Get setting value of Display Dots
CR_DLINE [CR]	Get setting value of Display Line
CR_ORGMODE [CR]	Get the original signal of the mode adjusted in PC Adj.
CR_PCSTORE [CR]	Get Free or Stored status for PC Adj. Mode 1-10

### 6.3 Video Status Read Command Table

Status read command	Item
CR_SERSYS [CR]	Get currently selected signal. In Auto mode, it returns a result by Auto detection.

### 6.4 Input Status Read Command Table

Status read command	Item
CR_INPUT [CR]	Get selected Input
CR_SOURCE [CR]	Get selected Source
CR_SYSTEM [CR]	Get selected System in Video Input mode
CR_SYSLIST[CR]	Get possible system list
CR-MODELIST[CR]	Get possible mode list

<b>CR_SRCINP1 [CR]</b>	Get selected source for Input 1
<b>CR_SRCINP2 [CR]</b>	Get selected source for Input 2
<b>CR_SRCINP3 [CR]</b>	Get selected source for Input 3
<b>CR_SRCINP4 [CR]</b>	Get selected source for Input 4
<b>CR_HMSLOT [CR]</b>	Get the total number of Slots
<b>CR_NMSLOT1 [CR]</b>	Get a card name inserted to Slot 1
<b>CR_NMSLOT2 [CR]</b>	Get a card name inserted to Slott2
<b>CR_NMSLOT3 [CR]</b>	Get a card name inserted to Slot 3
<b>CR_NMSLOT4 [CR]</b>	Get a card name inserted to Slot 4
<b>CR_IDSLOT1 [CR]</b>	Get ID information of Slot 1
<b>CR_IDSLOT2 [CR]</b>	Get ID information of Slot 2
<b>CR_IDSLOT3 [CR]</b>	Get ID information of Slot 3
<b>CR_IDSLOT4 [CR]</b>	Get ID information of Slot 4

### 6.5 Screen Status Read Command Table

<b>Status read command</b>	<b>Item</b>
<b>CR_SCREEN [CR]</b>	Get selected screen size
<b>CR_VSCALE[CR]</b>	Get setting status of V Scale
<b>CR_VPOS[CR]</b>	Get setting status of V Position
<b>CR_HSCALE[CR]</b>	Get setting status of H Scale
<b>CR_HPOS[CR]</b>	Get setting status of H Position
<b>CR_KYSTNMODE[CR]</b>	Get selected Keystone store mode
<b>CR_CORNERTESTPAT [CR]</b>	Get setting of test pattern for Corner correction.
<b>CR_CEIL[CR]</b>	Get selected ON/OFF of Ceiling
<b>CR_REAR[CR]</b>	Get selected ON/OFF of Rear

### 6.6 Lamp Status Read Command Table

<b>Status read command</b>	<b>Item</b>
<b>CR_LAMPREPL [CR]</b>	Get information on Lamp replacement time
<b>CR_LAMPMODE [CR]</b>	Get selected Lamp mode
<b>CR_AUTOLAMPCONTROL[CR]</b>	Get setting status of dimmer function level.
<b>CR_LAMPSTS [CR]</b>	Get Lamp lighting status
<b>CR_INFLAMP [CR]</b>	Get Lamp switching status
<b>CR_PROJH [CR]</b>	Get the projector total running time
<b>CR_HMLAMP [CR]</b>	Get the total number of lamps
<b>CR_LAMPH [CR]</b>	Get information of actual Lamp running time
<b>CR_LAMPCORRESPH [CR]</b>	Get lamp running time multiplied by a coefficient
<b>CR_LAMPINTERVAL [CR]</b>	Get Lamp interval status

## 6.7 Setting Status Read Command Table

Status read command	Item
CR_LANG [CR]	Get selected language
CR_DISP [CR]	Get setting status of Display
CR_BACKGND [CR]	Get setting status of Screen for no signal
CR_EDGEBLENDING[CR]	Get setting status of Edge blending
CR_BLEND[CR]	Get value of Width in Edge blending
CR_BLENDSTART[CR]	Get value of Start set in Edge blending
CR_BLENDBLK[CR]	Get setting status of Black level of Edge blending
CR_BLENDTESTPAT[CR]	Get setting status of Test pattern of Edge blending
CR_COLORMATCHING[CR]	Get setting status of Color matching
CR_CMMSXY_%1[CR]	Get "x","y" value of Measured of Color matching
CR_CMMSL_%1[CR]	Get "L" value of Measured of Color matching
CR_CMTGXY_%1[CR]	Get "x","y" value of Target of Color matching
CR_CMTGG_%1[CR]	Get "g" value of Target of Color matching
CR_CMAUTOTESTPAT[CR]	Get setting status of Auto test pattern of Color matching
CR_CMMSTESTPAT[CR]	Get setting status of test pattern(Measured) of Color matching
CR_CMTGTESTPAT[CR]	Get setting status of test pattern(Target) of Color matching
CR_HDMISETUP[CR]	Get setting status of HDMI setup
CR_LOGO [CR]	Get setting status of Logo
CR_LOGOLOCK [CR]	Get setting status of Logo Lock
CR_FANSPEED [CR]	Get selected Fan Control Speed
CR_RCODE [CR]	Get selected Remote Control Code
CR_RSENS [CR]	Get selected location of infrared remote receiver of remote control
CR_P-MANE [CR]	Get setting status of Power management
CR_P-MANETIME [CR]	Get setting time for Power Management
CR_ON-STA [CR]	Get setting status of Direct on
CR_KEYDIS [CR]	Get setting status of RC/KEY control limitation
CR_SECURITY [CR]	Get setting status of Security
CR_PJLOCKNOW [CR]	Get setting status of current PJ Lock
CR_PJLOCKMENU [CR]	Get PJ Lock setting status on the menu
CR_SHUTRCPROT[CR]	Get remote controller disability status of the shutter
CR_SHUTKEYPROT[CR]	Get Key controller disability state of the shutter
CR_SHUTH[CR]	Get time setting to begin the shutter management
CR_SHUTEFFECT[CR]	Get status of shutter effect function
CR_SHUTRELEASE[CR]	Get setting status of release key of shutter
CR_DELAYCTRL[CR]	Get selected mode of Video delay control
CR_CCAPTIONDISP[CR]	Get setting status of channel of Closed caption
CR_CCAPTIONCOLOR[CR]	Get setting status of color of Closed caption
CR_FILH[CR]	Get Filter used time
CR_FILCOND[CR]	Get status of filter clog
CR_FILREPL[CR]	Get status of Filter cleaning / replacement time
CR_FILTIMER[CR]	Get time to display Filter cleaning / replacement warning on screen
CR_FILREMAIN[CR]	Get the value of Filter counter remaining (%)
CR_FILTYPE[CR]	Get setting of Filter Type
CR_PTIMEMODE[CR]	Get setting mode of P-timer

<b>CR_PTIMER[CR]</b>	Get status of P-timer
<b>CR_PTIME[CR]</b>	Get setting time for count down mode in P-timer
<b>CR_TESTPAT[CR]</b>	Get setting status of Test pattern

### 6.8 Other Status Read Command Table

<b>Status read command</b>	<b>Item</b>
<b>CR_STATUS [CR]</b>	Get operation state of the projector
<b>CR_SIGNAL [CR]</b>	Get status of signal existence
<b>CR_VMUTE [CR]</b>	Get setting status of Video mute
<b>CR_FREEZE [CR]</b>	Get setting status of Freeze
<b>CR_TEMPFAIL [CR]</b>	Get temperature in abnormal temperature status
<b>CR_TEMP [CR]</b>	Get current temperature
<b>CR_SHUTCOND [CR]</b>	Get setting status of Shutter
<b>CR_OPTCTRLNO[CR]</b>	Get value of Option control No.

### 7. Error Code Table

<b>Error Code</b>	<b>Contents</b>
?	-When the received data cannot be decoded -Parameter designation error (wrong digit number, including invalid value, etc.)
000	Normal reception (This is "Not" error)
101	Specified function is not available in the selected mode
102	Specified value is out of range (Not reflected)
103	Command mismatched to Hardware (the command is for Optional function which is not implemented)
201	Incremented or decremented value or values are beyond upper or lower limits.
301	Not executable due to screen capturing in process. Prompting reissue of the command after a while.
402	Not executable due to PIN code in operation. Prompting reissue of the command after a while.

## 8. Functional Execution Command

### 8.1 Format

1) PC issues a command in the format below:

**Pattern1:** “CF\_ Command” [CR]

**Pattern2:** “CF\_ Command ” %1 [CR]

CF\_: Header

Command: String

%1: Parameter (String)

\_: Space (To separate Command and Parameter)

2) The projector decodes the received command and when it gets ready to receive another command, it returns the response.

“000” [CR]: (0x06, 0x0D) When receiving Functional Execution Command

“nnn” [CR]: Except “000”, when it cannot execute commands for any specific reason.

For detail, refer to [7. Error Code Table]

“?” [CR]: When the received data cannot be decoded

### 8.2 Transfer Example

When setting projector’s total dots to 1344 by Expand Command.

PC → PJ: “CF\_TDOTS\_1344” [CR]

PC ← PJ: “000” [CR] ----- Acceptable

### 8.3 Operation Requirements

When the projector status is in the status below, Functional Execution Commands are limited  
(Status Read Commands are available in following status)

Projector Status	Available Functional Execution Command
In Standby Mode	C00: POWER ON
Count Down in process	C00: POWER ON (Countdown is terminated)
Cooling Down in process	NONE (No Execution)
Cooling Down in process due to abnormal temperature	NONE (No Execution)
In Abnormal Temperature	NONE (No Execution)
Power Failure (60 seconds after Power failed)	NONE (No Execution)
Power Saving Cooling Down in process	NONE (No Execution)
In Power Saving status	C00: POWER ON C01: POWER OFF

Note) An appropriate error code is returned when the projector receives other command in the above status.

## 8.4 Image Command

### 8.4.1 CF\_CONT Command

Command	"CF_CONT_%1" [CR]	
%1	"000-063"----- Directly specify setting value of Contrast "UP"----- Increment setting value of Contrast by 1 "DN"----- Decrement setting value of Contrast by 1	
Details	Set user controlled value of Contrast. (Available only in the normal Power ON status) The value set by this command is not stored in the projector. Therefore, when the power is turned to ALL OFF status, the value returns to the original setting. (It is stored in Suspend mode.)	
Response	Acceptable	"000" [CR]
	Unacceptable	"Error Code" [CR]

### 8.4.2 CF\_BRIGHT Command

Command	"CF_BRIGHT_%1" [CR]	
%1	"000-063" ----- Directly specify setting value of Brightness "UP" ----- Increment setting value of Brightness by 1 "DN" ----- Decrement setting value of Brightness by 1	
Details	Set user controlled value of Brightness. (Available only in the normal Power ON status) The value set by this command is not stored in the projector's memory. Therefore, when the power is turned to ALL OFF status, the value returns to the original setting. (It is stored in Suspend mode.)	
Response	Acceptable	"000" [CR]
	Unacceptable	"Error Code" [CR]

### 8.4.3 CF\_COLOR Command

Command	"CF_COLOR_%1" [CR]	
%1	"000-063"----- Directly specify setting value of Color "UP"----- Increment setting value of Color by 1 "DN"----- Decrement setting value of Color by 1	
Details	Set user controlled value of Color. (Available only in the normal Power ON status) The value set by this command is not stored in the projector's memory. Therefore, when the power is turned to ALL OFF status, the value returns to the original setting. (It is stored in Suspend mode.)	
Response	Acceptable	"000" [CR]
	Unacceptable	"Error Code" [CR]

### 8.4.4 CF\_TINT Command

Command	"CF_TINT_%1" [CR]	
%1	"000-063"----- Directly specify setting value of Tint "UP"----- Increment setting value of Tint by 1 "DN"----- Decrement setting value of Tint by 1	
Details	Set user controlled value of Tint (Available only in the normal Power ON status) The value set by this command is not stored in the projector's memory. Therefore, when the power is turned to ALL OFF status, the value returns to the original setting. (It is stored in Suspend mode.)	
Response	Acceptable	"000" [CR]
	Unacceptable	"Error Code" [CR]

#### 8.4.5 CF\_COLMNSAV Command

Command	"CF_COLMNSAV_%1" [CR]	
%1	"000 – 009" ----- Specify the area to store	
Details	Store current setting status of Color Management to the area specified in %1. (Available only in the normal Power ON status)	
Response	Acceptable	"000" [CR]
	Unacceptable	"Error Code" [CR]

#### 8.4.6 CF\_COLMNLN Command

Command	"CF_COLMNLN_%1" [CR]	
%1	"000 – 009" ----- Specify the area to store	
Details	Retrieve Color Management setting status from the area specified in %1. (Available only in the normal Power ON status)	
Response	Acceptable	"000" [CR]
	Unacceptable	"Error Code" [CR]

#### 8.4.7 CF\_APCTRL Command

Command	"CF_APCTRL_%1" [CR]	
%1	"L1" ----- Set Auto Picture Control to Level 1. "L2" ----- Set Auto Picture Control to Level 2. "OFF" ----- Set Auto Picture Control OFF. "UP" ----- The same operation as pressing Up key or Left key "DN" -----The same operation as pressing Down key or Right key	
Details	Set Auto Picture Control (Available only in the normal Power ON status) The value set by this command is not stored in the projector's memory. Therefore, when the power is turned to ALL OFF status, the value returns to the original setting. (It is stored in Suspend mode.)	
Response	Acceptable	"000" [CR]
	Unacceptable	"Error Code" [CR]

#### 8.4.8 CF\_COLTEMP Command

Command	"CF_COLTEMP_%1" [CR]	
%1	"000" – "003"	
Details	Set Color Temperature (Available only in the normal Power ON status) The value set by this command is not stored in the projector's memory. Therefore, when the power is turned to ALL OFF status, the value returns to the original setting. (It is stored in Suspend mode.)	
Response	Acceptable	"000" [CR]
	Unacceptable	"Error Code" [CR]

### 8.4.9 CF\_WBAL- Command

Command	"CF_WBAL-%1_%2" [CR]	
%1	"R" ----- RED "G" ----- GREEN "B" ----- BLUE	
%2	"000-063"----- Directly specify value of Color selected in %1 of White Balance. "UP"----- Increment setting value of Color specified in %1 of White Balance by 1 "DN"----- Decrement setting value of Color specified in %1 of White Balance by 1	
Details	Set value of Color specified in %1 of White Balance (Available only in the normal Power ON status) The value set by this command is not stored in the projector's memory. Therefore, when the power is turned to ALL OFF status, the value returns to the original setting. (It is stored in Suspend mode.)	
Response	Acceptable	"000" [CR]
	Unacceptable	"Error Code" [CR]

### 8.4.10 CF\_OFFSET- Command

Command	"CF_OFFSET-%1_%2" [CR]	
%1	"R" ----- RED "G" ----- GREEN "B" ----- BLUE	
%2	"000-063"----- Directly specify value of Color selected in %1 of Offset. "UP"----- Increment setting value of Color specified in %1 of Offset by 1 "DN"----- Decrement setting value of Color specified in %1 of Offset by 1	
Details	Set value of Color specified in %1 of Offset (Available only in the normal Power ON status) The value set by this command will not be stored in the projector's memory. Therefore, when the power is turned to ALL OFF status, the value returns to the original setting. (It is stored in Suspend mode.)	
Response	Acceptable	"000" [CR]
	Unacceptable	"Error Code"[CR]

### 8.4.11 CF\_SHARP Command

Command	"CF_SHARP_%1" [CR]	
%1	"000-031" ----- Directly specify setting value of Sharpness. "UP"----- Increment setting value of Sharpness by 1 "DN"----- Decrement setting value of Sharpness by 1	
Details	Set user controlled value of Sharpness. (Available only in the normal Power ON status) The value set by this command is not stored in the projector's memory. Therefore, when the power is turned to ALL OFF status, the value returns to the original setting. (It is stored in Suspend mode.)	
Response	Acceptable	"000" [CR]
	Unacceptable	"Error Code" [CR]



### 8.4.12 CF\_GAMMA Command

Command	"CF_GAMMA_%1" [CR]	
%1	"000-015" ----- Directly specify setting value of Gamma "UP"----- Increment setting value of Gamma by 1 "DN"----- Decrement setting value of Gamma by 1	
Details	Set user controlled value of Gamma. (Available only in the normal Power ON status) The value set by this command is not stored in the projector's memory. Therefore, when the power is turned to ALL OFF status, the value returns to the original setting. (It is stored in Suspend mode.)	
Response	Acceptable	"000" [CR]
	Unacceptable	"Error Code" [CR]

### 8.4.13 CF\_NZRED Command

Command	"CF_NZRED_%1" [CR]	
%1	"ON" -----Set Noise Reduction to ON "OFF" ----- Set Noise Reduction to OFF	
Details	Set or Cancel Noise Reduction. (Available only in the normal Power ON status) The value set by this command is not stored in the projector's memory. Therefore, when the power is turned to ALL OFF status, the value returns to the original setting. (It is stored in Suspend mode.)	
Response	Acceptable	"000" [CR]
	Unacceptable	"Error Code" [CR]

### 8.4.14 CF\_PROGV Command

Command	"CF_PROGV_%1" [CR]	
%1	"ON" ----- Set Progressive scan to ON "FILM" ----- Set Progressive scan to Film mode "OFF" ----- Set Progressive scan to OFF	
Details	Set or Cancel Progressive scan. (Valid only when it is in the normal Power ON status.) The value set by this command is not stored in the projector's memory. Therefore, when the power is turned to ALL OFF status, the value returns to the original setting. (It is stored in Suspend mode.)	
Response	Acceptable	"000" [CR]
	Unacceptable	"Error Code" [CR]

### 8.4.15 CF\_IMAGE Command

Command	"CF_IMAGE_%1" [CR]	
%1	<p>"STAND" ----- Standard (Image adjustment value is set to factory default)                  "REAL" ----- Real (Fixed value to display graphic image with natural tone)                  "CINEMA" ----- Cinema (Fixed value to focus on tone reproduction for movie)                  "DYNAMIC" ----- Dynamic (Fixed value to enable projection with a sharp, powerful picture tone)                  "CUSTOM1" ----- Image1 (values adjusted and stored by user)                  "CUSTOM2" ----- Image2 (values adjusted and stored by user)                  "CUSTOM3" ----- Image3 (values adjusted and stored by user)                  "CUSTOM4" ----- Image4 (values adjusted and stored by user)                  "CUSTOM5" ----- Image5 (values adjusted and stored by user)                  "CUSTOM6" ----- Image6 (values adjusted and stored by user)                  "CUSTOM7" ----- Image7 (values adjusted and stored by user)                  "CUSTOM8" ----- Image8 (values adjusted and stored by user)                  "CUSTOM9" ----- Image9 (values adjusted and stored by user)                  "CUSTOM10" ----- Image10 (values adjusted and stored by user)</p>	
Details	<p>Select Image mode. (Valid only when it is in the normal Power ON status.)                  Parameter "CUSTOM1" to "CUSTOM10" corresponds to "Image1" to "Image10" displayed in projector OSD menu on selecting Image.                  The value set by this command is stored in EEPROM so that the setting can remain effective even after the power is turned to ALL OFF status.</p>	
Response	Acceptable	"000" [CR]
	Unacceptable	"Error Code" [CR]

### 8.4.16 CF\_IMAGEADJ Command

Command	"CF_IMAGEADJ_%1"[CR]	
%1	<p>"RST"----- Reset adjusted value for the Image                  "STR1"---- Store current adjusted value to Image 1                  "STR2"---- Store current adjusted value to Image 2                  "STR3"---- Store current adjusted value to Image 3                  "STR4"---- Store current adjusted value to Image 4                  "STR5"---- Store current adjusted value to Image 5                  "STR6"---- Store current adjusted value to Image 6                  "STR7"---- Store current adjusted value to Image 7                  "STR8"---- Store current adjusted value to Image 8                  "STR9"---- Store current adjusted value to Image 9                  "STR10"--- Store current adjusted value to Image 10</p>	
Details	<p>Reset or Store adjusted value for Image. (Available only in the normal Power ON status)                  "STR1"- "STR10" corresponds to "Image1"- "Image10" displayed in projector OSD menu on selecting "Store" for adjusted value of Image. The setting value set in "Image1" to "Image10" is stored and can be retrieved when turning on the projector again after the power is turned to ALL OFF status.</p>	
Response	Acceptable	"000" [CR]
	Unacceptable	"Error Code" [CR]

### 8.4.17 CF\_ADVCOL Command

Command	"CF_ADVCOL_%1" [CR]	
%1	<p>"AUTO" ----- Set Advanced color to Auto                  "OFF" ----- Set Advanced color OFF.                  "UP" ----- The same operation as pressing Up key or Left key                  "DN" -----The same operation as pressing Down key or Right key                  *"UP" and "DN" are exactly same operation.</p>	
Details	<p>Set Advanced color mode (Available only in the normal Power ON status)                  The value set by this command is not stored in the projector's memory. Therefore, when the power is turned to ALL OFF status, the value returns to the original setting. (It is stored in Suspend mode.)</p>	
Response	Acceptable	"000" [CR]
	Unacceptable	"Error Code" [CR]

## 8.5 PC Control Command

### 8.5.1 CF\_FSYNC Command

Command	"CF_FSYNC_%1" [CR]	
%1	"0000-0031" ----- Directly specify setting value of Fine Sync "UP" ----- Increment setting value of Fine Sync by 1 "DN" ----- Decrement setting value of Fine Sync by 1	
Details	Set value of Fine Sync in PC signal (Available only in the normal Power ON status) The value set by this command is not stored in the projector's memory. Therefore, when the power is turned to ALL OFF status, the value returns to the original setting. (It is stored in Suspend mode.)	
Response	Acceptable	"000" [CR]
	Unacceptable	"101" [CR] --- When input is Video signal --- When input is no signal

### 8.5.2 CF\_TDOTS Command

Command	"CF_TDOTS_%1" [CR]	
%1	"mmmm – nnnn" ----- Directly specify setting value of Total Dots "mmmm" indicates minimum value, which is current (Display Area H + Position H) value "nnnn" indicates maximum value, that dot clock does not exceed more than 160MHz. "UP" ----- Increment setting value of Total Dots by 1 "DN" ----- Decrement setting value of Total Dots by 1	
Details	Set value of Total Dots in PC signal (Available only in the normal Power ON status) The value set by this command is not stored in the projector's memory. Therefore, when the power is turned to ALL OFF status, the value returns to the original setting. (It is stored in Suspend mode.)	
Response	Acceptable	"000" [CR]
	Unacceptable	"101" [CR] --- When input is Video signal --- When input is no signal

### 8.5.3 CF\_H-POS Command

Command	"CF_H-POS_%1" [CR]	
%1	"0000-nnnn" ----- Directly specify setting value of Horizontal Position "nnnn" indicates maximum value, which is current value of (Total Dots – Display Area H) "UP" ----- Increment setting value of Horizontal Position by 1 "DN" ----- Decrement setting value of Horizontal Position by 1	
Details	Set value of Horizontal Position in PC signal (Available only in the normal Power ON status) The value set by this command is not stored in the projector's memory. Therefore, when the power is turned to ALL OFF status, the value returns to the original setting. (It is stored in Suspend mode.)	
Response	Acceptable	"000" [CR]
	Unacceptable	"101" [CR] --- When input is Video signal --- When input is no signal

### 8.5.4 CF\_V-POS Command

Command	"CF_V-POS_%1" [CR]	
%1	"0000-nnnn" ----- Directly specify setting value of Vertical Position "nnnn" indicates maximum value, which is current (Total Line – Display Area V) value "UP" ----- Increment setting value of Vertical Position by 1 "DN" ----- Decrement setting value of Vertical Position by 1	
Details	Set Vertical Position value in PC signal (Available only in the normal Power ON status) The value set by this command is not stored in the projector's memory. Therefore, when the power is turned to ALL OFF status, the value returns to the original setting. (It is stored in Suspend mode.)	
Response	Acceptable	"000" [CR]
	Unacceptable	"101" [CR] --- When input is Video signal --- When input is no signal

### 8.5.5 CF\_CLAMP Command

Command	"CF_CLAMP_%1" [CR]	
%1	"0000-4095" ----- Directly specify setting value of Clamp "UP" ----- Increment setting value of Clamp by 1 "DN" ----- Decrement setting value of Clamp by 1	
Details	Set Clamp value in PC signal. (Available only in the normal Power ON status) The value set by this command will not be stored in the projector's memory. Therefore, when the power is turned to ALL OFF status, the value returns to the original setting. (It is stored in Suspend mode.)	
Response	Acceptable	"000" [CR]
	Unacceptable	"101" [CR] --- When input is Video signal --- When input is no signal

### 8.5.6 CF\_DDOTS Command

Command	"CF_DDOTS_%1" [CR]	
%1	"0256-nnnn" ----- Directly specify setting value of Display Dots "nnnn" indicates maximum value, which is current value of (Total Dots - Position H). In this projector, the value should be "even number" and if "odd number" is specified, it adds 1 to make the value even number. "UP" ----- Increment setting value of Display Dots by 2 "DN" ----- Decrement setting value of Display Dots by 2	
Details	Set Display Dots value in PC signal. (Available only in the normal Power ON status) The value set by this command is not stored in the projector's memory. Therefore, when the power is turned to ALL OFF status, the value returns to the original setting. (It is stored in Suspend mode.)	
Response	Acceptable	"000" [CR]
	Unacceptable	"101" [CR] --- When input is Video signal --- When input is no signal

### 8.5.7 CF\_DLINE Command

Command	"CF_DLINE_%1" [CR]	
%1	"0100-nnnn" ----- Directly specify setting value of Display Line "nnnn" indicates maximum value, which is current value of (Total Line - Position V). "UP" ----- Increment setting value of Display Line by 1 "DN" ----- Decrement setting value of Display line by 1	
Details	Set setting value of Display Line in PC signal (Available only in the normal Power ON status) The value set by this command is not being stored in the projector's memory. Therefore, when the power is turned to ALL OFF status, the value returns to the original setting. (It is stored in Suspend mode.)	
Response	Acceptable	"000" [CR]
	Unacceptable	"101" [CR] --- When input is Video signal --- When input is no signal

### 8.5.8 CF\_ORGMODE Command

Command	"CF_ORGMODE_%1" [CR]	
%1	When input signal is PC Analog; "VGA1" ----- Specify VGA1 "VGA2" ----- Specify VGA2 : "XGA1" ----- Specify XGA1 : "WXGA3" ----- Specify WXGA3 "1080I60" ----- Specify 1080i60 "1080I50" ----- Specify 1080i50 "1035I" ----- Specify 10350i "720P60" ----- Specify 720p60 "720P50" ----- Specify 720p50 "576P" ----- Specify 576p "480P" ----- Specify 480p "576I" ----- Specify 576i "480I" ----- Specify 480i "1080PSF/24" ----- Specify 1080psf/24 "1080PSF/25" ----- Specify 1080psf/25 "1080PSF/30" ----- Specify 1080psf/30 "1080P24" ----- Specify 1080p24 "1080P25" ----- Specify 1080p25 "1080P30" ----- Specify 1080p30 "1080P50" ----- Specify 1080p50 "1080P60" ----- Specify 1080p60  * When input signal is not PC Analog, error code "101" is returned.	
Details	After "EXT n" is set by PC control command such as CF_FSYNC/CF_TDOTS and CF_SETPCADJ command, specify the signal originated with by issuing this command. This command is used to specify projector internal settings such as whether or not to get PC signal through IP (Available only in the normal Power ON status) Note; To differentiate between 60Hz and 50Hz in 1080i and 720p, "60" or "50" is necessary to add to the parameter in this command.	
Response	Acceptable	"000" [CR]
	Unacceptable	"101" [CR] --- When input is Video signal

### 8.5.9 CF\_PCSTORE Command

Command	"CF_PCSTORE_%1" [CR]	
%1	"MODE1" ----- Store current PC Adjust status to Mode1 "MODE2" ----- Store current PC Adjust status to Mode2 "MODE3" ----- Store current PC Adjust status to Mode3 "MODE4" ----- Store current PC Adjust status to Mode4 "MODE5" ----- Store current PC Adjust status to Mode5 "MODE6" ----- Store current PC Adjust status to Mode6 "MODE7" ----- Store current PC Adjust status to Mode7 "MODE8" ----- Store current PC Adjust status to Mode8 "MODE9" ----- Store current PC Adjust status to Mode9 "MODE10" ----- Store current PC Adjust status to Mode10	
Details	Store current value of PC Adjust (each parameter status such as Total dots) to Mode1-10. This command operates the same way as storing to Mode1-10 in PC Adjust Menu. (Available only in the normal Power ON status)	
Response	Acceptable	"000" [CR]
	Unacceptable	"101" [CR] --- When input is Video signal --- When input is no signal

### 8.5.10 CF\_PCMODEFREE Command

Command	"CF_PCMODEFREE_%1" [CR]	
%1	"MODE1" ----- Set Mode1 to Free status "MODE 2" ----- Set Mode2 to Free status "MODE 3" ----- Set Mode3 to Free status "MODE 4" ----- Set Mode4 to Free status "MODE 5" ----- Set Mode5 to Free status "MODE 6" ----- Set Mode6 to Free status "MODE 7" ----- Set Mode7 to Free status "MODE 8" ----- Set Mode8 to Free status "MODE 9" ----- Set Mode9 to Free status "MODE 10" ----- Set Mode10 to Free status	
Details	Delete the data registered in Custom Mode1–10 and returns it to Free status. This command operates the same way as storing to Mode1-10 in PC Adjust Menu. (Available only in the normal Power ON status)	
Response	Acceptable	"000" [CR]
	Unacceptable	"101" [CR] --- When input is Video signal --- When input is no signal

## 8.6 Input Control Command

### 8.6.1 CF\_INPUT Command

Command	"CF_INPUT_%1" [CR]	
%1	"1" ----- Select Input 1 "2" ----- Select Input 2 "3" ----- Select Input 3 "4" ----- Select Input 4 "UP"----- Increment Input No. by 1 "DN"----- Decrement Input No. by 1	
Details	Select Input (Only valid when it is in the normal Power ON status.) This command works the same way as "INPUT" button of the projector and remote control.	
Response	Acceptable	"000" [CR]
	Unacceptable	"Error Code" [CR]

### 8.6.2 CF\_SOURCE Command

Command	"CF_SOURCE_%1" [CR]	
%1	"DIGITAL" ----- Select DVI Input "ANALOG" ----- Select Analog Input "VIDEO" ----- Select Composite Video Input "S-VIDEO" ----- Select S-Video input "YPBPR" ----- Select Y, Pb/Cb, Pr/Cr Input "YCBCR" ----- Select Y, Pb/Cb, Pr/Cr Input "SDI1" ----- Select SDI 1 Input "SDI2" ----- Select SDI 2 Input "SCART" ----- Select SCART Input "HDCP" ----- Select HDCP Input "HDMI" ----- Select HDMI Input	
Details	Select source of the currently selected Input. (Valid only when in the normal Power ON status.) When selected Input does not meet the requirement for the specified %1, return "101" [CR] and the command is not executed.	
Response	Acceptable	"000" [CR]
	Unacceptable	"Error Code" [CR]

### 8.6.3 CF\_INPUT1~4 Command

Command	"CF_INPUT%1_%2" [CR]	
%1	"1" ----- Specify Input 1 "2" ----- Specify Input 2 "3" ----- Specify Input 3 "4" ----- Specify Input 4	
%2	"DIGITAL" ----- Select DVI Input (Computer signal) "ANALOG" ----- Select Analog Input (Computer signal) "VIDEO" ----- Select Composite Video Input "S-VIDEO" ----- Select S-Video input "YPBPR" ----- Select Y, Pb/Cb, Pr/Cr Input "YCBCR" ----- Select Y, Pb/Cb, Pr/Cr Input "SDI1" ----- Select DF-SDI 1 Input "SDI2" ----- Select DF-SDI 2 Input "HDCP" ----- Select HDCP Input "SCART" ----- Select SCART Input "HDMI" ----- Select HDMI Input	
Details	Select Input specified by %1, and also Source specified by %2 concurrently. (Valid only when in the normal Power ON status.)	
Response	Acceptable	"000" [CR]
	Unacceptable	"Error Code" [CR]



8.6.4 CF\_SYSTEM Command

Command	"CF_SYSTEM_%1" [CR]	
%1	Input is PC Analog	"VGA1" ----- Select VGA1 "VGA2" ----- Select VGA2 : "XGA1" ----- Select XGA1 : "WXGA3" ----- Select WXGA3 "1080I" ----- Select 1080i "1035I" ----- Select 1035i "720P" ----- Select 720p "576P" ----- Select 576p "480P" ----- Select 480p "576I" ----- Select 576i "480I" ----- Select 480i "1080PSF/24" ----- Select 1080psf/24 "1080PSF/25" ----- Select 1080psf/25 "1080PSF/30" ----- Select 1080psf/30 "MODE1 - 10" ----- Select MODE1 – MODE10 "EXT11 - 60" ----- Select Ex Mode11-60 * Ex Mode1-10 is not returned.
	Input is PC Digital/AV HDCP	"D-XGA1" ----- Select D-XGA1 : "D-WXGA3" ----- Select D-WXGA3 "D-1080I" ----- Select D-1080i "D-1035I" ----- Select D-1035i "D-720P" ----- Select D-720p "D-576P" ----- Select D-576p "D-480P" ----- Select D-480p "D-1080PSF/24" ----- Select D-1080psf/24 "D-1080PSF/25" ----- Select D-1080psf/25 "D-1080PSF/30" ----- Select D-1080psf/30
	Input is HDMI	"D-XGA1" ----- Select D-XGA1 : "D-WXGA3" ----- Select D-WXGA3 "D-1080I" ----- Select D-1080i : "D-576p" ----- Select D-576p "D-480p" ----- Select D-480p
	Input is Y,Pb/Cb,Pr/Cr	"AUTO" ----- Select System "Auto" "1080P" ----- Select 1080p "1080I" ----- Select 1080i "1035I" ----- Select 1035i "720P" ----- Select 720p "576P" ----- Select 576p "480P" ----- Select 480p "576I" ----- Select 576i "480I" ----- Select 480i
	Input is Video / S-Video	"AUTO" ----- Select System "Auto" "NTSC" ----- Select NTSC "NTSC443" ----- Select NTSC4.43 "PAL" ----- Select PAL "SECAM" ----- Select SECAM "PAL-M" ----- Select PAL-M "PAL-N" ----- Select PAL-N
	Input is Dual-SDI	"D-480I" ----- Select D-480i "D-576I" ----- Select D-576i "D-1035I" ----- Select D-1035i "D-1080I" ----- Select D-1080i "D-720P" ----- Select D-720p "D-1080P" ----- Select D-1080p "D-1080PSF/24" ----- Select D-1080psf/24 "D-1080I" ----- Select D-1080i

Details	Select System of currently selected Input (Available only in the normal Power ON status) When selected input does not include specified %1, error code "101" [CR] is returned and it is not executed.	
Response	Acceptable	"000" [CR]
	Unacceptable	"Error Code" [CR]

## 8.7 Screen Control Command

### 8.7.1 CF\_SCREEN Command

Command	"CF_SCREEN_%1" [CR]	
%1	Input is PC signal	"NORMAL" ----- Select Normal mode "FULL" ----- Select Full mode "WIDE" ----- Select Wide (16:9) mode "ZOOM" ----- Select Zoom mode "TRUE" ----- Select True mode "CUSTOM" ----- Select Custom mode "DZOOM□UP" ----- Expand image size by Digital Zoom "DZOOM□DN" ----- Compress image size by Digital Zoom "UP" ----- The same operation as pressing Up key or Left key "DN" ----- The same operation as pressing Down key or Right key
	Input is Video signal	"NORMAL" ----- Select Normal mode "FULL" ----- Select Full mode "WIDE" ----- Select Wide (16:9) mode "ZOOM" ----- Select Zoom mode "CUSTOM" ----- Select Custom mode "UP" ----- The same operation as pressing Up key or Left key "DN" ----- The same operation as pressing Down key or Right key
	Common in AV/PC	"RST" ----- Reset Screen adjustment
Details	Select screen size. (Valid only when in the normal Power ON status.) When selected Input does not meet the requirement for the specified %1, return "101" [CR] and the command is not executed.	
Response	Acceptable	"000" [CR]
	Unacceptable	"Error Code" [CR]

### 8.7.2 CF\_DZCENT Command

Command	"CF_DZCENT_%1" [CR]	
%1	"CENT" ----- Cancel Digital Zoom (CENT: "CENTER")	
Details	Cancel Digital Zoom mode. (Valid only when in the normal Power ON status and Input for Computer is selected.)	
Response	Acceptable	"000" [CR]
	Unacceptable	"101" [CR] ----- When input is Video

### 8.7.3 CF\_KEYSTONE Command

Command	"CF_KEYSTONE_%1" [CR]	
%1	<p>"UP" ----- Correct Keystone distortion to reduce upper part of image                  "FUP" ----- Correct Keystone distortion to reduce upper part                  "DN" ----- Correct Keystone distortion to reduce lower part of image                  "FDN" ----- Correct Keystone distortion to reduce lower part largely                  "LEFT" ----- Correct Keystone distortion to reduce left part of image                  "FLFT" ----- Correct Keystone distortion to reduce left part largely                  "RIGHT" ----- Correct Keystone distortion to reduce right part of image                  "FRGT" ----- Correct Keystone distortion to reduce right part largely                  "RST" ----- Return the setting of Keystone to default.</p>	
Details	<p>Change level of Keystone distortion correction (Available only in the normal Power ON status).                  When reached the limit of the correction level, projector accepts the command but does not execute it.                  Receiving this command immediately invokes the operation.                  When trying to set the value beyond available range, error code "201" is returned and the operation is not executed.                  Example 1: When the correction level of the right part has reached its upper limit and then the command "RIGHT" is received                  Example 2: When the upper part correction allows only another step, and then the command "FUP" is received.</p>	
Response	Acceptable	"000" [CR]
	Unacceptable	"Error Code" [CR]

### 8.7.4 CF\_CORNER-UL Command

Command	"CF_CORNER-UL_%1"[CR]	
%1	<p>"UP" ----- Correct the horizontal line of image upwards                  "DN" ----- Correct the horizontal line of image downwards                  "LEFT" ----- Correct the vertical line of image to the left                  "RIGHT" ----- Correct the vertical line of image to the right</p>	
Details	<p>Correct the top-left corner of the image.                  (Available in normal Power ON status only)                  The correction starts with the first command received</p> <p>Projector returns error code ""101 and no operation is made when exceeding the correction limit.</p>	
Response	Acceptable	"000" [CR]
	Unacceptable	"Error Code" [CR]

### 8.7.5 CF\_CORNER-UR Command

Command	"CF_CORNER-UR_%1"[CR]	
%1	<p>"UP" ----- Correct the horizontal line of image upwards                  "DN" ----- Correct the horizontal line of image downwards                  "LEFT" ----- Correct the vertical line of image to the left                  "RIGHT" ----- Correct the vertical line of image to the right</p>	
Details	<p>Correct the top-right corner of the image.                  (Available in normal Power ON status only)                  The correction starts with the first command received</p> <p>Projector returns error code ""101 and no operation is made when exceeding the correction limit.</p>	
Response	Acceptable	"000" [CR]
	Unacceptable	"Error Code" [CR]

### 8.7.6 CF\_CORNER-DL Command

Command	"CF_CORNER-DL%1"[CR]	
%1	"UP" ----- Correct the horizontal line of image upwards "DN" ----- Correct the horizontal line of image downwards "LEFT" ----- Correct the vertical line of image to the left "RIGHT" ----- Correct the vertical line of image to the right	
Details	Correct the bottom-left corner of the image. (Available in normal Power ON status only) The correction starts with the first command received  Projector returns error code ""101 and no operation is made when exceeding the correction limit.	
Response	Acceptable	"000" [CR]
	Unacceptable	"Error Code" [CR]

### 8.7.7 CF\_CORNER-DR Command

Command	"CF_CORNER-DR_%1"[CR]	
%1	"UP" ----- Correct the horizontal line of image upwards "DN" ----- Correct the horizontal line of image downwards "LEFT" ----- Correct the vertical line of image to the left "RIGHT" ----- Correct the vertical line of image to the right	
Details	Correct the bottom-right corner of the image. (Available in normal Power ON status only) The correction starts with the first command received  Projector returns error code ""101 and no operation is made when exceeding the correction limit.	
Response	Acceptable	"000" [CR]
	Unacceptable	"Error Code" [CR]

### 8.7.8 CF\_CORNERTESTPAT Command

Command	"CF_CORNERTESTPAT_%1"[CR]	
%1	"RED" ----- Select Red "WHITE" ----- Select White "BLUE" ----- Select Blue "OFF" ----- Select Off	
Details	Display test patterns for Corner correction. (Available in normal Power ON status only) The value set by this command is stored in EEPROM and its setting is effective even after ALL is OFF.	
Response	Acceptable	"000" [CR]
	Unacceptable	"Error Code" [CR]

### 8.7.9 CF\_KYSTNMODE Command

Command	"CF_KYSTNMODE_%1" [CR]	
%1	"STR" ----- Set Keystone store mode to Store "RST" ----- Set Keystone store mode to Reset	
Details	Set Keystone store mode (Available only in the normal Power ON status)	
Response	Acceptable	"000" [CR]
	Unacceptable	"Error Code" [CR]

**8.7.10 CF\_CEIL Command**

Command	"CF_CEIL_%1" [CR]	
%1	"ON" ----- Set Ceiling to ON "OFF" ----- Set Ceiling to OFF	
Details	Set/Cancel Ceiling. (Valid only when in the normal Power ON status.) When Ceiling is set to ON, image is left/right as well as top/bottom reversed. The status set by this command is stored in EEPROM and the setting remains effective after the power is turned to ALL OFF status.	
Response	Acceptable	"000" [CR]
	Unacceptable	"Error Code" [CR]

**8.7.11 CF\_REAR Command**

Command	"CF_REAR_%1" [CR]	
%1	"ON" ----- Set Rear to ON "OFF" ----- Set Rear to OFF	
Details	Set/Cancel Rear. (Valid only when in the normal Power ON status.) When Rear is set to ON, image is left/right reversed. The status set by this command is stored in EEPROM and the setting remains effective after the power is turned to ALL OFF status.	
Response	Acceptable	"000" [CR]
	Unacceptable	"Error Code" [CR]

**8.7.12 CF\_VSCALE Command**

Command	"CF_VSCALE_%1" [CR]	
%1	"035" ----- +35 "034" ----- +34 : "001" ----- +1 "000" ----- ±0 " - 01" ----- - 1 : " - 31" ----- - 31 " - 32" ----- - 32 "UP" ----- Increment setting value of Vscale by 1 "DN" ----- Decrement setting value of Vscale by 1	
Details	Set Vscale (Available only in the normal Power ON status) *When selected screen mode is a setting except Custom, return "101" [CR] and the command is not executed. * When input is no signal, return "101" [CR] and the command is not executed.	
Response	Acceptable	"000" [CR]
	Unacceptable	"Error Code" [CR]

### 8.7.13 CF\_VPOS Command

Command	"CF_VPOS_%1" [CR]	
%1	"015" ----- +15 "014" ----- +14 : "001" ----- +1 "000" ----- ±0 " - 01" ----- - 1 : " - 14" ----- - 14 " - 15" ----- - 15 "UP" ----- Increment setting value of Vposition by 1 "DN" ----- Decrement setting value of Vposition by 1	
Details	Set V Position (Available only in the normal Power ON status) *When selected screen mode is a setting except Custom, return "101" [CR] and the command is not executed. * When input is no signal, return "101" [CR] and the command is not executed.	
Response	Acceptable	"000" [CR]
	Unacceptable	"Error Code" [CR]

### 8.7.14 CF\_HSCALE Command

Command	"CF_HSCALE_%1" [CR]	
%1	"035" ----- +35 "034" ----- +34 : "002" ----- +2 "001" ----- +1 "000" ----- ±0 " - 01" ----- - 1 " - 02" ----- - 2 : " - 31" ----- - 31 " - 32" ----- - 32 "UP" ----- Increment setting value of Hscale by 1 "DN" ----- Decrement setting value of Hscale by 1	
Details	Set Hscale (Available only in the normal Power ON status) *When selected screen mode is a setting except Custom, return "101" [CR] and the command is not executed. * When input is no signal, return "101" [CR] and the command is not executed.	
Response	Acceptable	"000" [CR]
	Unacceptable	"Error Code" [CR]

### 8.7.15 CF\_HPOS Command

Command	"CF_HPOS_%1" [CR]	
%1	"015" ----- +15 "014" ----- +14 : "002" ----- +2 "001" ----- +1 "000" ----- ±0 " - 01" ----- - 1 " - 02" ----- - 2 : " - 14" ----- - 14 " - 15" ----- - 15 "UP" ----- Increment setting value of Hposition by 1 "DN" ----- Decrement setting value of Hposition by 1	
Details	Set H Position (Available only in the normal Power ON status) *When selected screen mode is a setting except Custom, return "101" [CR] and the command is not executed. * When input is no signal, return "101" [CR] and the command is not executed.	
Response	Acceptable	"000" [CR]
	Unacceptable	"Error Code" [CR]



## 8.8 Lamp Command

### 8.8.1 CF\_LAMPMODE Command

Command	"CF_LAMPMODE_%1" [CR]	
%1	"4LAMP" ----- Set lamp mode to 4-lamps "2LAMPAUTO" ---- Set lamp mode to 2-lamps and automatically and preferentially use lamps with shorter cumulated lighting time. "2LAMP23" ----- Set lamp mode to 2-lamps (LAMP2 and 3) "2LAMP14" ----- Set lamp mode to 2-lamps (LAMP1 and 4)	
Details	Select Lamp mode. (Valid only when in the normal Power ON status.) The value set by this command is stored in EEPROM and the setting remains effective after the power is turned to ALL OFF status.	
Response	Acceptable	"000" [CR]
	Unacceptable	"Error Code" [CR]

### 8.8.2 CF\_AUTOLAMPCTRL Command

Command	"CF_AUTOLAMPCTRL_%1" [CR]	
%1	"NORMAL" ----- Set Lamp status to Normal mode "ECO1" ----- Set Lamp status to Eco1 mode "ECO2" ----- Set Lamp status to Eco2 mode "AUTO" ----- Set Lamp status to Auto mode	
Details	Select Lamp control mode. (Valid only when in the normal Power ON status.) The value set by this command is stored in EEPROM and the setting remains effective after the power is turned to ALL OFF status.	
Response	Acceptable	"000" [CR]
	Unacceptable	"Error Code" [CR]

### 8.8.3 CF\_LAMPINTERVAL Command

Command	"CF_LAMPINTERVAL_%1" [CR]	
%1	"0024" ----- Set Lamp interval to 24 hours "0200" ----- Set Lamp interval to 200 hours "0500" ----- Set Lamp interval to 500 hours "1000" ----- Set Lamp interval to 1000 hours "2000" ----- Set Lamp interval to 2000 hours "OFF" ----- Set Lamp interval to OFF	
Details	Select Lamp interval. (Valid only when in the normal Power ON status.) The value set by this command is stored in EEPROM and the setting remains effective after the power is turned to ALL OFF status.	
Response	Acceptable	"000" [CR]
	Unacceptable	"Error Code" [CR]

## 8.9 Setting Command

### 8.9.1 CF\_LANG Command

Command	"CF_LANG_%1" [CR]	
%1	"ENG" ----- Select ENGLISH "DEU" ----- Select German "FRA" ----- Select French "ITA" ----- Select Italian "ESP" ----- Select Spanish "POR" ----- Select Portuguese "RUS" ----- Select Russian "CHI" ----- Select Chinese "KOR" ----- Select Korean "JPN" ----- Select Japanese	
Details	Select language for OSD. (Valid only when in the normal Power ON status.) The language set by this command is stored in EEPROM and the setting remains effective after the power is turned to ALL OFF status.	
Response	Acceptable	"000" [CR]
	Unacceptable	"Error Code" [CR]

### 8.9.2 CF\_MENUPOSITION Command

Command	"CF_MENUPOSITION_%1" [CR]	
%1	"UP" ----- Move Menu position to upper side. "DN" ----- Move Menu position to lower side. "LEFT" ----- Move Menu position to left side. "RIGHT" ----- Move Menu position to right side.	
Details	Move Menu position. (Valid only when in the normal Power ON status.) This function is worked from the first reception of Command. * When setting beyond the area of movement is carried out, return "101" [CR] and the command is not executed. Ex.) When movement to right side has already reached limit; and "RIGHT" is received.	
Response	Acceptable	"000" [CR]
	Unacceptable	"Error Code" [CR]

### 8.9.3 CF\_DISP Command

Command	"CF_DISP_%1" [CR]	
%1	"ON" ----- Set Display to ON "CNTDWN OFF" ----- Set Display to Count down Off "OFF" ----- Set Display to OFF "UP" ----- The same operation as pressing Up key or Left key "DN" ----- The same operation as pressing Down key or Right key	
Details	Set/Cancel Display. (Valid only when in the normal Power ON status.) The value set by this command is stored in EEPROM and the setting remains effective after the power is turned to ALL OFF status.	
Response	Acceptable	"000" [CR]
	Unacceptable	"Error Code" [CR]

### 8.9.4 CF\_BACKGND Command

Command	"CF_BACKGND_%1" [CR]	
%1	"BLUE" ----- Select Blue Back "USER" ----- Select User "BLACK" ----- Select Black Back "UP" ----- The same operation as pressing Up key or Left key "DN" ----- The same operation as pressing Down key or Right key	

Details	Set Screen status for no signal.(Available only in the normal Power ON status) The status set by this command is stored in EEPROM and the setting remains even after the power is turned to ALL OFF status. *When %1="USER" is received, error code "101" is returned, in the case of Capture non-practice.	
Response	Acceptable	"000" [CR]
	Unacceptable	"Error Code" [CR]

### 8.9.5 CF\_EDGEBLENDING Command

Command	"CF_EDGEBLENDING_%1" [CR]	
%1	"ON" ----- Set Edge blending to On "OFF" ----- Set Edge blending to Off	
Details	Set Edge blending.(Available only in the normal Power ON status) The status set by this command is stored in EEPROM and setting remains effective even after the power is turned to ALL OFF status.	
Response	Acceptable	"000" [CR]
	Unacceptable	"Error Code" [CR]

### 8.9.6 CF\_BLEND Command

Command	"CF_BLEND_%1_%2" [CR]	
%1	"LEFT" ----- Left side "RIGHT" ----- Right side "TOP" ----- Upper side "BOTTOM" ----- Lower side	
%2	"000"- "1024"----- Directly specify value of direction of %1 *Value of upper limit changes by choice of %1 Left ----- 000~1024 Right ----- 000~1024 Top ----- 000~540 Bottom ----- 000~540	
Details	Set the value of Width for direction specified by Edge blending %1. (Available only in the normal Power ON status) The status set by this command is stored in EEPROM and setting remains effective even after the power is turned to ALL OFF status.	
Response	Acceptable	"000" [CR]
	Unacceptable	"Error Code" [CR]

### 8.9.7 CF\_BLENDSTART Command

Command	"CF_BLENDSTART_%1_%2" [CR]	
%1	"LEFT" ----- Left side "RIGHT" ----- Right side "TOP" ----- Upper side "BOTTOM" ----- Lower side	
%2	"000"- "1024"----- Directly specify value of direction of %1 *Value of upper limit changes by choice of %1 Left ----- 000~1024 Right ----- 000~1024 Top ----- 000~540 Bottom ----- 000~540	
Details	Set the value of Start (Left/Right/Top/Bottom) for direction specified by Edge blending %1. (Available only in the normal Power ON status) The status set by this command is stored in EEPROM and setting remains effective even after the power is turned to ALL OFF status.	
Response	Acceptable	"000" [CR]

	Unacceptable	"Error Code" [CR]
--	--------------	-------------------

### 8.9.8 CF\_BLENDBLK Command

Command	"CF_BLENDBLK_%1_%2" [CR]	
%1	"R" ----- Red "G" ----- Green "B" ----- Blue	
%2	"-127" ~ "0127"----- Directly specify value of color of %1	
Details	Set value of color specified by Edge blending %1. (Available only in the normal Power ON status) The status set by this command is stored in EEPROM and setting remains effective even after the power is turned to ALL OFF status.	
Response	Acceptable	"000" [CR]
	Unacceptable	"Error Code" [CR]

### 8.9.9 CF\_BLENDBLKALL Command

Command	"CF_BLENDBLKALL_%1" [CR]	
%1	"UP" ----- Increment value of Black level(R/G/B) by 1 "DN" ----- Decrement value of Black level(R/G/B) by 1	
Details	Set value of all of Black level of Edge blending. (Available only in the normal Power ON status) The status set by this command is stored in EEPROM and setting remains effective even after the power is turned to ALL OFF status.	
Response	Acceptable	"000" [CR]
	Unacceptable	"Error Code" [CR]

### 8.9.10 CF\_BLENDTESTPAT Command

Command	"CF_BLENDTESTPAT_%1" [CR]	
%1	"ON" ----- Set to On "OFF" ----- Set to Off	
Details	Set Test pattern of Edge blending.(Available only in the normal Power ON status) The status set by this command is stored in EEPROM and setting remains effective even after the power is turned to ALL OFF status.	
Response	Acceptable	"000" [CR]
	Unacceptable	"Error Code" [CR]

### 8.9.11 CF\_BLENDRST Command

Command	"CF_BLENDRST_%1" [CR]	
%1	"RST" ----- Reset current setting status	
Details	Reset current setting status of Edge blending. (Available only in the normal Power ON status)	
Response	Acceptable	"000" [CR]
	Unacceptable	"Error Code" [CR]

### 8.9.12 CF\_BLENDMENUOFF Command

Command	"CF_BLENDMENUOFF_%1" [CR]	
%1	"SET" ----- Temporarily hide Edge blending menu and edge line	

	"RST" ----- Display Edge blending menu and edge line	
Details	Set Menu off function of Edge blending. (Available only in the normal Power ON status)	
Response	Acceptable	"000" [CR]
	Unacceptable	"Error Code" [CR]

**8.9.13 CF\_BLENDMENU Command**

Command	"CF_BLENDMENU_%1" [CR]	
%1	"ON" ----- Display Edge blending menu and edge line. "OFF" ----- Set Edge blending menu and edge line undisplayed.	
Details	Set Edge blending menu and edge line displayed or undisplayed. (Available only in the normal Power ON status)	
Response	Acceptable	"000" [CR]
	Unacceptable	"Error Code" [CR]

**8.9.14 CF\_COLORMATCHING Command**

Command	"CF_COLORMATCHING_%1" [CR]	
%1	"ON" ----- Set to On "OFF" ----- Set to Off	
Details	Set status of Color matching. (Available only in the normal Power ON status) The status set by this command is stored in EEPROM and setting remains effective even after the power is turned to ALL OFF status.	
Response	Acceptable	"000" [CR]
	Unacceptable	"Error Code" [CR]

**8.9.15 CF\_CMMSXY Command**

Command	"CF_CMMSXY_%1_%2_%3" [CR]	
%1	"RED" ----- Set value of Red "GREEN" ----- Set value of Green "BLUE" ----- Set value of Blue	
%2	"0000" – "1000" ----- Directly specify "x" value of color of %1	
%3	"0000" – "1000" ----- Directly specify "y" value of color of %1	
Details	Set "x","y" value of Measured of Color matching. (Available only in the normal Power ON status)	
Response	Acceptable	"000" [CR]
	Unacceptable	"Error Code" [CR]

**8.9.16 CF\_CMMSL Command**

Command	"CF_CMMSL_%1_%2" [CR]	
%1	"RED" ----- Set value of Red "GREEN" ----- Set value of Green "BLUE" ----- Set value of Blue	
%2	"0000" – "1000" ----- Directly specify "L" value of color of %1	
Details	Set "L" value of Measured of Color matching. (Available only in the normal Power ON status)	
Response	Acceptable	"000" [CR]
	Unacceptable	"Error Code" [CR]

**8.9.17 CF\_CMTGXY Command**

Command	"CF_CMTGXY_%1_%2_%3" [CR]	
%1	"RED" ----- Set value of Red "GREEN" ----- Set value of Green "BLUE" ----- Set value of Blue "WHITE" ----- Set value of White "CYAN" ----- Set value of Cyan "MAGENTA" ----- Set value of Magenta "YELLOW" ----- Set value of Yellow	
%2	"0000" – "1000" ----- Directly specify "x" value of color of %1	
%3	"0000" – "1000" ----- Directly specify "y" value of color of %1	
Details	Set "x", "y" value of Target of Color matching. (Available only in the normal Power ON status)	
Response	Acceptable	"000" [CR]
	Unacceptable	"Error Code" [CR]

**8.9.18 CF\_CMTGG Command**

Command	"CF_CMTGG_%1_%2" [CR]	
%1	"RED" ----- Set value of Red "GREEN" ----- Set value of Green "BLUE" ----- Set value of Blue "WHITE" ----- Set value of White "CYAN" ----- Set value of Cyan "MAGENTA" ----- Set value of Magenta "YELLOW" ----- Set value of Yellow	
%2	"0000" – "1000" ----- Directly specify "g" value of color of %1	
Details	Set "g" value of Target of Color matching. (Available only in the normal Power ON status)	
Response	Acceptable	"000" [CR]
	Unacceptable	"Error Code" [CR]

**8.9.19 CF\_CMAUTOTESTPAT Command**

Command	"CF_CMAUTOTESTPAT_%1" [CR]	
%1	"ON" ----- Set to On "OFF" ----- Set to Off	
Details	Set Auto test pattern of Color matching. (Available only in the normal Power ON status)	
Response	Acceptable	"000" [CR]
	Unacceptable	"Error Code" [CR]

**8.9.20 CF\_CM\_RST Command**

Command	"CF_CM_RST_%1" [CR]	
%1	"CM_RST" ----- Reset setting of Color matching "ADCRST" ----- Reset setting of Advanced color matching	
Details	Reset setting of Color matching. (Available only in the normal Power ON status)	
Response	Acceptable	"000" [CR]
	Unacceptable	"Error Code" [CR]

**8.9.21 CF\_CMSTORE Command**

Command	"CF_CMSTORE_%1" [CR]	
%1	"CMSTR" ----- Store setting of Color matching "ADCSTR" ----- Store setting of Advanced color matching	
Details	Store setting of Color matching.(Available only in the normal Power ON status)	
Response	Acceptable	"000" [CR]
	Unacceptable	"Error Code" [CR]

**8.9.22 CF\_CMMSTESTPAT Command**

Command	"CF_CMMSTESTPAT_%1" [CR]	
%1	"RED" ----- Display Red "GREEN" ----- Display Green "BLUE" ----- Display Blue "OFF" ----- Do not show test pattern display	
Details	Display Test pattern of Measured of Color matching. (Available only in the normal Power ON status)	
Response	Acceptable	"000" [CR]
	Unacceptable	"Error Code" [CR]

**8.9.23 CF\_CMTGTESTPAT Command**

Command	"CF_CMTGTESTPAT_%1" [CR]	
%1	"RED" ----- Display Red "GREEN" ----- Display Green "BLUE" ----- Display Blue "WHITE" ----- Display White "CYAN" ----- Display Cyan "MAGENTA" ----- Display Magenta "YELLOW" ----- Display Yellow "OFF" ----- Do not show test pattern display	
Details	Display Test pattern of Target of Color matching. (Available only in the normal Power ON status)	
Response	Acceptable	"000" [CR]
	Unacceptable	"Error Code" [CR]

**8.9.24 CF\_CMFDEFAULT Command**

Command	"CF_CMFDEFAULT_%1" [CR]	
%1	"RST" ----- Reset the value of Target	
Details	Return the value of Advanced color matching to Factory Default status (Available only in the normal Power ON status)	
Response	Acceptable	"000" [CR]
	Unacceptable	"Error Code" [CR]

**8.9.25 CF\_CMMENUOFF Command**

Command	"CF_CMMENUOFF_%1" [CR]	
%1	"SET" ----- Temporarily hide Advanced color matching menu "RST" ----- Display Advanced color matching menu	
Details	Set Menu off function of Advanced color matching. (Available only in the normal Power ON status)	

Response	Acceptable	"000" [CR]
	Unacceptable	"Error Code" [CR]

**8.9.26 CF\_CMMENU Command**

Command	"CF_CMMENU_%1" [CR]	
%1	"ON" ----- Display Advanced color matching menu "OFF" ----- Set Advanced color matching menu undisplayed.	
Details	Set Advanced color matching menu displayed or undisplayed. (Available only in the normal Power ON status)	
Response	Acceptable	"000" [CR]
	Unacceptable	"Error Code" [CR]

**8.9.27 CF\_HDMISETUP Command**

Command	"CF_HDMISETUP_%1" [CR]	
%1	"NORMAL" ----- Set to Normal "ENHANCED" ----- Set to Enhanced	
Details	Set status of HDMI setup. (Available only in the normal Power ON status) The status set by this command is stored in EEPROM and the setting remains effective after the power is turned to ALL OFF status.	
Response	Acceptable	"000" [CR]
	Unacceptable	"Error Code" [CR]

**8.9.28 CF\_LOGO Command**

Command	"CF_LOGO_%1_%2" [CR]	
%1	"0000 – 9999" ----- Directly set Logo PIN code	
%2	"OFF" ----- Cancel Logo display "DFLT" ----- Select Logo of Factory Default "USER" ----- Select User "UP" ----- The same operation as pressing Up key or Left key "DN" ----- The same operation as pressing Down key or Right key	
Details	Set Logo mode. (Available only in the normal Power ON status) The status set by this command is stored in EEPROM and setting remains effective even after the power is turned to ALL OFF status. Set Logo PIN code in %1.  When Logo Lock is enabled: PIN code is matched ----- Command is valid (Acceptable) PIN code is mismatched ----- Command is invalid (Error code "102") PIN code is beyond %1 available range ----- Command is invalid (Error code "?")  When Logo Lock is disabled: PIN code is within %1 available range ----- Command is valid (Acceptable) PIN code is out of %1 available range ----- Command is invalid (Error code "?")  Note: When Logo Lock is enabled, matching Logo PIN code switches Logo but Logo Lock is not cancelled (Lock status is kept). *When %2="USER" is received, error code "101" is returned, in the case of Capture non-practice.	
Response	Acceptable	"000" [CR]
	Unacceptable	"Error Code" [CR]



**8.9.29 CF\_FANSPEED Command**

Command	"CF_FANSPEED_%1" [CR]	
%1	"MAX" ----- Select Maximum speed of Fan Control "NOR" ----- Select Normal speed of Fan Control	
Details	Switch Fan Control Speed. (Valid only when in the normal Power ON status.) The status set by this command is stored in EEPROM and the setting remains effective after the power is turned to ALL OFF status.	
Response	Acceptable	"000" [CR]
	Unacceptable	"Error Code" [CR]

**8.9.30 CF\_RCODE Command**

Command	"CF_RCODE_%1" [CR]	
%1	"ALL" ----- Select ALL "001" ----- Select Code 1 "002" ----- Select Code 2 : : "063" ----- Select Code 63 "064" ----- Select Code 64 "UP" ----- The same operation as pressing Up key or Left key "DN" ----- The same operation as pressing Down key or Right key	
Details	Select Remote Control Code (Valid only when in the normal Power ON status) The status set by this command is stored in EEPROM and the setting remains effective after the power is turned to ALL OFF status.	
Response	Acceptable	"000" [CR]
	Unacceptable	"Error Code" [CR]

**8.9.31 CF\_RSENS Command**

Command	"CF_RSENS_%1" [CR]	
%1	"ALL" ----- Select top, front and back receiver of projector "FRONTTOP" ----- Select front and top receivers of projector "BACKTOP" ----- Select only back and top receivers of projector "FRONTBACK" ----- Select only front and back receivers of projector "FRONT" ----- Select only front receiver of projector "TOP" ----- Select only top receiver of projector "BACK" ----- Select only back receiver of projector "UP" ----- The same operation as pressing Up key or Left key "DN" ----- The same operation as pressing Down key or Right key	
Details	Select location of infrared remote receiver of remote control (Available only in the normal Power ON status) The status set by this command is stored in EEPROM and setting remains effective even after the power is turned to ALL OFF status.	
Response	Acceptable	"000" [CR]
	Unacceptable	"Error Code" [CR]

**8.9.32 CF\_P-MANE Command**

Command	"CF_P-MANE_%1" [CR]	
%1	"OFF" ----- Set Power Management to Off "READY" ----- Set Power Management to Ready "SHUTDOWN" ----- Set Power Management to Shut Down mode "UP" ----- The same operation as pressing Up key or Left key "DN" ----- The same operation as pressing Down key or Right key	
Details	Set/Cancel Power Management. (Valid only when in the normal Power ON status.) The status set by this command is stored in EEPROM and the setting remains	

	effective after the power is turned to ALL OFF status.	
Response	Acceptable	"000" [CR]
	Unacceptable	"Error Code" [CR]

### 8.9.33 CF\_P-MANETIME Command

Command	"CF_P-MANETIME_%1" [CR]	
%1	"01" - "30" ----- Directly specify setting time by the minute "UP" ----- Increment value by 1 (Switched in 01→02→ --- → 30 → 01 order) "DN" ----- Decrement value by 1 (Switched in 30→29→ --- → 01 → 30 order)	
Details	Set time of Power Management time (Available only in the normal Power ON status). The status set by this command is stored in EEPROM and setting remains effective even after the power is turned to ALL OFF status.	
Response	Acceptable	"000" [CR]
	Unacceptable	"Error Code" [CR]

### 8.9.34 CF\_ON-STA Command

Command	"CF_ON-STA_%1" [CR]	
%1	"ON" ----- Set Direct on active. "OFF" ----- Set Direct on inactive. "UP" ----- The same operation as pressing Up key or Left key "DN" ----- The same operation as pressing Down key or Right key *"UP" and "DN" are exactly same operation.	
Details	Set/Cancel Direct Power On (Only valid when it is in the normal Power ON status) The status set by this command is stored in EEPROM and the setting remains effective after the power is turned to ALL OFF status.	
Response	Acceptable	"000" [CR]
	Unacceptable	"Error Code" [CR]

### 8.9.35 CF\_KEYDIS Command

Command	"CF_KEYDIS_%1" [CR]	
%1	"NONE" ----- RC & KEY are valid "RC" ----- RC is invalid "KEY" ----- KEY is invalid	
Details	Set the limitation of RC/KEY use (Valid only when in the normal Power ON status)	
Response	Acceptable	"000" [CR]
	Unacceptable	"Error Code" [CR]

### 8.9.36 CF\_PJPINCODE Command

Command	"CF_PJPINCODE_%1" [CR]	
%1	"0000 – 9999" ----- Directly specify PJ PIN code	
Details	Enter PIN code to cancel PIN code lock (Available only in the normal Power ON status) PIN code can not be changed. (Only PIN code lock is canceled.)  *When PIN code Lock is enabled: PIN code is matched ----- Command is valid (Acceptable) PIN code is mismatched ----- Command is invalid (Error code "102") PIN code is beyond %1 available range ----- Command is invalid (Error code "?") When PIN code lock is canceled: PIN code is within %1 range ----- Command is valid (Acceptable) PIN code is out of %1 range ----- Command is invalid (Error code is "?")	

	This command is only valid when “PJ PIN code” dialog is displayed to enter PIN code after Power is ON and Countdown is completed. When PIN code lock is set to “On1”, it needs to send this command every time the projector is turned on.	
Response	Acceptable	“000” [CR]
	Unacceptable	“Error Code” [CR]

**8.9.37 CF\_SHUTRCPROT Command**

Command	“CF_SHUTRCPROT_%1” [CR]	
%1	“ON” ----- Disable RC key from controlling Shutter (Protection On) “OFF” ----- Enable RC key to control Shutter (Protection Off)	
Details	Set valid / invalid of RC use on Shutter control function (Valid only when in the normal Power ON status)	
Response	Acceptable	“000” [CR]
	Unacceptable	“Error Code” [CR]

**8.9.38 CF\_SHUTKEYPROT Command**

Command	“CF_SHUTKEYPROT_%1” [CR]	
%1	“ON” ----- Disable key on the side panel from controlling Shutter (Protection On) “OFF” ----- Enable key on the side panel to control Shutter (Protection Off)	
Details	Set valid / invalid use of key on the top panel on Shutter control function. (Valid only when in the normal Power ON status)	
Response	Acceptable	“000” [CR]
	Unacceptable	“Error Code” [CR]

**8.9.39 CF\_SHUTH Command**

Command	“CF_SHUTH_%1” [CR]	
%1	“005”-“480”-----Specify setting time directly “UP” ----- Add 1 minute “DN” -----Decrease 1 minute	
Details	Set time of operating shutter management function. (Valid only when in the normal Power ON status) The status set by this command is stored in EEPROM and setting remains effective even after the power is turned to ALL OFF status.	
Response	Acceptable	“000” [CR]
	Unacceptable	“Error Code” [CR]

**8.9.40 CF\_SHUTEFFECT Command**

Command	“CF_SHUTEFFECT_%1” [CR]	
%1	“OFF” -----Disable fade in and out function of Shutter “L1” ----- Set fade in and out function of Shutter to L1 “L2” ----- Set fade in and out function of Shutter to L2	
Details	Set Effect function of Shutter. (Valid only when in the normal Power ON status) When L1 is selected, projected image quickly fade in and out. When L2 is selected, projected image slowly fade in and out. The status set by this command is stored in EEPROM and setting remains effective even after the power is turned to ALL OFF status.	
Response	Acceptable	“000” [CR]
	Unacceptable	“Error Code” [CR]

**8.9.41 CF\_SHUTRELEASE Command**

Command	"CF_SHUTRELEASE_%1" [CR]	
%1	"ANY"-----Enable to release Shutter with any key "SHUTTER" ----- Enable to release Shutter with only "SHUTTER" key	
Details	Set Release key of Shutter. (Valid only when in the normal Power ON status) The status set by this command is stored in EEPROM and setting remains effective even after the power is turned to ALL OFF status.	
Response	Acceptable	"000" [CR]
	Unacceptable	"Error Code" [CR]

**8.9.42 CF\_DELAYCTRL Command**

Command	"CF_DELAYCTRL_%1" [CR]	
%1	"OFF"----- Set Video delay control to OFF "LOW"----- Set Video delay control to LOW "MID"----- Set Video delay control to MID "HIGH"----- Set Video delay control to HIGH	
Details	Select the mode of Video delay control (Valid only when in the normal Power ON status) The status set by this command is stored in EEPROM and setting remains effective even after the power is turned to ALL OFF status.	
Response	Acceptable	"000" [CR]
	Unacceptable	"Error Code" [CR]

**8.9.43 CF\_CCAPTIONDISP Command**

Command	"CF_CCAPTIONDISP_%1" [CR]	
%1	"OFF" ----- Select Off "CC1" ----- Select CC1 "CC2" ----- Select CC2 "CC3" ----- Select CC3 "CC4" ----- Select CC4	
Details	Select channel of Closed caption. The status set with this command is stored in EEPROM and its setting is effective even after ALL is OFF. This command is available in normal Power ON status. Note) Closed caption is available under conditions below; Entered signal is appropriate (NTSC signal from Video or S-video) or System is fixed to NTSC.	
Response	Acceptable	"000" [CR]
	Unacceptable	"Error Code" [CR]

**8.9.44 CF\_CCAPTIONCOLOR Command**

Command	"CF_CCAPTIONCOLOR_%1" [CR]	
%1	"COLOR" ----- Select Color "WHITE" ----- Select White	
Details	Select color of Closed caption. The status set with this command is stored in EEPROM and its setting is effective even after ALL is OFF. This command is available in normal Power ON status. Note) Closed caption is available under conditions below; Entered signal is appropriate (NTSC signal from Video or S-video) or System is fixed to NTSC.	
Response	Acceptable	"000" [CR]
	Unacceptable	"Error Code" [CR]

**8.9.45 CF\_FILH Command**

Command	"CF_FILH_%1" [CR]	
%1	"RST" ----- Reset Filter used time	
Details	Reset used time for filter of projector	
Response	Acceptable	"000" [CR]
	Unacceptable	"Error Code" [CR]

**8.9.46 CF\_FILTERTIMER Command**

Command	"CF_FILTERTIMER_%1" [CR]	
%1	"01000" ----- Set 1000 hours (for a normal cleaning filter) "02000" ----- Set 2000 hours (for a normal cleaning filter) "03000" ----- Set 3000 hours (for a normal cleaning filter) "04000" ----- Set 4000 hours (for a normal cleaning filter) "05000" ----- Set 5000 hours (for a normal cleaning filter) "00010" ----- Set 10 hours (for a smoke proof filter) "00015" ----- Set 15 hours (for a smoke proof filter) "00020" ----- Set 20 hours (for a smoke proof filter) "OFF" ----- Set Off (Do not warning display)	
Details	Set time to display Filter cleaning / replacement warning on screen	
Response	Acceptable	"000" [CR]
	Unacceptable	"Error Code" [CR]

**8.9.47 CF\_FILTYPE Command**

Command	"CF_FILTYPE_%1" [CR]	
%1	"NOMAL" ----- Normal cleaning filter "SMOKE" ----- Smoke proof filter	
Details	Set type of filter	
Response	Acceptable	"000" [CR]
	Unacceptable	"Error Code" [CR]

**8.9.48 CF\_PTIMEMODE Command**

Command	"CF_PTIMEMODE_%1" [CR]	
%1	"COUNTUP" ----- Set P-timer to Count up mode "COUNTDN" ----- Set P-timer to Count down mode	
Details	Select count up/down mode of P-timer. (Available only in the normal Power ON status) The status set by this command is stored in EEPROM and setting value remains effective even after the power is turned to ALL OFF status.	
Response	Acceptable	"000" [CR]
	Unacceptable	"Error Code" [CR]

**8.9.49 CF\_PTIMER Command**

Command	"CF_PTIMER_%1" [CR]	
%1	"START" ----- Start P-timer "STOP" ----- Stop P-timer "RESTART" ----- Resume P-timer "RST" ----- Reset P-timer "EXIT" ----- Exit P-timer function	

Details	Select the status of P-timer. (Available only in the normal Power ON status)	
Response	Acceptable	"000" [CR]
	Unacceptable	"Error Code" [CR]

### 8.9.50 CF\_PTIME Command

Command	"CF_PTIME_%1" [CR]	
%1	"001" – "180" ----- Directly specify setting time	
Details	Set the time for Count down mode of P-timer. (Available only in the normal Power ON status) The status set by this command is stored in EEPROM and setting value remains effective even after the power is turned to ALL OFF status.	
Response	Acceptable	"000" [CR]
	Unacceptable	"Error Code" [CR]

### 8.9.51 CF\_TESTPAT Command

Command	"CF_TESTPAT_%1" [CR]	
%1	"COLOR" ----- Display Color bar "GRAD1" ----- Display 16step(white→black) "GRAD2" ----- Display 16step(white←black) "GRAD3" ----- Display 16step(white↓black) "GRAD4" ----- Display 16step(white↑black) "WHITE" ----- Display all white "BLACK" ----- Display all black "CROSS" ----- Display Cross "OFF" ----- Do not show test pattern display	
Details	Execute test pattern display.(Available only in the normal Power ON status)	
Response	Acceptable	"000" [CR]
	Unacceptable	"Error Code" [CR]

### 8.9.52 CF\_FDEFAULT Command

Command	"CF_FDEFAULT_%1" [CR]	
%1	"RST"	
Details	Return the settings to Factory Default status (Valid only when in the normal Power ON status)	
Response	Acceptable	"000" [CR]
	Unacceptable	"Error Code" [CR]

**8.10 Other Command**

**8.10.1 CF\_KEYEMU Command**

Command	"CF_KEYEMU_%1" [CR]	
%1	<p>"RIGHT" ----- Move Pointer rightward in On-Screen Display Menu                  "LEFT" ----- Move Pointer leftward in On-Screen Display Menu                  "UP" ----- Move Pointer to upward On-Screen Display Menu                  "DN" ----- Move Pointer to downward in On-Screen Display Menu                  "SELECT" ----- The same operation as "SELECT" button of RC                  "AUTOPC" ----- Execute Auto PC Adj. operation                  "LENSSHIFT" -----Return the Lens to center position</p>	
Details	<p>The same operation as Control Key.                  Auto PC Adj. operation is not stopped before getting back a return value during this Auto PC Adj. operation even if this command is received again.</p> <p>*When transmit command of CF_KEYEMU parameter                  - When User menu is displayed: function is carried out with having displayed User menu.                  - When User menu isn't displayed: error code "101" is returned, function is non-practice.</p> <p>* "101" is not returned even if a command of CF_KEYEMU is transmitted when cursor moves to the item which cannot toggle at an edge of the main menu.</p> <p>example:                  Display main menu, and move to second menu of Image adj.                  Move a cursor to "Quit" position, and transmit a command of KEYEMU_DN. Then a cursor doesn't toggle and "000" is returned.</p> <p>*When transmit command of CF_KEYEMU_AUTOPC                  - When practice of Auto pc adj is possible: Function is practice, "000" is returned.                  - When practice of Auto pc adj is impossible: display exclamation mark, "000" is returned.</p>	
Response	Acceptable	"000" [CR]
	Unacceptable	"Error Code" [CR]

**8.10.2 CF\_MENU Command**

Command	"CF_MENU_%1" [CR]	
%1	<p>"ON" ----- Display On-Screen Display Menu                  "OFF" ----- Hide On-Screen Display Menu</p>	
Details	Set On-Screen Display mode. (Available only in the normal Power ON status)	
Response	Acceptable	"000" [CR]
	Unacceptable	"Error Code" [CR]

### 8.10.3 CF\_POWER Command

Command	"CF_POWER_%1" [CR]	
%1	"ON" ----- Power ON "OFF" ----- Power OFF * Issuing another command during countdown process forced countdown operation to be terminated. * Error Code is returned in some projector statuses, which indicates the command is impossible to be executed. (See [8.3] for details) * Returning the response "000" [CR] (acceptable) does not always mean that the status has already changed to Power ON. Ex: When the temperature approaches abnormal status after returning "000" [CR] to the command CF_POWER ON. Therefore, to get the projector status requires using Status Read command.	
Details	Set Power to ON/OFF	
Response	Acceptable	"000" [CR]
	Unacceptable	"Error Code" [CR]

### 8.10.4 CF\_FREEZE Command

Command	"CF_FREEZE_%1" [CR]	
%1	"ON" ----- Set Freeze to ON. "OFF" ----- Set Freeze to OFF. "UP" ----- The same operation as pressing Up key or Left key "DN" ----- The same operation as pressing Down key or Right key	
Details	Set / Cancel Freeze function. (Available only in the normal Power ON status) Receiving FREEZE_ON command when the projector is Freeze enabled, Freeze status is kept.	
Response	Acceptable	"000" [CR]
	Unacceptable	"Error Code" [CR]

### 8.10.5 CF\_VMUTE Command

Command	"CF_VMUTE_%1" [CR]	
%1	"ON" ----- Set Video Mute to ON (Shutter Close). "OFF" ----- Set Video Mute to OFF (Shutter Open).	
Details	ON / OFF Video Mute function. (Available only in the normal Power ON status)	
Response	Acceptable	"000" [CR]
	Unacceptable	"Error Code" [CR]



## 9. Status Read Command

### 9.1 Format

- 1) PC issues a command in the format below:

**"CR\_ Command" [CR]**

Command: String

- 2) When the projector receives the applicable command, it returns the required information as a data string.

**"000\_" %1 [CR]**

%1: required Information (a data string. Refer to [Basic Status Read Command Table])

- 3) When the received data cannot be decoded, the projector returns "?" [CR]

### 9.2 Transfer Example

Getting total dots of the projector by Expand Serial Commands

PC → PJ: "CR\_TDOTS" [CR]

PC ← PJ: "000\_1344" [CR]

### 9.3 Operation condition

Basically it should be always operated.

## 9.4 Image Status Read Commands

### 9.4.1 CR\_CONT Command

Command	"CR_CONT" [CR]	
Details	Get user controlled value of Contrast	
Response	Acceptable	"000_%1" [CR]
	%1	"000" – "063"
	Unacceptable	"?" [CR]

### 9.4.2 CR\_BRIGHT Command

Command	"CR_BRIGHT" [CR]	
Details	Get user controlled value of Brightness	
Response	Acceptable	"000_%1" [CR]
	%1	"000" – "063"
	Unacceptable	"?" [CR]

### 9.4.3 CR\_COLOR Command

Command	"CR_COLOR" [CR]	
Details	Get user controlled value of Color	
Response	Acceptable	"000_%1" [CR]
	%1	"000" – "063"
	Unacceptable	"Error Code" [CR] -----When command is invalid in the given condition (such as being selected input) "?" [CR] ----- When unknown command is received

### 9.4.4 CR\_TINT Command

Command	"CR_TINT" CR]	
Details	Get user controlled value of Tint	
Response	Acceptable	"000_%1" [CR]
	%1	"000" – "063"
	Unacceptable	"Error Code" [CR] -----When command is invalid in the given condition (such as being selected input) "?" [CR] ----- When unknown command is received

### 9.4.5 CR\_APCTRL Command

Command	"CR_APCTRL" [CR]	
Details	Get setting status of Auto Picture Control	
Response	Acceptable	"000_%1" [CR]
	%1	"L1" ----- Operate Auto Picture Control with Level1 "L2" ----- Operate Auto Picture Control with Level2 "OFF" ----- Set Auto Picture Control OFF
	Unacceptable	"?" [CR]

**9.4.6 CR\_COLTEMP Command**

Command	"CR_COLTEMP" [CR]	
Details	Get Color Temperature setting status	
Response	Acceptable	"000_%1" [CR]
	%1	"000" ~"003" "BLANK" ---- OSD Menu is blank (Neither of Xlow / Low / Mid / High)
	Unacceptable	"?" [CR]

**9.4.7 CR\_WBAL-R Command**

Command	"CR_WBAL-R" [CR]	
Details	Get user controlled Red value of White Balance	
Response	Acceptable	"000_%1" [CR]
	%1	"000" – "063"
	Unacceptable	"?" [CR]

**9.4.8 CR\_WBAL-G Command**

Command	"CR_WBAL-G" [CR]	
Details	Get user controlled Green value of White Balance	
Response	Acceptable	"000_%1" [CR]
	%1	"000" – "063"
	Unacceptable	"?" [CR]

**9.4.9 CR\_WBAL-B Command**

Command	"CR_WBAL-B" [CR]	
Details	Get user controlled Blue value of White Balance	
Response	Acceptable	"000_%1" [CR]
	%1	"000" – "063"
	Unacceptable	"?" [CR]

**9.4.10 CR\_OFFSET-R Command**

Command	"CR_OFFSET-R" [CR]	
Details	Get user controlled Red value of Offset	
Response	Acceptable	"000_%1" [CR]
	%1	"000" – "063"
	Unacceptable	"?" [CR]

**9.4.11 CR\_OFFSET-G Command**

Command	"CR_OFFSET-G" [CR]	
Details	Get user controlled Green value of Offset	
Response	Acceptable	"000_%1" [CR]
	%1	"000" – "063"
	Unacceptable	"?" [CR]

**9.4.12 CR\_OFFSET-B Command**

Command	"CR_OFFSET-B" [CR]	
Details	Get user controlled Blue value of Offset	
Response	Acceptable	"000_%1" [CR]
	%1	"000" – "063"
	Unacceptable	"?" [CR]

**9.4.13 CR\_SHARP Command**

Command	"CR_SHARP" [CR]	
Details	Get user controlled value of Sharpness	
Response	Acceptable	"000_%1" [CR]
	%1	"000" – "031"
	Unacceptable	"?" [CR]

**9.4.14 CR\_GAMMA Command**

Command	"CR_GAMMA" [CR]	
Details	Get user controlled value of Gamma	
Response	Acceptable	"000_%1" [CR]
	%1	"000" – "015"
	Unacceptable	"?" [CR]

**9.4.15 CR\_NZRED Command**

Command	"CR_NZRED" [CR]	
Details	Get Noise Reduction setting status	
Response	Acceptable	"000_%1" [CR]
	%1	"ON" ----- Noise Reduction is ON "OFF" ----- Noise Reduction is OFF
	Unacceptable	"Error Code" [CR] -----When command is invalid in the given condition (such as being selected input) "?" [CR] ----- When unknown command is received

**9.4.16 CR\_PROGV Command**

Command	"CR_PROGV" [CR]	
Details	Get Progressive scan setting status	
Response	Acceptable	"000_%1" [CR]
	%1	"ON" ----- Set Progressive scan On "FILM" ----- Select FILM mode "OFF" ----- Set Progressive scan Off
	Unacceptable	"Error Code" [CR] -----When command is invalid in the given condition (such as being selected input) "?" [CR] ----- When unknown command is received

**9.4.17 CR\_IMAGE Command**

Command	"CR_IMAGE" [CR]	
Details	Get image setting status. The Required data "CUSTOM1" – "CUSTOM10" corresponds to "Image1" – "Image10" displayed when selecting Image on OSD Menu.	
Response	Acceptable	"000_%1" [CR]
	%1	"STAND" ----- Standard "REAL" ----- Real "CINEMA" ----- Cinema "DYNAMIC" ----- Dynamic "CUSTOM1" ----- "Image1" "CUSTOM2" ----- "Image2" "CUSTOM3" ----- "Image3" "CUSTOM4" ----- "Image4" "CUSTOM5" ----- "Image5" "CUSTOM6" ----- "Image6" "CUSTOM7" ----- "Image7" "CUSTOM8" ----- "Image8" "CUSTOM9" ----- "Image9" "CUSTOM10" ----- "Image10"
	Unacceptable	"Error Code" [CR] ----- When command is invalid in the given condition (such as being selected input) "?" [CR] ----- When unknown command is received

**9.4.18 CR\_IMGGMD Command**

Command	"CR_IMGGMD" [CR]	
Details	Get setting status of Standard/Real/Cinema/Dynamic in Image Gamma	
Response	Acceptable	"000_%1" [CR]
	%1	"STD" ----- Standard "REL" ----- Real "CNM" ----- Cinema "DYN" ----- Dynamic
	Unacceptable	"?" [CR]

**9.4.19 CR\_ADVCOL Command**

Command	"CR_ADVCOL" [CR]	
Details	Get setting status of Advanced color	
Response	Acceptable	"000_%1" [CR]
	%1	"AUTO" ----- Operate Advanced color with Auto "OFF" ----- Set Advanced color OFF
	Unacceptable	"?" [CR]

## 9.5 PC Status Read Commands

### 9.5.1 CR\_FSYNC Command

Command	"CR_FSYNC" [CR]	
Details	Get value of Fine Sync	
Response	Acceptable	"000_%1" [CR]
	%1	"0000" – "0031"
	Unacceptable	"Error Code" [CR] ----- When command is invalid in the given condition (such as being selected input) "?" [CR] ----- When unknown command is received

### 9.5.2 CR\_TDOTS Command

Command	"CR_TDOTS" [CR]	
Details	Get value of Total Dots	
Response	Acceptable	"000_%1" [CR]
	%1	"mmmm" – "nnnn" (mmmm = Display area H + Position H) (nnnn = Maximum value less than 160 MHz of Dot Clock)
	Unacceptable	"Error Code" [CR] ----- When command is invalid in the given condition (such as being selected input) "?" [CR] ----- When unknown command is received

### 9.5.3 CR\_H-POS Command

Command	"CR_H-POS" [CR]	
Details	Get value of Horizontal Position	
Response	Acceptable	"000_%1" [CR]
	%1	"0000" – "nnnn" (nnnn = Total Dots - Display Area H)
	Unacceptable	"Error Code" [CR] ----- When command is invalid in the given condition (such as being selected input) "?" [CR] ----- When unknown command is received

### 9.5.4 CR\_V-POS Command

Command	"CR_V-POS" [CR]	
Details	Get value of Vertical Position	
Response	Acceptable	"000_%1" [CR]
	%1	"0000" – "nnnn" (nnnn = Total Line - Display Area V)
	Unacceptable	"Error Code" [CR] ----- When command is invalid in the given condition (such as being selected input) "?" [CR] ----- When unknown command is received

**9.5.5 CR\_CLAMP Command**

Command	"CR_CLAMP" [CR]	
Details	Get value of Clamp	
Response	Acceptable	"000_%1" [CR]
	%1	"0000" – "4095"
	Unacceptable	"Error Code" [CR] ----- When command is invalid in the given condition (such as being selected input) "?" [CR] ----- When unknown command is received

**9.5.6 CR\_DDOTS Command**

Command	"CR_DDOTS" [CR]	
Details	Get value of Display Dots	
Response	Acceptable	"000_%1" [CR]
	%1	"0256"- "nnnn" (nnnn = Total Dots – Position H)
	Unacceptable	"Error Code" [CR] ----- When command is invalid in the given condition (such as being selected input) "?" [CR] ----- When unknown command is received

**9.5.7 CR\_DLINE Command**

Command	"CR_DLINE" [CR]	
Details	Get value of Display Line	
Response	Acceptable	"000_%1" [CR]
	%1	"0100" – " nnnn" (nnnn = Total Line – Position V)
	Unacceptable	"Error Code" [CR] ----- When command is invalid in the given condition (such as being selected input) "?" [CR] ----- When unknown command is received

**9.5.8 CR\_ORGMODE Command**

Command	"CR_ORGMODE" [CR]	
Details	Get the original signal of current selected Mode that is set in PC Adj. When MODE1- 10 or EXT11-60 is not selected, get the current signal.	
Response	Acceptable	"000_%1" [CR]
	%1	<p>When input signal is PC Analog;</p> <p>"VGA1" ----- Indicates signal is VGA1                      "VGA2" ----- Indicates signal is VGA2                      :                      "XGA1" ----- Indicates signal is XGA1                      :                      "WXGA3" ----- Indicates signal is WXGA3                      "1080i60" ----- Indicates signal is 1080i60                      "1080i50" ----- Indicates signal is 1080i50                      "1035i" ----- Indicates signal is 10350i                      "720P60" ----- Indicates signal is 720p60                      "720P50" ----- Indicates signal is 720p50                      "576P" ----- Indicates signal is 576p                      "480P" ----- Indicates signal is 480p                      "576i" ----- Indicates signal is 576i                      "480i" ----- Indicates signal is 480i                      "1080PSF/24" ----- Indicates signal is 1080psf/24                      "1080PSF/25" ----- Indicates signal is 1080psf/25                      "1080PSF/30" ----- Indicates signal is 1080psf/30                      "1080p24" ----- Indicates signal is 1080p24                      "1080p25" ----- Indicates signal is 1080p25                      "1080p30" ----- Indicates signal is 1080p30                      "1080p50" ----- Indicates signal is 1080p50                      "1080p60" ----- Indicates signal is 1080p60</p> <p>Note; To differentiate between 60Hz and 50Hz in 1080i and 720p,                      "60" or "50" is necessary to add to the parameter in this command                      * When input signal is not PC Analog, error code "101" is returned.</p>
	Unacceptable	"?" [CR]

**9.5.9 CR\_PCSTORE Command**

Command	"CR_PCSTORE" [CR]	
Details	Get Free or Stored status of MODE1 - 5 in PC Adjust. Data consists of 10 bytes and each byte represents MODE1-10.(F:Free, S:Stored)	
Response	Acceptable	"000_%1" [CR]
	%1	<p>"FFFFFFFF" ----- ALL Free                      "SFFFFFFFF" ----- Mode1 is Stored, others are Free                      :                      "FFFFFFFFS" ----- Mode10 is Stored, others are Free                      "SSSSSSSSSS" ----- ALL Stored</p>
	Unacceptable	<p>"Error Code" [CR] ----- When command is invalid in the given condition (such as being selected input)                      "?" [CR] ----- When unknown command is received</p>



## 9.6 Video Status Read Command

### 9.6.1 CR\_SERSYS Command

Command	"CR_SERSYS" [CR]	
Details	Get currently selected signal. Value only when Input is video. (Invalid when Input is computer)	
Response	Acceptable	"000_%1" [CR]
	%1	"1080PSF/24" ----- 1080psf 24Hz "1080P60" ----- 1080p 60Hz "1080P50" ----- 1080p 50Hz "1080P30" ----- 1080p 30Hz "1080P25" ----- 1080p 25Hz "1080P24" ----- 1080p 24Hz "1080i60" ----- 1080i 60Hz / 1080psf 30Hz "1080i50" ----- 1080i 50Hz / 1080psf 25Hz "1035i" ----- 1035i "720P60" ----- 720p 60Hz "720P50" ----- 720p 50Hz "576P" ----- 576p "480P" ----- 480p "576i" ----- 576i (includes composite signal such as PAL) "480i" ----- 480i (includes composite signal such as NTSC) "NO_SIGNAL" ----- There is no signal  *When 1080psf30 or 1080psf25 is inputted in System Auto, parameter same as 1080i60/1080i50 is returned.
	Unacceptable	"?" [CR]

## 9.7 Input Read Command

### 9.7.1 CR\_INPUT Command

Command	"CR_INPUT" [CR]	
Details	Get selected INPUT No.	
Response	Acceptable	"000_%1" [CR]
	%1	"1" – "4"
	Unacceptable	"?" [CR]

### 9.7.2 CR\_SOURCE Command

Command	"CR_SOURCE" [CR]	
Details	Get selected Source	
Response	Acceptable	"000_%1" [CR]
	%1	"DIGITAL" ----- DVI Input is selected "ANALOG" ----- ANALOG RGB is selected "VIDEO" ----- Video Input is selected "S-VIDEO" ----- S-VIDEO Input is selected "YPBPR" ----- Y, Pb/Cb, Pr/Cr Input is selected "SD11" ----- DF-SDI1 Input is selected "SDI2"----- DF-SDI2 Input is selected "HDCP" ----- HDCP Input is selected "HDMI" ----- HDMI Input is selected "SCART" ----- SCART Input is selected "NOCARD" ----- There is no board inserted
	Unacceptable	"Error Code" [CR] ----- When command is invalid in the given condition (such as being selected input) "?" [CR] ----- When unknown command is received

**9.7.3 CR\_SYSTEM Command**

Command	"CR_SYSTEM" [CR]		
Details	Get selected System		
Response	%1	Acceptable	"000_%1" [CR]
		Input is PC Analog	"VGA1" ----- indicates VGA1 is selected "VGA2" ----- indicates VGA2 is selected : "XGA1" ----- indicates XGA1 is selected : "WXGA3" ----- indicates WXGA3 is selected "1080I" ----- indicates 1080i is selected "1035I" ----- indicates 1035i is selected "720P" ----- indicates 720p is selected "5766P" ----- indicates 576p is selected "480P" ----- indicates 480p is selected "576I" ----- indicates 576i is selected "480I" ----- indicates 480i is selected "1080PSF/24" ----- indicates 1080psf/24 is selected "1080PSF/25" ----- indicates 1080psf/25 is selected "1080PSF/30" ----- indicates 1080psf/30 is selected "MODE1" ----- indicates Mode1 is selected : "MODE10" ----- indicates Mode10 is selected "EXT11" ----- indicates EXT11 is selected : "EXT60" ----- indicates EXT60 is selected * Error Code "101" [CR] is returned for no signal
		Input is PC-Digital/ AV-HDCP	"D-XGA1" ----- indicates D-XGA1 is selected : "D-WXGA3" ----- indicates D-WXGA3 is selected "D-1080I" ----- indicates D-1080i is selected "D-1035I" ----- indicates D-1035i is selected "D-720P" ----- indicates D-720p is selected "D-576P" ----- indicates D-576p is selected "D-480P" ----- indicates D-480p is selected "D-1080PSF/24" ----- indicates D-1080psf/24 is selected "D-1080PSF/25" ----- indicates D-1080psf/25 is selected "D-1080PSF/30" ----- indicates D-1080psf/30 is selected * Error Code "101" [CR] is returned for no signal
		Input is HDMI	"D-XGA1" ----- indicates D-XGA1 is selected : "D-WXGA3" ----- indicates D-WXGA3 is selected "D-1080I" ----- indicates D-1080i is selected "D-1035I" ----- indicates D-1035i is selected "D-720P" ----- indicates D-720p is selected "D-576P" ----- indicates D-576p is selected "D-480P" ----- indicates D-480p is selected * Error Code "101" [CR] is returned for no signal
		Input is Y,Pb/Cb,Pr/Cr	"AUTO" ----- indicates Auto is selected "1080P" ----- indicates 1080p is selected "1080I" ----- indicates 1080i60Hz is selected "1035I" ----- indicates 1035i is selected "720P" ----- indicates 720p is selected "576P" ----- indicates 576p is selected "480P" ----- indicates 480p is selected "576I" ----- indicates 576i is selected "480I" ----- indicates 480i is selected * Selected System is returned, whether or not signal is coming.

		Input is Video or S-video	<p>“AUTO” ----- indicates Auto is selected</p> <p>“NTSC” ----- indicates NTSC is selected</p> <p>“NTSC443” ----- indicates NTSC4.43 is selected</p> <p>“PAL” ----- indicates PAL is selected</p> <p>“SECAM” ----- indicates SECAM is selected</p> <p>“PAL-M” ----- indicates PAL-M is selected</p> <p>“PAL-N” ----- indicates PAL-N is selected</p> <p>* Selected System is returned, whether or not signal is coming.</p>
		Input is Dual-SDI	<p>“D-480I” ----- indicates D-480i is selected</p> <p>“D-576I” ----- indicates D-576i is selected</p> <p>“D-1035I” ----- indicates D-1035i is selected</p> <p>“D-1080I” ----- indicates D-1080i is selected</p> <p>“D-720P” ----- indicates D-720p is selected</p> <p>“D-1080P” ----- indicates D-1080p is selected</p> <p>“D-1080PSF/24” ----- indicates D-1080psf/24 is selected</p> <p>“D-1080I” ----- Indicates 1080i is selected</p> <p>* Error Code “101” [CR] is returned for no signal</p>
		Unacceptable	“Error Code” [CR]

### 9.7.4 CR\_SYSLIST Command

Command	“CR_SYSLIST” [CR]	
Details	Get possible systems for System list	
Response	Acceptable	“000_%1_%2_---_%x” [CR]
	%1	<p>Error Code “101” is returned for no signal. Otherwise following values are returned according to Source.</p> <p>When input is PC-Analog;</p> <p>“XGA1” ----- XGA1 is in the list</p> <p>“1080I” ----- 1080i is in the list</p> <p>“1080PSF/24” ----- 1080psf/24 is in the list</p> <p>“1080PSF/25” ----- 1080psf/25 is in the list</p> <p>“1080PSF/30” ----- 1080psf/30 is in the list</p> <p>* Auto, Mode1-10 shall not be returned.</p> <p>When input is PC-digital or AV-HDCP;</p> <p>“D-XGA” ----- D-XGA is in the list</p> <p>“D-720P” ----- D720p is in the list</p> <p>“D-1080PSF/24” ----- D1080psf/24 is in the list</p> <p>“D-1080PSF/25” ----- D1080psf/25 is in the list</p> <p>“D-1080PSF/30” ----- D1080psf/30 is in the list</p> <p>When input is Y,Pb/Cb,Pr/Cr;</p> <p>All possible systems in Menu, including Auto, are returned;</p> <p>“AUTO” ----- Auto is in the list</p> <p>“1080I” ----- 1080i is in the list</p> <p>“1035I” ----- 1035i is in the list</p> <p>:</p> <p>“576I” ----- 576i is in the list</p> <p>“480I” ----- 480i is in the list</p> <p>When input is Video or S-video;</p> <p>All possible systems in Menu, including Auto, are returned;</p> <p>“AUTO” ----- Auto is in the list</p> <p>“PAL” ----- PAL is in the list</p> <p>“SECAM” ----- SECAM is in the list</p> <p>:</p> <p>“PAL-N” ----- PAL-N is in the list</p>
	Unacceptable	“Error Code” [CR]

### 9.7.5 CR\_MODELIST Command

Command	"CR_MODELIST" [CR]	
Details	Get possible modes for Mode list	
Response	Acceptable	"000_%1_%2_---_%x" [CR]
	%1	Error Code "101" is returned except for PC-Analog and for no signal with PC-Analog Possible modes in Mode1-10 are returned when PC-Analog signal is coming.  "MODE1" "MODE2" "MODE3" : : "MODE8" "MODE9" "MODE10"
	Unacceptable	"Error Code" [CR]

### 9.7.6 CR\_SRCINP1 Command

Command	"CR_SRCINP1" [CR]	
Details	Get Source of Input1	
Response	Acceptable	"000_%1" [CR]
	%1	"DIGITAL" ----- in Computer mode "ANALOG" ----- in Computer mode "VIDEO" ----- in Video mode "S-VIDEO" ----- in Video mode "YPBPR" ----- in Component mode "SDI1" ----- in DF-SDI1 mode "SDI2" ----- in DF-SDI2 mode "HDCP" ----- in HDCP mode "HDMI" ----- in HDMI mode "SCART" ----- in SCART mode "NOCARD" ----- There is no board inserted
	Unacceptable	"?" [CR]

### 9.7.7 CR\_SRCINP2 Command

Command	"CR_SRCINP2" [CR]	
Details	Get Source of Input 2	
Response	Acceptable	"000_%1" [CR]
	%1	The same data as CF_SRCINP1
	Unacceptable	"?" [CR]

### 9.7.8 CR\_SRCINP3 Command

Command	"CR_SRCINP3" [CR]	
Details	Get Source of Input 3	
Response	Acceptable	"000_%1" [CR]
	%1	The same data as CF_SRCINP1
	Unacceptable	"?" [CR]

**9.7.9 CR\_SRCINP4 Command**

Command	"CR_SRCINP3" [CR]	
Details	Get Source of Input 4	
Response	Acceptable	"000_%1" [CR]
	%1	The same data as CF_SRCINP1
	Unacceptable	"?" [CR]

**9.7.10 CR\_HMSLOT Command**

Command	"CR_HMSLOT" [CR]	
Details	Get the total number of Slots(Inputs)	
Response	Acceptable	"000_%1" [CR]
	%1	"004"
	Unacceptable	"?" [CR]

**9.7.11 CR\_NMSLOT1 Command**

Command	"CR_NMSLOT1" [CR]	
Details	Get the board name inserted to Slot1	
Response	Acceptable	"000_%1" [CR]
	%1	"DUAL-SDI" ----- HD&SD-SDI board "NOTERMIAL" ----- There is no board inserted
	Unacceptable	"?" [CR]

**9.7.12 CR\_NMSLOT2 Command**

Command	"CR_NMSLOT2" [CR]	
Details	Get the board name inserted to Slot 2	
Response	Acceptable	"000_%1" [CR]
	%1	The same data as CR_NMSLOT1
	Unacceptable	"?" [CR]

**9.7.13 CR\_NMSLOT3 Command**

Command	"CR_NMSLOT3" [CR]	
Details	Get the board name inserted to Slot 3	
Response	Acceptable	"000_%1" [CR]
	%1	The same data as CR_NMSLOT1
	Unacceptable	"?" [CR]

**9.7.14 CR\_NMSLOT4 Command**

Command	"CR_NMSLOT4" [CR]	
Details	Get the board name inserted to Slot 4	
Response	Acceptable	"000_%1" [CR]
	%1	The same data as CR_NMSLOT1
	Unacceptable	"?" [CR]

**9.7.15 CR\_IDSLOT1 Command**

Command	"CR_IDSLOT1" [CR]	
Details	Get ID information on Slot 1. This command is used to recognize the inserted board and specify the valid Input source.	
Response	Acceptable	"000_%1" [CR]
	%1	"08" ----- DUAL-SDI board Valid Input Source: SDI1, SDI2 "32" ----- On-board(DVI-D+D-Sub+HDMI) Valid Input Source: DIGITAL, ANALOG, HDCP, SCART, HDMI "42" ----- On-board(5BNC+S-video) Valid Input Source: ANALOG, YPBPR, VIDEO,S-VIDEO "99" ----- No board inserted
	Unacceptable	"?" [CR]

**9.7.16 CR\_IDSLOT2 Command**

Command	"CR_IDSLOT2" [CR]	
Details	Get ID information on Slot 2. This command is to recognize the inserted slot board and specify the valid Input source.	
Response	Acceptable	"000_%1" [CR]
	%1	The same as CR_IDSLOT1
	Unacceptable	"?" [CR]

**9.7.17 CR\_IDSLOT3 Command**

Command	"CR_IDSLOT3" [CR]	
Details	Get ID information on Slot 3. This command is to recognize the inserted slot board and specify the valid Input source.	
Response	Acceptable	"000_%1" [CR]
	%1	The same as CR_IDSLOT1
	Unacceptable	"?" [CR]

**9.7.18 CR\_IDSLOT4 Command**

Command	"CR_IDSLOT4" [CR]	
Details	Get ID information on Slot 4. This command is to recognize the inserted slot board and specify the valid Input source.	
Response	Acceptable	"000_%1" [CR]
	%1	The same as CR_IDSLOT1
	Unacceptable	"?" [CR]

## 9.8 Screen Status Read Commands

### 9.8.1 CR\_SCREEN Command

Command	"CR_SCREEN" [CR]	
Details	Get currently selected screen image size	
Response	Acceptable	"000_%1" [CR]
	%1	"NORMAL" ----- Normal mode "WIDE" ----- Wide(16:9) mode "ZOOM" ----- Zoom mode "FULL" ----- Full mode "TRUE" ----- True mode "CUSTOM" ----- Custom mode
	Unacceptable	"Error Code" [CR] ----- When command is invalid in the given condition (such as being selected input) "?" [CR] ----- When unknown command is received

### 9.8.2 CR\_KYSTNMODE Command

Command	"CR_KYSTNMODE" [CR]	
Details	Get setting status of Keystone Store Mode	
Response	Acceptable	"000_%1" [CR]
	%1	"STR" ----- Store mode is "Store" "RST" ----- Store mode is "Reset"
	Unacceptable	"?" [CR] ----- When unknown command is received

### 9.8.3 CR\_CORNERTESTPAT Command

Command	"CR_CORNERTESTPAT" [CR]	
Details	Get setting status of test pattern for Corner correction	
Response	Acceptable	"000_%1" [CR]
	%1	"RED" ----- Test pattern is red "WHITE" ----- Test pattern is white "BLUE" ----- Test pattern is blue "OFF" ----- Test pattern is not displayed
	Unacceptable	"?" [CR] ----- When unknown command is received

### 9.8.4 CR\_CEIL Command

Command	"CR_CEIL" [CR]	
Details	Get setting status of Ceiling	
Response	Acceptable	"000_%1" [CR]
	%1	"ON" ----- Ceiling projection is enabled "OFF" ----- Ceiling projection is disabled
	Unacceptable	"Error Code" [CR]

### 9.8.5 CR\_REAR Command

Command	"CR_REAR" [CR]	
Details	Get setting status of Rear function	
Response	Acceptable	"000_%1" [CR]
	%1	"ON" ----- Rear projection is enabled "OFF" ----- Rear projection is disabled



	Unacceptable	"Error Code" [CR]
--	--------------	-------------------

### 9.8.6 CR\_VSCALE Command

Command	"CR_VSCALE" [CR]	
Details	Get setting status of V scale	
Response	Acceptable	"000_%1" [CR]
	%1	"-32" – "035"
	Unacceptable	"Error Code" [CR]

### 9.8.7 CR\_VPOS Command

Command	"CR_VPOS" [CR]	
Details	Get setting status of V Position	
Response	Acceptable	"000_%1" [CR]
	%1	"-15" – "015"
	Unacceptable	"Error Code" [CR]

### 9.8.8 CR\_HSCALE Command

Command	"CR_HSCALE" [CR]	
Details	Get setting status of H scale	
Response	Acceptable	"000_%1" [CR]
	%1	"-32" – "035"
	Unacceptable	"Error Code" [CR]

### 9.8.9 CR\_HPOS Command

Command	"CR_HPOS" [CR]	
Details	Get setting status of H Position	
Response	Acceptable	"000_%1" [CR]
	%1	"-15" – "015"
	Unacceptable	"Error Code" [CR]

## 9.9 Lamp Status Read Commands

### 9.9.1 CR\_LAMPREPL Command

Command	"CR_LAMPREPL" [CR]	
Details	Get the information of Lamp Replacement time	
Response	Acceptable	"000_%1" [CR]
	%1	<p>"4****"</p> <p>4 ----- indicates 4 lamps are used in this model.                      * ----- indicates the status of each lamp in lamp number order.                      "Y" means the lamp operating time is over the threshold for lamp replacement, and "N" means it has not reached to.</p> <p>e.g.                      "4NYYN" ----- This indicates it is 4-lamps system, and Lamp #1 and #4 have not been reached to the replacement time while #2 and #3 should be replaced.</p>
	Unacceptable	"?" [CR]

### 9.9.2 CR\_LAMPMODE Command

Command	"CR_LAMPMODE" [CR]	
Details	Get Lamp mode setting status	
Response	Acceptable	"000_%1" [CR]
	%1	<p>"4LAMP" ----- Lamp mode is set to 4-Lamps                      "2LAMPAUTO" --- Lamp mode is set to 2-Lamps (Auto) and automatically and preferentially uses lamps with shorter cumulated lighting time                      "2LAMP23" ---- Lamp mode is set to 2-Lamps (LAMP2 and 3)                      "2LAMP14" ---- Lamp mode is set to 2-Lamps (LAMP1 and 4)</p>
	Unacceptable	"Error Code" [CR]

### 9.9.3 CR\_AUTOLAMPCTRL Command

Command	"CR_AUTOLAMPCTRL" [CR]	
Details	Get selected Lamp control mode	
Response	Acceptable	"000_%1" [CR]
	%1	<p>"NORMAL" ----- NORMAL is selected.                      "ECO1" ----- ECO1 is selected.                      "ECO2" ----- ECO2 is selected.                      "AUTO" ----- AUTO is selected.</p>
	Unacceptable	"Error Code" [CR]

### 9.9.4 CR\_LAMPSTS Command

Command	"CR_LAMPSTS" [CR]	
Details	Get the information of Lamp lighting status	
Response	Acceptable	"000_%1" [CR]

	%1	<p>"4****"</p> <p>The first character indicates 4 lamps are used in this model. The following characters indicate each lamp status in lamp number order as showed below.</p> <p>"I" ----- Lamp is ON                  "O" ----- Lamp is OFF                  "X" ----- Lamp Failure</p> <p>e.g.                  "4IOX1" ----- This indicates it is 4-lamps system, Lamp #1 and #4 are ON, Lamp #2 is OFF, and Lamp #3 is failed.</p>
	Unacceptable	"?" [CR]

**9.9.5 CR\_INFLAMP Command**

Command	"CR_INFLAMP" [CR]	
Details	Get Lamp mode switching status	
Response	Acceptable	"000_%1" [CR]
	%1	"NML" -- in Normal status (lamp switching operation is not active.)
	Unacceptable	"?" [CR]

**9.9.6 CR\_PROJH Command**

Command	"CR_PROJH" [CR]	
Details	Get total running time of projector (in hours)	
Response	Acceptable	"000_%1" [CR]
	%1	"0000000" – "0099999"
	Unacceptable	"?" [CR]

**9.9.7 CR\_HMLAMP Command**

Command	"CR_HMLAMP" [CR]	
Details	Get total lamp number	
Response	Acceptable	"000_%1" [CR]
	%1	"004"
	Unacceptable	"?" [CR]

**9.9.8 CR\_LAMPH Command**

Command	"CR_LAMPH" [CR]	
Details	Get Lamp running time (in hours) * return actual lamp running time	
Response	Acceptable	"000_%1_%2_%3_%4" [CR]

	%1_%2 %3_%4	<p>Lamp 1 data comes first, and then one space, after that lamp 2 data is followed.                  %1 = lamp No.1                  %2 = lamp No.2                  %3 = lamp No.3                  %4 = lamp No.4</p> <p>※ In the case of 2-lamps model, % 1 and % 2 are only used                  (There are no % 3 and % 4)                  e.g.; "00410_00410_00410_00410" [CR]                  .... → Lamp No.1 = 410 Hours                  Lamp No.2 = 410 Hours                  Lamp No.3 = 410 Hours                  Lamp No.4 = 410 Hours</p>
	Unacceptable	"Error Code" [CR]

**9.9.9 CR\_LAMPCORRESPH Command**

Command	"CR_LAMPCORRESPH" [CR]	
Details	Get Lamp running time (in hours) *return lamp running time multiplied by a coefficient (not actual running time)	
Response	Acceptable	"000_%1" [CR]
	%1	"00000"- "99999"
	Unacceptable	"Error Code" [CR]

**9.9.10 CR\_LAMPINTERVAL Command**

Command	"CR_LAMPINTERVAL" [CR]	
Details	Get setting status of Lamp interval	
Response	Acceptable	"000_%1" [CR]
	%1	"0024"----- 24 Hours is selected "0200"----- 200 Hours is selected "0500"----- 500 Hours is selected "1000"----- 1000 Hours is selected "2000"----- 2000 Hours is selected "OFF" ----- Off is selected
	Unacceptable	"?" [CR]

## 9.10 Setting Status Read Commands

### 9.10.1 CR\_LANG Command

Command	"CR_LANG" [CR]	
Details	Get selected language	
Response	Acceptable	"000_%1" [CR]
	%1	"ENG" ----- English is selected "DEU" ----- German is selected "FRA" ----- French is selected "ITA" ----- Italian is selected "ESP" ----- Spanish is selected "POR" ----- Portuguese is selected "RUS" ----- Russian is selected "CHI" ----- Chinese is selected "KOR" ----- Korean is selected "JPN" ----- Japanese is selected
	Unacceptable	"?" [CR]

### 9.10.2 CR\_DISP Command

Command	"CR_DISP" [CR]	
Details	Get Display setting status	
Response	Acceptable	"000_%1" [CR]
	%1	"ON" ----- Display is set to ON. "CNTDWN OFF" ----- Display is set to Count down OFF. "OFF" ----- Display is set to OFF.
	Unacceptable	"?" [CR]

### 9.10.3 CR\_BACKGND Command

Command	"CR_BACKGND" [CR]	
Details	Get setting status of Screen for no signal	
Response	Acceptable	"000_%1" [CR]
	%1	"BLUE" ----- Blue Back is selected "USER" ----- User is selected "BLACK" ----- Black Back is selected

### 9.10.4 CR\_EDGE BLENDING Command

Command	"CR_EDGE BLENDING" [CR]	
Details	Get setting status of Edge blending	
Response	Acceptable	"000_%1" [CR]
	%1	"ON" ----- On is selected "OFF" ----- Off is selected
	Unacceptable	"Error Code" [CR]

### 9.10.5 CR\_BLEND Command

Command	"CR_BLEND" [CR]	
Details	Get all values set for Width in Edge blending	
Response	Acceptable	"000_%1_%2_%3_%4" [CR]
	%1, %2, %3, %4	<p>Left width data comes first, and then one space, after that right width data is followed.</p> <p>%1 = Left width %2 = Right width %3 = Top width %4 = Bottom width</p> <p>e.g. "0100_0100_0100_0100"[CR] →Left = width 100 Right = width 100 Top = width 100 Bottom = width 100</p>
	Unacceptable	"Error Code" [CR]

### 9.10.6 CR\_BLENDSTART Command

Command	"CR_BLENDSTART" [CR]	
Details	Get all values set for Start in Edge blending	
Response	Acceptable	"000_%1_%2_%3_%4" [CR]
	%1, %2, %3, %4	<p>Left width data comes first, and then one space, after that right width data is followed.</p> <p>%1 = Left width %2 = Right width %3 = Top width %4 = Bottom width</p> <p>e.g. "0100_0100_0100_0100"[CR] →Left = width 100 Right = width 100 Top = width 100 Bottom = width 100</p>
	Unacceptable	"Error Code" [CR]

### 9.10.7 CR\_BLENDBLK Command

Command	"CR_BLENDBLK" [CR]	
Details	Get all values set for Black level in Edge blending	
Response	Acceptable	"000_%1_%2_%3" [CR]
	%1, %2, %3	<p>Data of red comes first, and then one space, after that data of green is followed.</p> <p>%1 = Red %2 = Green %3 = Blue</p> <p>e.g. "0100_0100_0100"[CR] →Red = 100 Green = 100 Blue = 100</p>
	Unacceptable	"Error Code" [CR]

**9.10.8 CR\_BLENDTESTPAT Command**

Command	"CR_BLENDTESTPAT" [CR]	
Details	Get setting status of Test pattern of Edge blending	
Response	Acceptable	"000_%1" [CR]
	%1	"ON" ----- On is selected "OFF" ----- Off is selected
	Unacceptable	"Error Code" [CR]

**9.10.9 CR\_COLORMATCHING Command**

Command	"CR_COLORMATCHING" [CR]	
Details	Get setting status of Color matching	
Response	Acceptable	"000_%1" [CR]
	%1	"ON" ----- On is selected "OFF" ----- Off is selected
	Unacceptable	"Error Code" [CR]

**9.10.10 CR\_CMMSXY\_%1 Command**

Command	"CR_CMMSXY_%1" [CR]	
Details	Get "x","y" value of Measured of Color matching	
Response	Acceptable	"000_%2_%3" [CR]
	%1	"RED" ----- value of Red is selected "GREEN" ----- value of Green is selected "BLUE" ----- value of Blue is selected
	%2	"0000"-1000"----- "x" value of color of %1
	%3	"0000"-1000"----- "y" value of color of %1
	Unacceptable	"Error Code" [CR]

**9.10.11 CR\_CMMSL\_%1 Command**

Command	"CR_CMMSL_%1" [CR]	
Details	Get "L" value of Measured of Color matching	
Response	Acceptable	"000_%2" [CR]
	%1	"RED" ----- value of Red is selected "GREEN" ----- value of Green is selected "BLUE" ----- value of Blue is selected
	%2	"0000"-1000"----- "L" value of color of %1
	Unacceptable	"Error Code" [CR]

**9.10.12 CR\_CMTGXY\_%1 Command**

Command	"CR_CMMTGXY_%1" [CR]	
Details	Get "x"y" value of Target of Color matching	
Response	Acceptable	"000_%2" [CR]
	%1	"RED" ----- value of Red is selected "GREEN" ----- value of Green is selected "BLUE" ----- value of Blue is selected "WHITE" ----- value of White is selected "CYAN" ----- value of Cyan is selected "MAGENTA" ----- value of Magenta is selected "YELLOW" ----- value of Yellow is selected
	%2	"0000"-"1000"----- "x" value of color of %1
	%3	"0000"-"1000"----- "y" value of color of %1
	Unacceptable	"Error Code" [CR]

**9.10.13 CR\_CMTGG\_%1 Command**

Command	"CR_CMMTGG_%1" [CR]	
Details	Get "g" value of Target of Color matching	
Response	Acceptable	"000_%2" [CR]
	%1	"RED" ----- value of Red is selected "GREEN" ----- value of Green is selected "BLUE" ----- value of Blue is selected "WHITE" ----- value of White is selected "CYAN" ----- value of Cyan is selected "MAGENTA" ----- value of Magenta is selected "YELLOW" ----- value of Yellow is selected
	%2	"0000"-"1000"----- "g" value of color of %1
	Unacceptable	"Error Code" [CR]

**9.10.14 CR\_CMAUTOTESTPAT Command**

Command	"CR_CMAUTOTESTPAT" [CR]	
Details	Get setting status of Auto test pattern of Color matching	
Response	Acceptable	"000_%1" [CR]
	%1	"ON" ----- On is selected "OFF" ----- Off is selected
	Unacceptable	"Error Code" [CR]

**9.10.15 CR\_CMMSTESTPAT Command**

Command	"CR_CMMSTESTPAT" [CR]	
Details	Get setting status of Test pattern(Measured) of Color matching	
Response	Acceptable	"000_%1" [CR]
	%1	"RED" ----- Red is displayed "GREEN" ----- Green is displayed "BLUE" ----- Blue is displayed "OFF" ----- Test pattern display is not displayed
	Unacceptable	"Error Code" [CR]



**9.10.16 CR\_CMTGTESTPAT Command**

Command	"CR_CMTGTESTPAT" [CR]	
Details	Get setting status of Test pattern(Target) of Color matching	
Response	Acceptable	"000_%1" [CR]
	%1	"RED" ----- Red is displayed "GREEN" ----- Green is displayed "BLUE" ----- Blue is displayed "WHITE" ----- White is displayed "CYAN" ----- Cyan is displayed "MAGENTA" ----- Magenta is displayed "YELLOW" ----- Yellow is displayed "OFF" ----- Test pattern display is not displayed
	Unacceptable	"Error Code" [CR]

**9.10.17 CR\_HDMISETUP Command**

Command	"CR_HDMISETUP" [CR]	
Details	Get setting status of HDMI setup	
Response	Acceptable	"000_%1" [CR]
	%1	"NORMAL" ----- Normal is selected "ENHANCED" ----- Enhanced is selected
	Unacceptable	"Error Code" [CR]

**9.10.18 CR\_LOGO Command**

Command	"CR_LOGO" [CR]	
Details	Get Logo setting status	
Response	Acceptable	"000_%1" [CR]
	%1	"DFLT" ----- Default Logo is enabled "USER" ----- User is enabled "OFF" ----- Off is enabled
	Unacceptable	"?" [CR]

**9.10.19 CR\_LOGOLOCK Command**

Command	"CR_LOGOLOCK" [CR]	
Details	Get setting status of Logo Lock function	
Response	Acceptable	"000_%1" [CR]
	%1	"ON" ----- Logo Lock is ON "OFF" ----- Logo Lock is OFF
	Unacceptable	"Error Code" [CR]

**9.10.20 CR\_FANSPEED Command**

Command	"CR_FANSPEED" [CR]	
Details	Get currently selected Fan Control Speed	
Response	Acceptable	"000_%1" [CR]
	%1	"MAX" ----- Max speed of Fan Control is selected "NOR" ----- Normal speed of Fan Control is selected
	Unacceptable	"?" [CR]

**9.10.21 CR\_RCODE Command**

Command	"CR_RCODE" [CR]	
Details	Get currently selected Remote Control code	
Response	Acceptable	"000_%1" [CR]
	%1	"ALL" ----- All "001" ----- Code1 "002" ----- Code2 : "063" ----- Code63 "064" ----- Code64
	Unacceptable	"?" [CR]

**9.10.22 CR\_RSENS Command**

Command	"CR_RSENS" [CR]	
Details	Get selected location of infrared remote receiver of remote control	
Response	Acceptable	"000_%1" [CR]
	%1	"ALL" ----- Select top, front and back receiver of projector "FRONTTOP" ----- Select front and top receiver of projector "BACKTOP" ----- Select back and top receiver of projector "FRONTBACK" ----- Select front and back receiver of projector "FRONT" ----- Select only front receiver of projector "TOP" ----- Select only top receiver of projector "BACK" ----- Select only back receiver of projector
	Unacceptable	"?" [CR]

**9.10.23 CR\_P-MANE Command**

Command	"CR_P-MANE" [CR]	
Details	Get setting status of Power management	
Response	Acceptable	"000_%1" [CR]
	%1	"OFF" ----- Power Management is disabled "READY" ----- Power Management is set to Ready "SHUTDOWN" -----Power Management is set to Shut Down mode
	Unacceptable	"?" [CR]

**9.10.24 CR\_P-MANETIME Command**

Command	"CR_P-MAETIME" [CR]	
Details	Get setting time for starting Power Management function	
Response	Acceptable	"000_%1" [CR]
	%1	"001 – 030" ----- 1 to 30 minutes
	Unacceptable	"?" [CR]

**9.10.25 CR\_ON-STA Command**

Command	"CR_ON-STA" [CR]	
Details	Get Direct on setting status	
Response	Acceptable	"000_%1" [CR]
	%1	"ON" ----- Direct on is set to ON. "OFF" ----- Direct on is set to OFF.

	Unacceptable	"?" [CR]
--	--------------	----------

**9.10.26 CR\_KEYDIS Command**

Command	"CR_KEYDIS" [CR]	
Details	Get setting status of RC/KEY use limitation (valid or invalid)	
Response	Acceptable	"000_%1" [CR]
	%1	"NONE" ----- RC & KEY are valid "RC" ----- RC is invalid "KEY" ----- KEY is invalid
	Unacceptable	"?" [CR]

**9.10.27 CR\_SECURITY Command**

Command	"CR_SECURITY" [CR]	
Details	Get ON/OFF setting status of Security on menu.	
Response	Acceptable	"000_%1" [CR]
	%1	"ON" ----- PJ is locked "OFF" ----- PJ is not locked.
	Unacceptable	"Error Code" [CR]

**9.10.28 CR\_PJLOCKNOW Command**

Command	"CR_PJLOCKNOW" [CR]	
Details	Get actual setting status of PIN code lock	
Response	Acceptable	"000_%1" [CR]
	%1	"LOCK" ----- PJ is locked PIN code lock is set to ON1/ON2 on the menu and PJ PIN code is not entered, therefore PJ is actually locked. "FREE" ----- PJ is unlocked (either A or B) A) PJ lock is set to OFF on the menu B) PJ lock is set to ON1/ON2 on the menu, but PIN code Lock mode is canceled because PJ PIN code is entered.
	Unacceptable	"Error Code" [CR]

**9.10.29 CR\_PJLOCKMENU Command**

Command	"CR_PJLOCKMENU" [CR]	
Details	Get ON/OFF setting status of PIN code lock on menu	
Response	Acceptable	"000_%1" [CR]
	%1	"ON1" ----- PIN code lock ON 1 is set on the menu "ON2" ----- PIN code lock ON 2 is set on the menu "OFF" ----- PIN code lock OFF is set on the menu
	Unacceptable	"Error Code" [CR]

**9.10.30 CR\_SHUTRCPROT Command**

Command	"CR_SHUTRCPROT" [CR]	
Details	Get status if Shutter can be controlled by R/C	
Response	Acceptable	"000_%1" [CR]
	%1	"ON" ----- Shutter is not controllable by R/C "OFF" ----- Shutter is controllable by R/C

	Unacceptable	"?" [CR]
--	--------------	----------

**9.10.31 CR\_SHUTKEYPROT Command**

Command	"CR_SHUTKEYPROT" [CR]	
Details	Get status if Shutter can be controlled by key on the side panel	
Response	Acceptable	"000_%1" [CR]
	%1	"ON" ----- Shutter is not controllable by key on the side panel "OFF" ----- Shutter is controllable by key on the side panel
	Unacceptable	"?" [CR]

**9.10.32 CR\_SHUTH Command**

Command	"CR_SHUTH" [CR]	
Details	Get time setting to start the shutter management	
Response	Acceptable	"000_%1" [CR]
	%1	"005" ----- 5 minutes "006" ----- 6 minutes : "479" ----- 479 minutes "480" ----- 480 minutes
	Unacceptable	"?" [CR]

**9.10.33 CR\_SHUTEFFECT Command**

Command	"CR_SHUTEFFECT" [CR]	
Details	Get status of Shutter effect function.	
Response	Acceptable	"000_%1" [CR]
	%1	"OFF" ----- Fade in / out function is set to Off. "L1" ----- Fade in / out function is set to L1. "L2" ----- Fade in / out function is set to L2.
	Unacceptable	"Error Code" [CR]

**9.10.34 CR\_SHUTRELEASE Command**

Command	"CR_SHUTRELEASE" [CR]	
Details	Get status of Shutter release key function.	
Response	Acceptable	"000_%1" [CR]
	%1	"ANY" ----- Enable to release Shutter with any key "SHUTTER" -- Enable to release Shutter with only "SHUTTER" key
	Unacceptable	"Error Code" [CR]

**9.10.35 CR\_DELAYCTRL Command**

Command	"CR_DELAYCTRL" [CR]	
Details	Get setting status of Video delay control	
Response	Acceptable	"000_%1" [CR]
	%1	"OFF" ----- Set Video delay control to OFF "LOW" ----- Set Video delay control to LOW "MID" ----- Set Video delay control to MID "HIGH" ----- Set Video delay control to HIGH

	Unacceptable	"Error Code" [CR]
--	--------------	-------------------

**9.10.36 CR\_CCAPTIONSIDP Command**

Command	"CR_CCAPTIONDISP" [CR]	
Details	Get selected channel of Closed caption	
Response	Acceptable	"000_%1" [CR]
	%1	"OFF" ----- Off "CC1" ----- CC1 is selected "CC2" ----- CC2 is selected "CC3" ----- CC3 is selected "CC4" ----- CC4 is selected
	Unacceptable	"Error Code" [CR]

**9.10.37 CR\_CCAPTIONCOLOR Command**

Command	"CR_CCAPTIONCOLOR" [CR]	
Details	Get selected color of Closed caption	
Response	Acceptable	"000_%1" [CR]
	%1	"COLOR" ----- Color is selected "WHITE" ----- White is selected
	Unacceptable	"Error Code" [CR]

**9.10.38 CR\_FILH Command**

Command	"CR_FILH" [CR]	
Details	Get Filter used time	
Response	Acceptable	"000_%1" [CR]
	%1	"00000 - 99999"
	Unacceptable	"Error Code" [CR]

**9.10.39 CR\_FILCOND Command**

Command	"CR_FILCOND" [CR]	
Details	Get status of filter clog	
Response	Acceptable	"000_%1" [CR]
	%1	"CLOG" = Filter is clogged "WARN" = Filter is nearly clogged "CLEAN" = Filter is not clogged
	Unacceptable	"Error Code" [CR]

**9.10.40 CR\_FILREPL Command**

Command	"CR_FILREPL" [CR]	
Details	Get status of Filter cleaning / replacement time	
Response	Acceptable	"000_%1" [CR]
	%1	"1Y"-----Filter Exchange time is over value of Filter Message. "1N"--Filter Exchange time is not over value of Filter Message.
	Unacceptable	"Error Code" [CR]

**9.10.41 CR\_FILREMAIN Command**

Command	"CR_FILREMAIN" [CR]	
Details	Get the value of Filter counter remaining (remaining life time of the air filter) (%).	
Response	Acceptable	"000_%1" [CR]
	%1	"100" = Filter counter remaining is 100% : "000" = Filter counter remaining is 0%
	Unacceptable	"Error Code" [CR]

**9.10.42 CR\_FILTIMER Command**

Command	"CR_FILTIMER" [CR]	
Details	Get time to display Filter cleaning / replacement warning on screen	
Response	Acceptable	"000_%1" [CR]
	%1	"01000" ---- Display message by 1000h used (for cleaning filter). "02000" ---- Display message by 2000h used (for cleaning filter). "03000" ---- Display message by 3000h used (for cleaning filter). "04000" ---- Display message by 4000h used (for cleaning filter). "05000" ---- Display message by 5000h used (for cleaning filter). "00010" ---- Display message by 10h used (for smoke proof filter). "00015" ---- Display message by 15h used (for smoke proof filter). "00020" ---- Display message by 20h used (for smoke proof filter). "OFF" ----- Off(Warning display is not displayed)
	Unacceptable	"Error Code" [CR]

**9.10.43 CR\_FILTYPE Command**

Command	"CR_FILTYPE" [CR]	
Details	Get the type of filter	
Response	Acceptable	"000_%1" [CR]
	%1	"NORMAL" ---- Normal cleaning filter "SMOKE" ----- Smake proof filter
	Unacceptable	"Error Code" [CR]

**9.10.44 CR\_PTIMEMODE Command**

Command	"CR_PTIMEMODE" [CR]	
Details	Get setting status of count up/down mode in P-timer	
Response	Acceptable	"000_%a" [CR]
	%1	"COUNTUP" ----- Set P-timer to Count up mode "COUNTDN" ----- Set P-timer to Count down mode
	Unacceptable	"Error Code" [CR]

**9.10.45 CR\_PTIMER Command**

Command	"CR_PTIMER" [CR]	
Details	Get setting status of P-timer	
Response	Acceptable	"000_%a" [CR]
	%1	"ON" ----- P-timer is activated "STOP" ----- P-timer is temporarily suspended "OFF" ----- Exit P-timer function

	Unacceptable	"Error Code" [CR]
--	--------------	-------------------

**9.10.46 CR\_PTIME Command**

Command	"CR_PTIME" [CR]	
Details	Get setting time for count down mode of P-timer	
Response	Acceptable	"000_%a" [CR]
	%1	"001" – "180" ----- 1 to 180 minutes
	Unacceptable	"Error Code" [CR]

**9.10.47 CR\_TESTPAT Command**

Command	"CR_TESTPAT" [CR]	
Details	Get setting status of Test pattern	
Response	Acceptable	"000_%1" [CR]
	%1	"COLOR" ----- Color bar is displayed "GRAD1" ----- 16step(white→black) is displayed "GRAD2" ----- 16step(white←black) is displayed "GRAD3" ----- 16step(white↓black) is displayed "GRAD4" ----- 16step(white↑black) is displayed "WHITE" ----- All white is displayed "BLACK" ----- All black is displayed "CROSS" ----- Cross is displayed "OFF" ----- Test pattern display is not displayed
	Unacceptable	"Error Code" [CR]

**9.11 Other Status Read Commands**

**9.11.1 CR\_STATUS Command**

Command	"CR_STATUS" [CR]	
Details	Get operating status of Projector Same as "CR0" in basic command except error code follows it.	
Response	Acceptable	"000_%1" [CR]
	%1	"00" = Power ON "80" = Standby "40" = Countdown in process "20" = Cooling Down in process "10" = Power Failure "28" = Cooling Down in process due to abnormal temperature "88" = Standby after Cooling Down due to abnormal temperature "24" = Power Save/Cooling Down in process "21" = Cooling Down in process after turned Off due to lamp failure "81" = Standby after Cooling Down due to lamp failure "2C" = Cooling Down in process after Power Off due to Shutter management "8C" = Standby after Cooling Down due to Shutter management
	Unacceptable	"Error Code" [CR]

**9.11.2 CR\_SIGNAL Command**

Command	"CR_SIGNAL" [CR]	
Details	Get status if there is any signal or not	
Response	Acceptable	"000_%1" [CR]
	%1	"ON" ----- There is signal "OFF" ----- There is no signal
	Unacceptable	"?" [CR]

**9.11.3 CR\_VMUTE Command**

Command	"CR_VMUTE" [CR]	
Details	Get Video mute setting status	
Response	Acceptable	"000_%1" [CR]
	%1	"ON" ----- Video mute is set to ON (Shutter Close). "OFF" ----- Video mute is set to OFF (Shutter Open).
	Unacceptable	"?" [CR]

**9.11.4 CR\_FREEZE Command**

Command	"CR_FREEZE" [CR]	
Details	Get Freeze setting status	
Response	Acceptable	"000_%1" [CR]
	%1	"ON" ----- Freeze is set to ON. "OFF" ----- Freeze is set to OFF.
	Unacceptable	"?" [CR]



**9.11.5 CR\_TEMPFAIL Command**

Command	"CR_TEMPFAIL" [CR]	
Details	Get the temperature inside the projector when the abnormal status occurs. It is possible to get the temperatures for more than one sensor all at once if it is applicable.	
Response	Acceptable	"000_%1" [CR]
	%1	<p>e.g. "_31.5F"[CR] _ indicates a space. When the temperature goes under 0, the first character is "-", not a space, as in "-05.5F". With more than one temperature sensors installed, projector returns the responses for each sensor in a row.</p> <p>e.g. "_31.5F_35.2S" [CR] The first data indicates sensor 1 data, then one space, and sensor 2 data is followed. Last character in each data indicates the sensor's status. In the abnormal temperature ----- "F" In the safe level of temperature ----- "S" Neither in or close to the abnormal temp. ----- "N"</p> <p>The second example above indicates that the temperature detected by sensor 1 is 31.5 which means in the abnormal temperature, and at sensor 2 is 32.5 degrees which is in the safe temperature.</p> <p>When the abnormal temperature status is not occurred the data should be "_00.0S". When the projector is reset, "_00.0S" is set. Every time abnormal temperature status is detected, it renews the data and returns it. It only returns the renewed data of the latest abnormal temperature and the previous data is cleared.</p>
	Unacceptable	"?" [CR]

**9.11.6 CR\_TEMP Command**

Command	"CR_TEMP"[CR]	
Details	Get the current temperature information inside a projector. It is possible to get the temperatures all at once when several sensors installed.	
Response	Acceptable	"000_%1_%2" [CR]
	%1, %2	<p>%1 ----- Sensor 1 temp. (External temp.)                      %2 ----- Sensor 2 temp. (Internal temp.)                      %1, %2 are fixed 6 characters                      There is one space between %1 and %2</p> <p>e.g. "_31.5F": "_" indicates a space. When the temperature goes under 0, the first character is "-", not a space, as in "-05.5F".                      Last character in each data indicates the sensor's status.                      "E" ----- Exceeding critical temp. (abnormal temp.)                      "W" ----- Approaching critical temp. (Warning temp.)                      "S" ----- Sensor temp. is safe (Safe temp.)                      "N" ----- Sensor detects no critical temp.                      "E" ----- Unable to return the temp. data</p> <p>With more than one temperature sensors installed, projector returns responses in a row.</p> <p>e.g. "_31.5F _35.2S" [CR]                      The first data indicates sensor 1 data, then one space, and sensor 2 data.                      The example shows that sensor 1 indicates 31.5 degrees and the temperature is abnormal, sensor 2 indicates 35.2 degrees and the temperature is safe.                      When it cannot return the temperature data due to hardware error, the last character is "E" as in "_00.0E"                      It might happen for some projectors that the temperature continues to go up to abnormal status as long as lamp ballasts are hot. Therefore when in Standby mode or for several tens of seconds after Power is ON, any treatment of Power Failure is not processed. In that case, the temperature data is represented as "_ ---- N".</p>
	Unacceptable	"Error Code" [CR]

**9.11.7 CR\_SHUTCOND Command**

Command	"CR_SHUTCOND" [CR]	
Details	Get setting status of Shutter	
Response	Acceptable	"000_%1" [CR]
	%1	<p>"SAFE" ----- Shutter operation is normal.                      "FAIL" ----- Shutter operation is abnormal.</p>
	Unacceptable	"Error Code" [CR]

**9.11.8 CR\_OPTCTRLNO Command**

Command	"CR_OPTCTRLNO"[CR]	
Details	Get value of Option control No.	
Response	Acceptable	"000_%1" [CR]
	%1	Four digits of alphanumeric characters
	Unacceptable	"Error Code" [CR]

## 10. Command with Address Specification

### 10.1. Overview

- Commands with address are used to remote control more than one projector through RS-232C by a computer.
- The command with address is defined as a single command per line that starts with “A” and ends with carriage return (0x0D).
- When a projector receives carriage return (0x0D), it starts decoding.
- The address such as “A001” is prefixed to the Basic Serial Command or Expand Serial Command already mentioned.

e.g.) Functional Execution Command: “A001C05” [CR]

e.g.) Status Read Command: “A001CR0” [CR]

- Projector has the function to set up its own address in Service mode.

Initial setting value is “No.001”

Available range of the value is “001” to “999”

- It clears the data in the receive buffer in the following cases.
  - When receiving LF (0x0A) or EOF (0x1A)
  - When it takes more than one second to receive a single command.

(Until receiving carriage return after the reception of the first data)
- It returns the response within 60ms.

### 10.2. Functional Execution Command with address

#### 10.2.1. Format

- 1) PC issues a command in the format below:

“A” **Address** “C” **Command** [CR]

or

“A” **Address** “CF\_” **Command** “\_” **Parameter** [CR]

Address: 3-digit number (“001” – “999”)

Commands with “FFF” as the address are valid to all projectors.

Command: string (Refer to Basic and Expand Serial Command)

- 2) The only projector with the appropriate address decodes the received command, and when it is ready to receive the next command, it returns the response.

**[ACK] [CR]:** When receiving Functional Execution Command (0x06, 0x0D)

“ – “ **[CR]:** When the received data cannot be decoded

However, when the address is “FFF”, the projector executes the function but does not return the response.

### 10.2.2. When the command pipelining is needed

When it needs command pipelining, the operation is the same as the remote control as below:

- 1) Sending-side system issues commands every 100ms
- 2) When receiving an applicable command, the function is executed repeatedly for 120ms.
- 3) When receiving the same command in a row within 120ms, the function is repeatedly executed for another 120ms from the moment of the second command reception.
- 4) When there is no incoming command after 120ms, the execution of pipelining is stopped.
- 5) When the projector receives other command within 120ms, the execution of pipelining is stopped.

### 10.3. Status Read Command with Address

#### 10.3.1. Format

- 1) PC issues a command in the format as below:

“A” **Address** “CR” **Command** [CR]

or

“A” **Address** “CR\_” **Command** [CR]

Address: 3-digit number (“001” – “999”)

Command: string (Refer to Basic and Expand Serial Commands)

- 2) The only projectors that have the address matching with the one in the received data decode the command, and it returns required data.

**Required Data** [CR]

Required Data: String (Refer to Basic Status Read Commands)

- 3) When the received data cannot be decoded, it returns “? “ [CR]