

# XNS series RS232 Control Method

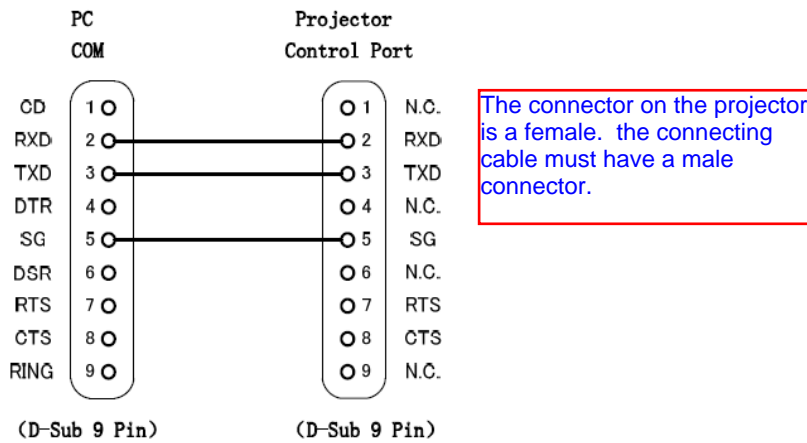
## 1. Connection

### 1.1 Port Setting

Method:	Asynchronous communication:
Bits per seconds	19200
Data bits	8
Parity	none
Stop bits	1
Flow control	none

### 1.2 Wiring

Connect the computer and projector with RS232 direct cable



The connector on the projector is a female. the connecting cable must have a male connector.

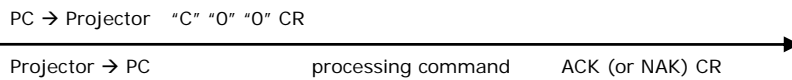
C36

## 2. Communication

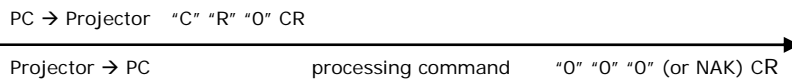
- 2.1 The Projector command is defined one command/one line that starts "C" and ends carriage return CR .
- 2.2 There are two types of command, functional execution commands and status read commands
- 2.3 Response for status read command after accepting has different characters.

Example:

- A. Functional execution command:  
**Power ON** command is sent to the projector with "C00" CR, the projector returns a \*ACK CR or NAK CR code



- B. Status read command:  
**Power Status** command is sent to the projector with "CR0" CR, the projector returns a power status plus CR or NAK CR code



## 3. Command List

Command (HEX+CR)	Function
C00(43 30 30 0D)	POWER ON
C01(43 30 31 0D)	POWER OFF(Power OFF immediately)
C02(43 30 32 0D)	POWER OFF
C05(43 30 35 0D)	VGA IN 1
C06(43 30 36 0D)	VGA IN 2
C07(43 30 37 0D)	Video

C33(43 33 33 0D)	Component
C34(43 33 34 0D)	S-Video
C36(43 33 36 0D)	HDMI
C8E(43 38 45 0D)	Keystone ↑
C8F(43 38 46 0D)	Keystone ↓
C1C(43 31 43 0D)	Menu on
C1D(43 31 44 0D)	Menu off
CR1(43 52 31 0D)	Input mode read
C43(43 34 33 0D)	Still on
C44(43 34 34 00)	Still off
C0D(43 30 44 00)	Blank on
C0E(43 30 45 0D)	Blank off
C8A(43 38 41 0D)	Timer
C0B(43 30 42 0D)	Mute on
C0C(43 30 43 0D)	Mute off
C30(43 33 30 0D)	Digital zoom +
C31(43 33 31 0D)	Digital zoom -
C09(43 30 39 0D)	Volume +
C0A(43 30 41 0D)	Volume -
C19(43 31 39 0D)	Dynamic
C11(43 31 31 0D)	Standard(Image select)
C39(43 33 39 0D)	Colorboard
C0F(43 30 46 0D)	Screen Normal size(4 : 3)
C10(43 31 30 0D)	Screen Wide size(16 : 9)
C13(43 31 33 0D)	Image Cinema
C14(43 31 34 0D)	Image 1
C18(43 31 38 00)	Blackboard
C1E(43 31 45 0D)	DISPLAY CLEAR
C20(43 32 30 0D)	BRIGHTNESS +
C21(43 32 31 0D)	BRIGHTNESS -
C27(43 32 37 0D)	IMAGE (Toggle)
C28(43 32 38 0D)	Direct on Enable
C29(43 32 39 0D)	Direct on Disable
C2A(43 32 41 0D)	Power Management Ready
C2B(43 32 42 0D)	Power Management OFF
C2E(43 32 45 0D)	Power Management Shut down
C3A(43 33 41 0D)	POINTER RIGHT
C3B(43 33 42 0D)	POINTER LEFT
C3C(43 33 43 0D)	POINTER UP
C3D(43 33 44 0D)	POINTER DOWN
C3F(43 33 46 0D)	ENTER
C50(43 35 30 0D)	Computer 1 Analog RGB
C54(43 35 34 0D)	Computer 1 Component
C89(43 38 39 0D)	Auto PC ADJ.
C8B(43 38 42 0D)	Timer(Exit)
CR0(43 52 30 0D)	Get the projector's operation status: "00":Power on "80":standby "40":Countdown in process "20":Cooling Down in process "10":Power Failure "28":Cooling Down in process due to Temperature Anomaly "88":Coming back after Temperature Anomaly "24":Power Management cooling "04":suspend status ( Power management Ready ) "21":Cooling Down in process after lamp off "81":Standby after Cooling Down process due to lamp off

CR4(43 52 34 00)	Get screen setting status: "11":Normal screen setting "10":Rear & Ceiling ON "01": Rear ON "00":Ceiling ON
CR6(43 52 36 0D)	Get the temperature data inside the projector: "%1_%2_%3": %1=Temperature of Sensor 1 %2=Temperature of Sensor 2 %3=Temperature of Sensor 3 Temperature data is shown as "00.0"
CR7(43 52 37 0D)	Get the lamp mode status: "00" Light is out "01" Light is on

CR1

1= HDMI  
2=VGA1  
3=VGA2  
4=COMPONENT  
5=S-VIDEO  
6=VIDEO

CR3

LAMP HOURS