

EXPAND SERIAL COMMAND  
FUNCTIONAL SPECIFICATIONS

**EIKI**

**LC-XL100**  
**LC-XL200**

Ver.1.0

## Contents

<b>1.</b>	<b>Overview</b> .....	9
<b>2.</b>	<b>Serial Interface Specification</b> .....	9
2.1	<b>Transfer Specification</b> .....	9
2.2	<b>Connection</b> .....	9
<b>3.</b>	<b>Notes for communication</b> .....	10
<b>4.</b>	<b>Notation Convention</b> .....	10
<b>5.</b>	<b>Functional Execution Command Table</b> .....	11
5.1	<b>Image Command Table</b> .....	11
5.2	<b>PC Adjust Control Command Table</b> .....	11
5.3	<b>Input Control Command Table</b> .....	11
5.4	<b>Screen Control Command Table</b> .....	11
5.5	<b>Lamp Command Table</b> .....	12
5.6	<b>Sound Command Table</b> .....	12
5.7	<b>Setting Command Table</b> .....	12
5.8	<b>Other Command Table</b> .....	13
<b>6.</b>	<b>Status Read Command Table</b> .....	14
6.1	<b>Image Status Read Command Table</b> .....	14
6.2	<b>PC Adjust Status Read Command Table</b> .....	14
6.3	<b>Video Status Read Command Table</b> .....	14
6.4	<b>Input Status Read Command Table</b> .....	14
6.5	<b>Screen Status Read Command Table</b> .....	15
6.6	<b>Lamp Status Read Command Table</b> .....	15
6.7	<b>Sound Status Read Command Table</b> .....	15
6.8	<b>Setting Status Read Command Table</b> .....	15
6.9	<b>Other Status Read Command Table</b> .....	16
<b>7.</b>	<b>Error Code Table</b> .....	16
<b>8.</b>	<b>Functional Execution Command</b> .....	17
8.1	<b>Format</b> .....	17
8.2	<b>Transfer Example</b> .....	17
8.3	<b>Operation Requirements</b> .....	17
8.4	<b>Image Command</b> .....	18
8.4.1	<b>CF_BRIGHT Command</b> .....	18
8.4.2	<b>CF_CONT Command</b> .....	18
8.4.3	<b>CF_COLOR Command</b> .....	18
8.4.4	<b>CF_TINT Command</b> .....	18
8.4.5	<b>CF_SHARP Command</b> .....	19
8.4.6	<b>CF_GAMMA Command</b> .....	19
8.4.7	<b>CF_WBAL- Command</b> .....	19
8.4.8	<b>CF_COLTEMP Command</b> .....	20

8.4.9	<b>CF_OFFSET</b> Command .....	20
8.4.10	<b>CF_NZRED</b> Command .....	20
8.4.11	<b>CF_PROGV</b> Command .....	21
8.4.12	<b>CF_IMAGE</b> Command .....	21
8.4.13	<b>CF_IMAGEADJ</b> Command .....	22
<b>8.5</b>	<b>PC Adjust Control Command</b> .....	<b>23</b>
8.5.1	<b>CF_FSYNC</b> Command .....	23
8.5.2	<b>CF_TDOTS</b> Command .....	23
8.5.3	<b>CF_CLPPHASE</b> Command .....	23
8.5.4	<b>CF_H-POS</b> Command .....	24
8.5.5	<b>CF_V-POS</b> Command .....	24
8.5.6	<b>CF_DDOTS</b> Command .....	24
8.5.7	<b>CF_DLINE</b> Command .....	25
8.5.8	<b>CF_SETPCADJ</b> Command .....	25
8.5.9	<b>CF_ORGMODE</b> Command .....	26
8.5.10	<b>CF_PCSTORE</b> Command .....	26
8.5.11	<b>CF_PCMODEFREE</b> Command .....	27
<b>8.6</b>	<b>Input Control Command</b> .....	<b>28</b>
8.6.1	<b>CF_INPUT</b> Command .....	28
8.6.2	<b>CF_SOURCE</b> Command .....	28
8.6.3	<b>CF_INPUT 1</b> Command .....	29
8.6.4	<b>CF_INPUT 2</b> Command .....	29
8.6.5	<b>CF_INPUT 3</b> Command .....	29
8.6.6	<b>CF_INPUT 4</b> Command .....	29
8.6.7	<b>CF_SYSTEM</b> Command .....	30
<b>8.7</b>	<b>Screen Control Command</b> .....	<b>31</b>
8.7.1	<b>CF_SCREEN</b> Command .....	31
8.7.2	<b>CF_DZCENT</b> Command .....	31
8.7.3	<b>CF_KEYSTONE</b> Command .....	32
8.7.4	<b>CF_KYSTONMODE</b> Command .....	32
8.7.5	<b>CF_CORNER-UL</b> Command .....	32
8.7.6	<b>CF_CORNER-UR</b> Command .....	33
8.7.7	<b>CF_CORNER-DL</b> Command .....	33
8.7.8	<b>CF_CORNER-DR</b> Command .....	33
8.7.9	<b>CF_CORNERTESTPAT</b> Command .....	34
8.7.10	<b>CF_CEIL</b> Command .....	34
8.7.11	<b>CF_REAR</b> Command .....	34
8.7.12	<b>CF_VSCALE</b> Command .....	35
8.7.13	<b>CF_VPOS</b> Command .....	35
8.7.14	<b>CF_HSCALE</b> Command .....	36

8.7.15 CF_HPOS Command.....	36
<b>8.8 Lamp Command.....</b>	<b>37</b>
8.8.1 CF_LAMPMODE Command.....	37
8.8.2 CF_LAMPLIFECNTRL_ Command .....	37
<b>8.9 Sound Command .....</b>	<b>38</b>
8.9.1 CF_VOLUME Command .....	38
8.9.2 CF_MUTE Command.....	38
8.9.3 CF_BLTINSP Command.....	38
<b>8.10 Setting Command .....</b>	<b>39</b>
8.10.1 CF_LANG Command.....	39
8.10.2 CF_MENUPOSITION Command.....	39
8.10.3 CF_INPUTBUTTON Command.....	39
8.10.4 CF_DISP Command .....	40
8.10.5 CF_BACKGND Command .....	40
8.10.6 CF_LOGO Command .....	41
8.10.7 CF_FILH Command.....	41
8.10.8 CF_FILTIMER Command .....	41
8.10.9 CF_FILCTL Command .....	41
8.10.10 CF_FILSCRL Command .....	42
8.10.11 CF_FANSPEED Command .....	42
8.10.12 CF_SIMPLEMODE Command .....	42
8.10.13 CF_RCODE Command.....	42
8.10.14 CF_RSENS Command .....	43
8.10.15 CF_P-MANE Command .....	43
8.10.16 CF_P-MANETIME Command.....	43
8.10.17 CF_STANDBYMODE Command.....	44
8.10.18 CF_ON-STA Command .....	44
8.10.19 CF_POINTER Command.....	44
8.10.20 CF_PTIMEMODE Command.....	44
8.10.21 CF_PTIMER Command .....	45
8.10.22 CF_PTIME Command.....	45
8.10.23 CF_KEYDIS Command .....	45
8.10.24 CF_PJPINCODE Command.....	46
8.10.25 CF_SHUTRCPROT Command.....	46
8.10.26 CF_SHUTKEYPROT Command .....	46
8.10.27 CF_SHUTH Command .....	47
8.10.28 CF_DELAYCTRL Command .....	47
8.10.29 CF_TESTPAT Command.....	47
8.10.30 CF_FDEFAULT Command .....	47
<b>8.11 Other Commands .....</b>	<b>48</b>

8.11.1	<b>CF_KEYEMU Command</b> .....	48
8.11.2	<b>CF_MENU Command</b> .....	48
8.11.3	<b>CF_POWER Command</b> .....	49
8.11.4	<b>CF_FREEZE Command</b> .....	49
8.11.5	<b>CF_VMUTE Command</b> .....	49
9.	<b>Status Read Command</b> .....	50
9.1	<b>Format</b> .....	50
9.2	<b>Transfer Example</b> .....	50
9.3	<b>Operation Condition</b> .....	50
9.4	<b>Image Status Read Command</b> .....	50
9.4.1	<b>CR_BRIGHT Command</b> .....	50
9.4.2	<b>CR_CONT Command</b> .....	50
9.4.3	<b>CR_COLOR Command</b> .....	50
9.4.4	<b>CR_TINT Command</b> .....	51
9.4.5	<b>CR_SHARP Command</b> .....	51
9.4.6	<b>CR_GAMMA Command</b> .....	51
9.4.7	<b>CR_WBAL-R Command</b> .....	51
9.4.8	<b>CR_WBAL-G Command</b> .....	51
9.4.9	<b>CR_WBAL-B Command</b> .....	52
9.4.10	<b>CR_COLTEMP Command</b> .....	52
9.4.11	<b>CR_OFFSET-R Command</b> .....	52
9.4.12	<b>CR_OFFSET-G Command</b> .....	52
9.4.13	<b>CR_OFFSET-B Command</b> .....	52
9.4.14	<b>CR_NZRED Command</b> .....	53
9.4.15	<b>CR_PROGV Command</b> .....	53
9.4.16	<b>CR_IMAGE Command</b> .....	53
9.4.17	<b>CR_IMGGMD Command</b> .....	53
9.5	<b>PC Adjust Status Read Command</b> .....	54
9.5.1	<b>CR_FSYNC Command</b> .....	54
9.5.2	<b>CR_TDOTS Command</b> .....	54
9.5.3	<b>CR_CLPPHASE Command</b> .....	54
9.5.4	<b>CR_H-POS Command</b> .....	54
9.5.5	<b>CR_V-POS Command</b> .....	55
9.5.6	<b>CR_DDOTS Command</b> .....	55
9.5.7	<b>CR_DLINE Command</b> .....	55
9.5.8	<b>CR_ORGMODE Command</b> .....	56
9.5.9	<b>CR_PCSTORE Command</b> .....	57
9.5.10	<b>CR_SETPCADJ Command</b> .....	57
9.6	<b>Video Status Read Command</b> .....	58
9.6.1	<b>CR_SERSYS Command</b> .....	58

<b>9.7 Input Read Command</b> .....	59
9.7.1 <b>CR_INPUT</b> Command.....	59
9.7.2 <b>CR_SOURCE</b> Command.....	59
9.7.3 <b>CR_SRCINP1</b> Command.....	59
9.7.4 <b>CR_SRCINP2</b> Command.....	59
9.7.5 <b>CR_SRCINP3</b> Command.....	60
9.7.6 <b>CR_SRCINP4</b> Command.....	60
9.7.7 <b>CR_SYSTEM</b> Command.....	61
9.7.8 <b>CR_SYSLIST</b> Command.....	62
9.7.9 <b>CR_MODELIST</b> Command.....	62
9.7.10 <b>CR_HMSLOT</b> Command.....	63
9.7.11 <b>CR_NMSLOT1</b> Command.....	63
9.7.12 <b>CR_NMSLOT2</b> Command.....	63
9.7.13 <b>CR_NMSLOT3</b> Command.....	63
9.7.14 <b>CR_NMSLOT4</b> Command.....	63
9.7.15 <b>CR_IDSLOT1</b> Command.....	64
9.7.16 <b>CR_IDSLOT2</b> Command.....	64
9.7.17 <b>CR_IDSLOT3</b> Command.....	64
9.7.18 <b>CR_IDSLOT4</b> Command.....	64
<b>9.8 Screen Status Read Command</b> .....	65
9.8.1 <b>CR_SCREEN</b> Command.....	65
9.8.2 <b>CR_VSCALE</b> Command.....	65
9.8.3 <b>CR_VPOS</b> Command.....	65
9.8.4 <b>CR_HSCALE</b> Command.....	65
9.8.5 <b>CR_HPOS</b> Command.....	65
9.8.6 <b>CR_KYSTNMODE</b> Command.....	66
9.8.7 <b>CR_CORNERTESTPAT</b> Command.....	66
9.8.8 <b>CR_CEIL</b> Command.....	66
9.8.9 <b>CR_REAR</b> Command.....	66
<b>9.9 Lamp Status Read Command</b> .....	67
9.9.1 <b>CR_LAMPREPL</b> Command.....	67
9.9.2 <b>CR_LAMPH</b> Command.....	67
9.9.3 <b>CR_LAMPCORRESPH</b> Command.....	67
9.9.4 <b>CR_LAMPMODE</b> Command.....	67
9.9.5 <b>CR_LAMPSTS</b> Command.....	67
9.9.6 <b>CR_PROJH</b> Command.....	68
9.9.7 <b>CR_HMLAMP</b> Command.....	68
9.9.8 <b>CR_LAMPLIFECONTRL</b> Command.....	68
<b>9.10 Sound Status Read Command</b> .....	69
9.10.1 <b>CR_VOLUME</b> Command.....	69

9.10.2	<b>CR_MUTE</b> Command .....	69
9.10.3	<b>CR_BLTINSP</b> Command .....	69
9.11	<b>Setting Status Read Command</b> .....	70
9.11.1	<b>CR_LANG</b> Command .....	70
9.11.2	<b>CR_INPUTBUTTON</b> Command .....	70
9.11.3	<b>CR_DISP</b> Command .....	70
9.11.4	<b>CR_BACKGND</b> Command .....	70
9.11.5	<b>CR_LOGO</b> Command .....	71
9.11.6	<b>CR_LOGOLOCK</b> Command .....	71
9.11.7	<b>CR_FILREMAIN</b> Command .....	71
9.11.8	<b>CR_FILH</b> Command .....	71
9.11.9	<b>CR_FILTIMER</b> Command .....	71
9.11.10	<b>CR_FILCOND</b> Command .....	72
9.11.11	<b>CR_FILREPL</b> Command .....	72
9.11.12	<b>CR_FANSPEED</b> Command .....	72
9.11.13	<b>CR_SIMPLEMODE</b> Command .....	72
9.11.14	<b>CR_RCODE</b> Command .....	72
9.11.15	<b>CR_RSENS</b> Command .....	73
9.11.16	<b>CR_RTYPE</b> Command .....	73
9.11.17	<b>CR_P-MANE</b> Command .....	73
9.11.18	<b>CR_P-MANETIME</b> Command .....	73
9.11.19	<b>CR_STANDBYMODE</b> Command .....	73
9.11.20	<b>CR_ON-STA</b> Command .....	74
9.11.21	<b>CR_POINTER</b> Command .....	74
9.11.22	<b>CR_PTIMEMODE</b> Command .....	74
9.11.23	<b>CR_PTIMER</b> Command .....	74
9.11.24	<b>CR_PTIME</b> Command .....	74
9.11.25	<b>CR_KEYDIS</b> Command .....	75
9.11.26	<b>CR_SECURITY</b> Command .....	75
9.11.27	<b>CR_PJLOCKNOW</b> Command .....	75
9.11.28	<b>CR_PJLOCKMENU</b> Command .....	75
9.11.29	<b>CR_SHUTRCPROT</b> Command .....	75
9.11.30	<b>CR_SHUTKEYPROT</b> Command .....	76
9.11.31	<b>CR_SHUTH</b> Command .....	76
9.11.32	<b>CR_DELAYCTRL</b> Command .....	76
9.11.33	<b>CR_TESTPAT</b> Command .....	76
9.12	<b>Other Status Read Commands</b> .....	77
9.12.1	<b>CR_STATUS</b> Command .....	77
9.12.2	<b>CR_SIGNAL</b> Command .....	77
9.12.3	<b>CR_VMUTE</b> Command .....	77

**EIKI LC-XL100/XL200 Expand Serial Command Functional Specifications**

9.12.4 <b>CR_FREEZE</b> Command .....	77
9.12.5 <b>CR_TEMPFAIL</b> Command .....	78
9.12.6 <b>CR_TEMP</b> Command .....	79
9.12.7 <b>CR_SHUTCOND</b> Command .....	79
9.12.8 <b>CR_SERIALNO</b> Command.....	79



**EIKI LC-XL100/XL200 Expand Serial Command Functional Specifications**

**1. Overview**

- This Functional Specification defines communication with PJ-Net organizer for LC-XL100/XL200.
- Supporting Firmware Ver. 1.x of the projector.
- Commands in this document are to communicate with PJ-Net organizer, but most commands are used to control a projector remotely from a computer with RS-232C. Therefore commands in this document are defined as Expand Serial Commands.

**2. Serial Interface Specification**

**2.1 Transfer Specification**

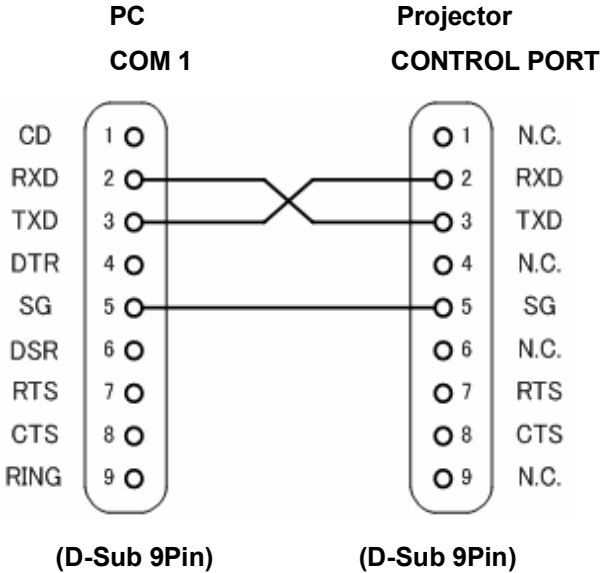
Item	Specification
Synchronous System	Asynchronous
Transmission Speed	9600 / 19200
Data Length	8 bits
Parity	N/A
Stop Bit	1
Flow Control	N/A

Note1) Transmission Speed: initial setting value is 19200

Note2) Transmission Speed can be changed in Service mode.

**2.2 Connection**

Dedicated serial cables must be used for the connection between a computer and a projector.



Connect COM port of the computer to CONTROL PORT of the projector.

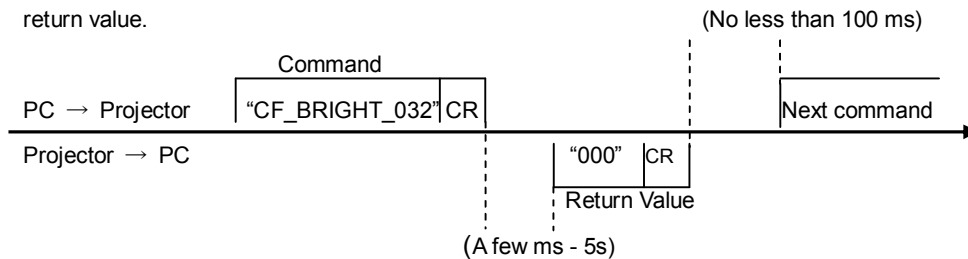
COM Port (COM1 or COM2) of a computer is specified by control software of the computer.

### 3. Notes for communication

1. Expand Serial Command is defined as a single command per line that starts with "C" and ends with carriage return (0x0D).
2. There are two types of commands; Functional Execution Commands and Status Read Command.
  - Example of Functional Execution Command: "CF\_BRIGHT\_032" [CR]
  - Example of Status Read Command: "CR\_BRIGHT" [CR]

Note) "\_" means a space

3. When it takes more than a second to receive a single command, it is not executed.  
When it takes more than a second to receive carriage return (0x0D) since the reception of the first data "C", it clears the information of the receive buffer.
4. When the command pipelining, allow the interval time of no less than 100ms after receiving return value.



5. Do not send another command before the reception of the return value; the operation by the command is not ensured.  
However this is not the case when no response is returned after more than 5 seconds.
6. It takes about 5 seconds for internal initialization after plugging in AC power. During this time, it cannot process commands. Do not issue any command.

### 4. Notation Convention

1. Data from a controller to a projector is represented as COMMAND, and data from a projector to a controller in response to the incoming command is represented as RESPONSE.
2. [CR]: Carriage Return Code  
Carriage Return code is added to the end of the command.  
Response is also followed by carriage return code.
3. \_: Space Code  
Space Code is represented as (\_).
4. %1: Parameter included in Command  
When there are more than one parameter, they are defined as %2, %3...
5. %%%: Error Code returned from a projector  
Acceptable: "000".  
Unacceptable: See [7. Error Code Table].

## 5. Functional Execution Command Table

### 5.1 Image Command Table

Execute command	Item
CF_BRIGHT_%1 [CR]	Set value of Brightness
CF_CONT_%1 [CR]	Set value of Contrast
CF_COLOR_%1 [CR]	Set value of Color
CF_TINT_%1 [CR]	Set value of Tint
CF_SHARP_%1 [CR]	Set value of Sharpness
CF_GAMMA_%1 [CR]	Set value of Gamma
CF_WBAL-R_%1 [CR]	Set Red value of White Balance
CF_WBAL-G_%1 [CR]	Set Green value of White Balance
CF_WBAL-B_%1 [CR]	Set Blue value of White Balance
CF_COLTEMP_%1 [CR]	Set level of Color Temperature
CF_OFFSET-R_%1 [CR]	Set Red value of Offset
CF_OFFSET-G_%1 [CR]	Set Green value of Offset
CF_OFFSET-B_%1 [CR]	Set Blue value of Offset
CF_NZRED_%1 [CR]	Set ON/OFF of Noise reduction
CF_PROGV_%1 [CR]	Set mode of Progressive scan
CF_IMAGE_%1 [CR]	Set Image mode
CF_IMAGEADJ_%1 [CR]	Set Store/Reset of values in Image Adjustment

### 5.2 PC Adjust Control Command Table

Execute command	Item
CF_FSYNC_%1 [CR]	Set value of Fine Sync
CF_TDOTS_%1 [CR]	Set value of Total Dots
CF_CLPPHASE_%1 [CR]	Set value of Clamp Phase
CF_H-POS_%1 [CR]	Set value of Horizontal Position
CF_V-POS_%1 [CR]	Set value of Vertical Position
CF_DDOTS_%1 [CR]	Set value of Display Dots
CF_DLINE_%1 [CR]	Set value of Display Line
CF_SETPCADJ_%1 [CR]	Apply values set in PC Adjust menu to screen image
CF_ORGMODE_%1 [CR]	Specify the original signal for PC mode
CF_PCSTORE_%1 [CR]	Store current setting values in PC Adjust menu to Mode %1
CF_PCMODEFREE_%1 [CR]	Delete the values registered in Mode %1 and return it to Free status.

### 5.3 Input Control Command Table

Execute command	Item
CF_INPUT_%1 [CR]	Select Input
CF_SOURCE_%1 [CR]	Select Source of selected Input
CF_INPUT1_%1 [CR]	Select Input1 and also set input source to %1
CF_INPUT2_%1 [CR]	Select Input2 and also set input source to %1
CF_INPUT3_%1 [CR]	Select Input3 and also set input source to %1
CF_INPUT4_%1 [CR]	Select Input4 and also set input source to %1
CF_SYSTEM_%1 [CR]	Select System of currently selected Input

### 5.4 Screen Control Command Table

Execute command	Item
CF_SCREEN_%1 [CR]	Select Screen size
CF_DZCENT_%1 [CR]	Cancel Digital Zoom mode
CF_KEYSTONE_%1 [CR]	Set Keystone correction
CF_KYSTNMODE_%1 [CR]	Set Keystone store mode
CF_CORNER-UL_%1[CR]	Correct top-left corner
CF_CORNER-UR_%1[CR]	Correct top-right corner
CF_CORNER-DL_%1[CR]	Correct bottom-left corner
CF_CORNER-DR_%1[CR]	Correct bottom-right corner
CF_CORNERTESTPAT_%1[CR]	Select test pattern for Corner correction.
CF_CEIL_%1 [CR]	Set ON/OFF of Ceiling
CF_REAR_%1 [CR]	Set ON/OFF of Rear
CF_VSCALE_%1[CR]	Set V Scale
CF_VPOS_%1[CR]	Set V Position
CF_HSCALE_%1[CR]	Set H Scale
CF_HPOS_%1[CR]	Set H Position

### 5.5 Lamp Command Table

Execute command	Item
CF_LAMPMODE_%1 [CR]	Select Lamp mode
CF_LAMPLIFECNTRL_%1 [CR]	Select Lamp life mode

### 5.6 Sound Command Table

Execute command	Item
CF_VOLUME_%1 [CR]	Set value of Volume
CF_MUTE_%1 [CR]	Set ON/OFF of Sound Mute
CF_BLTINSP_%1 [CR]	Set ON/OFF of Built-in speaker

### 5.7 Setting Command Table

Execute command	Item
CF_LANG_%1 [CR]	Select language for OSD
CF_MENUPOSITION_%1 [CR]	Select the position of the On-Screen Menu.
CF_INPUTBUTTON_%1[CR]	Set up Input search function
CF_DISP_%1 [CR]	Set ON/OFF of On Screen Display
CF_BACKGND_%1[CR]	Select screen for no signal
CF_LOGO_%1 [CR]	Set PIN code and mode for Logo
CF_FILH_%1[CR]	Reset Filter used time
CF_FILTERIMER_%1[CR]	Set time to display Filter cleaning / replacement warning on screen
CF_FILCTL_%1[CR]	Execute operation of scroll of filter
CF_FILSCRL_%1[CR]	Reset Filter scroll counter
CF_FANSPEED_%1 [CR]	Set level of Fan Speed
CF_SIMPLEMODE_%1 [CR]	Set Simple mode function
CF_RCODE_%1 [CR]	Select Remote Control Code
CF_RSENS_%1 [CR]	Select location of infrared remote receiver of remote control
CF_P-MANE_%1 [CR]	Set Power Management function
CF_P-MANETIME_%1 [CR]	Set time of Power Management
CF_STANDBYMODE_%1 [CR]	Set Standby mode
CF_ON-STA_%1 [CR]	Set ON/OFF of Power ON Start
CF_POINTER_%1[CR]	Set Pointer function
CF_PTIMERMODE_%1[CR]	Set count up / count down in P-timer function
CF_PTIMER_%1[CR]	Set the status of P-timer
CF_PTIME_%1[CR]	Set the time for count down mode in P-timer function
CF_KEYDIS_%1 [CR]	Prohibit RC/KEY control
CF_PJPINCODE_%1[CR]	Enter PJ PIN code to cancel PJ lock
CF_SHUTRCPROT_%1[CR]	Set valid / invalid of RC use on Shutter control function

## EIKI LC-XL100/XL200 Expand Serial Command Functional Specifications

<b>CF_SHUTKEYPROT_%1[CR]</b>	Set valid / invalid use of key on the top panel on Shutter control function
<b>CF_SHUTH_%1[CR]</b>	Set time of operating shutter management function
<b>CF_DELAYCTRL_%1[CR]</b>	Set Video delay control function
<b>CF_TESTPAT_%1[CR]</b>	Set Test pattern display function
<b>CF_FDEFAULT_%1 [CR]</b>	Reset to Factory Default settings

### 5.8 Other Command Table

Execute command	Item
<b>CF_KEYEMU_%1 [CR]</b>	The same operation as Control Key
<b>CF_MENU_%1 [CR]</b>	Set ON/OFF of Menu
<b>CF_POWER_%1 [CR]</b>	Set ON/OFF of Power
<b>CF_FREEZE_%1 [CR]</b>	Set ON/OFF of Freeze
<b>CF_VMUTE_%1 [CR]</b>	Set ON/OFF of Video Mute

## 6. Status Read Command Table

### 6.1 Image Status Read Command Table

Status Read command	Item
CR_BRIGHT [CR]	Get value of Brightness
CR_CONT [CR]	Get value of Contrast
CR_COLOR [CR]	Get value of Color
CR_TINT [CR]	Get value of Tint
CR_SHARP [CR]	Get value of Sharpness
CR_GAMMA [CR]	Get value of Gamma
CR_WBAL-R [CR]	Get Red value of White Balance
CR_WBAL-G [CR]	Get Green value of White Balance
CR_WBAL-B [CR]	Get Blue value of White Balance
CR_COLTEMP [CR]	Get value of Color temperature
CR_OFFSET-R[CR]	Get Offset Red
CR_OFFSET-G[CR]	Get Offset Green
CR_OFFSET-B[CR]	Get Offset Blue
CR_NZRED [CR]	Get setting status of Noise reduction
CR_PROGV [CR]	Get setting status of Progressive scan
CR_IMAGE [CR]	Get Selected Image status
CR_IMGGM [CR]	Get setting value of Image Gamma

### 6.2 PC Adjust Status Read Command Table

Status Read command	Item
CR_FSYNC [CR]	Get setting value of Fine Sync
CR_TDOTS [CR]	Get setting value of Total Dots
CR_CLPPHASE [CR]	Get setting value of Clamp phase
CR_H-POS [CR]	Get setting value of Horizontal Position
CR_V-POS [CR]	Get setting value of Vertical Position
CR_DDOTS [CR]	Get setting value of Display Dots
CR_DLINE [CR]	Get setting value of Display Line
CR_ORGMODE [CR]	Get the original signal for PC-Adjusted mode
CR_PCSTORE [CR]	Get status Free/ Stored for PC Adj. mode 1-10
CR_SETPCADJ [CR]	Get currently displayed PC signal in system

### 6.3 Video Status Read Command Table

Status Read command	Item
CR_SERSYS [CR]	Get currently selected signal. In Auto mode, it returns a result by Auto detection.

### 6.4 Input Status Read Command Table

Status Read command	Item
CR_INPUT [CR]	Get selected Input
CR_SOURCE [CR]	Get selected Source
CR_SRCINP1 [CR]	Get selected source for Input 1
CR_SRCINP2 [CR]	Get selected source for Input 2
CR_SRCINP3 [CR]	Get selected source for Input 3
CR_SRCINP4 [CR]	Get selected source for Input 4
CR_SYSTEM [CR]	Get selected system in current Input mode
CR_SYSLIST [CR]	Get possible system list
CR_MODELIST [CR]	Get possible mode list
CR_HMSLOT [CR]	Get total number of Inputs
CR_NMSLOT1 [CR]	Get terminal information of Input1.
CR_NMSLOT2[CR]	Get terminal information of Input2.
CR_NMSLOT3[CR]	Get terminal information of Input3
CR_NMSLOT4[CR]	Get terminal information of Input4.

CR_IDSLOT1[CR]	Get ID information of Input1
CR_IDSLOT2[CR]	Get ID information of Input2
CR_IDSLOT3[CR]	Get ID information of Input3
CR_IDSLOT4[CR]	Get ID information of Input4

**6.5 Screen Status Read Command Table**

Status Read command	Item
CR_SCREEN [CR]	Get selected screen size
CR_VSCALE[CR]	Get setting status of V Scale
CR_VPOS[CR]	Get setting status of V Position
CR_HSCALE[CR]	Get setting status of H Scale
CR_HPOS[CR]	Get setting status of H Position
CR_KYSTNMODE[CR]	Get selected Keystone store mode
CR_CORNERTESTPAT [CR]	Get setting of test pattern for Corner correction.
CR_CEIL [CR]	Get setting status of Ceiling
CR_REAR [CR]	Get setting status of Rear

**6.6 Lamp Status Read Command Table**

Status Read command	Item
CR_LAMPREPL [CR]	Get information of Lamp replacement time
CR_LAMPH [CR]	Get information of actual Lamp running time
CR_LAMPCORRESPH [CR]	Get lamp running time multiplied by a coefficient
CR_LAMPMODE [CR]	Get selected Lamp mode
CR_LAMPSTS [CR]	Get status of the Lamp
CR_PROJH [CR]	Get total running time of projector
CR_HMLAMP [CR]	Get the total number of lamps
CR_LAMPLIFECNTRL [CR]	Get selected mode in Lamp life control function

**6.7 Sound Status Read Command Table**

Status Read command	Item
CR_VOLUME [CR]	Get value of Volume
CR_MUTE [CR]	Get setting status of Sound Mute
CR_BLTINSP [CR]	Get setting status of Built-in speaker

**6.8 Setting Status Read Command Table**

Status Read command	Item
CR_LANG [CR]	Get selected language
CR_INPUTBUTTON [CR]	Get setting status of Input button function
CR_DISP [CR]	Get setting status of Display
CR_BACKGND [CR]	Get setting status of Screen for no signal
CR_LOGO [CR]	Get setting status of Logo
CR_LOGOLOCK[CR]	Get setting status of Logo Lock
CR_FILREMAIN[CR]	Get remaining number of usable Filter scroll
CR_FILH[CR]	Get Filter used time
CR_FILTIMER[CR]	Get time to display Filter cleaning / replacement warning on screen
CR_FILCOND[CR]	Get status of filter clog
CR_FILREPL[CR]	Get status of Filter cleaning / replacement time
CR_FANSPEED [CR]	Get selected Fan Control Speed
CR_SIMPLEMODE [CR]	Get selected mode in Simple mode function
CR_RCODE [CR]	Get selected Remote Control code
CR_RSNS [CR]	Get selected location of infrared remote receiver of remote control
CR_RTYPE [CR]	Get supported Remote Control type (IR/RF)
CR_P-MANE [CR]	Get Power management setting status

<b>CR_P-MANETIME [CR]</b>	Get setting time for Power Management
<b>CR_STANDBYMODE [CR]</b>	Get selected mode of Standby function
<b>CR_ON-STA [CR]</b>	Get ON Start setting status
<b>CR_POINTER[CR]</b>	Get setting status of Pointer
<b>CR_PTIMEMODE[CR]</b>	Get setting mode of P-timer
<b>CR_PTIMER[CR]</b>	Get status of P-timer
<b>CR_PTIME[CR]</b>	Get setting time for count down mode in P-timer
<b>CR_KEYDIS [CR]</b>	Get RC/KEY prohibited status
<b>CR_SECURITY [CR]</b>	Get setting status of Security
<b>CR_PJLOCKNOW [CR]</b>	Get setting status of current PJ Lock
<b>CR_PJLOCKMENU [CR]</b>	Get PJ Lock setting status on the menu
<b>CR_SHUTRCPROT[CR]</b>	Get remote controller disability status of the shutter
<b>CR_SHUTKEYPROT[CR]</b>	Get Key controller disability state of the shutter
<b>CR_SHUTH[CR]</b>	Get time setting to begin the shutter management
<b>CR_DELAYCTRL[CR]</b>	Get selected mode of Video delay control
<b>CR_TESTPAT[CR]</b>	Get setting status of Test pattern

### 6.9 Other Status Read Command Table

Status Read command	Item
<b>CR_STATUS [CR]</b>	Get operating status of Projector
<b>CR_SIGNAL [CR]</b>	Get status of signal existence
<b>CR_VMUTE [CR]</b>	Get setting status of No show
<b>CR_FREEZE [CR]</b>	Get setting status of Freeze
<b>CR_TEMPFAIL [CR]</b>	Get temperature when sensors approach abnormal temperature
<b>CR_TEMP [CR]</b>	Get current temperature
<b>CR_SHUTCOND [CR]</b>	Get setting status of Shutter
<b>CR_SERIALNO [CR]</b>	Get value of SERIAL NO.

### 7. Error Code Table

Error Code	Contents
?	-When the received data cannot be decoded -Parameter designation error (wrong digit number, including invalid value, etc.)
000	Normal reception (This is "Not" error)
101	The function is not available in the selected Mode
102	Selected value is out of range (Not reflected)
103	Command mismatched to Hardware (the command is for Optional function which is not implemented)
201	Incremented or decremented value or values are beyond upper or lower limits.
301	Not executable due to screen capturing in process. Prompting reissue of the command after a while.
402	Not executable due to PIN code in operation. Prompting reissue of the command after a while.

Note) These error codes are applied to Expand Command, not to Basic Command



## 8. Functional Execution Command

### 8.1 Format

1) PC issues commands in format as below:

**Pattern1:** "CF\_ **COMMAND**" [CR]

**Pattern2:** "CF\_ **COMMAND**\_" %1 [CR]

CF\_: Header

**COMMAND**: String

%1: Parameter (String)

\_ : Space (To separate COMMAND and Parameter)

2) The projector decodes the received command and when it is ready to receive the next command, it returns the response.

**"000" [CR]:** (0x06,0x0D) When receiving Functional Execution Command

**"nnn" [CR]:** Except "000", when it is unable to execute command for any specific reason.

See Error Code Table for details

3) When the received data cannot be decoded, the projector returns "?" [CR]

### 8.2 Transfer Example

When setting projector's total dots to 1344 by Expand Serial command

PC → PJ: "CF\_TDOTS\_1344" [CR]

PC → PJ: "000" [CR] ----- Acceptable

### 8.3 Operation Requirements

1. Functional Execution Command is limited when the projector status is as below.

However, Status Read Command is still effective under following conditions.

Projector Status	Available Functional Execution Command
Standby Mode	C00: Power ON CF POWER ON
Countdown in process	C00: Power ON CF POWER ON (Terminates Count Down)
Cooling Down in process	N/A
Cooling Down due to Abnormal Temperature	N/A
Abnormal Temperature	N/A
Power Failure (60 seconds after Power failure occurred)	N/A
Abnormal Filter	N/A
Power-Save Cooling Down in process	N/A
Cooling Down in process due to Shutter management	N/A
Power Save in process	C00: Power ON C01: Power OFF CF POWER ON CF POWER OFF

Note) When projector receives another command in the above status, it returns error code which shows the status.

2. Functional Execution Commands are invalid when projector is in standby under Eco mode

## 8.4 Image Command

### 8.4.1 CF\_BRIGHT Command

Command	"CF_BRIGHT_%1" [CR]	
%1	"000-063"----- Directly specify setting value of Brightness "UP"----- Increment setting value of Brightness by 1 "DN"----- Decrement setting value of Brightness by 1	
Details	Set user controlled value of Brightness (Available only in the normal Power ON status) The value set by this command will not be stored in the projector's memory. Therefore, when the power is turned to ALL OFF status, the value returns to the original setting. (It is stored in Suspend mode.)	
Response	Acceptable	"000" [CR]
	Unacceptable	"Error Code" [CR]

### 8.4.2 CF\_CONT Command

Command	"CF_CONT_%1" [CR]	
%1	"000-063"----- Directly specify setting value of Contrast "UP"----- Increment setting value of Contrast by 1 "DN"----- Decrement setting value of Contrast by 1	
Details	Set user controlled value of Contrast (Available only in the normal Power ON status) The value set by this command will not be stored in the projector. Therefore, when the power is turned to ALL OFF status, the value returns to the original setting. (It is stored in Suspend mode.)	
Response	Acceptable	"000" [CR]
	Unacceptable	"Error Code" [CR]

### 8.4.3 CF\_COLOR Command

Command	"CF_COLOR_%1" [CR]	
%1	"000-063"----- Directly specify setting value of Color "UP"----- Increment setting value of Color by 1 "DN"----- Decrement setting value of Color by 1	
Details	Set user controlled value of Color (Available only in the normal Power ON status) The value set by this command will not be stored in the projector's memory. Therefore, when the power is turned to ALL OFF status, the value returns to the original setting. (It is stored in Suspend mode.)	
Response	Acceptable	"000" [CR]
	Unacceptable	"Error Code" [CR]

### 8.4.4 CF\_TINT Command

Command	"CF_TINT_%1" [CR]	
%1	"000-063"----- Directly specify setting value of Tint "UP"----- Increment setting value of Tint by 1 "DN"----- Decrement setting value of Tint by 1	
Details	Set Tint value (Available only in the normal Power ON status) The value set by this command will not be saved to the projector's memory. Therefore, when the power is turned to ALL OFF status, the value returns to the original setting. (It is stored in Suspend mode.)	
Response	Acceptable	"000" [CR]
	Unacceptable	"Error Code" [CR]

**8.4.5 CF\_SHARP Command**

Command	"CF_SHARP_%1" [CR]	
%1	"000-031"----- Directly specify setting value of Sharpness "UP"----- Increment setting value of Sharpness by 1 "DN"----- Decrement setting value of Sharpness by 1	
Details	Set user controlled value of Sharpness (Available only in the normal Power ON status) The value set by this command will not be stored in the projector's memory. Therefore, when the power is turned to ALL OFF status, the value returns to the original setting. (It is stored in Suspend mode.)	
Response	Acceptable	"000" [CR]
	Unacceptable	"Error Code" [CR]

**8.4.6 CF\_GAMMA Command**

Command	"CF_GAMMA_%1" [CR]	
%1	"000-015"----- Directly specify setting value of Gamma "UP"----- Increment setting value of Gamma by 1 "DN"----- Decrement setting value of Gamma by 1	
Details	Set user controlled value of Gamma (Available only in the normal Power ON status) The value set by this command will not be stored in the projector's memory. Therefore, when the power is turned to ALL OFF status, the value returns to the original setting. (It is stored in Suspend mode.)	
Response	Acceptable	"000" [CR]
	Unacceptable	"Error Code" [CR]

**8.4.7 CF\_WBAL- Command**

Command	"CF_WBAL-%1_%2" [CR]	
%1	"R" ----- RED "G" ----- GREEN "B" ----- BLUE	
%2	"000-063"----- Directly specify value of Color selected in %1 of White Balance. "UP"----- Increment setting value of Color specified in %1 of White Balance by 1 "DN"----- Decrement setting value of Color specified in %1 of White Balance by 1	
Details	Set value of Color specified in %1 of White Balance (Available only in the normal Power ON status) The value set by this command will not be stored in the projector's memory. Therefore, when the power is turned to ALL OFF status, the value returns to the original setting. (It is stored in Suspend mode.)	
Response	Acceptable	"000" [CR]
	Unacceptable	"Error Code"[CR]

**8.4.8 CF\_COLTEMP Command**

Command	"CF_COLTEMP_%1" [CR]	
%1	"000" ----- Xlow "001" ----- Low "002" ----- Mid "003" ----- High	
Details	Set Color Temperature The value set by this command will not be stored in the projector's memory. Therefore, when the power is turned to ALL OFF status, the value returns to the original setting. (It is stored in Suspend mode.)	
Response	Acceptable	"000" [CR]
	Unacceptable	"Error Code" [CR]

**8.4.9 CF\_OFFSET- Command**

Command	"CF_OFFSET-%1_%2" [CR]	
%1	"R" ----- RED "G" ----- GREEN "B" ----- BLUE	
%2	"000-063"----- Directly specify value of Color selected in %1 of Offset. "UP"----- Increment setting value of Color specified in %1 of Offset by 1 "DN"----- Decrement setting value of Color specified in %1 of Offset by 1	
Details	Set value of Color specified in %1 of Offset (Available only in the normal Power ON status) The value set by this command will not be stored in the projector's memory. Therefore, when the power is turned to ALL OFF status, the value returns to the original setting. (It is stored in Suspend mode.)	
Response	Acceptable	"000" [CR]
	Unacceptable	"Error Code"[CR]

**8.4.10 CF\_NZRED Command**

Command	"CF_NZRED_%1" [CR]	
%1	"OFF" ----- Cancel Noise Reduction "ON" ----- Set Noise Reduction "UP" ----- Toggle between ON and OFF. (On→OFF→On→...) "DN" ----- Toggle between ON and OFF. (On→OFF→On→...) **"UP" and "DN" are exactly same operation.	
Details	Set Noise Reduction level (Available only in the normal Power ON status) The value set by this command will not be stored in the projector's memory. Therefore, when the power is turned to ALL OFF status, the value returns to the original setting. (It returns to the original setting in Suspend mode as well.)	
Response	Acceptable	"000" [CR]
	Unacceptable	"Error Code" [CR]

8.4.11 CF\_PROGV Command

Command	"CF_PROGV_%1" [CR]	
%1	"ON" ----- Set Progressive scan to On. "FILM" ----- Set Progressive scan to Film. "OFF" ----- Set Progressive scan to OFF. "UP" ----- Switch setting forward direction (OFF→ON→FILM→OFF) "DN" ----- Switch setting backward direction (OFF→FILM→ON→OFF)	
Details	Set Progressive scan mode. (Available only in the normal Power ON status) The value set by this command will not be stored in the projector's memory. Therefore, when the power is turned to ALL OFF status, the value returns to the original setting. (It is stored in Suspend mode.)	
Response	Acceptable	"000" [CR]
	Unacceptable	"Error Code" [CR]

8.4.12 CF\_IMAGE Command

Command	"CF_IMAGE_%1" [CR]	
%1	"STAND" ----- Standard(Image adjust value is set to factory default for Still Image) "REAL"----- Real (Fixed value to display graphic image with natural tone) "CINEMA"----- Cinema (Fixed value to focus on tone reproduction for movie) "CUSTOM1" ----- Image1 (the value adjusted and stored by user) "CUSTOM2" ----- Image2 (the value adjusted and stored by user) "CUSTOM3" ----- Image3 (the value adjusted and stored by user) "CUSTOM4" ----- Image4 (the value adjusted and stored by user) "CUSTOM5" ----- Image5 (the value adjusted and stored by user) "CUSTOM6" ----- Image6 (the value adjusted and stored by user) "CUSTOM7" ----- Image7 (the value adjusted and stored by user) "CUSTOM8" ----- Image8 (the value adjusted and stored by user) "CUSTOM9" ----- Image9 (the value adjusted and stored by user) "CUSTOM10" ----- Image10 (the value adjusted and stored by user)	
Details	Select Image Mode (Available only in the normal Power ON status) Parameter "CUSTOM1" to "CUSTOM10" corresponds to "Image1" to "Image10" displayed in projector OSD menu on selecting Image. The value set by this command is stored in EEPROM so that the setting can remain effective even after the power is turned to ALL OFF status.	
Response	Acceptable	"000" [CR]
	Unacceptable	"Error Code" [CR]

8.4.13 CF\_IMAGEADJ Command

Command	"CF_IMAGEADJ_%1"[CR]	
%1	<p>"RST"----- Reset adjusted value for the Image                  "STR1"---- Store current adjusted value to Image 1                  "STR2"---- Store current adjusted value to Image 2                  "STR3"---- Store current adjusted value to Image 3                  "STR4"---- Store current adjusted value to Image 4                  "STR5"---- Store current adjusted value to Image 5                  "STR6"---- Store current adjusted value to Image 6                  "STR7"---- Store current adjusted value to Image 7                  "STR8"---- Store current adjusted value to Image 8                  "STR9"---- Store current adjusted value to Image 9                  "STR10"---- Store current adjusted value to Image 10</p>	
Details	<p>Reset or Store adjusted value for Image.                  (Available only in the normal Power ON status)                  "STR1"-"STR10" corresponds to "Image1"-"Image10" displayed in projector OSD menu on selecting "Store" for adjusted value of Image. The setting value set in "Image1" to "Image10" is stored and can be retrieved when turning on the projector again after the power is turned to ALL OFF status.</p>	
Response	Acceptable	"000" [CR]
	Unacceptable	"Error Code" [CR]

## 8.5 PC Adjust Control Command

### 8.5.1 CF\_FSYNC Command

Command	"CF_FSYNC_%1" [CR]	
%1	"0000-0031" ----- Directly specify setting value of Fine Sync "UP" ----- Increment setting value of Fine Sync by 1 "DN" ----- Decrement setting value of Fine Sync by 1	
Details	Set value of Fine Sync in PC signal (Available only in the normal Power ON status) The value set by this command will not be stored in the projector's memory. Therefore, when the power is turned to ALL OFF status, the value returns to the original setting.	
Response	Acceptable	"000" [CR]
	Unacceptable	"101" [CR] --- When input is Video signal --- When input is no signal

### 8.5.2 CF\_TDOTS Command

Command	"CF_TDOTS_%1" [CR]	
%1	"mmmm - nnnn" ----- Directly specify setting value of Total Dots "mmmm" indicates minimum value, which is current (Display area H + Position H) value "nnnn" indicates maximum value, which is <i>less than 140 MHz in Dot Clocks</i> "UP" ----- Increment setting value of Total Dots by 1 "DN" ----- Decrement setting value of Total Dots by 1	
Details	Set value of Total Dots in PC signal (Available only in the normal Power ON status) The value set by this command will not be stored in the projector's memory. Therefore, when the power is turned to ALL OFF status, the value returns to the original setting.	
Response	Acceptable	"000" [CR]
	Unacceptable	"101" [CR] --- When input is Video signal --- When input is no signal

### 8.5.3 CF\_CLPPHASE Command

Command	"CF_CLPPHASE_%1" [CR]	
%1	"0000-0255" ----- Directly specify setting value of Clamp Phase "UP" ----- Increment setting value of Clamp Phase by 1 "DN" ----- Decrement setting value of Clamp Phase by 1	
Details	Set value of Clamp Phase (Available only in the normal Power ON status) The value set by this command will not be stored in the projector. Therefore, when the power is turned to ALL OFF, the value returns to the original setting.	
Response	Acceptable	"000" [CR]
	Unacceptable	"101" [CR] --- When input is Video signal --- When input is no signal

**8.5.4 CF\_H-POS Command**

Command	"CF_H-POS_%1" [CR]	
%1	"0000-nnnn" ----- Directly specify setting value of Horizontal Position "nnnn" indicates maximum value, which is current value of (Total dots - Display area H) "UP" ----- Increment setting value of Horizontal Position by 1 "DN" ----- Decrement setting value of Horizontal Position by 1	
Details	Set value of Horizontal Position in PC signal (Available only in the normal Power ON status) The value set by this command will not be stored in the projector's memory. Therefore, when the power is turned to ALL OFF status, the value returns to the original setting.	
Response	Acceptable	"000" [CR]
	Unacceptable	"101" [CR] --- When input is Video signal --- When input is no signal

**8.5.5 CF\_V-POS Command**

Command	"CF_V-POS_%1" [CR]	
%1	"0000-nnnn" ----- Directly specify setting value of Vertical Position "nnnn" indicates maximum value, which is current (Total Line – Display Area V) value "UP" ----- Increment setting value of Vertical Position by 1 "DN" ----- Decrement setting value of Vertical Position by 1	
Details	Set Vertical Position value (Available only in the normal Power ON status) The value set by this command will not be stored in the projector's memory. Therefore, when the power is turned to ALL OFF status, the value returns to the original setting.	
Response	Acceptable	"000" [CR]
	Unacceptable	"101" [CR] ---- When input is Video signal --- When input is no signal

**8.5.6 CF\_DDOTS Command**

Command	"CF_DDOTS_%1" [CR]	
%1	"0100-nnnn" ----- Directly specify setting value of Display Dots "nnnn" indicates maximum value, which is current value of (Total Dots - Position H). In this projector, the value should be "even number" and if "odd number" is specified, it adds 1 to make the value even number. "UP" ----- Increment setting value of Display Dots by 2 "DN" ----- Decrement setting value of Display Dots by 2	
Details	Set setting value of Display Dots in PC signal (Available only in the normal Power ON status) The value set by this command will not be stored in the projector's memory. Therefore, when the power is turned to ALL OFF status, the value returns to the original setting.	
Response	Acceptable	"000" [CR]
	Unacceptable	"101" [CR] --- When input is Video signal --- When input is no signal



## 8.5.7 CF\_DLINE Command

Command	"CF_DLINE_%1" [CR]	
%1	"0100-nnnn" ----- Directly specify setting value of Display Line "nnnn" indicates maximum value, which is current value of (Total Line - Position V). "UP" ----- Increment setting value of Display Line by 1 "DN" ----- Decrement setting value of Display line by 1	
Details	Set setting value of Display Line in PC signal (Available only in the normal Power ON status) The value set by this command will not be stored in the projector's memory. Therefore, when the power is turned to ALL OFF status, the value returns to the original setting.	
Response	Acceptable	"000" [CR]
	Unacceptable	"101" [CR] --- When input is Video signal --- When input is no signal

## 8.5.8 CF\_SETPCADJ Command

Command	"CF_SETPCADJ_%1" [CR]	
%1	None "EXT11-60"	
Details	1. Apply setting value of PC adj. to the projecting image. Projecting image can be corrected with this command as well as when PC control command and Screen control command below directly apply its value to the image. (Available only in the normal Power ON status) <ul style="list-style-type: none"> <li>• CF_FSYNC</li> <li>• CF_TDOTS</li> <li>• CF_CLAMPPAHSE</li> <li>• CF_H-POS</li> <li>• CF_V-POS</li> <li>• CF_DDOTS</li> <li>• CF_DLINE</li> </ul> 2. When "EXT11-60" is specified in %1, "Ex Mode" (not like XGA1) is displayed in "SYSTEM" menu.	
Response	Acceptable	"000" [CR]
	Unacceptable	"101" [CR] --- When input is Video signal --- When input is no signal

8.5.9 CF\_ORGMODE Command

Command	"CF_ORGMODE_%1" [CR]	
%1	<p>When input signal is PC Analog;</p> <p>"VGA1" ----- Specify VGA1                  "VGA2" ----- Specify VGA2                  :                  :                  "XGA1" ----- Specify XGA1                  :                  :                  "WXGA3" ----- Specify WXGA3                  "1080i60" ----- Specify 1080i60                  "1080i50" ----- Specify 1080i50                  "1035i" ----- Specify 1035i                  "720P60" ----- Specify 720p60                  "720P50" ----- Specify 720p50                  "575P" ----- Specify 575p                  "480P" ----- Specify 480p                  "575i" ----- Specify 575i                  "480i" ----- Specify 480i                  "1080PSF/24" ----- Specify 1080psf/24                  "1080PSF/25" ----- Specify 1080psf/25                  "1080PSF/30" ----- Specify 1080psf/30                  "1080P24" ----- Specify 1080p24                  "1080P25" ----- Specify 1080p25                  "1080P30" ----- Specify 1080p30                  "1080P50" ----- Specify 1080p50                  "1080P60" ----- Specify 1080p60</p> <p>* When input signal is not PC Analog, error code "101" is returned.</p>	
Details	<p>After "EXT n" is set by PC control command such as CF_FSYNC/CF_TDOTS and CF_SETPCADJ command, specify the signal originated with by issuing this command.</p> <p>This command is used to specify projector internal settings such as whether or not to get PC signal through IP (Available only in the normal Power ON status)                  Note; To differentiate between 60Hz and 50Hz in 1080i and 720p, "60" or "50" is necessary to add to the parameter in this command.</p>	
Response	Acceptable	"000" [CR]
	Unacceptable	"101" [CR] --- When input isn't PC analog

8.5.10 CF\_PCSTORE Command

Command	"CF_PCSTORE_%1" [CR]	
%1	<p>"1" ----- Store current value of PC Adjust to Mode1                  "2" ----- Store current value of PC Adjust to Mode2                  "3" ----- Store current value of PC Adjust to Mode3                  "4" ----- Store current value of PC Adjust to Mode4                  "5" ----- Store current value of PC Adjust to Mode5                  "6" ----- Store current value of PC Adjust to Mode6                  "7" ----- Store current value of PC Adjust to Mode7                  "8" ----- Store current value of PC Adjust to Mode8                  "9" ----- Store current value of PC Adjust to Mode9                  "10" ----- Store current value of PC Adjust to Mode10</p>	
Details	<p>Store current value of PC Adjust (each parameter status such as Total dots) to Mode1-10. This command operates the same way as storing to Mode1-10 in PC Adjust Menu.                  (Available only in the normal Power ON status)</p>	
Response	Acceptable	"000" [CR]
	Unacceptable	"101" [CR] --- When input is Video signal --- When input is no signal

8.5.11 CF\_PCMODEFREE Command

Command	"CF_PCMODEFREE_%1" [CR]	
%1	"1" ----- Set Mode1 to Free status "2" ----- Set Mode2 to Free status "3" ----- Set Mode3 to Free status "4" ----- Set Mode4 to Free status "5" ----- Set Mode5 to Free status "6" ----- Set Mode6 to Free status "7" ----- Set Mode7 to Free status "8" ----- Set Mode8 to Free status "9" ----- Set Mode9 to Free status "10" ----- Set Mode10 to Free status	
Details	Delete the data registered in Custom Mode1-10 and returns it to Free status. This command operates the same way as storing to Mode1-10 in PC Adjust Menu. (Available only in the normal Power ON status)	
Response	Acceptable	"000" [CR]
	Unacceptable	"101" [CR] --- When input is Video signal --- When input is no signal

## 8.6 Input Control Command

### 8.6.1 CF\_INPUT Command

Command	"CF_INPUT_%1" [CR]	
%1	"1"----- Select Input 1 (not switching Source) "2"----- Select Input 2 (not switching Source) "3"----- Select Input 3 (not switching Source) "4"----- Select Input 4 (Network viewer) "UP"----- Increment Input No. by 1 <with PJ-Net attached>Input1→Input2→Input3→Input4→Input1→ --- <with PJ-Net unattached>Input1→Input2→Input3→Input1→ --- "DN"----- Decrement Input No. by 1 <with PJ-Net attached>Input1→Input2→Input3→Input4→Input1→ --- <with PJ-Net unattached>Input1→Input2→Input3→Input1→ ---	
Details	Select Input (Available only in the normal Power ON status) This command switches only Input No, not Source. For instance, when Input 1 has been selected, receiving the command to select Input 1 does not invoke source-switching operation. That means it operates differently from "INPUT" button of Projector or Remote Control. *When selecting Input4 on a projector with PJ-Net unattached, it comes to "103". *When selecting Input4 on a projector with PJ-Net attached and power OFF, It comes to "101".	
Response	Acceptable	"000" [CR]
	Unacceptable	"Error Code" [CR]

### 8.6.2 CF\_SOURCE Command

Command	"CF_SOURCE_%1" [CR]	
%1	Input 1	"DIGITAL" ----- Select RGB (PC Digital) Input "ANALOG" ----- Select RGB (PC Analog) Input "SCART" ----- Select RGB (Scart) input "HDCP" ----- Select RGB (AV HDCP) input "UP" ----- Select in PC Analog → Scart → PC Digital → AV HDCP → PC Analog order "DN" ----- Select in PC Analog → AV HDCP → PC Digital → Scart → PC Analog order
	Input 2	"VIDEO" ----- Select Video input "YPBPR" ----- Select Y,Pb/Cb,Pr/Cr input "ANALOG" ----- Select RGB input "UP" ----- Select in VIDEO → YPBPR → RGB → VIDEO order "DN" ----- Select in VIDEO → RGB → YPBPR → VIDEO order
	Input 3	"VIDEO" ----- Select Video input "S-VIDEO" ----- Select S-Video input "YPBPR" ----- Select Y,Pb/Cb,Pr/Cr input "UP" ----- Select in VIDEO → YPBPR → S-VIDEO → VIDEO order "DN" ----- Select in VIDEO → S-VIDEO → YPBPR → VIDEO order
	Input 4	"NETWORK", "UP", "DN" *Input can not be selected, but above parameter is processed as Acceptable.
Details	Select Source of currently selected Input (Available only in the normal Power ON status) When selected input does not include specified %1, error code "101" is returned and it is not executed. When Input No is 4 and PJ-Net power is OFF, error code "101" is returned.	
Response	Acceptable	"000" [CR]
	Unacceptable	"Error Code" [CR]

**8.6.3 CF\_INPUT 1 Command**

Command	"CF_INPUT1_%1" [CR]	
%1	"DIGITAL" ----- Select PC Digital Input "ANALOG" ----- Select PC Analog Input "SCART" ----- Select SCART Input "HDCP" ----- Select DVI HDCP Input	
Details	Select Input 1 as well as Source specified in %1 (Available only in the normal Power ON status)	
Response	Acceptable	"000" [CR]
	Unacceptable	"Error Code" [CR]

**8.6.4 CF\_INPUT 2 Command**

Command	"CF_INPUT2_%1" [CR]	
%1	"VIDEO" ----- Select Composite Video Input "YPBPR" ----- Select Y/Pb/Pr Input "ANALOG" ----- Select RGB Input	
Details	Select Input 2 as well as Source specified in %1. (Available only in the normal Power ON status)	
Response	Acceptable	"000" [CR]
	Unacceptable	"Error Code" [CR]

**8.6.5 CF\_INPUT 3 Command**

Command	"CF_INPUT3_%1" [CR]	
%1	"VIDEO" ----- Select Composite Video Input "S-VIDEO" ----- Select S-Video Input "YPBPR" ----- Select Y/Pb/Pr Input	
Details	Select Input 3 as well as Source specified in %1. (Available only in the normal Power ON status)	
Response	Acceptable	"000" [CR]
	Unacceptable	"Error Code" [CR]

**8.6.6 CF\_INPUT 4 Command**

Command	"CF_INPUT4_%1" [CR]	
%1	"NETWORK" ----- Select input from PJ-Net	
Details	Select Input 4 as well as Source specified in %1. (Available only in the normal Power ON status) *With PJ-Net unattached, this command is invalid and error code "103" is returned. *With PJ-Net attached and the power OFF, error code "101" is returned.	
Response	Acceptable	"000" [CR]
	Unacceptable	"Error Code" [CR]

8.6.7 CF\_SYSTEM Command

Command	"CF_SYSTEM_%1" [CR]	
%1	Input is PC Analog	"VGA1" ----- Select VGA1 "VGA2" ----- Select VGA2 : : "XGA1" ----- Select XGA1 : : "WXGA3" ----- Select WXGA3 "1080I" ----- Select 1080i "1035I" ----- Select 1035i "720P" ----- Select 720p "575P" ----- Select 575p "480P" ----- Select 480p "575I" ----- Select 575i "480I" ----- Select 480i "1080PSF/24" ----- Select 1080psf/24 "1080PSF/25" ----- Select 1080psf/25 "1080PSF/30" ----- Select 1080psf/30 "MODE1 - 10" ----- Select MODE1 – MODE10 "EXT11 - 60" ----- Select Ex Mode11-60 * EX1-10 is not returned.
	Input is PC Digital/AV HDCP	"D-XGA1" ----- Select D-XGA1 : : "D-WXGA3" ----- Select D-WXGA3 "D-1080I" ----- Select D-1080i "D-1035I" ----- Select D-1035i "D-720P" ----- Select D-720p "D-575P" ----- Select D-575p "D-480P" ----- Select D-480p "D-1080PSF/24" ----- Select D-1080psf/24 "D-1080PSF/25" ----- Select D-1080psf/25 "D-1080PSF/30" ----- Select D-1080psf/30
	Input is Y,Pb/Cb,Pr/Cr	"AUTO" ----- Select System "Auto" "1080P" ----- Select 1080p "1080I" ----- Select 1080i "1035I" ----- Select 1035i "720P" ----- Select 720p "575P" ----- Select 575p "480P" ----- Select 480p "575I" ----- Select 575i "480I" ----- Select 480i
	Input is Video / S-Video	"AUTO" ----- Select System "Auto" "NTSC" ----- Select NTSC "NTSC443" ----- Select NTSC4.43 "PAL" ----- Select PAL "SECAM" ----- Select SECAM "PAL-M" ----- Select PAL-M "PAL-N" ----- Select PAL-N
Details	Select System of currently selected Input (Available only in the normal Power ON status) When selected input does not include specified %1, error code "101" [CR] is returned and it is not executed. When Input No is 4, error code "101" [CR] is returned and it is not executed.	
Response	Acceptable	"000" [CR]
	Unacceptable	"Error Code" [CR]

### 8.7 Screen Control Command

#### 8.7.1 CF\_SCREEN Command

Command	"CF_SCREEN_%1" [CR]	
%1	Input is Computer	"NORMAL" ----- Select Normal mode "WIDE" ----- Select Wide mode "TRUE" ----- Select True mode "FULL" ----- Select Full screen mode "CUSTOM" ----- Select Custom mode "DZOOM_UP" ----- Scale up with Digital zoom "DZOOM_DN" ----- Scale down with Digital zoom "UP" ----- Select screen size with forward switching in possible range "DN" ----- Select screen size with backward switching in possible range
	Input is Video	"NORMAL" ----- Select Normal mode "WIDE" ----- Select Wide mode "CUSTOM" ----- Select Custom mode "UP" ----- Select screen size with forward switching in possible range "DN" ----- Select screen size with backward switching in possible range
	Common in AV/PC	"RST" ----- Reset Screen adjustment
Details	Select screen size (Available only in the normal Power ON status) When selected input does not include specified %1, error code "101" [CR] is returned and it is not executed. Receiving "DZOOM_UP" or "DZOOM_DN" command immediately executes the function.	
Response	Acceptable	"000" [CR]
	Unacceptable	"Error Code" [CR]

#### 8.7.2 CF\_DZCENT Command

Command	"CF_DZCENT_%1" [CR]	
%1	"CENT" ----- Cancel Digital Zoom (CENT: "CENTER")	
Details	Cancel Digital Zoom (Available only in the normal Power ON status and Input for Computer is selected) Release the image setting in case the image is enlarged or reduced.	
Response	Acceptable	"000" [CR]
	Unacceptable	"101" [CR] ----- When input is Video

**8.7.3 CF\_KEYSTONE Command**

Command	"CF_KEYSTONE_%1" [CR]	
%1	"UP" ----- Correct Keystone distortion to reduce upper part of image "FUP" ----- Correct Keystone distortion to reduce upper part by 2 steps "DN" ----- Correct Keystone distortion to reduce lower part of image "FDN" ----- Correct Keystone distortion to reduce lower part by 2 steps "LEFT" ----- Correct Keystone distortion to reduce left part of image "FLFT" ----- Correct Keystone distortion to reduce left part by 2 steps "RIGHT" ----- Correct Keystone distortion to reduce right part of image "FRGT" ----- Correct Keystone distortion to reduce right part by 2 steps "RST" ----- Return Keystone and Corner to default setting	
Details	Change level of Keystone distortion correction (Available only in the normal Power ON status). When reached the limit of the correction level, projector accepts the command but does not execute it. Receiving this command immediately invokes the operation. When trying to set the value beyond available range, error code "201" is returned and the operation is not executed. Example 1: When the correction level of the right part has reached its upper limit and then the command "RIGHT" is received Example 2: When the upper part correction allows only another step, and then the command "FUP" is received.	
Response	Acceptable	"000" [CR]
	Unacceptable	"Error Code" [CR]

**8.7.4 CF\_KYSTONMODE Command**

Command	"CF_KYSTNMODE_%1" [CR]	
%1	"STR" ----- Set Keystone store mode to Store "RST" ----- Set Keystone store mode to Reset	
Details	Set Keystone or Corner store mode (Available only in the normal Power ON status)	
Response	Acceptable	"000" [CR]
	Unacceptable	"Error Code" [CR]

**8.7.5 CF\_CORNER-UL Command**

Command	"CF_CORNER-UL_%1"[CR]	
%1	"UP" ----- Correct the horizontal line of image upwards "DN" ----- Correct the horizontal line of image downwards "LEFT" ----- Correct the vertical line of image to the left "RIGHT" ----- Correct the vertical line of image to the right	
Details	Correct the top-left corner of the image. (Available in normal Power ON status only) The correction starts with the first command received  Projector returns error code ""101 and no operation is made when exceeding the correction limit,	
Response	Acceptable	"000"[CR]
	Unacceptable	"Error Code"[CR]



**8.7.6 CF\_CORNER-UR Command**

Command	"CF_CORNER-UR_%1"[CR]	
%1	"UP" ----- Correct the horizontal line of image upwards "DN" ----- Correct the horizontal line of image downwards "LEFT" ----- Correct the vertical line of image to the left "RIGHT" ----- Correct the vertical line of image to the right	
Details	Correct the top-right corner of the image. (Available in normal Power ON status only) The correction starts with the first command received  Projector returns error code ""101 and no operation is made when exceeding the correction limit,	
Response	Acceptable	"000"[CR]
	Unacceptable	"Error Code"[CR]

**8.7.7 CF\_CORNER-DL Command**

Command	"CF_CORNER-DL%1"[CR]	
%1	"UP" ----- Correct the horizontal line of image upwards "DN" ----- Correct the horizontal line of image downwards "LEFT" ----- Correct the vertical line of image to the left "RIGHT" ----- Correct the vertical line of image to the right	
Details	Correct the bottom-left corner of the image. (Available in normal Power ON status only) The correction starts with the first command received  Projector returns error code ""101 and no operation is made when exceeding the correction limit,	
Response	Acceptable	"000"[CR]
	Unacceptable	"Error Code"[CR]

**8.7.8 CF\_CORNER-DR Command**

Command	"CF_CORNER-DR_%1"[CR]	
%1	"UP" ----- Correct the horizontal line of image upwards "DN" ----- Correct the horizontal line of image downwards "LEFT" ----- Correct the vertical line of image to the left "RIGHT" ----- Correct the vertical line of image to the right	
Details	Correct the bottom-right corner of the image. (Available in normal Power ON status only) The correction starts with the first command received  Projector returns error code ""101 and no operation is made when exceeding the correction limit,	
Response	Acceptable	"000"[CR]
	Unacceptable	"Error Code"[CR]

**8.7.9 CF\_CORNERTESTPAT Command**

Command	"CF_CORNERTESTPAT_%1"[CR]	
%1	"RED" -----Select Red "WHITE" ----- Select White "BLUE" ----- Select Blue "OFF" ----- Select Off	
Details	Display test patterns for Corner correction. (Available in normal Power ON status only) The value set by this command is stored in EEPROM and its setting is effective even after ALL is OFF.	
Response	Acceptable	"000"[CR]
	Unacceptable	"Error Code"[CR]

**8.7.10 CF\_CEIL Command**

Command	"CF_CEIL_%1" [CR]	
%1	"ON" ----- Set Ceiling to ON. "OFF" ----- Set Ceiling to OFF.	
Details	Set/Cancel Ceiling mode.(Available only in the normal Power ON status) The status set by this command is stored in EEPROM and setting remains effective even after the power is turned to ALL OFF status.	
Response	Acceptable	"000" [CR]
	Unacceptable	"Error Code" [CR]

**8.7.11 CF\_REAR Command**

Command	"CF_REAR_%1" [CR]	
%1	"ON" ----- Set Rear to ON. "OFF" ----- Set Rear to OFF.	
Details	Set/Cancel Rear mode (Available only in the normal Power ON status) When Rear is ON, projected image is left/right reversed. The status set by this command is stored in EEPROM and setting remains effective even after the power is turned to ALL OFF status.	
Response	Acceptable	"000" [CR]
	Unacceptable	"Error Code" [CR]

8.7.12 CF\_VSCALE Command

Command	"CF_VSCALE_%1" [CR]	
%1	"035" ----- +35 "031" ----- +31 : "002" ----- +2 "001" ----- +1 "000" ----- ±0 " - 01" ----- - 1 " - 02" ----- - 2 : " - 31" ----- - 31 " - 32" ----- - 32 "UP" ----- Increment setting value of Vscale by 1 "DN" ----- Decrement setting value of Vscale by 1	
Details	Set Vscale (Available only in the normal Power ON status) *When the screen mode is not in "Custom", projector changes image mode into Custom by receiving this command. *When there is no signal detected, projector returns 101 and the command does not execute.	
Response	Acceptable	"000" [CR]
	Unacceptable	"Error Code" [CR]

8.7.13 CF\_VPOS Command

Command	"CF_VPOS_%1" [CR]	
%1	"015" ----- +15 "014" ----- +14 : "002" ----- +2 "001" ----- +1 "000" ----- ±0 " - 01" ----- - 1 " - 02" ----- - 2 : " - 14" ----- - 14 " - 15" ----- - 15 "UP" ----- Increment setting value of Vposition by 1 "DN" ----- Decrement setting value of Vposition by 1	
Details	Set V Position (Available only in the normal Power ON status) *When the screen mode is not in "Custom", projector changes image mode into Custom by receiving this command. *When there is no signal detected, projector returns 101 and the command does not execute.	
Response	Acceptable	"000" [CR]
	Unacceptable	"Error Code" [CR]

8.7.14 CF\_HSCALE Command

Command	"CF_HSCALE_%1" [CR]	
%1	"035" ----- +35 "031" ----- +31 : "002" ----- +2 "001" ----- +1 "000" ----- ±0 " - 01" ----- - 1 " - 02" ----- - 2 : " - 31" ----- - 31 " - 32" ----- - 32 "UP" ----- Increment setting value of Hscale by 1 "DN" ----- Decrement setting value of Hscale by 1	
Details	Set Hscale (Available only in the normal Power ON status) *When the screen mode is not in "Custom", projector changes image mode into Custom by receiving this command. *When there is no signal detected, projector returns 101 and the command does not execute.	
Response	Acceptable	"000" [CR]
	Unacceptable	"Error Code" [CR]

8.7.15 CF\_HPOS Command

Command	"CF_HPOS_%1" [CR]	
%1	"015" ----- +15 "014" ----- +14 : "002" ----- +2 "001" ----- +1 "000" ----- ±0 " - 01" ----- - 1 " - 02" ----- - 2 : " - 14" ----- - 14 " - 15" ----- - 15 "UP" ----- Increment setting value of Hposition by 1 "DN" ----- Decrement setting value of Hposition by 1	
Details	Set H Position (Available only in the normal Power ON status) *When the screen mode is not in "Custom", projector changes image mode into Custom by receiving this command. *When there is no signal detected, projector returns 101 and the command does not execute.	
Response	Acceptable	"000" [CR]
	Unacceptable	"Error Code" [CR]

## 8.8 Lamp Command

### 8.8.1 CF\_LAMPMODE Command

Command	"CF_LAMPMODE_%1" [CR]	
%1	"NORMAL" ----- Set Lamp status to Normal mode "ECO1" ----- Set Lamp status to Eco1 mode "ECO2" ----- Set Lamp status to Eco2 mode "AUTO" ----- Set Lamp status to Auto mode	
Details	Select Lamp mode (Available only in the normal Power ON status) The value set by this command is stored in EEPROM and the setting remains effective after the power is turned to ALL OFF status.	
Response	Acceptable	"000" [CR]
	Unacceptable	"Error Code" [CR]

### 8.8.2 CF\_LAMPLIFECNTRL\_ Command

Command	"CF_LAMPLIFECNTRL_%1" [CR]	
%1	"MODE1" ----- Set Lamp life control to Mode 1 "MODE2" ----- Set Lamp life control to Mode 2	
Details	Select Lamp life control function (Available only in the normal Power ON status) The value set by this command is stored in EEPROM and the setting remains effective after the power is turned to ALL OFF status.	
Response	Acceptable	"000" [CR]
	Unacceptable	"Error Code" [CR]

**8.9 Sound Command**

**8.9.1 CF\_VOLUME Command**

Command	"CF_VOLUME_%1" [CR]	
%1	"000-063" ----- Directly specify value of Volume. "UP" ----- Increment setting value of Volume by 1 "DN" ----- Decrement setting value of Volume by 1	
Details	Control level of Volume (Available only in the normal Power ON status) Set Volume Up/Down the same way as RC and also directly specify value of Volume. When setting Volume value, the Sound Mute ON status is canceled just like RC operation. The value set by this command is stored in Projector's memory. * When input signal is Network, error code "101" is returned.	
Response	Acceptable	"000" [CR]
	Unacceptable	"Error Code" [CR]

**8.9.2 CF\_MUTE Command**

Command	"CF_MUTE_%1" [CR]	
%1	"ON" ----- Set Sound Mute to ON "OFF" ----- Set Sound Mute to OFF	
Details	Control ON/OFF of Sound Mute (Available only in the normal Power ON status) * When input signal is Network, error code "101" is returned.	
Response	Acceptable	"000" [CR]
	Unacceptable	"Error Code" [CR]

**8.9.3 CF\_BLTINSP Command**

Command	"CF_BLTINSP_%1" [CR]	
%1	"ON" ----- Set Built-in speaker to ON "OFF" ----- Set Built-in speaker to OFF	
Details	Control ON/OFF of Built-in speaker (Available only in the normal Power ON status) * When input signal is Network, error code "101" is returned.	
Response	Acceptable	"000" [CR]
	Unacceptable	"Error Code" [CR]

### 8.10 Setting Command

#### 8.10.1 CF\_LANG Command

Command	"CF_LANG_%1" [CR]	
%1	"ENG" ----- Select ENGLISH "DEU" ----- Select German "FRA" ----- Select French "ITA" ----- Select Italian "ESP" ----- Select Spanish "POR" ----- Select Portuguese "NED" ----- Select Dutch "SVE" ----- Select Swedish "JPN" ----- Select Japanese "CHI" ----- Select Chinese "KOR" ----- Select Korean "RUS" ----- Select Russian	
Details	Set language for OSD (Available only in the normal Power ON status) The language set by this command is stored in EEPROM and setting remains effective even after the power is turned to ALL OFF status.	
Response	Acceptable	"000" [CR]
	Unacceptable	"Error Code" [CR]

#### 8.10.2 CF\_MENUPOSITION Command

Command	"CF_MENUPOSITION_%1" [CR]	
%1	"SET" ----- Move the menu display to next position	
Details	Change the menu position (Available in normal Power ON status only). The position set by this command is stored in EEPROM and its setting is effective after ALL is OFF.  Position: top left - top right – center – bottom left-bottom right – top left-... Menu display appears with the first command when menu display is not shown on the screen	
Response	Acceptable	"000" [CR]
	Unacceptable	"Error Code" [CR]

#### 8.10.3 CF\_INPUTBUTTON Command

Command	"CF_INPUTBUTTON_%1" [CR]	
%1	"MODE1" ----- Set Input button operation to MODE1 "MODE2" ----- Set Input button operation to MODE2 "MODE3" ----- Set Input button operation to MODE3	
Details	Set Input button operation mode. (Available in normal Power ON status only). The status set by this command is stored in EEPROM and its setting is effective after ALL is OFF	
Response	Acceptable	"000" [CR]
	Unacceptable	"Error Code" [CR]

8.10.4 **CF\_DISP Command**

Command	"CF_DISP_%1" [CR]	
%1	"ON" ----- Set Display to On "CNTDWN OFF" ----- Set Display to Count down Off "OFF" ----- Set Display to Off "UP" ----- Switch forward (On → Count down Off → Off → On → ---) "DN" ----- Switch backward (On → Off → Count down Off → On → ---)	
Details	Set Display mode.(Available only in the normal Power ON status) The value set by this command is stored in EEPROM and setting remains effective even after the power is turned to ALL OFF status.	
Response	Acceptable	"000" [CR]
	Unacceptable	"Error Code" [CR]

8.10.5 **CF\_BACKGND Command**

Command	"CF_BACKGND_%1" [CR]	
%1	"BLUE" ----- Select Blue Back "USER" ----- Select User "BLACK" ----- Select Black Back "UP" ----- Switch forward (Blue Back→User→Black Back→Blue Back) "DN" ----- Switch backward (Blue Back→Black Back→User→Blue Back)	
Details	Set Screen status for no signal.(Available only in the normal Power ON status) The status set by this command is stored in EEPROM and the setting remains even after the power is turned to ALL OFF status. *When %1="USER" is received, error code "101" is returned, in the case of Capture non-practice.	
Response	Acceptable	"000" [CR]
	Unacceptable	"Error Code" [CR]



**8.10.6 CF\_LOGO Command**

Command	"CF_LOGO_%1_%2" [CR]	
%1	"0000 – 9999" ----- Directly set Logo PIN code	
%2	"OFF" ----- Cancel Logo display "DFLT" ----- Select Logo of Factory Default "USER" ----- Select User "UP" ----- Select functions to choose forward (OFF → DFLT → USER → OFF → --) "DN" ----- Select functions to choose backward (OFF → USER → DFLT → OFF → --)	
Details	Set Logo mode.(Available only in the normal Power ON status) The status set by this command is stored in EEPROM and setting remains effective even after the power is turned to ALL OFF status. Set Logo PIN code in %1. When Logo Lock is enabled: PIN code is matched ----- Command is valid (Acceptable) PIN code is mismatched----- Command is invalid (Error code "102") PIN code is beyond %1 available range -----Command is invalid (Error code"?) When Logo Lock is disabled: PIN code is within %1 available range ----- Command is valid (Acceptable) PIN code is out of %1 available range ----- Command is invalid (Error code "?") Note: When Logo Lock is enabled, matching Logo PIN code switches Logo but Logo Lock is not cancelled (Lock status is kept). *When %2="USER" is received, error code "101" is returned, in the case of Capture non-practice.	
Response	Acceptable	"000" [CR]
	Unacceptable	"Error Code" [CR]

**8.10.7 CF\_FILH Command**

Command	"CF_FILH_%1" [CR]	
%1	"RST" ----- Reset Filter used time	
Details	Reset used time for filter of projector	
Response	Acceptable	"000" [CR]
	Unacceptable	"Error Code" [CR]

**8.10.8 CF\_FILTERTIMER Command**

Command	"CF_FILTERTIMER_%1" [CR]	
%1	"0400" ----- Set 400 hours "0700" ----- Set 700 hours "1000" ----- Set 1000 hours "OFF" ----- Set Off(Do not warning display)	
Details	Set time to display Filter cleaning / replacement warning on screen	
Response	Acceptable	"000" [CR]
	Unacceptable	"Error Code" [CR]

**8.10.9 CF\_FILCTL Command**

Command	"CF_FILCTL_%1" [CR]	
%1	"ROLL" ----- Execute operation of scroll of filter	
Details	Execute operation of scroll of filter	
Response	Acceptable	"000" [CR]
	Unacceptable	"Error Code" [CR]

8.10.10 **CF\_FILSCRL Command**

Command	"CF_FILSCRL_%1" [CR]	
%1	"RST" ----- Reset Filter scroll counter	
Details	Reset Filter scroll counter	
Response	Acceptable	"000" [CR]
	Unacceptable	"Error Code" [CR]

8.10.11 **CF\_FANSPEED Command**

Command	"CF_FANSPEED_%1" [CR]	
%1	"MAX" ----- Select maximum fan speed "NOR" ----- Select normal fan speed	
Details	Switch Fan Control Speed mode. (Available only in the normal Power ON status) The status set by this command is stored in EEPROM and setting remains effective even after the power is turned to ALL OFF status.	
Response	Acceptable	"000" [CR]
	Unacceptable	"Error Code" [CR]

8.10.12 **CF\_SIMPLEMODE Command**

Command	"CF_SIMPLEMODE_%1" [CR]	
%1	"ON" ----- Set Simple mode to ON "OFF" ----- Set Simple mode to OFF	
Details	Set Simple mode. (Available only in the normal Power ON status) The status set by this command is stored in EEPROM and setting remains effective even after the power is turned to ALL OFF status.	
Response	Acceptable	"000" [CR]
	Unacceptable	"Error Code" [CR]

8.10.13 **CF\_RCODE Command**

Command	"CF_RCODE_%1" [CR]	
%1	"001" ----- Select Code 1 "002" ----- Select Code 2 "003" ----- Select Code 3 "004" ----- Select Code 4 "005" ----- Select Code 5 "006" ----- Select Code 6 "007" ----- Select Code 7 "008" ----- Select Code 8 "UP" ----- Switch forward (Code1→Code2→Code3 - - - →Code8→Code1) "DN" ----- Switch backward (Code8→Code7→Code6 - - - →Code1→Code8)	
Details	Select Code of Remote Control (Available only in the normal Power ON status) The status set by this command is stored in EEPROM and setting remains effective even after the power is turned to ALL OFF status.	
Response	Acceptable	"000" [CR]
	Unacceptable	"Error Code" [CR]

8.10.14 **CF\_RSENS Command**

Command	"CF_RSENS_%1" [CR]	
%1	"ALL" ----- Select top, front and back receiver of projector "FRONTTOP" ----- Select front and top receivers of projector "BACKTOP" ----- Select only back and top receivers of projector "FRONTBACK" ----- Select only front and back receivers of projector "FRONT" ----- Select only front receiver of projector "TOP" ----- Select only top receiver of projector "BACK" ----- Select only back receiver of projector "UP" ----- Switch forward (ALL → FRONTTOP → BACKTOP → FRONTBACK → FRONT → TOP → BACK → ALL) "DN" ----- Switch backward (BACK → TOP → FRONT → FRONTBACK → BACKTOP → FRONTTOP → ALL → BACK)	
Details	Select location of infrared remote receiver of remote control (Available only in the normal Power ON status) The status set by this command is stored in EEPROM and setting remains effective even after the power is turned to ALL OFF status.	
Response	Acceptable	"000" [CR]
	Unacceptable	"Error Code" [CR]

8.10.15 **CF\_P-MANE Command**

Command	"CF_P-MANE_%1" [CR]	
%1	"OFF" ----- Set Power Management to Off "READY" ----- Set Power Management to Ready "SHUTDOWN" ----- Set Power Management to Shut Down mode "UP" ----- Switch forward (Off→Ready→Shut down→Off) "DN" ----- Switch backward (Off→Shut down→Ready→Off)	
Details	Set/Cancel Power Management (Available only in the normal Power ON status) The status set by this command is stored in EEPROM and setting remains effective even after the power is turned to ALL OFF status.	
Response	Acceptable	"000" [CR]
	Unacceptable	"Error Code" [CR]

8.10.16 **CF\_P-MANETIME Command**

Command	"CF_P-MANETIME_%1" [CR]	
%1	"01" - "30" ----- Directly specify setting time by the minute "UP" ----- Increment value by 1 (Switched in 01→02→ --- → 30 → 01 order) "DN" ----- Decrement value by 1 (Switched in 30→29→ --- → 01 → 30 order)	
Details	Set time of Power Management time (Available only in the normal Power ON status) The status set by this command is stored in EEPROM and setting remains effective even after the power is turned to ALL OFF status.	
Response	Acceptable	"000" [CR]
	Unacceptable	"Error Code" [CR]

**8.10.17 CF\_STANDBYMODE Command**

Command	"CF_STANDBYMODE_%1" [CR]	
%1	"ECO" ----- Less standby electricity "NORMAL" ----- Normal standby electricity	
Details	Switch Standby Mode setting. (Available in normal Power ON status only).	
Response	Acceptable	"000" [CR]
	Unacceptable	"Error Code" [CR]

**8.10.18 CF\_ON-STA Command**

Command	"CF_ON-STA_%1" [CR]	
%1	"ON" ----- Set Power On Start to ON. "OFF" ----- Set Power On Start to OFF. "UP" ----- Toggle between ON and OFF.(On→Off→On → - - -) "DN" ----- Toggle between ON and OFF.(On→Off→On → - - -) *"UP" and "DN" are exactly same operation.	
Details	Set/Cancel Power ON Start (Available only in the normal Power ON status) The status set by this command is stored in EEPROM and setting value remains effective even after the power is turned to ALL OFF status.	
Response	Acceptable	"000" [CR]
	Unacceptable	"Error Code" [CR]

**8.10.19 CF\_POINTER Command**

Command	"CF_POINTER_%1" [CR]	
%1	"ARROW" ----- Select Arrow Pointer "FINGER" ----- Select Finger Pointer "LASER" ----- Select Dot Pointer	
Details	Select indication of Pointer. (Available only in the normal Power ON status) The status set by this command is stored in EEPROM and setting value remains effective even after the power is turned to ALL OFF status.	
Response	Acceptable	"000" [CR]
	Unacceptable	"Error Code" [CR]

**8.10.20 CF\_PTIMEMODE Command**

Command	"CF_PTIMEMODE_%1" [CR]	
%1	"COUNTUP" ----- Set P-timer to Count up mode "COUNTDN" ----- Set P-timer to Count down mode	
Details	Select count up/down mode of P-timer. (Available only in the normal Power ON status) The status set by this command is stored in EEPROM and setting value remains effective even after the power is turned to ALL OFF status.	
Response	Acceptable	"000" [CR]
	Unacceptable	"Error Code" [CR]

**8.10.21 CF\_PTIMER Command**

Command	"CF_PTIMER_%1" [CR]	
%1	"START" ----- Start P-timer "STOP" ----- Stop P-timer "RESTART" ----- Resume P-timer "RST" ----- Reset P-timer "EXIT" ----- Exit P-timer function	
Details	Select the status of P-timer. (Available only in the normal Power ON status)	
Response	Acceptable	"000" [CR]
	Unacceptable	"Error Code" [CR]

**8.10.22 CF\_PTIME Command**

Command	"CF_PTIME_%1" [CR]	
%1	"001" – "180" ----- Directly specify setting time	
Details	Set the time for Count down mode of P-timer. (Available only in the normal Power ON status) The status set by this command is stored in EEPROM and setting value remains effective even after the power is turned to ALL OFF status.	
Response	Acceptable	"000" [CR]
	Unacceptable	"Error Code" [CR]

**8.10.23 CF\_KEYDIS Command**

Command	"CF_KEYDIS_%1" [CR]	
%1	"NONE" ----- RC and KEY are both enabled. "RC" ----- RC is disabled. "KEY" ----- KEY is disabled.	
Details	Disable RC and/or KEY functions (Available only in the normal Power ON status)	
Response	Acceptable	"000" [CR]
	Unacceptable	"Error Code" [CR]

8.10.24 **CF\_PJPINCODE Command**

Command	"CF_PJPINCODE_%1" [CR]	
%1	"0000 – 9999" ----- Directly specify PJ PIN code	
Details	<p>Enter PIN code to cancel PIN code lock (Available only in the normal Power ON status)                  PIN code can not be changed. (Only PIN code lock is canceled.)                  *When PIN code Lock is enabled:                  PIN code is matched ----- Command is valid (Acceptable)                  PIN code is mismatched ----- Command is invalid (Error code "102")                  PIN code is beyond %1 available range ---- Command is invalid (Error code "?")                  *When PIN code lock is canceled:                  PIN code is within %1 range ----- Command is valid (Acceptable)                  PIN code is out of %1 range ----- Command is invalid (Error code is 102)</p> <p>This command is only valid when "PJ PIN code" dialog is displayed to enter PIN code after Power is ON and Countdown is completed.                  When PIN code lock is set to "On1", it needs to send this command every time the projector is turned on.</p>	
Response	Acceptable	"000" [CR]
	Unacceptable	"Error Code" [CR]

8.10.25 **CF\_SHUTRCPROT Command**

Command	"CF_SHUTRCPROT_%1" [CR]	
%1	"ON" ----- Disable RC key from controlling Shutter (Protection On) "OFF" ----- Enable RC key to control Shutter (Protection Off)	
Details	Set valid / invalid of RC use on Shutter control function (Valid only when in the normal Power ON status)	
Response	Acceptable	"000" [CR]
	Unacceptable	"Error Code" [CR]

8.10.26 **CF\_SHUTKEYPROT Command**

Command	"CF_SHUTKEYPROT_%1" [CR]	
%1	"ON" ----- Disable key on the top panel from controlling Shutter (Protection On) "OFF" ----- Enable key on the top panel to control Shutter (Protection Off)	
Details	Set valid / invalid use of key on the top panel on Shutter control function. (Valid only when in the normal Power ON status)	
Response	Acceptable	"000" [CR]
	Unacceptable	"Error Code" [CR]

8.10.27 CF\_SHUTH Command

Command	"CF_SHUTH_%1" [CR]	
%1	"005"-"180"-----Specify setting time directly "UP" ----- Add 1 minute "DN" -----Decrease 1 minute	
Details	Set time of operating shutter management function. (Valid only when in the normal Power ON status) The status set by this command is stored in EEPROM and setting remains effective even after the power is turned to ALL OFF status.	
Response	Acceptable	"000" [CR]
	Unacceptable	"Error Code" [CR]

8.10.28 CF\_DELAYCTRL Command

Command	"CF_DELAYCTRL_%1" [CR]	
%1	"OFF"----- Set Video delay control to OFF "LOW"----- Set Video delay control to LOW "MID"----- Set Video delay control to MID "HIGH"----- Set Video delay control to HIGH	
Details	Select the mode of Video delay control (Valid only when in the normal Power ON status) The status set by this command is stored in EEPROM and setting remains effective even after the power is turned to ALL OFF status.	
Response	Acceptable	"000" [CR]
	Unacceptable	"Error Code" [CR]

8.10.29 CF\_TESTPAT Command

Command	"CF_TESTPAT_%1" [CR]	
%1	"COLOR" ----- Display Color bar "GRAD1" ----- Display 16step(white→black) "GRAD2" ----- Display 16step(white←black) "GRAD3" ----- Display 16step(white↓black) "GRAD4" ----- Display 16step(white↑black) "WHITE" ----- Display all white "BLACK" ----- Display all black "CROSS" ----- Display Cross "OFF" -----Do not show test pattern display "UP" ----- Switch forward "DN" ----- Switch backward	
Details	Execute test pattern display. (Available only in the normal Power ON status)	
Response	Acceptable	"000" [CR]
	Unacceptable	"Error Code" [CR]

8.10.30 CF\_FDEFAULT Command

Command	"CF_FDEFAULT_%1" [CR]	
%1	"RST"	
Details	Reset to Factory Default setting (Available only in the normal Power ON status)	
Response	Acceptable	"000" [CR]
	Unacceptable	"Error Code" [CR]

**8.11 Other Commands**

**8.11.1 CF\_KEYEMU Command**

Command	"CF_KEYEMU_%1" [CR]	
%1	<p>"RIGHT" ----- Move Pointer rightward in On-Screen Display Menu                  "LEFT" ----- Move Pointer leftward in On-Screen Display Menu                  "UP" ----- Move Pointer to upward On-Screen Display Menu                  "DN" ----- Move Pointer to downward in On-Screen Display Menu                  "SELECT" ----- The same operation as "SELECT" button of RC                  "AUTOPC" ----- Execute Auto PC Adj. operation                  The same operation as "AUTO PC" button of RC                  When this is sent during Auto PC Adj. operation, the operation is stopped. This is same way as pressing "AUTO PC" button of RC.</p>	
Details	<p>This command is behaving the same as corresponding keys of Projector.                  Once Auto PC adj. is started with "AUTOPC" command, it does not stop with receiving the command another time.</p> <p>*When transmit command of CF_KEYEMU parameter                  - When User menu is displayed: function is carried out with having displayed User menu.                  - When User menu isn't displayed: error code "000" is returned, function is non-practice.</p> <p>* "101" is not returned even if a command of CF_KEYEMU is transmitted when cursor moves to the item which cannot toggle at an edge of the main menu.</p> <p>- example:                  Display main menu, and move to second menu of Image adj.                  Move a cursor to "Quit" position, and transmit a command of KEYEMU_DN. Then a cursor doesn't toggle and "000" is returned.</p> <p>*When transmit command of CF_KEYEMU AUTOPC                  - When practice of Auto pc adj is possible: Function is practice, "000" is returned.                  - When practice of Auto pc adj is impossible: display exclamation mark, "000" is returned.</p>	
Response	Acceptable	"000" [CR]
	Unacceptable	"Error Code" [CR]

**8.11.2 CF\_MENU Command**

Command	"CF_MENU_%1" [CR]	
%1	<p>"ON" ----- Display On-Screen Display Menu                  "OFF" ----- Hide On-Screen Display Menu</p>	
Details	<p>Set On-Screen Display mode.                  (Available only in the normal Power ON status)</p>	
Response	Acceptable	"000" [CR]
	Unacceptable	"Error Code" [CR]



### 8.11.3 CF\_POWER Command

Command	"CF_POWER_%1" [CR]	
%1	"ON" ----- Power ON "OFF" ----- Power OFF  * Issuing another command during countdown process forced countdown operation to be terminated. * Error Code is returned in some projector statuses, which indicates the command is impossible to be executed. (See [8.3] for details) * Returning the response "000" [CR] (acceptable) does not always mean that the status has already changed to Power ON. Example: When the temperature approaches abnormal status after returning "000" [CR] to the command CF_POWER ON. Therefore, to get the projector status requires using Status Read command.	
Details	Set Power to ON/OFF	
Response	Acceptable	"000" [CR]
	Unacceptable	"Error Code" [CR]

### 8.11.4 CF\_FREEZE Command

Command	"CF_FREEZE_%1" [CR]	
%1	"ON" ----- Set Freeze to ON. "OFF" ----- Set Freeze to OFF. "UP" ----- Switch forward (On→Off→On→---) "DN" ----- Switch backward (On→Off→On→---) * The same operation for "UP" and "DN" as this model has only "ON" / "OFF".	
Details	Set / Cancel Freeze function. (Available only in the normal Power ON status) Receiving FREEZE_ON command when the projector is Freeze enabled, Freeze status is kept.	
Response	Acceptable	"000" [CR]
	Unacceptable	"Error Code" [CR]

### 8.11.5 CF\_VMUTE Command

Command	"CF_VMUTE_%1" [CR]	
%1	"ON"----- Set Video Mute (Shutter Close) "OFF" -----Cancel Video Mute (Shutter Open)	
Details	Set / Cancel Video Mute. (Available only in the normal Power ON status)	
Response	Acceptable	"000" [CR]
	Unacceptable	"Error Code" [CR]

## 9. Status Read Command

### 9.1 Format

- 1) PC issues commands in format as below:  
 "CR\_ **COMMAND**" [CR]  
 Command: String
- 2) When projector receives the appropriate command, it returns the required data as a string.  
 "000\_" %1 [CR]  
 %1: Required Data (String)
- 3) When the received data cannot be decoded, the projector returns "?" [CR]

### 9.2 Transfer Example

Get total dots of projector by Expand Serial Commands

PC → PJ: "CR\_TDOTS" [CR]

PC ← PJ: "000\_1344" [CR]

### 9.3 Operation Condition

1. Basically it should be always operated.
2. Status Read Commands are invalid when projector is in standby under Eco mode selected in Standby mode menu

## 9.4 Image Status Read Command

### 9.4.1 CR\_BRIGHT Command

Command	"CR_BRIGHT" [CR]	
Details	Get user controlled value of Brightness	
Response	Acceptable	"000_%1" [CR]
	%1	"000 – 063"
	Unacceptable	"Error Code" [CR]

### 9.4.2 CR\_CONT Command

Command	"CR_CONT" [CR]	
Details	Get user controlled value of Contrast	
Response	Acceptable	"000_%1" [CR]
	%1	"000 – 063"
	Unacceptable	"Error Code" [CR]

### 9.4.3 CR\_COLOR Command

Command	"CR_COLOR" [CR]	
Details	Get user controlled value of Color	
Response	Acceptable	"000_%1" [CR]
	%1	"000 – 063"
	Unacceptable	"Error Code" [CR]

**9.4.4 CR\_TINT Command**

Command	"CR_TINT" [CR]	
Details	Get user controlled value of Tint	
Response	Acceptable	"000_%1" [CR]
	%1	"000 – 063"
	Unacceptable	"Error Code" [CR] --- When command is not available in the given condition (such as being selected input). "?" [CR] --- When unknown command is received

**9.4.5 CR\_SHARP Command**

Command	"CR_SHARP" [CR]	
Details	Get user controlled value of Sharpness	
Response	Acceptable	"000_%1" [CR]
	%1	"000 – 031"
	Unacceptable	"Error Code" [CR]

**9.4.6 CR\_GAMMA Command**

Command	"CR_GAMMA" [CR]	
Details	Get user controlled value of Gamma	
Response	Acceptable	"000_%1" [CR]
	%1	"000 – 015"
	Unacceptable	"Error Code" [CR]

**9.4.7 CR\_WBAL-R Command**

Command	"CR_WBAL-R" [CR]	
Details	Get user controlled Red value of White Balance	
Response	Acceptable	"000_%1" [CR]
	%1	"000 – 063"
	Unacceptable	"Error Code" [CR]

**9.4.8 CR\_WBAL-G Command**

Command	"CR_WBAL-G" [CR]	
Details	Get user controlled Green value of White Balance	
Response	Acceptable	"000_%1" [CR]
	%1	"000 – 063"
	Unacceptable	"Error Code" [CR]

9.4.9 **CR\_WBAL-B Command**

Command	"CR_WBAL-B" [CR]	
Details	Get user controlled Blue value of White Balance	
Response	Acceptable	"000_%1" [CR]
	%1	"000 – 063"
	Unacceptable	"Error Code" [CR]

9.4.10 **CR\_COLTEMP Command**

Command	"CR_COLTEMP" [CR]	
Details	Get Color Temperature setting status	
Response	Acceptable	"000_%1" [CR]
	%1	"000" ----- Xlow "001" ----- Low "002" ----- Mid "003" ----- High "BLANK" ---- OSD Menu is blank (Neither of Xlow / Low / Mid / High)
	Unacceptable	"Error Code" [CR]

9.4.11 **CR\_OFFSET-R Command**

Command	"CR_OFFSET-R" [CR]	
Details	Get user controlled Red value of Offset	
Response	Acceptable	"000_%1" [CR]
	%1	"000 – 063"
	Unacceptable	"Error Code" [CR]

9.4.12 **CR\_OFFSET-G Command**

Command	"CR_OFFSET-G" [CR]	
Details	Get user controlled Green value of Offset	
Response	Acceptable	"000_%1" [CR]
	%1	"000 – 063"
	Unacceptable	"Error Code" [CR]

9.4.13 **CR\_OFFSET-B Command**

Command	"CR_OFFSET-B" [CR]	
Details	Get user controlled Blue value of Offset	
Response	Acceptable	"000_%1" [CR]
	%1	"000 – 063"
	Unacceptable	"Error Code" [CR]

9.4.14 CR\_NZRED Command

Command	"CR_NZRED" [CR]	
Details	Get Noise Reduction setting status	
Response	Acceptable	"000_%1" [CR]
	%1	"OFF" ----- Cancel Noise Reduction "ON" ----- Set Noise Reduction
	Unacceptable	"Error Code" [CR]

9.4.15 CR\_PROGV Command

Command	"CR_PROGV" [CR]	
Details	Get Progressive scan setting status	
Response	Acceptable	"000_%1" [CR]
	%1	"ON" ----- Set Progressive scan On "FILM" ----- Select FILM mode "OFF" ----- Set Progressive scan Off
	Unacceptable	"Error Code" [CR]

9.4.16 CR\_IMAGE Command

Command	"CR_IMAGE" [CR]	
Details	Get image setting status	
Response	Acceptable	"000_%1" [CR]
	%1	"STAND" ----- Standard "REAL" ----- Real "CINEMA" ----- Cinema "CUSTOM1" ----- "Image1" "CUSTOM2" ----- "Image2" "CUSTOM3" ----- "Image3" "CUSTOM4" ----- "Image4" "CUSTOM5" ----- "Image5" "CUSTOM6" ----- "Image6" "CUSTOM7" ----- "Image7" "CUSTOM8" ----- "Image8" "CUSTOM9" ----- "Image9" "CUSTOM10" ----- "Image10"
	Unacceptable	"Error Code" [CR] ----- When the command is invalid due to condition such as Input source. "?" [CR] ----- When unknown command is received

9.4.17 CR\_IMGGMD Command

Command	"CR_IMGGMD" [CR]	
Details	Get setting status of Standard/Real/Cinema in Image Gamma	
Response	Acceptable	"000_%1" [CR]
	%1	"STD" ----- Standard "REL" ----- Real "CNM" ----- Cinema
	Unacceptable	"Error Code" [CR]

**9.5 PC Adjust Status Read Command**

**9.5.1 CR\_FSYNC Command**

Command	"CR_FSYNC" [CR]	
Details	Get value of Fine Sync	
Response	Acceptable	"000_%1" [CR]
	%1	"0000 – 0031"
	Unacceptable	"Error Code" [CR] --- When command is not available in the given condition (such as being selected input) "?" [CR] --- When unknown command is received

**9.5.2 CR\_TDOTS Command**

Command	"CR_TDOTS" [CR]	
Details	Get value of Total Dots	
Response	Acceptable	"000_%1" [CR]
	%1	"mmmm" – "nnnn" (mmmm = Display area H + Position H) (nnnn = Maximum value less than 140 MHz of Dot Clock)
	Unacceptable	"Error Code" [CR] ----- When command is not available in the given condition (such as being selected input) "?" [CR] ----- When unknown command is received

**9.5.3 CR\_CLPPHASE Command**

Command	"CR_CLPPHASE" [CR]	
Details	Get value of Clamp Phase value	
Response	Acceptable	"000_%1" [CR]
	%1	"0000 – 0255"
	Unacceptable	"Error Code" [CR]

**9.5.4 CR\_H-POS Command**

Command	"CR_H-POS" [CR]	
Details	Get value of Horizontal Position	
Response	Acceptable	"000_%1" [CR]
	%1	"0000 – nnnn" (nnnn = Total Dots – Display area H)
	Unacceptable	"Error Code" [CR] ----- When command is not available in the given condition (such as being selected input) "?" [CR] ----- When unknown command is received

**9.5.5 CR\_V-POS Command**

Command	"CR_V-POS" [CR]	
Details	Get value of Vertical Position	
Response	Acceptable	"000_%1" [CR]
	%1	"0000 – nnnn" (nnnn = Total Line – Display area V)
	Unacceptable	"Error Code" [CR] ---- When command is not available in the given condition (such as being selected input) "?" [CR] ----- When unknown command is received

**9.5.6 CR\_DDOTS Command**

Command	"CR_DDOTS" [CR]	
Details	Get value of Display Dots	
Response	Acceptable	"000_%1" [CR]
	%1	"0100 – nnnn" (nnnn = Total Dots – Position H)
	Unacceptable	"Error Code" [CR] ---- When command is not available in the given condition (such as being selected input) "?" [CR] ----- When unknown command is received

**9.5.7 CR\_DLINE Command**

Command	"CR_DLINE" [CR]	
Details	Get value of Display Line	
Response	Acceptable	"000_%1" [CR]
	%1	"0100 – nnnn" (nnnn = Total Line – Position V)
	Unacceptable	"Error Code" [CR] ---- When command is not available in the given condition (such as being selected input) "?" [CR] ----- When unknown command is received

9.5.8 CR\_ORGMODE Command

Command	"CR_ORGMODE" [CR]	
Details	Get the original signal of current selected Mode that is set in PC Adj. When MODE1- 10 or EXT11-50 is not selected, get the current signal.	
Response	Acceptable	"000_%1" [CR]
	%1	<p>When input signal is PC Analog;</p> <p>"VGA1" ----- Indicates signal is VGA1                      "VGA2" ----- Indicates signal is VGA2                      :                      :                      "XGA1" ----- Indicates signal is XGA1                      :                      :                      "WXGA3" ----- Indicates signal is WXGA3                      "1080i60" ----- Indicates signal is 1080i60                      "1080i50" ----- Indicates signal is 1080i50                      "1035i" ----- Indicates signal is 10350i                      "720P60" ----- Indicates signal is 720p60                      "720P50" ----- Indicates signal is 720p50                      "575P" ----- Indicates signal is 575p                      "480P" ----- Indicates signal is 480p                      "575i" ----- Indicates signal is 575i                      "480i" ----- Indicates signal is 480i                      "1080PSF/24" ----- Indicates signal is 1080psf/24                      "1080PSF/25" ----- Indicates signal is 1080psf/25                      "1080PSF/30" ----- Indicates signal is 1080psf/30                      "1080P24" ----- Indicates signal is 1080p24                      "1080P25" ----- Indicates signal is 1080p25                      "1080P30" ----- Indicates signal is 1080p30                      "1080P50" ----- Indicates signal is 1080p50                      "1080P60" ----- Indicates signal is 1080p60</p> <p>Note; To differentiate between 60Hz and 50Hz in 1080i and 720p,                      "60" or "50" is necessary to add to the parameter in this command                      * When input signal is not PC Analog, error code "101" is                      returned.</p>
	Unacceptable	"Error Code" [CR]



9.5.9 CR\_PCSTORE Command

Command	"CR_PCSTORE" [CR]	
Details	Get Free or Stored status of MODE1 - 5 in PC Adjust. Data consists of 10 bytes and each byte represents MODE1-10. (F:Free, S:Stored)	
Response	Acceptable	"000_%1" [CR]
	%1	"FFFFFFFF" ----- ALL Free "SFFFFFFFF" ----- Mode1 is Stored, others are Free : "FFFFFFFFS" ----- Mode10 is Stored, others are Free "SSSSSSSSS" ----- ALL Stored
	Unacceptable	"Error Code" [CR]

9.5.10 CR\_SETPCADJ Command

Command	"CR_SETPCADJ" [CR]	
Details	Get PC signal for current system	
Response	Acceptable	"000_%1" [CR]
	%1	When input signal is PC Analog; "VGA1" ----- Indicates VGA1 is selected "VGA2" ----- Indicates VGA2 is selected : : "XGA1" ----- Indicates XGA1 is selected : : "WXGA3" ----- Indicates WXGA3 is selected "1080I" ----- Indicates 1080i is selected "1035I" ----- Indicates 10350i is selected "720P" ----- Indicates 720p is selected "575P" ----- Indicates 575p is selected "480P" ----- Indicates 480p is selected "575I" ----- Indicates 575i is selected "480I" ----- Indicates 480i is selected "1080PSF/24" ----- Indicates 1080psf/24 is selected "1080PSF/25" ----- Indicates 1080psf/25 is selected "1080PSF/30" ----- Indicates 1080psf/30 is selected : "MODE10" ----- Indicates Mode10 is selected "EXT11" ----- EXT11 is selected : "EXT60" ----- EXT60 is selected  * Error Code "101" [CR] is returned for no signal. * When input signal is not PC Analog, error code "101" is returned.
	Unacceptable	"Error Code" [CR]

9.6 Video Status Read Command

9.6.1 CR\_SERSYS Command

Command	"CR_SERSYS" [CR]	
Details	<p>Get selected current signal.                  Auto detected signal is returned in Auto mode                  Only available when Input is Y,Pb/Cb,Pr/Cr, S-Video or Video. (This is not the case for PC-Analog/PC-Digital/AV HDCP signals)</p>	
Response	Acceptable	"000_%1" [CR]
	%1	<p>"1080PSF/24" ----- 1080psf 24Hz                  "1080P60" ----- 1080p 60Hz                  "1080P50" ----- 1080p 50Hz                  "1080P30" ----- 1080p 30Hz                  "1080P25" ----- 1080p 25Hz                  "1080P24" ----- 1080p 24Hz                  "1080i60" ----- 1080i 60Hz , 1080psf 30Hz                  "1080i50" ----- 1080i 50Hz , 1080psf 25Hz                  "1035i" ----- 1035i                  "720P60" ----- 720p 60Hz                  "720P50" ----- 720p 50Hz                  "575P" ----- 575p                  "480P" ----- 480p                  "575i" ----- 575i (includes Composite signal such as PAL)                  "480i" ----- 480i (includes Composite signal such as NTSC)                  "NO_SIGNAL" ----- No signal</p> <p>*When 1080psf30 or 1080psf25 is inputted in System Auto, parameter same as 1080i60/1080i50 is returned.</p>
	Unacceptable	<p>"101" [CR] --- When input signal is PC-Analog, PC-Digital or PC signals in AV HDCP                  "?" [CR]</p>

## 9.7 Input Read Command

### 9.7.1 CR\_INPUT Command

Command	"CR_INPUT" [CR]	
Details	Get selected INPUT No.	
Response	Acceptable	"000_%1" [CR]
	%1	"1 – 4"
	Unacceptable	"Error Code" [CR]

### 9.7.2 CR\_SOURCE Command

Command	"CR_SOURCE" [CR]	
Details	Get selected source	
Response	Acceptable	"000_%1" [CR]
	%1	"DIGITAL" ----- RGB (PC Digital) is selected "ANALOG" ----- RGB (PC Analog) is selected "SCART" ----- RGB (Scart) is selected "HDCP" ----- RGB (AV HDCP) is selected "VIDEO" ----- Video is selected "S-VIDEO" ----- S-Video is selected "YPBPR" ----- Y,Pb/Cb,Pr/Cr is selected "NETWORK" ----- Network is selected
	Unacceptable	"Error Code" [CR] --- When command is not available in the given condition (such as being selected input) "?" [CR] ----- When unknown command is received

### 9.7.3 CR\_SRCINP1 Command

Command	"CR_SRCINP1" [CR]	
Details	Get Source of INPUT1	
Response	Acceptable	"000_%1" [CR]
	%1	"DIGITAL" ----- in PC Digital mode "ANALOG" ----- in PC Analog mode "SCART" ----- in Scart mode "HDCP" ----- in AV HDCP mode
	Unacceptable	"Error Code" [CR]

### 9.7.4 CR\_SRCINP2 Command

Command	"CR_SRCINP2" [CR]	
Details	Get Source of INPUT2	
Response	Acceptable	"000_%1" [CR]
	%1	"VIDEO" ----- in Video mode "YPBPR" ----- in Y,Pb/Cb,Pr/Cr mode "ANALOG" ----- in RGB mode
	Unacceptable	"Error Code" [CR]

9.7.5 CR\_SRCINP3 Command

Command	"CR_SRCINP3" [CR]	
Details	Get Source of INPUT3	
Response	Acceptable	"000_%1" [CR]
	%1	"VIDEO" ----- in Video mode "S-VIDEO" ----- in S-video mode "YPBPR" ----- in Y,Pb/Cb,Pr/Cr mode
	Unacceptable	"Error Code" [CR]

9.7.6 CR\_SRCINP4 Command

Command	"CR_SRCINP4" [CR]	
Details	Get Source of INPUT4	
Response	Acceptable	"000_%1" [CR]
	%1	"NETWORK" ----- With PJ-Net attached and the power ON
	Unacceptable	"101" [CR] ----- With PJ-Net attached and the power ON "103" [CR] ----- With PJ-Net unattached "?" [CR] ----- When unknown command is received.

9.7.7 CR\_SYSTEM Command

Command	"CR_SYSTEM" [CR]	
Details	Get selected System	
Response	Acceptable	"000_%1" [CR] "VGA1" ----- indicates VGA1 is selected "VGA2" ----- indicates VGA2 is selected : : "XGA1" ----- indicates XGA1 is selected : "WXGA3" ----- indicates WXGA3 is selected "1080I" ----- indicates 1080i is selected "1035I" ----- indicates 1035i is selected "720P" ----- indicates 720p is selected "575P" ----- indicates 575p is selected "480P" ----- indicates 480p is selected "575I" ----- indicates 575i is selected "480I" ----- indicates 480i is selected "1080PSF/24" ----- indicates 1080psf/24 is selected "1080PSF/25" ----- indicates 1080psf/25 is selected "1080PSF/30" ----- indicates 1080psf/30 is selected "MODE1" ----- indicates Mode1 is selected : : "MODE10" ----- indicates Mode10 is selected "EXT11" ----- indicates EXT11 is selected : : "EXT60" ----- indicates EXT60 is selected * Error Code "101" [CR] is returned for no signal
	%1	Input is PC-Digital/AV-HDCP "D-XGA1" ----- indicates D-XGA1 is selected : "D-WXGA3" ----- indicates D-WXGA3 is selected "D-1080I" ----- indicates D-1080i is selected "D-1035I" ----- indicates D-1035i is selected "D-720P" ----- indicates D-720p is selected "D-575P" ----- indicates D-575p is selected "D-480P" ----- indicates D-480p is selected "D-1080PSF/24" ----- indicates D-1080psf/24 is selected "D-1080PSF/25" ----- indicates D-1080psf/25 is selected "D-1080PSF/30" ----- indicates D-1080psf/30 is selected * Error Code "101" [CR] is returned for no signal
		Input is Y,Pb/Cb,Pr/Cr "AUTO" ----- indicates Auto is selected "1080P" ----- indicates 1080p is selected "1080I" ----- indicates 1080i is selected "1035I" ----- indicates 1035i is selected "720P" ----- indicates 720p is selected "575P" ----- indicates 575p is selected "480P" ----- indicates 480p is selected "575I" ----- indicates 575i is selected "480I" ----- indicates 480i is selected * Selected System is returned, whether or not signal is coming.
		Input is Video or S-video "AUTO" ----- indicates Auto is selected "NTSC" ----- indicates NTSC is selected "NTSC443" ----- indicates NTSC4.43 is selected "PAL" ----- indicates PAL is selected "SECAM" ----- indicates SECAM is selected "PAL-M" ----- indicates PAL-M is selected "PAL-N" ----- indicates PAL-N is selected * Selected System is returned, whether or not signal is coming.
	Unacceptable	"Error Code" [CR]

9.7.8 CR\_SYSLIST Command

Command	"CR_SYSLIST" [CR]	
Details	Get possible systems for System list	
Response	Acceptable	"000_%1_%2_---_%x" [CR]
	%1	<p>Error Code "101" is returned for no signal.                      Otherwise following values are returned according to Source.                      When input is PC-Analog;                      "XGA1" ----- XGA1 is in the list                      "1080I" ----- 1080i is in the list                      "1080PSF/24" ----- 1080psf/24 is in the list                      "1080PSF/25" ----- 1080psf/25 is in the list                      "1080PSF/30" ----- 1080psf/30 is in the list                      * Auto, Mode1-10 shall not be returned.                      When input is PC-digital or AV-HDCP;                      "D-XGA" ----- D-XGA is in the list                      "D-720P" ----- D720p is in the list                      "D-1080PSF/24" ----- D1080psf/24 is in the list                      "D-1080PSF/25" ----- D1080psf/25 is in the list                      "D-1080PSF/30" ----- D1080psf/30 is in the list                      -When input is Y,Pb/Cb,Pr/Cr;                      All possible systems in Menu, including Auto, are returned;                      "AUTO" ----- Auto is in the list                      "1080I" ----- 1080i is in the list                      "1035I" ----- 1035i is in the list                      :                      "575I" ----- 575i is in the list                      "480I" ----- 480i is in the list                      -When input is Video or S-video;                      All possible systems in Menu, including Auto, are returned;                      "AUTO" ----- Auto is in the list                      "PAL" ----- PAL is in the list                      "SECAM" ----- SECAM is in the list                      :                      "PAL-N" ----- PAL-N is in the list</p>
	Unacceptable	"Error Code" [CR]

9.7.9 CR\_MODELIST Command

Command	"CR_MODELIST" [CR]	
Details	Get possible modes for Mode list	
Response	Acceptable	"000_%1_%2_---_%x" [CR]
	%1	<p>Error Code "101" is returned except for PC-Analog and for no signal with PC-Analog                      Possible modes in Mode1-10 are returned when PC-Analog signal is coming.                      "MODE1"                      "MODE2"                      "MODE3"                      :                      :                      :                      "MODE8"                      "MODE9"                      "MODE10"</p>
	Unacceptable	"Error Code" [CR]

**9.7.10 CR\_HMSLOT Command**

Command	"CR_HMSLOT" [CR]	
Details	Get the total number of Input.	
Response	Acceptable	"000_%1" [CR]
	%1	"004" ----- When PJ-Net is attached. "003" ----- When PJ-Net is not attached.
	Unacceptable	"Error Code" [CR]

**9.7.11 CR\_NMSLOT1 Command**

Command	"CR_NMSLOT1" [CR]	
Details	Get terminal information of Input1	
Response	Acceptable	"000_%1" [CR]
	%1	"RGB"
	Unacceptable	"Error Code" [CR]

**9.7.12 CR\_NMSLOT2 Command**

Command	"CR_NMSLOT2" [CR]	
Details	Get terminal information of Input2	
Response	Acceptable	"000_%1" [CR]
	%1	"5BNC"
	Unacceptable	"Error Code" [CR]

**9.7.13 CR\_NMSLOT3 Command**

Command	"CR_NMSLOT3" [CR]	
Details	Get terminal information of Input3	
Response	Acceptable	"000_%1" [CR]
	%1	"VIDEO"
	Unacceptable	"Error Code" [CR]

**9.7.14 CR\_NMSLOT4 Command**

Command	"CR_NMSLOT4" [CR]	
Details	Get terminal information of Input4	
Response	Acceptable	"000_%1" [CR]
	%1	"NETWORK" ----- When PJ-Net is attached. *With PJ-Net unattached, this command is invalid and error code "103" is returned. *With PJ-Net attached and the power OFF, error code "101" is returned. *In models not supporting PJ-Net, error code "103" is returned.
	Unacceptable	"Error Code" [CR]

**9.7.15 CR\_IDSLOT1 Command**

Command	"CR_IDSLOT1" [CR]	
Details	Get ID information of Input1. This command is to determine sources possible to input.	
Response	Acceptable	"000_%1" [CR]
	%1	"30" ----- On-board (DVI-D and D-Sub) Available source: DIGITAL, ANALOG, SCART, HDCP
	Unacceptable	"Error Code" [CR]

**9.7.16 CR\_IDSLOT2 Command**

Command	"CR_IDSLOT2" [CR]	
Details	Get ID information of Input2. This command is to determine sources possible to input.	
Response	Acceptable	"000_%1" [CR]
	%1	"41" ----- On-board (5BNC) Available source: ANALOG, VIDEO, YPBPR
	Unacceptable	"Error Code" [CR]

**9.7.17 CR\_IDSLOT3 Command**

Command	"CR_IDSLOT3" [CR]	
Details	Get ID information of Input3. This command is to determine sources possible to input.	
Response	Acceptable	"000_%1" [CR]
	%1	"51" ----- On-board (3BNC and S-VIDEO) Available source: VIDEO, S-VIDEO, YPBPR
	Unacceptable	"Error Code" [CR]

**9.7.18 CR\_IDSLOT4 Command**

Command	"CR_IDSLOT4" [CR]	
Details	Get ID information of Input4. This command is to determine sources possible to input.	
Response	Acceptable	"000_%1" [CR]
	%1	"13" ----- PJ-Net (Viewer capable) Available source: Network *With PJ-Net unattached, this command is invalid and error code "103" is returned. *With PJ-Net attached and the power OFF, error code "101" is returned. *In models not supporting PJ-Net, error code "103" is returned.
	Unacceptable	"Error Code" [CR]



**9.8 Screen Status Read Command**

**9.8.1 CR\_SCREEN Command**

Command	"CR_SCREEN" [CR]	
Details	Get selected screen image size	
Response	Acceptable	"000_%1" [CR]
	%1	"NORMAL" ----- Normal mode "WIDE" ----- Wide mode "FULL" ----- Full screen mode "TRUE" ----- True mode "CUSTOM" ----- Custom mode
	Unacceptable	"Error Code" [CR] --- When command is not available in the given condition (such as being selected input). "?" [CR] --- When unknown command is received

**9.8.2 CR\_VSCALE Command**

Command	"CR_VSCALE" [CR]	
Details	Get setting status of V scale	
Response	Acceptable	"000_%1" [CR]
	%1	"-32" – "035"
	Unacceptable	"Error Code" [CR]

**9.8.3 CR\_VPOS Command**

Command	"CR_VPOS" [CR]	
Details	Get setting status of V Position	
Response	Acceptable	"000_%1" [CR]
	%1	"-15" – "015"
	Unacceptable	"Error Code" [CR]

**9.8.4 CR\_HSCALE Command**

Command	"CR_HSCALE" [CR]	
Details	Get setting status of H scale	
Response	Acceptable	"000_%1" [CR]
	%1	"-32" – "035"
	Unacceptable	"Error Code" [CR]

**9.8.5 CR\_HPOS Command**

Command	"CR_HPOS" [CR]	
Details	Get setting status of H Position	
Response	Acceptable	"000_%1" [CR]
	%1	"-15" – "015"
	Unacceptable	"Error Code" [CR]

**9.8.6 CR\_ KYSTNMODE Command**

Command	"CR_KYSTNMODE" [CR]	
Details	Get setting status of Keystone Store Mode	
Response	Acceptable	"000_%1" [CR]
	%1	"STR" ----- Store mode is "Store" "RST" ----- Store mode is "Reset"
	Unacceptable	"?" [CR] ----- When unknown command is received

**9.8.7 CR\_CORNERTESTPAT Command**

Command	"CR_CORNERTESTPAT" [CR]	
Details	Get setting status of test pattern for Corner correction	
Response	Acceptable	"000_%1" [CR]
	%1	"RED" ----- Test pattern is red "WHITE" ----- Test pattern is white "BLUE" ----- Test pattern is blue "OFF" ----- Test pattern is not displayed
	Unacceptable	"Error Code" [CR]

**9.8.8 CR\_CEIL Command**

Command	"CR_CEIL" [CR]	
Details	Get setting status of Ceiling	
Response	Acceptable	"000_%1" [CR]
	%1	"ON" ----- Ceiling projection is enabled "OFF" ----- Ceiling projection is disabled
	Unacceptable	"Error Code" [CR]

**9.8.9 CR\_REAR Command**

Command	"CR_REAR" [CR]	
Details	Get setting status of Rear function	
Response	Acceptable	"000_%1" [CR]
	%1	"ON" ----- Rear projection is enabled "OFF" ----- Rear projection is disabled
	Unacceptable	"Error Code" [CR]

## 9.9 Lamp Status Read Command

### 9.9.1 CR\_LAMPREPL Command

Command	"CR_LAMPREPL" [CR]	
Details	Get information of Lamp Replacement time	
Response	Acceptable	"000_%1" [CR]
	%1	"1Y" ----- indicates over lamp replacement time "1N" ----- indicates under lamp replacement time
	Unacceptable	"?" [CR]

### 9.9.2 CR\_LAMPH Command

Command	"CR_LAMPH" [CR]	
Details	Get Lamp running time (in hours) * return actual lamp running time	
Response	Acceptable	"000_%1" [CR]
	%1	"00000 - 99999"
	Unacceptable	"Error Code" [CR]

### 9.9.3 CR\_LAMPCORRESPH Command

Command	"CR_LAMPCORRESPH" [CR]	
Details	Get Lamp running time (in hours) *return lamp running time multiplied by a coefficient (not actual running time)	
Response	Acceptable	"000_%1" [CR]
	%1	"00000 – 99999"
	Unacceptable	"Error Code" [CR]

### 9.9.4 CR\_LAMPMODE Command

Command	"CR_LAMPMODE" [CR]	
Details	Get setting status of Lamp mode	
Response	Acceptable	"000_%1" [CR]
	%1	"NORMAL" ----- Lamp mode is Normal status "ECO1" ----- Lamp mode is Eco1 status "ECO2" ----- Lamp mode is Eco2 status "AUTO" ----- Lamp mode is Auto status
	Unacceptable	"?" [CR]

### 9.9.5 CR\_LAMPSTS Command

Command	"CR_LAMPSTS" [CR]	
Details	Get Lamp status	
Response	Acceptable	"000_%1" [CR]
	%1	"1I" ----- Lamp is ON "1O" ----- Lamp is OFF "1X" ----- Lamp Failure
	Unacceptable	"Error Code" [CR]

**9.9.6 CR\_PROJH Command**

Command	"CR_PROJH" [CR]	
Details	Get total running time of Projector (in hours)	
Response	Acceptable	"000_%1" [CR]
	%1	"0000000 – 0099999"
	Unacceptable	"Error Code" [CR]

**9.9.7 CR\_HMLAMP Command**

Command	"CR_HMLAMP" [CR]	
Details	Get total lamp number	
Response	Acceptable	"000_%1" [CR]
	%1	"001"
	Unacceptable	"Error Code" [CR]

**9.9.8 CR\_LAMPLIFECNTRL Command**

Command	"CR_LAMPLIFECNTRL" [CR]	
Details	Get setting status of Lamp life control	
Response	Acceptable	"000_%1" [CR]
	%1	"MODE1" ----- Lamp life control is Mode1 status "MODE2" ----- Lamp life control is Mode2 status
	Unacceptable	"Error Code" [CR]

### 9.10 Sound Status Read Command

#### 9.10.1 CR\_VOLUME Command

Command	"CR_VOLUME" [CR]	
Details	Get volume value by user control * When input signal is Network, error code "101" is returned.	
Response	Acceptable	"000_%1" [CR]
	%1	"000 – 063"
	Unacceptable	"Error Code" [CR]

#### 9.10.2 CR\_MUTE Command

Command	"CR_MUTE" [CR]	
Details	Get setting status of Sound Mute. * When input signal is Network, error code "101" is returned.	
Response	Acceptable	"000_%1" [CR]
	%1	"ON" ----- Sound Mute is ON. "OFF" ----- Sound Mute is OFF.
	Unacceptable	"Error Code" [CR]

#### 9.10.3 CR\_BLTINSP Command

Command	"CR_BLTINSP" [CR]	
Details	Get setting status of Built- in speaker. * When input signal is Network, error code "101" is returned.	
Response	Acceptable	"000_%1" [CR]
	%1	"ON" ----- Built-in speaker is ON. "OFF" ----- Built-in speaker is OFF
	Unacceptable	"Error Code" [CR]

9.11 Setting Status Read Command

9.11.1 CR\_LANG Command

Command	"CR_LANG" [CR]	
Details	Get selected language	
Response	Acceptable	"000_%1" [CR]
	%1	"ENG" ----- English is selected "DEU" ----- German is selected "FRA" ----- French is selected "ITA" ----- Italian is selected "ESP" ----- Spanish is selected "POR" ----- Portuguese is selected "NED" ----- Dutch is selected "SVE" ----- Swedish is selected "JPN" ----- Japanese is selected "CHI" ----- Chinese is selected "KOR" ----- Korean is selected "RUS" ----- Russian is selected
	Unacceptable	"Error Code" [CR]

9.11.2 CR\_INPUTBUTTON Command

Command	"CR_INPUTBUTTON" [CR]	
Details	Get setting status of Input button	
Response	Acceptable	"000_%1" [CR]
	%1	"MODE1" ----- Input button mode is Mode1. "MODE2" ----- Input button mode is Mode2. "MODE3" ----- Input button mode is Mode3.
	Unacceptable	"Error Code" [CR]

9.11.3 CR\_DISP Command

Command	"CR_DISP" [CR]	
Details	Get setting status of Display	
Response	Acceptable	"000_%1" [CR]
	%1	"ON" ----- Display is ON "CNTDWN OFF" ----- Count down is OFF "OFF" ----- Display is OFF
	Unacceptable	"Error Code" [CR]

9.11.4 CR\_BACKGND Command

Command	"CR_BACKGND" [CR]	
Details	Get setting status of Screen for no signal	
Response	Acceptable	"000_%1" [CR]
	%1	"BLUE" ----- Blue Back is selected "USER" ----- User is selected "BLACK" ----- Black Back is selected
	Unacceptable	"Error Code" [CR]

**9.11.5 CR\_LOGO Command**

Command	"CR_LOGO" [CR]	
Details	Get setting status of Logo	
Response	Acceptable	"000_%1" [CR]
	%1	"DFLT" ----- Default Logo is enabled "USER" ----- User is enabled "OFF" ----- Logo is disabled
	Unacceptable	"Error Code" [CR]

**9.11.6 CR\_LOGOLOCK Command**

Command	"CR_LOGOLOCK" [CR]	
Details	Get setting status of Logo Lock function	
Response	Acceptable	"000_%1" [CR]
	%1	"ON" ----- Logo Lock is ON "OFF" ----- Logo Lock is OFF
	Unacceptable	"Error Code" [CR]

**9.11.7 CR\_FILREMAIN Command**

Command	"CR_FILREMAIN" [CR]	
Details	Get remaining number of usable Filter scroll	
Response	Acceptable	"000_%1" [CR]
	%1	"09" = Remaining number of usable Filter scroll : 9 times "00" = Remaining number of usable Filter scroll : 0 time
	Unacceptable	"Error Code" [CR]

**9.11.8 CR\_FILH Command**

Command	"CR_FILH" [CR]	
Details	Get Filter used time	
Response	Acceptable	"000_%1" [CR]
	%1	"00000 - 99999"
	Unacceptable	"Error Code" [CR]

**9.11.9 CR\_FILTIMER Command**

Command	"CR_FILTIMER" [CR]	
Details	Get Filter used time	
Response	Acceptable	"000_%1" [CR]
	%1	"0400" ----- Display message by 400h used. "0700" ----- Display message by 700h used. "1000" ----- Display message by 1000h used. "OFF" ----- Off(Warning display is not displayed)
	Unacceptable	"Error Code" [CR]

9.11.10 **CR\_FILCOND** Command

Command	"CR_FILCOND" [CR]	
Details	Get status of filter clog	
Response	Acceptable	"000_%1" [CR]
	%1	"CLOG" = Filter is clogged "WARN" = Filter is nearly clogged "CLEAN" = Filter is not clogged
	Unacceptable	"Error Code" [CR]

9.11.11 **CR\_FILREPL** Command

Command	"CR_FILREPL" [CR]	
Details	Get status of Filter cleaning / replacement time	
Response	Acceptable	"000_%1" [CR]
	%1	"1Y"-----Filter Exchange time is over value of Filter Message. "1N"--Filter Exchange time is not over value of Filter Message.
	Unacceptable	"Error Code" [CR]

9.11.12 **CR\_FANSPEED** Command

Command	"CR_FANSPEED" [CR]	
Details	Get selected Fan Control Speed mode.	
Response	Acceptable	"000_%1" [CR]
	%1	"MAX" ----- Max mode is selected "NOR" ----- Normal mode is selected
	Unacceptable	"Error Code" [CR]

9.11.13 **CR\_SIMPLEMODE** Command

Command	"CR_SIMPLEMODE" [CR]	
Details	Get setting status of Simple mode.	
Response	Acceptable	"000_%1" [CR]
	%1	"ON" ----- Simple mode is ON "OFF" ----- Simple mode is OFF
	Unacceptable	"Error Code" [CR]

9.11.14 **CR\_RCODE** Command

Command	"CR_RCODE" [CR]	
Details	Get selected Remote Control Code	
Response	Acceptable	"000_%1" [CR]
	%1	"001" ----- Code 1 is selected "002" ----- Code 2 is selected "003" ----- Code 3 is selected "004" ----- Code 4 is selected "005" ----- Code 5 is selected "006" ----- Code 6 is selected "007" ----- Code 7 is selected "008" ----- Code 8 is selected
	Unacceptable	"Error Code" [CR]



9.11.15 **CR\_RSENS** Command

Command	"CR_RSENS" [CR]	
Details	Get selected location of infrared remote receiver of remote control	
Response	Acceptable	"000_%1" [CR]
	%1	"ALL" ----- Select top, front and back receiver of projector "FRONTTOP" ----- Select front and top receiver of projector "BACKTOP" ----- Select back and top receiver of projector "FRONTBACK" ----- Select front and back receiver of projector "FRONT" ----- Select only front receiver of projector "TOP" ----- Select only top receiver of projector "BACK" ----- Select only back receiver of projector
	Unacceptable	"Error Code" [CR]

9.11.16 **CR\_RTYPE** Command

Command	"CR_RTYPE" [CR]	
Details	Get status of supported Remote Control (IR/RF).	
Response	Acceptable	"000_%1" [CR]
	%1	"IR" ----- IR "RF" ----- RF (cannot be returned as this model supports only IR remote control)
	Unacceptable	"Error Code" [CR]

9.11.17 **CR\_P-MANE** Command

Command	"CR_P-MANE" [CR]	
Details	Get setting status of Power management	
Response	Acceptable	"000_%1" [CR]
	%1	"OFF" ----- Power Management is disabled "READY" ----- Power Management is set to Ready "SHUTDOWN" ----- Power Management is set to Shut Down mode
	Unacceptable	"Error Code" [CR]

9.11.18 **CR\_P-MANETIME** Command

Command	"CR_P-MAETIME" [CR]	
Details	Get setting time for starting Power Management function	
Response	Acceptable	"000_%1" [CR]
	%1	"001 – 030" ----- 1 to 30 minutes
	Unacceptable	"Error Code" [CR]

9.11.19 **CR\_STANDBYMODE** Command

Command	"CR_STANDBYMODE" [CR]	
Details	Get setting status of Standby mode	
Response	Acceptable	"000_%1" [CR]
	%1	"ECO" ----- Less standby electricity "NORMAL" ----- Normal standby electricity
	Unacceptable	"Error Code" [CR]

**9.11.20 CR\_ON-STA Command**

Command	"CR_ON-STA" [CR]	
Details	Get setting status of Power ON Start	
Response	Acceptable	"000_%1" [CR]
	%1	"ON" ----- Power ON Start is ON "OFF" ----- Power ON Start is OFF
	Unacceptable	"Error Code" [CR]

**9.11.21 CR\_POINTER Command**

Command	"CR_POINTER" [CR]	
Details	Get setting status of Pointer	
Response	Acceptable	"000_%a" [CR]
	%1	"ARROW" ----- Arrow Pointer mode "FINGER" ----- Finger Pointer mode "LASER" ----- Dot Pointer mode
	Unacceptable	"Error Code" [CR]

**9.11.22 CR\_PTIMEMODE Command**

Command	"CR_PTIMEMODE" [CR]	
Details	Get setting status of count up/down mode in P-timer	
Response	Acceptable	"000_%a" [CR]
	%1	"COUNTUP" ----- Set P-timer to Count up mode "COUNTDN" ----- Set P-timer to Count down mode
	Unacceptable	"Error Code" [CR]

**9.11.23 CR\_PTIMER Command**

Command	"CR_PTIMER" [CR]	
Details	Get setting status of P-timer	
Response	Acceptable	"000_%a" [CR]
	%1	"ON" ----- P-timer is activated "STOP" ----- P-timer is temporarily suspended "OFF" ----- Exit P-timer function
	Unacceptable	"Error Code" [CR]

**9.11.24 CR\_PTIME Command**

Command	"CR_PTIME" [CR]	
Details	Get setting time for count down mode of P-timer	
Response	Acceptable	"000_%a" [CR]
	%1	"001" – "180" ----- 1 to 180 minutes
	Unacceptable	"Error Code" [CR]

9.11.25 **CR\_KEYDIS** Command

Command	"CR_KEYDIS" [CR]	
Details	Get status of RC/KEY (valid or invalid)	
Response	Acceptable	"000_%1" [CR]
	%1	"NONE" ----- RC and KEY, both are valid "RC" ----- RC is invalid "KEY" ----- KEY is invalid
	Unacceptable	"Error Code" [CR]

9.11.26 **CR\_SECURITY** Command

Command	"CR_SECURITY" [CR]	
Details	Get ON/OFF setting status of Security on menu.	
Response	Acceptable	"000_%1" [CR]
	%1	"ON" ----- PJ is locked "OFF" ----- PJ is not locked.
	Unacceptable	"Error Code" [CR]

9.11.27 **CR\_PJLOCKNOW** Command

Command	"CR_PJLOCKNOW" [CR]	
Details	Get actual setting status of PIN code lock	
Response	Acceptable	"000_%1" [CR]
	%1	"LOCK" ----- PJ is locked PIN code lock is set to ON1/ON2 on the menu and PJ PIN code is not entered, therefore PJ is actually locked. "FREE" ----- PJ is unlocked (either A or B) A) PJ lock is set to OFF on the menu B) PJ lock is set to ON1/ON2 on the menu, but PIN code Lock mode is released because PJ PIN code is entered.
	Unacceptable	"Error Code" [CR]

9.11.28 **CR\_PJLOCKMENU** Command

Command	"CR_PJLOCKMENU" [CR]	
Details	Get ON/OFF setting status of PIN code lock on menu	
Response	Acceptable	"000_%1" [CR]
	%1	"ON1" ----- PIN code lock ON 1 is set on the menu "ON2" ----- PIN code lock ON 2 is set on the menu "OFF" ----- PIN code lock OFF is set on the menu
	Unacceptable	"Error Code" [CR]

9.11.29 **CR\_SHUTRCPROT** Command

Command	"CR_SHUTRCPROT" [CR]	
Details	Get status if Shutter can be controlled by R/C	
Response	Acceptable	"000_%1" [CR]
	%1	"ON" ----- Shutter is not controllable by R/C "OFF" ----- Shutter is controllable by R/C
	Unacceptable	"Error Code" [CR]

9.11.30 **CR\_SHUTKEYPROT** Command

Command	"CR_SHUTKEYPROT" [CR]	
Details	Get status if Shutter can be controlled by key on the top panel	
Response	Acceptable	"000_%1" [CR]
	%1	"ON" ----- Shutter is not controllable by key on the top panel "OFF" ----- Shutter is controllable by key on the top panel
	Unacceptable	"Error Code" [CR]

9.11.31 **CR\_SHUTH** Command

Command	"CR_SHUTH" [CR]	
Details	Get time setting to start the shutter management	
Response	Acceptable	"000_%1" [CR]
	%1	"005" ----- 5 minutes "006" ----- 6 minutes : "179" ----- 179 minutes "180" ----- 180 minutes
	Unacceptable	"Error Code" [CR]

9.11.32 **CR\_DELAYCTRL** Command

Command	"CR_DELAYCTRL" [CR]	
Details	Get setting status of Video delay control	
Response	Acceptable	"000_%1" [CR]
	%1	"OFF"----- Set Video delay control to OFF "LOW"----- Set Video delay control to LOW "MID"----- Set Video delay control to MID "HIGH"----- Set Video delay control to HIGH
	Unacceptable	"Error Code" [CR]

9.11.33 **CR\_TESTPAT** Command

Command	"CR_TESTPAT" [CR]	
Details	Get setting status of Test pattern	
Response	Acceptable	"000_%1" [CR]
	%1	"COLOR" ----- Color bar is displayed "GRAD1" ----- 16step(white→black) is displayed "GRAD2" ----- 16step(white←black) is displayed "GRAD3" ----- 16step(white↓black) is displayed "GRAD4" ----- 16step(white↑black) is displayed "WHITE" ----- All white is displayed "BLACK" ----- All black is displayed "CROSS" ----- Cross is displayed "OFF" ----- Test pattern display is not displayed
	Unacceptable	"Error Code" [CR]

9.12 Other Status Read Commands

9.12.1 CR\_STATUS Command

COMMAND	"CR_STATUS" [CR]	
Detail	Get operating status of Projector Same as "CR0" in basic command except error code follows it.	
Response	Acceptable	"000_%1" [CR]
	%1	"00" = Power ON "80" = Standby "40" = Countdown in process "20" = Cooling Down in process "10" = Power Failure "28" = Cooling Down in process due to abnormal temperature "88" = Standby after Cooling Down due to abnormal temperature "02" = Invalid RS-232C Command "24" = Power Save/Cooling Down in process "04" = Power Save "21" = Cooling Down in process after turned Off due to lamp failure "81" = Standby after Cooling Down due to lamp failure "2C" = Cooling Down in process after Power Off due to Shutter management "8C" = Standby after Cooling Down due to Shutter management
	Unacceptable	"Error Code" [CR]

9.12.2 CR\_SIGNAL Command

Command	"CR_SIGNAL" [CR]	
Details	Get status whether there is any signal or not.	
Response	Acceptable	"000_%1" [CR]
	%1	"ON" ----- There is signal "OFF" ----- There is no signal
	Unacceptable	"Error Code" [CR]

9.12.3 CR\_VMUTE Command

Command	"CR_VMUTE" [CR]	
Details	Get setting status of Video Mute.	
Response	Acceptable	"000_%1" [CR]
	%1	"ON" ----- Set Video Mute (Shutter CLOSE) "OFF" ----- Cancel Video Mute (Shutter OPEN)
	Unacceptable	"Error Code" [CR]

9.12.4 CR\_FREEZE Command

Command	"CR_FREEZE" [CR]	
Details	Get setting status of Freeze.	
Response	Acceptable	"000_%1" [CR]
	%1	"ON" ----- Freeze is enabled "OFF" ----- Freeze is disabled
	Unacceptable	"Error Code" [CR]

9.12.5 CR\_TEMPFAIL Command

Command	"CR_TEMPFAIL" [CR]	
Details	Get the temperature inside a projector when abnormal temperature status occurs. It is possible to get the temperatures all at once when several sensors installed.	
Response	Acceptable	"000_%1_%2_%3" [CR]
	%1,%2,%3	<p>%1 ----- Sensor 1 temp.                  %2 ----- Sensor 2 temp.                  %3 ----- Sensor 3 temp.                  e.g. "_31.5F"                  "_" indicates a space. When the temperature goes under 0, the first character is "-", not a space, as in "-05.5F".                  With more than one temperature sensors installed, projector returns responses in a row.                  e.g. "_31.5F _35.2S _38.0W" [CR]                  The first data indicates sensor 1 data, then one space, and sensor 2 data.                  Last character in each data indicates the sensor's status.                  "F" ----- Exceeding critical temp. (abnormal temp.)                  "W" ----- Approaching critical temp. (Warning temp.)                  "S" ----- Sensor temp. is safe (Safe temp.)                  "N" ----- Sensor detects no critical temp.                  "E" ----- Unable to return the temp. data</p> <p>The example 1 shows that sensor 1 indicates 31.5 degrees and the temperature is abnormal, sensor 2 indicates 35.2 degrees and the temperature is safe, sensor 3 indicates 38.0 degrees and the temperature is approaching critical state.                  When the temperature is safe, all data is represented as "_00.0S".                  When the projector is reset, "_00.0S" is set, and every time abnormal temperature occurs, it renews the data and returns it.                  In short, it only returns the renewed data of the latest abnormal temperature and the previous data is deleted.</p>
	Unacceptable	"Error Code" [CR]

9.12.6 CR\_TEMP Command

Command	"CR_TEMP" [CR]	
Details	Get the current temperature information inside a projector. It is possible to get the temperatures all at once when several sensors installed.	
Response	Acceptable	"000_%1_%2_%3" [CR]
	%1, %2, %3	<p>%1 ----- Sensor 1 temp. (External temp.)                      %2 ----- Sensor 2 temp. (Internal temp.1)                      %3 ----- Sensor 3 temp. (Internal temp.2)                      %1, %2 are fixed 6 characters                      There is one space between %1 and %2                      There is one space between %2 and %3                      e.g. "_ 31.5F"]                      "_" indicates a space. When the temperature goes under 0,                      the first character is "-", not a space, as in "-05.5F".                      Last character in each data indicates the sensor's status.                      "F" ----- Exceeding critical temp. (abnormal temp.)                      "W" ----- Approaching critical temp. (Warning temp.)                      "S" ----- Sensor temp. is safe (Safe temp.)                      "N" ----- Sensor detects no critical temp.                      "E" ----- Unable to return the temp. data</p> <p>With more than one temperature sensors installed, projector returns responses in a row.                      e.g. "_ 31.5F _ 35.2S _ 38.0W " [CR]                      The first data indicates sensor 1 data, then one space, and sensor 2 data.</p> <p>The example 1 shows that sensor 1 indicates 31.5 degrees and the temperature is abnormal, sensor 2 indicates 35.2 degrees and the temperature is safe, sensor 3 indicates 38.0 degrees and the temperature is approaching critical state.                      When it cannot return the temperature data due to hardware error, the last character is "E" as in "_00.0E"                      It might happen for some projectors that the temperature continues to go up to abnormal status as long as lamp ballasts are hot. Therefore when in Standby mode or for several tens of seconds after Power is ON, any treatment of Power Failure is not processed. In that case, the temperature data is represented as "_ - - - - N".</p>
	Unacceptable	"Error Code" [CR]

9.12.7 CR\_SHUTCOND Command

Command	"CR_SHUTCOND" [CR]	
Details	Get setting status of Shutter.	
Response	Acceptable	"000_%1" [CR]
	%1	<p>"SAFE" ----- Shutter operation is normal.                      "FAIL" ----- Shutter operation is abnormal.</p>
	Unacceptable	"Error Code" [CR]

9.12.8 CR\_SERIALNO Command

Command	"CR_SERIALNO" [CR]	
Details	Get value of the serial number.	
Response	Acceptable	"000_%1" [CR]
	%1	Eight digits of alphanumeric characters
	Unacceptable	"Error Code" [CR]