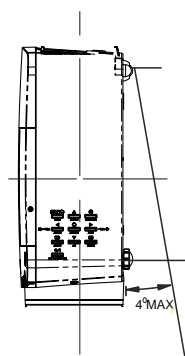
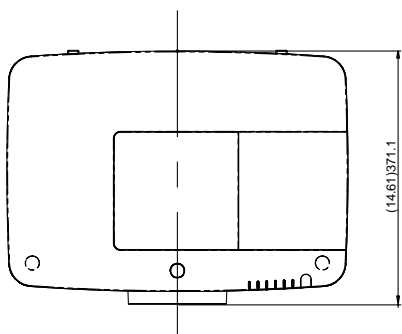
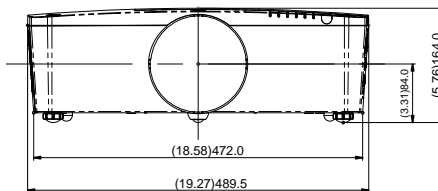
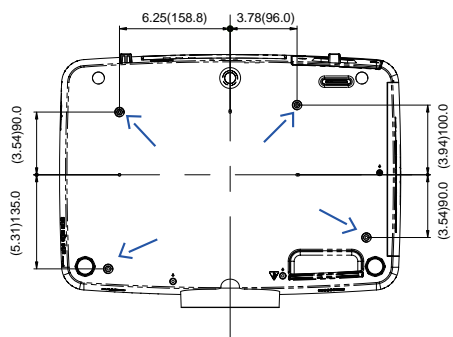


Dimensions

LC-XL100L, LC-XL200L

Unit: inch (mm)

Screw Holes for Ceiling Mount  
Screw: M6  
Depth: 0.393 (10.0)



LC-XL100, LC-XL200

