

EXPAND SERIAL COMMAND
FUNCTIONAL SPECIFICATIONS

EIKI

LC-X800

Ver.1.0

CONTENTS

1. Overview	8
2. Serial Interface Specification	8
2.1 Transfer Specification	8
2.2 Connection	8
3. Notes for communication	9
4. Notation	10
5. Functional Execution Command Table	11
5.1 Image Command Table	11
5.2 PC Control Command Table	11
5.3 Input Control Command Table	12
5.4 Screen Command Table	12
5.5 Lamp Command Table	12
5.6 Setting Command Table	13
5.7 Other Command Table	13
5.8 HD-data-wireless Command Table	13
6. Status Read Command Table	14
6.1 Image Status Read Command Table	14
6.2 PC Status Read Command Table	14
6.3 Video Status Read Command Table	14
6.4 Input Status Read Command Table	15
6.5 Screen Status Read Command Table	15
6.6 Lamp Status Read Command Table	15
6.7 Setting Status Read Command Table	16
6.8 Other Status Read Command Table	16
6.9 HD data wireless Status Read Command Table	16
7. Error Code Table	17
8. Functional Execution Command	18
8.1 Format	18
8.2 Transfer Example	18
8.3 Operation Requirements	18
8.4 Image Command	19
8.4.1 CF_ CONT Command	19
8.4.2 CF_ BRIGHT Command	19
8.4.3 CF_ COLOR Command	19
8.4.4 CF_ TINT Command	19
8.4.5 CF_ COLMNSAV Command	20
8.4.6 CF_ COLMNL D Command	20
8.4.7 CF_ APCTRL Command	20
8.4.8 CF_ COLTEMP Command	20

8.4.9 CF_WBAL- Command	21
8.4.10 CF_OFFSET- Command	21
8.4.11 CF_SHARP Command	21
8.4.12 CF_GAMMA Command	22
8.4.13 CF_NZRED Command	22
8.4.14 CF_PROGV Command	22
8.4.15 CF_IMAGE Command	23
8.4.16 CF_IMAGEADJ Command	23
8.4.17 CF_ADVCOL Command	24
8.5 PC Control Command	25
8.5.1 CF_FSYNC Command	25
8.5.2 CF_TDOTS Command	25
8.5.3 CF_H-POS Command	25
8.5.4 CF_V-POS Command	26
8.5.5 CF_CLAMP Command	26
8.5.6 CF_DDOTS Command	26
8.5.7 CF_DLINE Command	27
8.5.8 CF_SETPCADJ Command	27
8.5.9 CF_ORGMODE Command	27
8.5.10 CF_PCSTORE Command	28
8.5.11 CF_PCMODEFREE Command	28
8.6 Input Control Command	29
8.6.1 CF_INPUT Command	29
8.6.2 CF_SOURCE Command	29
8.6.3 CF_INPUT1~4 Command	29
8.6.4 CF_SYSTEM Command	30
8.7 Screen Control Command	31
8.7.1 CF_SCREEN Command	31
8.7.2 CF_DZCENT Command	31
8.7.3 CF_KEYSTONE Command	32
8.7.4 CF_KEYSTONEMODE Command	32
8.7.5 CF_CEIL Command	32
8.7.6 CF_REAR Command	33
8.7.7 CF_VSCALE Command	33
8.7.8 CF_VPOS Command	33
8.7.9 CF_HSCALE Command	34
8.7.10 CF_HPOS Command	34
8.8 Lamp Command	35
8.8.1 CF_LAMPH Command	35
8.8.2 CF_LAMPMODE Command	35

8.8.3 CF_AUTOLAMPCTRL Command	35
8.9 Setting Command	36
8.9.1 CF_LANG Command	36
8.9.2 CF_DISP Command	36
8.9.3 CF_BACKGND Command	36
8.9.4 CF_LOGO Command	37
8.9.5 CF_FANSPEED Command	37
8.9.6 CF_RCODE Command	37
8.9.7 CF_RSENS Command	38
8.9.8 CF_P-MANE Command	38
8.9.9 CF_P-MANETIME Command	38
8.9.10 CF_ON-STA Command	38
8.9.11 CF_PJPINCODE Command	39
8.9.12 CF_FILH Command	39
8.9.13 CF_FILTIMER Command	39
8.9.14 CF_FILCTL Command	39
8.9.15 CF_FILSCRL Command	40
8.9.16 CF_TESTPAT Command	40
8.9.17 CF_FDEFAULT Command	40
8.9.18 CF_KEYDIS Command	40
8.9.19 CF_SHUTRCPROT Command	41
8.9.20 CF_SHUTKEYPROT Command	41
8.9.21 CF_SHUTH Command	41
8.10 Other Command	41
8.10.1 CF_SHUTTER Command	41
8.11 HD data wireless Command	42
8.11.1 CF_HDWLMODE Command	42
8.11.2 CF_HDWLAUTH Command	42
8.11.3 CF_HDWLINID Command	42
8.11.4 CF_HDWLFDEF Command	42
9. Status Read Command	43
9.1 Format	43
9.2 Transfer Example	43
9.3 Operation condition	43
9.4 Image Status Read Commands	44
9.4.1 CR_CONT Command	44
9.4.2 CR_BRIGHT Command	44
9.4.3 CR_COLOR Command	44
9.4.4 CR_TINT Command	44
9.4.5 CR_APCTRL Command	44

9.4.6 CR_COLTEMP Command	45
9.4.7 CR_WBAL-R Command	45
9.4.8 CR_WBAL-G Command	45
9.4.9 CR_WBAL-B Command	45
9.4.10 CR_OFFSET-R Command	45
9.4.11 CR_OFFSET-G Command	45
9.4.12 CR_OFFSET-B Command	46
9.4.13 CR_SHARP Command	46
9.4.14 CR_GAMMA Command	46
9.4.15 CR_NZRED Command	46
9.4.16 CR_PROGV Command	46
9.4.17 CR_IMAGE Command	47
9.4.18 CR_IMGGMD Command	47
9.4.19 CR_ADVCOL Command	47
9.5 PC Status Read Commands	48
9.5.1 CR_FSYNC Command	48
9.5.2 CR_TDOTS Command	48
9.5.3 CR_H-POS Command	48
9.5.4 CR_V-POS Command	48
9.5.5 CR_CLAMP Command	49
9.5.6 CR_DDOTS Command	49
9.5.7 CR_DLINE Command	49
9.5.8 CR_SETPCADJ Command	50
9.5.9 CR_ORGMODE Command	51
9.5.10 CR_PCSTORE Command	51
9.6 Video Status Read Command	52
9.6.1 CR_SERSYS Command	52
9.7 Input Read Command	52
9.7.1 CR_INPUT Command	52
9.7.2 CR_SOURCE Command	52
9.7.3 CR_SYSTEM Command	53
9.7.4 CR_SRCINP1 Command	54
9.7.5 CR_SRCINP2 Command	54
9.7.6 CR_SRCINP3 Command	54
9.7.7 CR_SRCINP4 Command	54
9.7.8 CR_HMSLOT Command	54
9.7.9 CR_NMSLOT1 Command	55
9.7.10 CR_NMSLOT2 Command	55
9.7.11 CR_NMSLOT3 Command	55
9.7.12 CR_NMSLOT4 Command	55

9.7.13 CR_IDSLOT1 Command	56
9.7.14 CR_IDSLOT2 Command	56
9.7.15 CR_IDSLOT3 Command	56
9.7.16 CR_IDSLOT4 Command	56
9.8 Screen Status Read Commands	57
9.8.1 CR_SCREEN Command	57
9.8.2 CR_KYSTNMODE Command	57
9.8.3 CR_CEIL Command	57
9.8.4 CR_REAR Command	57
9.8.5 CR_VSCALE Command	57
9.8.6 CR_VPOS Command	57
9.8.7 CR_HSCALE Command	58
9.8.8 CR_HPOS Command	58
9.9 Lamp Status Read Commands	59
9.9.1 CR_LAMPREPL Command	59
9.9.2 CR_LAMPMODE Command	59
9.9.3 CR_AUTOLAMPCTRL Command	59
9.9.4 CR_LAMPSTS Command	59
9.9.5 CR_INFLAMP Command	60
9.9.6 CR_PROJH Command	60
9.9.7 CR_HMLAMP Command	60
9.9.8 CR_LAMPH Command	60
9.10 Setting Status Read Commands	61
9.10.1 CR_BACKGND Command	61
9.10.2 CR_DISP Command	61
9.10.3 CR_LOGO Command	61
9.10.4 CR_LOGOLOCK Command	61
9.10.5 CR_RCODE Command	61
9.10.6 CR_RSENS Command	62
9.10.7 CR_LANG Command	62
9.10.8 CR_ON-STA Command	62
9.10.9 CR_P-MANE Command	62
9.10.10 CR_P-MANETIME Command	63
9.10.11 CR_FANSPEED Command	63
9.10.12 CR_KEYDIS Command	63
9.10.13 CR_SHUTRCPROT Command	63
9.10.14 CR_SHUTKEYPROT Command	63
9.10.15 CR_SHUTH Command	64
9.10.16 CR_SECURITY Command	64
9.10.17 CR_PJLOCKNOW Command	64

9.10.18 CR_PJLOCMENU Command.....	64
9.10.19 CR_FILH Command	64
9.10.20 CR_FILCOND Command	65
9.10.21 CR_FILREPL Command	65
9.10.22 CR_FILTIMER Command.....	65
9.10.23 CR_FILREMAIN Command.....	65
9.10.24 CR_TESTPAT Command	66
9.11 Other Status Read Commands	67
9.11.1 CR_STATUS Command.....	67
9.11.2 CR_SIGNAL Command.....	67
9.11.3 CR_VMUTE Command.....	67
9.11.4 CR_FREEZE Command	67
9.11.5 CR_P-TIMER Command.....	68
9.11.6 CR_TEMPWARN Command	68
9.11.7 CR_TEMPFAIL Command.....	69
9.11.8 CR_SERIALNO Command.....	69
9.11.9 CR_SHUTCOND Command.....	69
9.12 HD-wireless Read Commands.....	70
9.12.1 CR_HDWLMODE Command.....	70
9.12.2 CR_HDWLAUTH Command	70
9.12.3 CR_HDWLINID Command	70
9.12.4 CR_HDWLRECEPLV Command.....	70
10. Command with Address Specification	71
10.1. Overview	71
10.2. Functional Execution Command with address	71
10.2.1. Format.....	71
10.2.2. When the command pipelining is needed.....	72
10.3. Status Read Command with Address.....	72
10.3.1. Format.....	72

1. Overview

- This Functional Specification defines communication with Network board for LC-X800.
- Commands are designed to communicate with Network board, but most commands are also available to remote-control a projector through RS-232C from a computer. Therefore, commands are defined as Expand Serial Commands.
- The operation by some commands depends on Optional Board installed in Input Slot of the projector.
- This document assumes that Option Boards are installed.

2. Serial Interface Specification

2.1 Transfer Specification

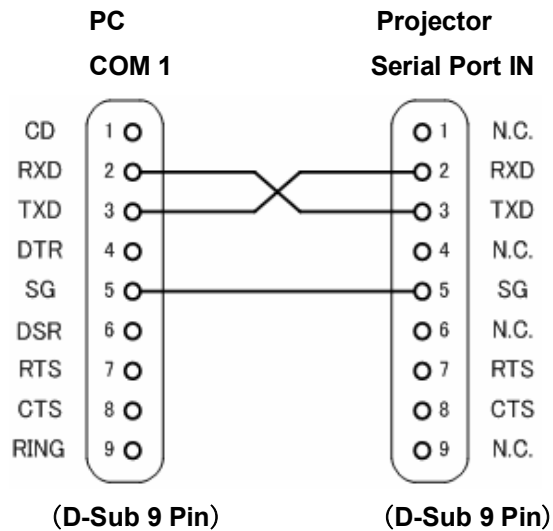
Items	Specification
Synchronous System	Asynchronous
Transmission Speed	9600 / 19200
Data Length	8 bit
Parity	N/A
Stop Bit	1
Flow Control	N/A

1) Transmission Speed: initial setting value is 19200

2) Transmission Speed can be changed in Service Mode

2.2 Connection

Dedicated serial cables that come with a projector must be used for the connection between a computer and the projector.

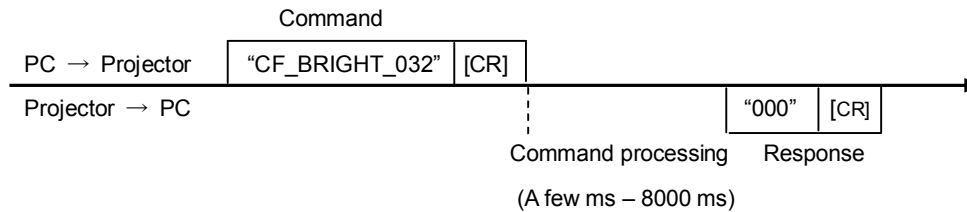


Connect COM port of the computer to SERIAL PORT IN of the projector.

COM Port (COM1 or COM2) of a computer is specified by control software of the computer.

3. Notes for communication

- Expand Serial Command is defined as a single command per line that starts with “C” and ends with carriage return (0x0D).
- When a projector receives carriage return (0x0D), it starts decoding.
- There are two types of commands as below:
 - Example of Functional Execution Command: “CF_BRIGHT_032” [CR]
 - Example of Status Read Command: “CR_BRIGHT” [CR]
 - Note) “_” indicates a space
- It clears the information of buffer in the following cases:
 - when the projector receives LF (0x0A) or EOF (0x1A).
 - when it takes more than one second to receive a single command
 - (Until receiving the carriage return after the reception of the first data)
- The projector processes the command and returns the response within a few ms to 8000 ms after the reception of the command. When several commands are sent in succession, do not send another command unless the response to the previous command has been returned. Need to confirm that the processing of the current command has been completed and returned the response before sending another command.



Note) when the computer sends another command before the previous response has been returned, the projector may not operate properly.

Note) when the current command processing has not completed, another command process can not be accepted by the projector

- Normally it is less than 1000ms for the completion of receiving a command and returning the response, but it takes more than 1000ms for some Functional Execution Commands as listed below:

Command	Item
CF_IMAGE	Select Image Mode
CF_INPUT	Select Input
CF_SCREEN	Select Screen Size
CF_SYSTEM	Select System
CF_INPUT1	Select Input 1 and Signal (concurrent execution)
CF_INPUT2	Select Input 2 and Signal (concurrent execution)
CF_INPUT3	Select Input 3 and Signal (concurrent execution)
CF_INPUT4	Select Input 4 and Signal (concurrent execution)
CF_IMAGEADJ	Reset/Store for Image Adjustment

- It takes about 8 seconds for internal initialization after plugging in AC power. During this time it cannot process commands. Do not issue any command.

4. Notation

- Data from a controller to a projector is represented as COMMAND, and data from a projector to a controller in response to the incoming command is represented as RESPONSE.
- [CR]: Carriage Return Code
The command ends with carriage return code.
The response also ends with carriage return code.
- _ : Space Code
All space code is indicated by (_).
- %1: Parameter included in command
When there is more than one parameter, they are represented as %2, %3...

5. Functional Execution Command Table

5.1 Image Command Table

Execute command	Item
CF_CONT_%1[CR]	Set value of Contrast
CF_BRIGHT_%1[CR]	Set value of Brightness
CF_COLOR_%1[CR]	Set value of Color
CF_TINT_%1[CR]	Set value of Tint
CF_COLMNSAV_%1[CR]	Set area to store current values of Color Management
CF_COLMNLD_%1[CR]	Set area to load values of Color Management
CF_APCTRL_%1[CR]	Set level of Auto Picture Control
CF_COLTEMP_%1[CR]	Set level of Color Temperature
CF_WBAL-R_%1[CR]	Set Red value of White Balance
CF_WBAL-G_%1[CR]	Set Green value of White Balance
CF_WBAL-B_%1[CR]	Set Blue value of White Balance
CF_OFFSET-R_%1 [CR]	Set Red value of Offset
CF_OFFSET-G_%1 [CR]	Set Green value of Offset
CF_OFFSET-B_%1 [CR]	Set Blue value of Offset
CF_SHARP_%1[CR]	Set value of Sharpness
CF_GAMMA_%1[CR]	Set value of Gamma
CF_NZRED_%1[CR]	Set ON/OFF of Noise reduction
CF_PROGV_%1[CR]	Set mode of Progressive scan
CF_IMAGE_%1[CR]	Set Image mode
CF_IMAGEADJ_%1[CR]	Set Store/Reset of values in Image Adjustment
CF_ADVCOL_%1[CR]	Set mode of Advanced color setting

5.2 PC Control Command Table

Execute command	Item
CF_FSYNC_%1[CR]	Set value of Fine Sync
CF_TDOTS_%1[CR]	Set value of Total Dots
CF_CLAMP_%1[CR]	Set value of Clamp
CF_H-POS_%1[CR]	Set value of Horizontal Position
CF_V-POS_%1[CR]	Set value of Vertical Position
CF_DDOTS_%1[CR]	Set value of Display Dots
CF_DLINE_%1[CR]	Set value of Display Line
CF_SETPCADJ_%1[CR]	Apply values set in PC Adjust menu to screen image
CF_ORGMODE_%1[CR]	Specify the original signal for the selected PC mode
CF_PCSTORE_%1[CR]	Store current setting values in PC Adjust menu to Mode %1
CF_PCMODEFREE_%1 [CR]	Delete the values registered in Mode %1 and return it to Free status.

5.3 Input Control Command Table

Execute command	Item
CF_INPUT_%1[CR]	Select Input
CF_SOURCE_%1[CR]	Select Source of selected Input
CF_INPUT1_%1[CR]	Select Input1 and also set input source to %1
CF_INPUT2_%1[CR]	Select Input2 and also set input source to %1
CF_INPUT3_%1[CR]	Select Input3 and also set input source to %1
CF_INPUT4_%1[CR]	Select Input4 and also set input source to %1
CF_SYSTEM_%1[CR]	Select System in Video input mode

5.4 Screen Command Table

Execute command	Item
CF_SCREEN_%1[CR]	Select Screen size
CF_DZCENT_%1[CR]	Cancel Digital Zoom mode
CF_KEystone_%1[CR]	Set Keystone correction
CF_KYSTNMODE_%1 [CR]	Set Keystone store mode
CF_CEIL_%1[CR]	Set ON/OFF of Ceiling
CF_REAR_%1[CR]	Set ON/OFF of Rear
CF_VSCALE_%1[CR]	Set V Scale
CF_VPOS_%1[CR]	Set V Position
CF_HSCALE_%1[CR]	Set H Scale
CF_HPOS_%1[CR]	Set H Position

5.5 Lamp Command Table

Execute command	Item
CF_LAMPH_%1[CR]	Reset total running time for each lamp
CF_LAMPMODE_%1[CR]	Select lamp mode (Full/Half)
CF_AUTOLAMPCTRL_%1[CR]	Switch dimmer function levels of Normal/Auto/Eco

5.6 Setting Command Table

Execute command	Item
CF_LANG_%1[CR]	Select language for OSD
CF_DISP_%1[CR]	Set ON/OFF of On Screen Display
CF_BACKGND_%1[CR]	Select screen for no signal
CF_LOGO_%1[CR]	Set ON/OFF of Logo
CF_FANSPEED_%1[CR]	Select Fan Speed
CF_RCODE_%1[CR]	Select Remote Control Code
CF_RSENS_%1[CR]	Select location of infrared remote receiver of remote control
CF_P-MANE_%1[CR]	Set ON/OFF of Power Management
CF_P-MANETIME_%1[CR]	Set time of Power Management
CF_ON-STA_%1[CR]	Set ON/OFF of Power ON Start
CF_PJPINCODE_%1[CR]	Enter PJ PIN code to cancel PJ lock
CF_FILH_%1[CR]	Reset Filter used time
CF_FILTIMER_%1[CR]	Set time to display Filter cleaning / replacement warning on screen
CF_FILCTL_%1[CR]	Execute operation of scroll of filter
CF_FILSCRL_%1[CR]	Reset Filter scroll counter
CF_TESTPAT_%1[CR]	Set Test pattern display function
CF_KEYDIS_%1[CR]	Set limitation of RC/KEY control
CF_FDEFAULT_%1[CR]	Return the settings to Factory Default status
CF_SHUTRCPROT_%1[CR]	Set valid / invalid of RC use on Shutter control function
CF_SHUTKEYPROT_%1[CR]	Set valid / invalid use of key on the top panel on Shutter control function
CF_SHUTH_%1[CR]	Set time of operating shutter management function

5.7 Other Command Table

Execute command	Item
CF_SHUTTER_%1[CR]	Control OPEN / CLOSE of Shutter

5.8 HD-data-wireless Command Table

Execute command	Item
CF_HDWLMODE_%1[CR]	Set communication mode with a radio transmitter
CF_HDWLAUTH_%1[CR]	Perform/ cancel the authentication between projector and radio transmitter
CF_HDWLINID_%1[CR]	Set the Input ID of the transmitters
CF_HDWLDEF_%1[CR]	Return the settings to Factory Default status of HD data wireless setting

6. Status Read Command Table

6.1 Image Status Read Command Table

Status read command	Item
CR_CONT [CR]	Get value of Contrast
CR_BRIGHT [CR]	Get value of Brightness
CR_COLOR [CR]	Get value of Color
CR_TINT [CR]	Get value of Tint
CR_APCTRL	Get setting status of Auto Picture Control
CR_COLTEMP	Get value of Color temperature
CR_WBAL-R [CR]	Get Red value of White Balance
CR_WBAL-G [CR]	Get Green value of White Balance
CR_WBAL-B [CR]	Get Blue value of White Balance
CR_OFFSET-R [CR]	Get Offset Red
CR_OFFSET-G [CR]	Get Offset Green
CR_OFFSET-B [CR]	Get Offset Blue
CR_SHARP [CR]	Get value of Sharpness
CR_GAMMA [CR]	Get value of Gamma
CR_NZRED [CR]	Get setting status of Noise reduction
CR_PROGV [CR]	Get setting status of Progressive scan
CR_IMAGE [CR]	Get Selected Image status
CR_IMGGMD [CR]	Get setting value of Image Gamma
CR_ADVCOL [CR]	Get setting status of Advanced color

6.2 PC Status Read Command Table

Status read command	Item
CR_FSYNC [CR]	Get setting value of Fine Sync
CR_TDOTS [CR]	Get setting value of Total Dots
CR_CLAMP [CR]	Get setting value of Clamp
CR_H-POS [CR]	Get setting value of Horizontal Position
CR_V-POS [CR]	Get setting value of Vertical Position
CR_DDOTS [CR]	Get setting value of Display Dots
CR_DLINE [CR]	Get setting value of Display Line
CR_SETPCADJ [CR]	Get currently displayed signal
CR_ORGMODE [CR]	Get the original signal of the mode adjusted in PC Adj.
CR_PCSTORE [CR]	Get Free or Stored status for PC Adj. Mode 1-10

6.3 Video Status Read Command Table

Status read command	Item
CR_SERSYS [CR]	Get currently selected signal. In Auto mode, it returns a result by Auto detection.

6.4 Input Status Read Command Table

Status read command	Item
CR_INPUT [CR]	Get selected Input
CR_SOURCE [CR]	Get selected Source
CR_SYSTEM [CR]	Get selected System in Video Input mode
CR_SRCINP1 [CR]	Get selected source for Input 1
CR_SRCINP2 [CR]	Get selected source for Input 2
CR_SRCINP3 [CR]	Get selected source for Input 3
CR_SRCINP4 [CR]	Get selected source for Input 4
CR_HMSLOT [CR]	Get the total number of Slots
CR_NMSLOT1 [CR]	Get a card name inserted to Slot 1
CR_NMSLOT2 [CR]	Get a card name inserted to Slott2
CR_NMSLOT3 [CR]	Get a card name inserted to Slot 3
CR_NMSLOT4 [CR]	Get a card name inserted to Slot 4
CR_IDSLOT1 [CR]	Get ID information of Slot 1
CR_IDSLOT2 [CR]	Get ID information of Slot 2
CR_IDSLOT3 [CR]	Get ID information of Slot 3
CR_IDSLOT4 [CR]	Get ID information of Slot 4

6.5 Screen Status Read Command Table

Status read command	Item
CR_SCREEN [CR]	Get selected screen size
CR_KYSTNMODE[CR]	Get selected Keystone store mode
CR_CEIL[CR]	Get selected ON/OFF of Ceiling
CR_REAR[CR]	Get selected ON/OFF of Rear
CR_VSCALE[CR]	Get setting status of V Scale
CR_VPOS[CR]	Get setting status of V Position
CR_HSCALE[CR]	Get setting status of H Scale
CR_HPOS[CR]	Get setting status of H Position

6.6 Lamp Status Read Command Table

Status read command	Item
CR_LAMPREPL [CR]	Get information on Lamp replacement time
CR_LAMPMODE [CR]	Get selected Lamp mode
CR_AUTOLAMPCONTROL[CR]	Get setting status of dimmer function level.
CR_LAMPSTS [CR]	Get Lamp lighting status
CR_INFLAMP [CR]	Get Lamp switching status
CR_PROJH [CR]	Get the projector total running time
CR_HMLAMP [CR]	Get the total number of lamps
CR_LAMPH [CR]	Get information of actual Lamp running time

6.7 Setting Status Read Command Table

Status read command	Item
CR_LANG [CR]	Get selected language
CR_DISP [CR]	Get setting status of Display
CR_BACKGND [CR]	Get setting status of Screen for no signal
CR_LOGO [CR]	Get setting status of Logo
CR_LOGOLOCK [CR]	Get setting status of Logo Lock
CR_FANSPEED [CR]	Get selected Fan Control Speed
CR_RCODE [CR]	Get selected Remote Control Code
CR_RSENS [CR]	Get selected location of infrared remote receiver of remote control
CR_P-MANE [CR]	Get setting status of Power management
CR_P-MANETIME [CR]	Get setting time for Power Management
CR_ON-STA [CR]	Get setting status of ON Start
CR_SECURITY [CR]	Get setting status of Security
CR_PJLOCKNOW [CR]	Get setting status of current PJ Lock
CR_PJLOCKMENU [CR]	Get PJ Lock setting status on the menu
CR_FILH[CR]	Get Filter used time
CR_FILCOND[CR]	Get status of filter clog
CR_FILREPL[CR]	Get status of Filter cleaning / replacement time
CR_FILTIMER[CR]	Get time to display Filter cleaning / replacement warning on screen
CR_FILREMAIN[CR]	Get remaining number of usable Filter scroll
CR_TESTPAT[CR]	Get setting status of Test pattern
CR_KEYDIS [CR]	Get setting status of RC/KEY control limitation
CR_SHUTRCPROT[CR]	Get remote controller disability status of the shutter
CR_SHUTKEYPROT[CR]	Get Key controller disability state of the shutter
CR_SHUTH[CR]	Get time setting to begin the shutter management

6.8 Other Status Read Command Table

Status read command	Item
CR_STATUS [CR]	Get operation state of the projector
CR_SIGNAL [CR]	Get status of signal existence
CR_VMUTE [CR]	Get setting status of Video mute
CR_FREEZE [CR]	Get setting status of Freeze
CR_PTIMER [CR]	Get operating status of P-Timer
CR_TEMPWARN [CR]	Get temperature status whether it is close to abnormal level or not
CR_TEMPFAIL [CR]	Get temperature in abnormal temperature status
CR_SERIALNO [CR]	Get value of Serial number
CR_SHUTCOND [CR]	Get setting status of Shutter

6.9 HD data wireless Status Read Command Table

Status read command	Item
CR_HDWLMODE [CR]	Get communication mode with a radio transmitter.
CR_HDWLAUTH [CR]	Get status of the authentication between projector and radio transmitter
CR_HDWLINID [CR]	Get the ID of the transmitter
CR_HDWLRECEPLV [CR]	Get status of the reception level of a radio beam

7. Error Code Table

Error Code	Contents
?	-When the received data cannot be decoded -Parameter designation error (wrong digit number, including invalid value, etc.)
000	Normal reception (This is "Not" error)
101	Specified function is not available in the selected mode
102	Specified value is out of range (Not reflected)
103	Command mismatched to Hardware (the command is for Optional function which is not implemented)
201	Incremented or decremented value or values are beyond upper or lower limits.
301	Not executable due to screen capturing in process. Prompting reissue of the command after a while.
402	Not executable due to PIN code in operation. Prompting reissue of the command after a while.

8. Functional Execution Command

8.1 Format

1) PC issues a command in the format below:

Pattern1: "CF_ Command" [CR]

Pattern2: "CF_ Command_" %1 [CR]

CF_: Header

Command: String

%1: Parameter (String)

_: Space (To separate Command and Parameter)

2) The projector decodes the received command and when it gets ready to receive another command, it returns the response.

"000" [CR]: (0x06, 0x0D) When receiving Functional Execution Command

"nnn" [CR]: Except "000", when it cannot execute commands for any specific reason.

For detail, refer to [7. Error Code Table]

"?" [CR]: When the received data cannot be decoded

8.2 Transfer Example

When setting projector's total dots to 1344 by Expand Command.

PC → PJ: "CF_TDOTS_1344" [CR]

PC ← PJ: "000" [CR] ----- Acceptable

8.3 Operation Requirements

When the projector status is in the status below, Functional Execution Commands are limited
(Status Read Commands are available in following status)

Projector Status	Available Functional Execution Command
In Standby Mode	C00: POWER ON
Count Down in process	C00: POWER ON (Countdown is terminated)
Cooling Down in process	NONE (No Execution)
Cooling Down in process due to abnormal temperature	NONE (No Execution)
In Abnormal Temperature	NONE (No Execution)
Power Failure (60 seconds after Power failed)	NONE (No Execution)
Power Saving Cooling Down in process	NONE (No Execution)
In Power Saving status	C00: POWER ON C01: POWER OFF

Note) An appropriate error code is returned when the projector receives other command in the above status.

8.4 Image Command

8.4.1 CF_CONT Command

Command	"CF_CONT_%1" [CR]	
%1	"000-063"----- Directly specify setting value of Contrast "UP"----- Increment setting value of Contrast by 1 "DN"----- Decrement setting value of Contrast by 1	
Details	Set user controlled value of Contrast. (Available only in the normal Power ON status) The value set by this command is not stored in the projector. Therefore, when the power is turned to ALL OFF status, the value returns to the original setting. (It is stored in Suspend mode.)	
Response	Acceptable	"000" [CR]
	Unacceptable	"Error Code" [CR]

8.4.2 CF_BRIGHT Command

Command	"CF_BRIGHT_%1" [CR]	
%1	"000-063" ----- Directly specify setting value of Brightness "UP" ----- Increment setting value of Brightness by 1 "DN" ----- Decrement setting value of Brightness by 1	
Details	Set user controlled value of Brightness. (Available only in the normal Power ON status) The value set by this command is not stored in the projector's memory. Therefore, when the power is turned to ALL OFF status, the value returns to the original setting. (It is stored in Suspend mode.)	
Response	Acceptable	"000" [CR]
	Unacceptable	"Error Code" [CR]

8.4.3 CF_COLOR Command

Command	"CF_COLOR_%1" [CR]	
%1	"000-063"----- Directly specify setting value of Color "UP"----- Increment setting value of Color by 1 "DN"----- Decrement setting value of Color by 1	
Details	Set user controlled value of Color. (Available only in the normal Power ON status) The value set by this command is not stored in the projector's memory. Therefore, when the power is turned to ALL OFF status, the value returns to the original setting. (It is stored in Suspend mode.)	
Response	Acceptable	"000" [CR]
	Unacceptable	"Error Code" [CR]

8.4.4 CF_TINT Command

Command	"CF_TINT_%1" [CR]	
%1	"000-063"----- Directly specify setting value of Tint "UP"----- Increment setting value of Tint by 1 "DN"----- Decrement setting value of Tint by 1	
Details	Set user controlled value of Tint (Available only in the normal Power ON status) The value set by this command is not stored in the projector's memory. Therefore, when the power is turned to ALL OFF status, the value returns to the original setting. (It is stored in Suspend mode.)	
Response	Acceptable	"000" [CR]
	Unacceptable	"Error Code" [CR]

8.4.5 CF_COLMNSAV Command

Command	"CF_COLMNSAV_%1" [CR]	
%1	"000 – 009" ----- Specify the area to store	
Details	Store current setting status of Color Management to the area specified in %1. (Available only in the normal Power ON status)	
Response	Acceptable	"000" [CR]
	Unacceptable	"Error Code" [CR]

8.4.6 CF_COLMNL D Command

Command	"CF_COLMNL D_%1" [CR]	
%1	"000 – 009" ----- Specify the area to store	
Details	Retrieve Color Management setting status from the area specified in %1. (Available only in the normal Power ON status)	
Response	Acceptable	"000" [CR]
	Unacceptable	"Error Code" [CR]

8.4.7 CF_APCTRL Command

Command	"CF_APCTRL_%1" [CR]	
%1	"L1" ----- Set Auto Picture Control to Level 1. "L2" ----- Set Auto Picture Control to Level 2. "OFF" ----- Set Auto Picture Control OFF. "UP" ----- Switch setting forward direction (OFF→L1→L2→OFF) "DN" ----- Switch setting backward direction (OFF→L2→L1→OFF)	
Details	Set Auto Picture Control (Available only in the normal Power ON status) The value set by this command is not stored in the projector's memory. Therefore, when the power is turned to ALL OFF status, the value returns to the original setting. (It is stored in Suspend mode.)	
Response	Acceptable	"000" [CR]
	Unacceptable	"Error Code" [CR]

8.4.8 CF_COLTEMP Command

Command	"CF_COLTEMP_%1" [CR]	
%1	"000" – "003"	
Details	Set Color Temperature (Available only in the normal Power ON status) The value set by this command is not stored in the projector's memory. Therefore, when the power is turned to ALL OFF status, the value returns to the original setting. (It is stored in Suspend mode.)	
Response	Acceptable	"000" [CR]
	Unacceptable	"Error Code" [CR]

8.4.9 CF_WBAL- Command

Command	"CF_WBAL-%1_%2" [CR]	
%1	"R" ----- RED "G" ----- GREEN "B" ----- BLUE	
%2	"000-063"----- Directly specify value of Color selected in %1 of White Balance. "UP"----- Increment setting value of Color specified in %1 of White Balance by 1 "DN"----- Decrement setting value of Color specified in %1 of White Balance by 1	
Details	Set value of Color specified in %1 of White Balance (Available only in the normal Power ON status) The value set by this command is not stored in the projector's memory. Therefore, when the power is turned to ALL OFF status, the value returns to the original setting. (It is stored in Suspend mode.)	
Response	Acceptable	"000" [CR]
	Unacceptable	"Error Code" [CR]

8.4.10 CF_OFFSET- Command

Command	"CF_OFFSET-%1_%2" [CR]	
%1	"R" ----- RED "G" ----- GREEN "B" ----- BLUE	
%2	"000-063"----- Directly specify value of Color selected in %1 of Offset. "UP"----- Increment setting value of Color specified in %1 of Offset by 1 "DN"----- Decrement setting value of Color specified in %1 of Offset by 1	
Details	Set value of Color specified in %1 of Offset (Available only in the normal Power ON status) The value set by this command will not be stored in the projector's memory. Therefore, when the power is turned to ALL OFF status, the value returns to the original setting. (It is stored in Suspend mode.)	
Response	Acceptable	"000" [CR]
	Unacceptable	"Error Code"[CR]

8.4.11 CF_SHARP Command

Command	"CF_SHARP_%1" [CR]	
%1	"000-031" ----- Directly specify setting value of Sharpness. "UP"----- Increment setting value of Sharpness by 1 "DN"----- Decrement setting value of Sharpness by 1	
Details	Set user controlled value of Sharpness. (Available only in the normal Power ON status) The value set by this command is not stored in the projector's memory. Therefore, when the power is turned to ALL OFF status, the value returns to the original setting. (It is stored in Suspend mode.)	
Response	Acceptable	"000" [CR]
	Unacceptable	"Error Code" [CR]

8.4.12 CF_GAMMA Command

Command	"CF_GAMMA_%1" [CR]	
%1	"000-015" ----- Directly specify setting value of Gamma "UP"----- Increment setting value of Gamma by 1 "DN"----- Decrement setting value of Gamma by 1	
Details	Set user controlled value of Gamma. (Available only in the normal Power ON status) The value set by this command is not stored in the projector's memory. Therefore, when the power is turned to ALL OFF status, the value returns to the original setting. (It is stored in Suspend mode.)	
Response	Acceptable	"000" [CR]
	Unacceptable	"Error Code" [CR]

8.4.13 CF_NZRED Command

Command	"CF_NZRED_%1" [CR]	
%1	"ON" ----- Set Noise Reduction to ON "OFF" ----- Set Noise Reduction to OFF	
Details	Set or Cancel Noise Reduction. (Available only in the normal Power ON status) The value set by this command is not stored in the projector's memory. Therefore, when the power is turned to ALL OFF status, the value returns to the original setting. (It is stored in Suspend mode.)	
Response	Acceptable	"000" [CR]
	Unacceptable	"Error Code" [CR]

8.4.14 CF_PROGV Command

Command	"CF_PROGV_%1" [CR]	
%1	"ON" ----- Set Progressive scan to ON "FILM" ----- Set Progressive scan to Film mode "OFF" ----- Set Progressive scan to OFF	
Details	Set or Cancel Progressive scan. (Valid only when it is in the normal Power ON status.) The value set by this command is not stored in the projector's memory. Therefore, when the power is turned to ALL OFF status, the value returns to the original setting. (It is stored in Suspend mode.)	
Response	Acceptable	"000" [CR]
	Unacceptable	"Error Code" [CR]

8.4.15 CF_IMAGE Command

Command	"CF_IMAGE_%1" [CR]	
%1	"STAND" ----- Standard (Image adjustment value is set to factory default) "REAL" ----- Real (Fixed value to display graphic image with natural tone) "CINEMA" ----- Cinema (Fixed value to focus on tone reproduction for movie) "CUSTOM1" ----- Image1 (values adjusted and stored by user) "CUSTOM2" ----- Image2 (values adjusted and stored by user) "CUSTOM3" ----- Image3 (values adjusted and stored by user) "CUSTOM4" ----- Image4 (values adjusted and stored by user) "CUSTOM5" ----- Image5 (values adjusted and stored by user) "CUSTOM6" ----- Image6 (values adjusted and stored by user) "CUSTOM7" ----- Image7 (values adjusted and stored by user) "CUSTOM8" ----- Image8 (values adjusted and stored by user) "CUSTOM9" ----- Image9 (values adjusted and stored by user) "CUSTOM10" ----- Image10 (values adjusted and stored by user)	
Details	Select Image mode. (Valid only when it is in the normal Power ON status.) Parameter "CUSTOM1" to "CUSTOM10" corresponds to "Image1" to "Image10" displayed in projector OSD menu on selecting Image. The value set by this command is stored in EEPROM so that the setting can remain effective even after the power is turned to ALL OFF status.	
Response	Acceptable	"000" [CR]
	Unacceptable	"Error Code" [CR]

8.4.16 CF_IMAGEADJ Command

Command	"CF_IMAGEADJ_%1" [CR]	
%1	"RST"----- Reset adjusted value for the Image "STR1"---- Store current adjusted value to Image 1 "STR2"---- Store current adjusted value to Image 2 "STR3"---- Store current adjusted value to Image 3 "STR4"---- Store current adjusted value to Image 4 "STR5"---- Store current adjusted value to Image 5 "STR6"---- Store current adjusted value to Image 6 "STR7"---- Store current adjusted value to Image 7 "STR8"---- Store current adjusted value to Image 8 "STR9"---- Store current adjusted value to Image 9 "STR10"--- Store current adjusted value to Image 10	
Details	Reset or Store adjusted value for Image. (Available only in the normal Power ON status) "STR1"- "STR10" corresponds to "Image1"- "Image10" displayed in projector OSD menu on selecting "Store" for adjusted value of Image. The setting value set in "Image1" to "Image10" is stored and can be retrieved when turning on the projector again after the power is turned to ALL OFF status.	
Response	Acceptable	"000" [CR]
	Unacceptable	"Error Code" [CR]

8.4.17 CF_ADVCOL Command

Command	"CF_ADVCOL_%1" [CR]	
%1	"AUTO" ----- Set Advanced color to Auto "OFF" ----- Set Advanced color OFF. "UP" ----- Switch setting forward direction (OFF→Auto→OFF→Auto) "DN" ----- Switch setting backward direction (OFF→Auto→OFF→Auto) *"UP" and "DN" are exactly same operation.	
Details	Set Advanced color mode (Available only in the normal Power ON status) The value set by this command is not stored in the projector's memory. Therefore, when the power is turned to ALL OFF status, the value returns to the original setting. (It is stored in Suspend mode.)	
Response	Acceptable	"000" [CR]
	Unacceptable	"Error Code" [CR]

8.5 PC Control Command

8.5.1 CF_FSYNC Command

Command	"CF_FSYNC_%1" [CR]	
%1	"0000-0031" ----- Directly specify setting value of Fine Sync "UP" ----- Increment setting value of Fine Sync by 1 "DN" ----- Decrement setting value of Fine Sync by 1	
Details	Set value of Fine Sync in PC signal (Available only in the normal Power ON status) The value set by this command is not stored in the projector's memory. Therefore, when the power is turned to ALL OFF status, the value returns to the original setting. (It is stored in Suspend mode.)	
Response	Acceptable	"000" [CR]
	Unacceptable	"101" [CR] --- When input is Video signal --- When input is no signal

8.5.2 CF_TDOTS Command

Command	"CF_TDOTS_%1" [CR]	
%1	"mmmm – nnnn" ----- Directly specify setting value of Total Dots "mmmm" indicates minimum value, which is current (Display Area H + Position H) value "nnnn" indicates maximum value, that dot clock does not exceed more than 140MHz. "UP" ----- Increment setting value of Total Dots by 1 "DN" ----- Decrement setting value of Total Dots by 1	
Details	Set value of Total Dots in PC signal (Available only in the normal Power ON status) The value set by this command is not stored in the projector's memory. Therefore, when the power is turned to ALL OFF status, the value returns to the original setting. (It is stored in Suspend mode.)	
Response	Acceptable	"000" [CR]
	Unacceptable	"101" [CR] --- When input is Video signal --- When input is no signal

8.5.3 CF_H-POS Command

Command	"CF_H-POS_%1" [CR]	
%1	"0000-nnnn" ----- Directly specify setting value of Horizontal Position "nnnn" indicates maximum value, which is current value of (Total Dots – Display Area H) "UP" ----- Increment setting value of Horizontal Position by 1 "DN" ----- Decrement setting value of Horizontal Position by 1	
Details	Set value of Horizontal Position in PC signal (Available only in the normal Power ON status) The value set by this command is not stored in the projector's memory. Therefore, when the power is turned to ALL OFF status, the value returns to the original setting. (It is stored in Suspend mode.)	
Response	Acceptable	"000" [CR]
	Unacceptable	"101" [CR] --- When input is Video signal --- When input is no signal

8.5.4 CF_V-POS Command

Command	"CF_V-POS_%1" [CR]	
%1	"0000-nnnn" ----- Directly specify setting value of Vertical Position "nnnn" indicates maximum value, which is current (Total Line – Display Area V) value "UP" ----- Increment setting value of Vertical Position by 1 "DN" ----- Decrement setting value of Vertical Position by 1	
Details	Set Vertical Position value in PC signal (Available only in the normal Power ON status) The value set by this command is not stored in the projector's memory. Therefore, when the power is turned to ALL OFF status, the value returns to the original setting. (It is stored in Suspend mode.)	
Response	Acceptable	"000" [CR]
	Unacceptable	"101" [CR] --- When input is Video signal --- When input is no signal

8.5.5 CF_CLAMP Command

Command	"CF_CLAMP_%1" [CR]	
%1	"0000-4095" ----- Directly specify setting value of Clamp "UP" ----- Increment setting value of Clamp by 1 "DN" ----- Decrement setting value of Clamp by 1	
Details	Set Clamp value in PC signal. (Available only in the normal Power ON status) The value set by this command will not be stored in the projector's memory. Therefore, when the power is turned to ALL OFF status, the value returns to the original setting. (It is stored in Suspend mode.)	
Response	Acceptable	"000" [CR]
	Unacceptable	"101" [CR] --- When input is Video signal --- When input is no signal

8.5.6 CF_DDOTS Command

Command	"CF_DDOTS_%1" [CR]	
%1	"0256-nnnn" ----- Directly specify setting value of Display Dots "nnnn" indicates maximum value, which is current value of (Total Dots - Position H). In this projector, the value should be "even number" and if "odd number" is specified, it adds 1 to make the value even number. "UP" ----- Increment setting value of Display Dots by 2 "DN" ----- Decrement setting value of Display Dots by 2	
Details	Set Display Dots value in PC signal. (Available only in the normal Power ON status) The value set by this command is not stored in the projector's memory. Therefore, when the power is turned to ALL OFF status, the value returns to the original setting. (It is stored in Suspend mode.)	
Response	Acceptable	"000" [CR]
	Unacceptable	"101" [CR] --- When input is Video signal --- When input is no signal

8.5.10 CF_PCSTORE_%1 Command

Command	"CF_PCSTORE_%1" [CR]	
%1	"MODE1" ----- Store current PC Adjust status to Mode1 "MODE2" ----- Store current PC Adjust status to Mode2 "MODE3" ----- Store current PC Adjust status to Mode3 "MODE4" ----- Store current PC Adjust status to Mode4 "MODE5" ----- Store current PC Adjust status to Mode5 "MODE6" ----- Store current PC Adjust status to Mode6 "MODE7" ----- Store current PC Adjust status to Mode7 "MODE8" ----- Store current PC Adjust status to Mode8 "MODE9" ----- Store current PC Adjust status to Mode9 "MODE10" ----- Store current PC Adjust status to Mode10	
Details	Store current value of PC Adjust (each parameter status such as Total dots) to Mode1-10. This command operates the same way as storing to Mode1-10 in PC Adjust Menu. (Available only in the normal Power ON status)	
Response	Acceptable	"000" [CR]
	Unacceptable	"101" [CR] --- When input is Video signal --- When input is no signal

8.5.11 CF_PCMODEFREE_%1 Command

Command	"CF_PCMODEFREE_%1" [CR]	
%1	"MODE1" ----- Set Mode1 to Free status "MODE 2" ----- Set Mode2 to Free status "MODE 3" ----- Set Mode3 to Free status "MODE 4" ----- Set Mode4 to Free status "MODE 5" ----- Set Mode5 to Free status "MODE 6" ----- Set Mode6 to Free status "MODE 7" ----- Set Mode7 to Free status "MODE 8" ----- Set Mode8 to Free status "MODE 9" ----- Set Mode9 to Free status "MODE 10" ----- Set Mode10 to Free status	
Details	Delete the data registered in Custom Mode1–10 and returns it to Free status. This command operates the same way as storing to Mode1-10 in PC Adjust Menu. (Available only in the normal Power ON status)	
Response	Acceptable	"000" [CR]
	Unacceptable	"101" [CR] --- When input is Video signal --- When input is no signal

8.6 Input Control Command

8.6.1 CF_INPUT Command

Command	"CF_INPUT_%1" [CR]	
%1	"1" ----- Select Input 1 "2" ----- Select Input 2 "3" ----- Select Input 3 "4" ----- Select Input 4 "UP"----- Increment Input No. by 1 "DN"----- Decrement Input No. by 1	
Details	Select Input (Only valid when it is in the normal Power ON status.) This command works the same way as "INPUT" button of the projector and remote control.	
Response	Acceptable	"000" [CR]
	Unacceptable	"Error Code" [CR]

8.6.2 CF_SOURCE Command

Command	"CF_SOURCE_%1" [CR]	
%1	"DIGITAL" ----- Select DVI Input "ANALOG" ----- Select Analog Input "VIDEO" ----- Select Composite Video Input "S-VIDEO" ----- Select S-Video input "YPBPR" ----- Select Y/Pb/Pr Input "YCBCR" ----- Select Y/Cb/Cr Input "SDI1" ----- Select SDI 1 Input "SDI2" ----- Select SDI 2 Input "SCART" ----- Select SCART Input "HDCP" ----- Select HDCP Input "HDWL" ----- Select HD data wireless Input	
Details	Select source of the currently selected Input. (Valid only when in the normal Power ON status.) When selected Input does not meet the requirement for the specified %1, return "101" [CR] and the command is not executed.	
Response	Acceptable	"000" [CR]
	Unacceptable	"Error Code" [CR]

8.6.3 CF_INPUT1~4 Command

Command	"CF_INPUT%1_%2" [CR]	
%1	"1" ----- Specify Input 1 "2" ----- Specify Input 2 "3" ----- Specify Input 3 "4" ----- Specify Input 4	
%2	"DIGITAL" ----- Select DVI Input (Computer signal) "ANALOG" ----- Select Analog Input (Computer signal) "VIDEO" ----- Select Composite Video Input "S-VIDEO" ----- Select S-Video input "YPBPR" ----- Select Y/Pb/Pr Input "YCBCR" ----- Select Y/Cb/Cr Input "SDI1" ----- Select DF-SDI 1 Input "SDI2" ----- Select DF-SDI 2 Input "HDCP" ----- Select HDCP Input "SCART" ----- Select SCART Input "HDWL" ----- Select HD data wireless Input	
Details	Select Input specified by %1, and also Source specified by %2 concurrently. (Valid only when in the normal Power ON status.)	
Response	Acceptable	"000" [CR]
	Unacceptable	"Error Code" [CR]

8.6.4 CF_SYSTEM Command

Command	"CF_SYSTEM_%1" [CR]	
%1	Input is PC Analog	"VGA1" ----- Select VGA1 "VGA2" ----- Select VGA2 : : "XGA1" ----- Select XGA1 : : "WXGA3" ----- Select WXGA3 "1080I" ----- Select 1080i "1035I" ----- Select 1035i "720P" ----- Select 720p "575P" ----- Select 575p "480P" ----- Select 480p "575I" ----- Select 575i "480I" ----- Select 480i "1080PSF/24" ----- Select 1080psf/24 "1080PSF/25" ----- Select 1080psf/25 "1080PSF/30" ----- Select 1080psf/30 "MODE1 - 10" ----- Select MODE1 – MODE10 "EXT11 - 60" ----- Select Ex Mode11-60 * Mode1-10 is not returned.
	Input is PC Digital/AV HDCP	"D-XGA1" ----- Select D-XGA1 : : "D-WXGA3" ----- Select D-WXGA3 "D-1080I" ----- Select D-1080i "D-1035I" ----- Select D-1035i "D-720P" ----- Select D-720p "D-575P" ----- Select D-575p "D-480P" ----- Select D-480p "D-1080PSF/24" ----- Select D-1080psf/24 "D-1080PSF/25" ----- Select D-1080psf/25 "D-1080PSF/30" ----- Select D-1080psf/30
	Input is Y,Pb/Cb,Pr/Cr	"AUTO" ----- Select System "Auto" "1080I" ----- Select 1080i "1035I" ----- Select 1035i "720P" ----- Select 720p "575P" ----- Select 575p "480P" ----- Select 480p "575I" ----- Select 575i "480I" ----- Select 480i
	Input is Video / S-Video	"AUTO" ----- Select System "Auto" "NTSC" ----- Select NTSC "NTSC443" ----- Select NTSC4.43 "PAL" ----- Select PAL "SECAM" ----- Select SECAM "PAL-M" ----- Select PAL-M "PAL-N" ----- Select PAL-N
Details	Select System of currently selected Input (Available only in the normal Power ON status) When selected input does not include specified %1, error code "101" [CR] is returned and it is not executed.	
Response	Acceptable	"000" [CR]
	Unacceptable	"Error Code" [CR]

8.7 Screen Control Command

8.7.1 CF_SCREEN Command

Command	"CF_SCREEN_%1" [CR]	
%1	Input is PC signal	"NORMAL" ----- Select Normal mode "TRUE" ----- Select True mode "WIDE" ----- Select Wide mode "FULL" ----- Select Full mode "CUSTOM" ----- Select Custom mode "DZOOM□UP" ----- Expand image size by Digital Zoom "DZOOM□DN" ----- Compress image size by Digital Zoom "UP" ----- Select screen size with forward switching in possible range (Normal → True → Wide → Full → Custom → Normal → ...) "DN" ----- Select screen size with backward switching in possible range (Normal → Custom → Full → Wide → True → Normal → ...)
	Input is Video signal	"NORMAL" ----- Select Normal mode "WIDE" ----- Select Wide mode "CUSTOM" ----- Select Custom mode "UP" ----- Select screen size with forward switching in possible range (Normal → Wide → Custom → Normal → Wide → ...) "DN" ----- Select screen size with backward switching in possible range (Normal → Custom → Wide → Normal → Custom → ...)
	Common in AV/PC	"RST" ----- Reset Screen adjustment
Details	Select screen size. (Valid only when in the normal Power ON status.) When selected Input does not meet the requirement for the specified %1, return "101" [CR] and the command is not executed.	
Response	Acceptable	"000" [CR]
	Unacceptable	"Error Code" [CR]

8.7.2 CF_DZCENT Command

Command	"CF_DZCENT_%1" [CR]	
%1	"CENT" ----- Cancel Digital Zoom (CENT: "CENTER")	
Details	Cancel Digital Zoom mode. (Valid only when in the normal Power ON status and Input for Computer is selected.)	
Response	Acceptable	"000" [CR]
	Unacceptable	"101" [CR] ----- When input is Video

8.7.3 CF_KEYSTONE Command

Command	"CF_KEYSTONE_%1" [CR]	
%1	"UP" ----- Correct Keystone distortion to reduce upper part of image "FUP" ----- Correct Keystone distortion to reduce upper part "DN" ----- Correct Keystone distortion to reduce lower part of image "FDN" ----- Correct Keystone distortion to reduce lower part largely "LEFT" ----- Correct Keystone distortion to reduce left part of image "FLFT" ----- Correct Keystone distortion to reduce left part largely "RIGHT" ----- Correct Keystone distortion to reduce right part of image "FRGT" ----- Correct Keystone distortion to reduce right part largely "RST" ----- Set Keystone OFF	
Details	Change level of Keystone distortion correction (Available only in the normal Power ON status). When reached the limit of the correction level, projector accepts the command but does not execute it. Receiving this command immediately invokes the operation. When trying to set the value beyond available range, error code "201" is returned and the operation is not executed. Example 1: When the correction level of the right part has reached its upper limit and then the command "RIGHT" is received Example 2: When the upper part correction allows only another step, and then the command "FUP" is received.	
Response	Acceptable	"000" [CR]
	Unacceptable	"Error Code" [CR]

8.7.4 CF_KEYSTONEMODE Command

Command	"CF_KYSTNMODE_%1" [CR]	
%1	"STR" ----- Set Keystone store mode to Store "RST" ----- Set Keystone store mode to Reset	
Details	Set Keystone store mode (Available only in the normal Power ON status)	
Response	Acceptable	"000" [CR]
	Unacceptable	"Error Code" [CR]

8.7.5 CF_CEIL Command

Command	"CF_CEIL_%1" [CR]	
%1	"ON" ----- Set Ceiling to ON "OFF" ----- Set Ceiling to OFF	
Details	Set/Cancel Ceiling. (Valid only when in the normal Power ON status.) When Ceiling is set to ON, image is left/right as well as top/bottom reversed. The status set by this command is stored in EEPROM and the setting remains effective after the power is turned to ALL OFF status.	
Response	Acceptable	"000" [CR]
	Unacceptable	"Error Code" [CR]

8.7.6 CF_REAR Command

Command	"CF_REAR_%1" [CR]	
%1	"ON" ----- Set Rear to ON "OFF" ----- Set Rear to OFF	
Details	Set/Cancel Rear. (Valid only when in the normal Power ON status.) When Rear is set to ON, image is left/right reversed. The status set by this command is stored in EEPROM and the setting remains effective after the power is turned to ALL OFF status.	
Response	Acceptable	"000" [CR]
	Unacceptable	"Error Code" [CR]

8.7.7 CF_VSCALE Command

Command	"CF_VSCALE_%1" [CR]	
%1	"035" ----- +35 "031" ----- +31 : "001" ----- +1 "000" ----- ±0 " - 01" ----- - 1 : " - 31" ----- - 31 " - 32" ----- - 32 "UP" ----- Increment setting value of Vscale by 1 "DN" ----- Decrement setting value of Vscale by 1	
Details	Set Vscale (Available only in the normal Power ON status) *When selected screen mode is a setting except Custom, return "101" [CR] and the command is not executed. * When input is no signal, return "101" [CR] and the command is not executed.	
Response	Acceptable	"000" [CR]
	Unacceptable	"Error Code" [CR]

8.7.8 CF_VPOS Command

Command	"CF_VPOS_%1" [CR]	
%1	"015" ----- +15 "014" ----- +14 : "001" ----- +1 "000" ----- ±0 " - 01" ----- - 1 : " - 14" ----- - 14 " - 15" ----- - 15 "UP" ----- Increment setting value of Vposition by 1 "DN" ----- Decrement setting value of Vposition by 1	
Details	Set V Position (Available only in the normal Power ON status) *When selected screen mode is a setting except Custom, return "101" [CR] and the command is not executed. * When input is no signal, return "101" [CR] and the command is not executed.	
Response	Acceptable	"000" [CR]
	Unacceptable	"Error Code" [CR]

8.7.9 CF_HSCALE Command

Command	"CF_HSCALE_%1" [CR]	
%1	"035" ----- +35 "031" ----- +31 : "002" ----- +2 "001" ----- +1 "000" ----- ±0 " - 01" ----- - 1 " - 02" ----- - 2 : " - 31" ----- - 31 " - 32" ----- - 32 "UP" ----- Increment setting value of Hscale by 1 "DN" ----- Decrement setting value of Hscale by 1	
Details	Set Hscale (Available only in the normal Power ON status) *When selected screen mode is a setting except Custom, return "101" [CR] and the command is not executed. * When input is no signal, return "101" [CR] and the command is not executed.	
Response	Acceptable	"000" [CR]
	Unacceptable	"Error Code" [CR]

8.7.10 CF_HPOS Command

Command	"CF_HPOS_%1" [CR]	
%1	"015" ----- +15 "014" ----- +14 : "002" ----- +2 "001" ----- +1 "000" ----- ±0 " - 01" ----- - 1 " - 02" ----- - 2 : " - 14" ----- - 14 " - 15" ----- - 15 "UP" ----- Increment setting value of Hposition by 1 "DN" ----- Decrement setting value of Hposition by 1	
Details	Set H Position (Available only in the normal Power ON status) *When selected screen mode is a setting except Custom, return "101" [CR] and the command is not executed. * When input is no signal, return "101" [CR] and the command is not executed.	
Response	Acceptable	"000" [CR]
	Unacceptable	"Error Code" [CR]

8.8 Lamp Command

8.8.1 CF_LAMPH Command

Command	"CF_LAMPH_%1" [CR]	
%1	"RSTn" (n=1-2) ----- Reset lamp 1-2 running time	
Details	Reset running time of the lamp specified in "n". (Valid only when it is in the normal Power ON status.)	
Response	Acceptable	"000" [CR]
	Unacceptable	"Error Code" [CR]

8.8.2 CF_LAMPMODE Command

Command	"CF_LAMPMODE_%1" [CR]	
%1	"FULL" ----- Set lamp mode to 2-lamp (FULL) "HALF" ----- Set lamp mode to 1-lamp (HALF)	
Details	Select Lamp mode. (Valid only when in the normal Power ON status.) The value set by this command is stored in EEPROM and the setting remains effective after the power is turned to ALL OFF status. On Half mode, one lamp with a fewer used-time light automatically.	
Response	Acceptable	"000" [CR]
	Unacceptable	"Error Code" [CR]

8.8.3 CF_AUTOLAMPCTRL Command

Command	"CF_AUTOLAMPCTRL_%1" [CR]	
%1	"NORMAL" ----- Set lamp control mode to NORMAL "ECO" ----- Set lamp control mode to ECO "AUTO" ----- Set lamp control mode to AUTO	
Details	Select Lamp control mode. (Valid only when in the normal Power ON status.) The value set by this command is stored in EEPROM and the setting remains effective after the power is turned to ALL OFF status.	
Response	Acceptable	"000" [CR]
	Unacceptable	"Error Code" [CR]

8.9 Setting Command

8.9.1 CF_LANG Command

Command	"CF_LANG_%1" [CR]	
%1	"ENG" ----- Select ENGLISH "DEU" ----- Select German "FRA" ----- Select French "ITA" ----- Select Italian "ESP" ----- Select Spanish "POR" ----- Select Portuguese "NED" ----- Select Dutch "SVE" ----- Select Swedish "JPN" ----- Select Japanese "CHI" ----- Select Chinese "KOR" ----- Select Korean "RUS" ----- Select Russian	
Details	Select language for OSD. (Valid only when in the normal Power ON status.) The language set by this command is stored in EEPROM and the setting remains effective after the power is turned to ALL OFF status.	
Response	Acceptable	"000" [CR]
	Unacceptable	"Error Code" [CR]

8.9.2 CF_DISP Command

Command	"CF_DISP_%1" [CR]	
%1	"ON" ----- Set Display to ON "CNTDWN OFF" ----- Set Display to Count down Off "OFF" ----- Set Display to OFF "UP" ----- Switch forward (On → Count down Off → Off → On → ---) "DN" ----- Switch backward (On → Off → Count down Off → On → ---)	
Details	Set/Cancel Display. (Valid only when in the normal Power ON status.) The value set by this command is stored in EEPROM and the setting remains effective after the power is turned to ALL OFF status.	
Response	Acceptable	"000" [CR]
	Unacceptable	"Error Code" [CR]

8.9.3 CF_BACKGND Command

Command	"CF_BACKGND_%1" [CR]	
%1	"BLUE" ----- Select Blue Back "USER" ----- Select User "BLACK" ----- Select Black Back "UP" ----- Switch forward (Blue Back→User→Black Back→Blue Back) "DN" ----- Switch backward (Blue Back→Black Back→User→Blue Back)	
Details	Set Screen status for no signal. (Available only in the normal Power ON status) The status set by this command is stored in EEPROM and the setting remains even after the power is turned to ALL OFF status. *When %1="USER" is received, error code "101" is returned, in the case of Capture non-practice.	
Response	Acceptable	"000" [CR]
	Unacceptable	"Error Code" [CR]

8.9.4 CF_LOGO Command

Command	"CF_LOGO_%1_%2" [CR]	
%1	"0000 – 9999" ----- Directly set Logo PIN code	
%2	"OFF" ----- Cancel Logo display "DFLT" ----- Select Logo of Factory Default "USER" ----- Select User "UP" ----- Select functions to choose forward (OFF → DFLT → USER → OFF → --) "DN" ----- Select functions to choose backward (OFF → USER → DFLT → OFF → --)	
Details	Set Logo mode. (Available only in the normal Power ON status) The status set by this command is stored in EEPROM and setting remains effective even after the power is turned to ALL OFF status. Set Logo PIN code in %1. When Logo Lock is enabled: PIN code is matched ----- Command is valid (Acceptable) PIN code is mismatched ----- Command is invalid (Error code "102") PIN code is beyond %1 available range ----- Command is invalid (Error code "?") When Logo Lock is disabled: PIN code is within %1 available range ----- Command is valid (Acceptable) PIN code is out of %1 available range ----- Command is invalid (Error code "?") Note: When Logo Lock is enabled, matching Logo PIN code switches Logo but Logo Lock is not cancelled (Lock status is kept). *When %2="USER" is received, error code "101" is returned, in the case of Capture non-practice.	
Response	Acceptable	"000" [CR]
	Unacceptable	"Error Code" [CR]

8.9.5 CF_FANSPEED Command

Command	"CF_FANSPEED_%1" [CR]	
%1	"MAX" ----- Select Maximum speed of Fan Control "NOR" ----- Select Normal speed of Fan Control	
Details	Switch Fan Control Speed. (Valid only when in the normal Power ON status.) The status set by this command is stored in EEPROM and the setting remains effective after the power is turned to ALL OFF status.	
Response	Acceptable	"000" [CR]
	Unacceptable	"Error Code" [CR]

8.9.6 CF_RCODE Command

Command	"CF_RCODE_%1" [CR]	
%1	"001" ----- Select Code 1 "002" ----- Select Code 2 "003" ----- Select Code 3 "004" ----- Select Code 4 "005" ----- Select Code 5 "006" ----- Select Code 6 "007" ----- Select Code 7 "008" ----- Select Code 8 "UP" ----- Switch forward (Code1→Code2→Code3 - - - →Code8→Code1) "DN" ----- Switch backward (Code8→Code7→Code6 - - - →Code1→Code8)	
Details	Select Remote Control Code (Valid only when in the normal Power ON status) The status set by this command is stored in EEPROM and the setting remains effective after the power is turned to ALL OFF status.	
Response	Acceptable	"000" [CR]
	Unacceptable	"Error Code" [CR]

8.9.11 CF_PJPINCODE Command

Command	"CF_PJPINCODE_%1" [CR]	
%1	"0000 – 9999" ----- Directly specify PJ PIN code	
Details	<p>Enter PIN code to cancel PIN code lock (Available only in the normal Power ON status) PIN code can not be changed. (Only PIN code lock is canceled.) *When PIN code Lock is enabled: PIN code is matched ----- Command is valid (Acceptable) PIN code is mismatched ----- Command is invalid (Error code "102") PIN code is beyond %1 available range ---- Command is invalid (Error code "?") When PIN code lock is canceled: PIN code is within %1 range ----- Command is valid (Acceptable) PIN code is out of %1 range ----- Command is invalid (Error code is 102)</p> <p>This command is only valid when "PJ PIN code" dialog is displayed to enter PIN code after Power is ON and Countdown is completed. When PIN code lock is set to "On1", it needs to send this command every time the projector is turned on.</p>	
Response	Acceptable	"000" [CR]
	Unacceptable	"Error Code" [CR]

8.9.12 CF_FILH Command

Command	"CF_FILH_%1" [CR]	
%1	"RST" ----- Reset Filter used time	
Details	Reset used time for filter of projector	
Response	Acceptable	"000" [CR]
	Unacceptable	"Error Code" [CR]

8.9.13 CF_FILTERTIMER Command

Command	"CF_FILTERTIMER_%1" [CR]	
%1	"0400" ----- Set 400 hours "0700" ----- Set 700 hours "1000" ----- Set 1000 hours "OFF" ----- Set Off(Do not warning display)	
Details	Set time to display Filter cleaning / replacement warning on screen	
Response	Acceptable	"000" [CR]
	Unacceptable	"Error Code" [CR]

8.9.14 CF_FILCTL Command

Command	"CF_FILCTL_%1" [CR]	
%1	"ROLL" ----- Execute operation of scroll of filter	
Details	Execute operation of scroll of filter	
Response	Acceptable	Acceptable
	Unacceptable	Unacceptable

8.9.15 CF_FILSCRL Command

Command	"CF_FILSCRL_%1" [CR]	
%1	"RST" ----- Reset Filter scroll counter	
Details	Reset Filter scroll counter	
Response	Acceptable	Acceptable
	Unacceptable	Unacceptable

8.9.16 CF_TESTPAT Command

Command	"CF_TESTPAT_%1" [CR]	
%1	"COLOR" ----- Display Color bar "GRAD1" ----- Display 16step(white→black) "GRAD2" ----- Display 16step(white←black) "GRAD3" ----- Display 16step(white↓black) "GRAD4" ----- Display 16step(white↑black) "WHITE" ----- Display all white "BLACK" ----- Display all black "CROSS" ----- Display Cross "OFF" ----- Do not show test pattern display "UP" ----- Switch forward "DN" ----- Switch backward	
Details	Execute test pattern display.(Available only in the normal Power ON status)	
Response	Acceptable	"000" [CR]
	Unacceptable	"Error Code" [CR]

8.9.17 CF_FDEFAULT Command

Command	"CF_FDEFAULT_%1" [CR]	
%1	"RST"	
Details	Return the settings to Factory Default status (Valid only when in the normal Power ON status)	
Response	Acceptable	"000" [CR]
	Unacceptable	"Error Code" [CR]

8.9.18 CF_KEYDIS Command

Command	"CF_KEYDIS_%1" [CR]	
%1	"NONE" ----- RC & KEY are valid "RC" ----- RC is invalid "KEY" ----- KEY is invalid	
Details	Set the limitation of RC/KEY use (Valid only when in the normal Power ON status)	
Response	Acceptable	"000" [CR]
	Unacceptable	"Error Code" [CR]

8.9.19 CF_SHUTRCPROT Command

Command	"CF_SHUTRCPROT_%1" [CR]	
%1	"ON" ----- Disable RC key from controlling Shutter (Protection On) "OFF" ----- Enable RC key to control Shutter (Protection Off)	
Details	Set valid / invalid of RC use on Shutter control function (Valid only when in the normal Power ON status)	
Response	Acceptable	"000" [CR]
	Unacceptable	"Error Code" [CR]

8.9.20 CF_SHUTKEYPROT Command

Command	"CF_SHUTKEYPROT_%1" [CR]	
%1	"ON" ----- Disable key on the top panel from controlling Shutter (Protection On) "OFF" ----- Enable key on the top panel to control Shutter (Protection Off)	
Details	Set valid / invalid use of key on the top panel on Shutter control function. (Valid only when in the normal Power ON status)	
Response	Acceptable	"000" [CR]
	Unacceptable	"Error Code" [CR]

8.9.21 CF_SHUTH Command

Command	"CF_SHUTH_%1" [CR]	
%1	"005"- "180"-----Specify setting time directly "UP" ----- Add 1 minute "DN" -----Decrease 1 minute	
Details	Set time of operating shutter management function. (Valid only when in the normal Power ON status) The status set by this command is stored in EEPROM and setting remains effective even after the power is turned to ALL OFF status.	
Response	Acceptable	"000" [CR]
	Unacceptable	"Error Code" [CR]

8.10 Other Command**8.10.1 CF_SHUTTER Command**

Command	"CF_SHUTTER_%1" [CR]	
%1	"OPEN"----- Open Shutter "CLOSE" ----- Close Shutter	
Details	Control OPEN / CLOSE of Shutter (Valid only when in the normal Power ON status)	
Response	Acceptable	"000" [CR]
	Unacceptable	"Error Code" [CR]

8.11 HD data wireless Command**8.11.1 CF_HDWLMODE Command**

Command	"CF_HDWLMODE_%1" [CR]	
%1	"SINGLE"----- 1-1 mode "BROADCAST" ----- 1-N mode	
Details	Set communication mode with a radio transmitter. (Valid only when HD-wireless input is selected)	
Response	Acceptable	"000" [CR]
	Unacceptable	"Error Code" [CR]

8.11.2 CF_HDWLAUTH Command

Command	"CF_HDWLAUTH_%1" [CR]	
%1	"EXECUTE"----- Perform the authentication between Tx-Rx. "RST" -----Reset the authentication between Tx-Rx.	
Details	Perform / Reset the authentication between Tx-Rx. (Valid only when HD-wireless input is selected and Single mode is set)	
Response	Acceptable	"000" [CR]
	Unacceptable	"Error Code" [CR]

8.11.3 CF_HDWLINID Command

Command	"CF_HDWLINID_%1" [CR]	
%1	"*****" (Eight digits)---- ID of Tx * is shown in capitalized letter, from 0 - F.	
Details	Set the Input ID of the transmitters when Broadcast mode is selected (Valid only when HD-wireless input is selected and Broadcast mode is set)	
Response	Acceptable	"000" [CR]
	Unacceptable	"Error Code" [CR]

8.11.4 CF_HDWLFDEF Command

Command	"CF_HDWLFDEF_%1" [CR]	
%1	"RST"-----Return the settings to Factory default status of HD -wireless setting	
Details	Return the settings to Factory Default status of HD data wireless setting *Valid only when HD-wireless input is selected * The projector-related setting does not return to Factory default status	
Response	Acceptable	"000" [CR]
	Unacceptable	"Error Code" [CR]

9. Status Read Command

9.1 Format

- 1) PC issues a command in the format below:

"CR_Command" [CR]

Command: String

- 2) When the projector receives the applicable command, it returns the required information as a data string.

"000_" %1 [CR]

%1: required Information (a data string. Refer to [Basic Status Read Command Table])

- 3) When the received data cannot be decoded, the projector returns **"?" [CR]**

9.2 Transfer Example

Getting total dots of the projector by Expand Serial Commands

PC → PJ: "CR_TDOTS" [CR]

PC ← PJ: "000_1344" [CR]

9.3 Operation condition

Basically it should be always operated.

9.4 Image Status Read Commands

9.4.1 CR_CONT Command

Command	"CR_CONT" [CR]	
Details	Get user controlled value of Contrast	
Response	Acceptable	"000_%1" [CR]
	%1	"000" – "063"
	Unacceptable	"?" [CR]

9.4.2 CR_BRIGHT Command

Command	"CR_BRIGHT" [CR]	
Details	Get user controlled value of Brightness	
Response	Acceptable	"000_%1" [CR]
	%1	"000" – "063"
	Unacceptable	"?" [CR]

9.4.3 CR_COLOR Command

Command	"CR_COLOR" [CR]	
Details	Get user controlled value of Color	
Response	Acceptable	"000_%1" [CR]
	%1	"000" – "063"
	Unacceptable	"Error Code" [CR] -----When command is invalid in the given condition (such as being selected input) "?" [CR] ----- When unknown command is received

9.4.4 CR_TINT Command

Command	"CR_TINT" CR]	
Details	Get user controlled value of Tint	
Response	Acceptable	"000_%1" [CR]
	%1	"000" – "063"
	Unacceptable	"Error Code" [CR] -----When command is invalid in the given condition (such as being selected input) "?" [CR] ----- When unknown command is received

9.4.5 CR_APCTRL Command

Command	"CR_APCTRL" [CR]	
Details	Get setting status of Auto Picture Control	
Response	Acceptable	"000_%1" [CR]
	%1	"L1" ----- Operate Auto Picture Control with Level1 "L2" ----- Operate Auto Picture Control with Level2 "OFF" ----- Set Auto Picture Control OFF
	Unacceptable	"?" [CR]

9.4.6 CR_COLTEMP Command

Command	"CR_COLTEMP" [CR]	
Details	Get Color Temperature setting status	
Response	Acceptable	"000_%1" [CR]
	%1	"000" ~"003" "BLANK" ---- OSD Menu is blank (Neither of Xlow / Low / Mid / High)
	Unacceptable	"?" [CR]

9.4.7 CR_WBAL-R Command

Command	"CR_WBAL-R" [CR]	
Details	Get user controlled Red value of White Balance	
Response	Acceptable	"000_%1" [CR]
	%1	"000" – "063"
	Unacceptable	"?" [CR]

9.4.8 CR_WBAL-G Command

Command	"CR_WBAL-G" [CR]	
Details	Get user controlled Green value of White Balance	
Response	Acceptable	"000_%1" [CR]
	%1	"000" – "063"
	Unacceptable	"?" [CR]

9.4.9 CR_WBAL-B Command

Command	"CR_WBAL-B" [CR]	
Details	Get user controlled Blue value of White Balance	
Response	Acceptable	"000_%1" [CR]
	%1	"000" – "063"
	Unacceptable	"?" [CR]

9.4.10 CR_OFFSET-R Command

Command	"CR_OFFSET-R" [CR]	
Details	Get user controlled Red value of Offset	
Response	Acceptable	"000_%1" [CR]
	%1	"000" – "063"
	Unacceptable	"?" [CR]

9.4.11 CR_OFFSET-G Command

Command	"CR_OFFSET-G" [CR]	
Details	Get user controlled Green value of Offset	
Response	Acceptable	"000_%1" [CR]
	%1	"000" – "063"
	Unacceptable	"?" [CR]

9.4.12 CR_OFFSET-B Command

Command	"CR_OFFSET-B" [CR]	
Details	Get user controlled Blue value of Offset	
Response	Acceptable	"000_%1" [CR]
	%1	"000" – "063"
	Unacceptable	"?" [CR]

9.4.13 CR_SHARP Command

Command	"CR_SHARP" [CR]	
Details	Get user controlled value of Sharpness	
Response	Acceptable	"000_%1" [CR]
	%1	"000" – "031"
	Unacceptable	"?" [CR]

9.4.14 CR_GAMMA Command

Command	"CR_GAMMA" [CR]	
Details	Get user controlled value of Gamma	
Response	Acceptable	"000_%1" [CR]
	%1	"000" – "015"
	Unacceptable	"?" [CR]

9.4.15 CR_NZRED Command

Command	"CR_NZRED" [CR]	
Details	Get Noise Reduction setting status	
Response	Acceptable	"000_%1" [CR]
	%1	"ON" ----- Noise Reduction is ON "OFF" ----- Noise Reduction is OFF
	Unacceptable	"Error Code" [CR] -----When command is invalid in the given condition (such as being selected input) "?" [CR] ----- When unknown command is received

9.4.16 CR_PROGV Command

Command	"CR_PROGV" [CR]	
Details	Get Progressive scan setting status	
Response	Acceptable	"000_%1" [CR]
	%1	"ON" ----- Set Progressive scan On "FILM" ----- Select FILM mode "OFF" ----- Set Progressive scan Off
	Unacceptable	"Error Code" [CR] -----When command is invalid in the given condition (such as being selected input) "?" [CR] ----- When unknown command is received

9.4.17 CR_IMAGE Command

Command	"CR_IMAGE" [CR]	
Details	Get image setting status. The Required data "CUSTOM1" – "CUSTOM10" corresponds to "Image1" – "Image10" displayed when selecting Image on OSD Menu.	
Response	Acceptable	"000_%1" [CR]
	%1	"STAND" ----- Standard "REAL" ----- Real "CINEMA" ----- Cinema "CUSTOM1" ----- "Image1" "CUSTOM2" ----- "Image2" "CUSTOM3" ----- "Image3" "CUSTOM4" ----- "Image4" "CUSTOM5" ----- "Image5" "CUSTOM6" ----- "Image6" "CUSTOM7" ----- "Image7" "CUSTOM8" ----- "Image8" "CUSTOM9" ----- "Image9" "CUSTOM10" ----- "Image10"
	Unacceptable	"Error Code" [CR] ----- When command is invalid in the given condition (such as being selected input) "?" [CR] ----- When unknown command is received

9.4.18 CR_IMGGMD Command

Command	"CR_IMGGMD" [CR]	
Details	Get setting status of Standard/Real/Cinema in Image Gamma	
Response	Acceptable	"000_%1" [CR]
	%1	"STD" ----- Standard "REL" ----- Real "CNM" ----- Cinema
	Unacceptable	"?" [CR]

9.4.19 CR_ADVCOL Command

Command	"CR_ADVCOL" [CR]	
Details	Get setting status of Advanced color	
Response	Acceptable	"000_%1" [CR]
	%1	"AUTO" ----- Operate Advanced color with Auto "OFF" ----- Set Advanced color OFF
	Unacceptable	"?" [CR]

9.5 PC Status Read Commands

9.5.1 CR_FSYNC Command

Command	"CR_FSYNC" [CR]	
Details	Get value of Fine Sync	
Response	Acceptable	"000_%1" [CR]
	%1	"0000" – "0031"
	Unacceptable	"Error Code" [CR] ----- When command is invalid in the given condition (such as being selected input) "?" [CR] ----- When unknown command is received

9.5.2 CR_TDOTS Command

Command	"CR_TDOTS" [CR]	
Details	Get value of Total Dots	
Response	Acceptable	"000_%1" [CR]
	%1	"mmmm" – "nnnn" (mmmm = Display area H + Position H) (nnnn = Maximum value less than 140 MHz of Dot Clock)
	Unacceptable	"Error Code" [CR] ----- When command is invalid in the given condition (such as being selected input) "?" [CR] ----- When unknown command is received

9.5.3 CR_H-POS Command

Command	"CR_H-POS" [CR]	
Details	Get value of Horizontal Position	
Response	Acceptable	"000_%1" [CR]
	%1	"0000" – "nnnn" (nnnn = Total Dots - Display Area H)
	Unacceptable	"Error Code" [CR] ----- When command is invalid in the given condition (such as being selected input) "?" [CR] ----- When unknown command is received

9.5.4 CR_V-POS Command

Command	"CR_V-POS" [CR]	
Details	Get value of Vertical Position	
Response	Acceptable	"000_%1" [CR]
	%1	"0000" – "nnnn" (nnnn = Total Line - Display Area V)
	Unacceptable	"Error Code" [CR] ----- When command is invalid in the given condition (such as being selected input) "?" [CR] ----- When unknown command is received

9.5.5 CR_CLAMP Command

Command	"CR_CLAMP" [CR]	
Details	Get value of Clamp	
Response	Acceptable	"000_%1" [CR]
	%1	"0000" – " 4095"
	Unacceptable	"Error Code" [CR] ----- When command is invalid in the given condition (such as being selected input) "?" [CR] ----- When unknown command is received

9.5.6 CR_DDOTS Command

Command	"CR_DDOTS" [CR]	
Details	Get value of Display Dots	
Response	Acceptable	"000_%1" [CR]
	%1	"0256".nnnn" (nnnn = Total Dots – Position H)
	Unacceptable	"Error Code" [CR] ----- When command is invalid in the given condition (such as being selected input) "?" [CR] ----- When unknown command is received

9.5.7 CR_DLINE Command

Command	"CR_DLINE" [CR]	
Details	Get value of Display Line	
Response	Acceptable	"000_%1" [CR]
	%1	"0100" – " nnnn" (nnnn = Total Line – Position V)
	Unacceptable	"Error Code" [CR] ----- When command is invalid in the given condition (such as being selected input) "?" [CR] ----- When unknown command is received

9.5.8 CR_SETPCADJ Command

Command	"CR_SETPCADJ" [CR]	
Details	Get PC signal for current system	
Response	Acceptable	"000_%1" [CR]
	%1	<p>When input signal is PC Analog;</p> <p>"VGA1" ----- Indicates VGA1 is selected "VGA2" ----- Indicates VGA2 is selected : "XGA1" ----- Indicates XGA1 is selected : "WXGA3" ----- Indicates WXGA3 is selected "1080I" ----- Indicates 1080i is selected "1035I" ----- Indicates 10350i is selected "720P" ----- Indicates 720p is selected "575P" ----- Indicates 575p is selected "480P" ----- Indicates 480p is selected "575I" ----- Indicates 575i is selected "480I" ----- Indicates 480i is selected "1080PSF/24" ----- Indicates 1080psf/24 is selected "1080PSF/25" ----- Indicates 1080psf/25 is selected "1080PSF/30" ----- Indicates 1080psf/30 is selected : "MODE10" ----- Indicates Mode10 is selected "EXT11" ----- EXT11 is selected : "EXT60" ----- EXT60 is selected</p> <p>* Error Code "101" [CR] is returned for no signal. * When input signal is not PC Analog, error code "101" is returned.</p>
	Unacceptable	"?" [CR]

9.5.9 CR_ORGMODE Command

Command	"CR_ORGMODE" [CR]	
Details	Get the original signal of current selected Mode that is set in PC Adj. When MODE1- 10 or EXT11-60 is not selected, get the current signal.	
Response	Acceptable	"000_%1" [CR]
	%1	<p>When input signal is PC Analog;</p> <p>"VGA1" ----- Indicates signal is VGA1 "VGA2" ----- Indicates signal is VGA2 : : "XGA1" ----- Indicates signal is XGA1 : : "WXGA3" ----- Indicates signal is WXGA3 "1080i60" ----- Indicates signal is 1080i60 "1080i50" ----- Indicates signal is 1080i50 "1035i" ----- Indicates signal is 1035i "720P60" ----- Indicates signal is 720p60 "720P50" ----- Indicates signal is 720p50 "575P" ----- Indicates signal is 575p "480P" ----- Indicates signal is 480p "575i" ----- Indicates signal is 575i "480i" ----- Indicates signal is 480i "1080PSF/24" ----- Indicates signal is 1080psf/24 "1080PSF/25" ----- Indicates signal is 1080psf/25 "1080PSF/30" ----- Indicates signal is 1080psf/30 Note; To differentiate between 60Hz and 50Hz in 1080i and 720p, "60" or "50" is necessary to add to the parameter in this command * When input signal is not PC Analog, error code "101" is returned.</p>
	Unacceptable	"?" [CR]

9.5.10 CR_PCSTORE Command

Command	"CR_PCSTORE" [CR]	
Details	Get Free or Stored status of MODE1 - 5 in PC Adjust. Data consists of 10 bytes and each byte represents MODE1-10.(F:Free, S:Stored)	
Response	Acceptable	"000_%1" [CR]
	%1	<p>"FFFFFFFF" ----- ALL Free "FFFFFFFFF" ----- Mode1 is Stored, others are Free : "FFFFFFFFFS" ----- Mode10 is Stored, others are Free "SSSSSSSSSS" ----- ALL Stored</p>
	Unacceptable	<p>"Error Code" [CR] ----- When command is invalid in the given condition (such as being selected input) "?" [CR] ----- When unknown command is received</p>

9.6 Video Status Read Command

9.6.1 CR_SERSYS Command

Command	"CR_SERSYS" [CR]	
Details	Get currently selected signal. Value only when Input is video. (Invalid when Input is computer)	
Response	Acceptable	"000_%1" [CR]
	%1	"1080I60" ----- 1080i 60Hz "1080I50" ----- 1080i 50Hz "1035I" ----- 1035i "720P60" ----- 720p 60Hz "720P50" ----- 720p 50Hz "575P" ----- 575p "480P" ----- 480p "575I" ----- 575i (includes composite signal such as PAL) "480I" ----- 480i (includes composite signal such as NTSC) "NO_SIGNAL" ----- There is no signal
	Unacceptable	"?" [CR]

9.7 Input Read Command

9.7.1 CR_INPUT Command

Command	"CR_INPUT" [CR]	
Details	Get selected INPUT No.	
Response	Acceptable	"000_%1" [CR]
	%1	"1" – "4"
	Unacceptable	"?" [CR]

9.7.2 CR_SOURCE Command

Command	"CR_SOURCE" [CR]	
Details	Get selected Source	
Response	Acceptable	"000_%1" [CR]
	%1	"DIGITAL" ----- DVI Input is selected "ANALOG" ----- ANALOG RGB is selected "VIDEO" ----- Video Input is selected "S-VIDEO" ----- S-VIDEO Input is selected "YPBPR" ----- Y/Pb/Pr Input is selected "SDI1" ----- DF-SDI1 Input is selected "SDI2" ----- DF-SDI2 Input is selected "HDCP" ----- HDCP Input is selected "SCART" ----- SCART Input is selected "HDWL" ----- HD data wireless input is selected "BLANK" ----- without Source (LAN card) "NOCARD" ----- There is no board inserted
	Unacceptable	"Error Code" [CR] ----- When command is invalid in the given condition (such as being selected input) "?" [CR] ----- When unknown command is received

9.7.3 CR_SYSTEM Command

Command	"CR_SYSTEM" [CR]	
Details	Get selected System	
Response	Acceptable	"000_%1" [CR]
	%1	Input is PC Analog "VGA1" ----- indicates VGA1 is selected "VGA2" ----- indicates VGA2 is selected : : "XGA1" ----- indicates XGA1 is selected : "WXGA3" ----- indicates WXGA3 is selected "1080I" ----- indicates 1080i is selected "1035I" ----- indicates 1035i is selected "720P" ----- indicates 720p is selected "575P" ----- indicates 575p is selected "480P" ----- indicates 480p is selected "575I" ----- indicates 575i is selected "480I" ----- indicates 480i is selected "1080PSF/24" ----- indicates 1080psf/24 is selected "1080PSF/25" ----- indicates 1080psf/25 is selected "1080PSF/30" ----- indicates 1080psf/30 is selected "MODE1" ----- indicates Mode1 is selected : "MODE10" ----- indicates Mode10 is selected "EXT11" ----- indicates EXT11 is selected : "EXT60" ----- indicates EXT60 is selected * Error Code "101" [CR] is returned for no signal
		Input is PC-Digital/AV-HDCP "D-XGA1" ----- indicates D-XGA1 is selected : "D-WXGA3" ----- indicates D-WXGA3 is selected "D-1080I" ----- indicates D-1080i is selected "D-1035I" ----- indicates D-1035i is selected "D-720P" ----- indicates D-720p is selected "D-575P" ----- indicates D-575p is selected "D-480P" ----- indicates D-480p is selected "D-1080PSF/24" ----- indicates D-1080psf/24 is selected "D-1080PSF/25" ----- indicates D-1080psf/25 is selected "D-1080PSF/30" ----- indicates D-1080psf/30 is selected * Error Code "101" [CR] is returned for no signal
		Input is Y,Pb/Cb,Pr/Cr "AUTO" ----- indicates Auto is selected "1080I" ----- indicates 1080i60Hz is selected "1035I" ----- indicates 1035i is selected "720P" ----- indicates 720p is selected "575P" ----- indicates 575p is selected "480P" ----- indicates 480p is selected "575I" ----- indicates 575i is selected "480I" ----- indicates 480i is selected * Selected System is returned, whether or not signal is coming.
		Input is Video or S-video "AUTO" ----- indicates Auto is selected "NTSC" ----- indicates NTSC is selected "NTSC443" ----- indicates NTSC4.43 is selected "PAL" ----- indicates PAL is selected "SECAM" ----- indicates SECAM is selected "PAL-M" ----- indicates PAL-M is selected "PAL-N" ----- indicates PAL-N is selected * Selected System is returned, whether or not signal is coming.
Unacceptable	"Error Code" [CR]	

9.7.4 CR_SRCINP1 Command

Command	"CR_SRCINP1" [CR]	
Details	Get Source of Input1	
Response	Acceptable	"000_%1" [CR]
	%1	"DIGITAL" ----- in Computer mode "ANALOG" ----- in Computer mode "VIDEO" ----- in Video mode "S-VIDEO" ----- in Video mode "YPBPR" ----- in Component mode "SDI1" ----- in DF-SDI1 mode "SDI2" ----- in DF-SDI2 mode "HDCP" ----- in HDCP mode "SCART" ----- in SCART mode "HDWL" ----- in HD-wireless mode "BLANK" ----- There is no input source (LAN card) "NOCARD" ----- There is no board inserted
	Unacceptable	"?" [CR]

9.7.5 CR_SRCINP2 Command

Command	"CR_SRCINP2" [CR]	
Details	Get Source of Input 2	
Response	Acceptable	"000_%1" [CR]
	%1	The same data as CF_SRCINP1
	Unacceptable	"?" [CR]

9.7.6 CR_SRCINP3 Command

Command	"CR_SRCINP3" [CR]	
Details	Get Source of Input 3	
Response	Acceptable	"000_%1" [CR]
	%1	The same data as CF_SRCINP1
	Unacceptable	"?" [CR]

9.7.7 CR_SRCINP4 Command

Command	"CR_SRCINP3" [CR]	
Details	Get Source of Input 4	
Response	Acceptable	"000_%1" [CR]
	%1	The same data as CF_SRCINP1
	Unacceptable	"?" [CR]

9.7.8 CR_HMSLOT Command

Command	"CR_HMSLOT" [CR]	
Details	Get the total number of Slots(Inputs)	
Response	Acceptable	"000_%1" [CR]
	%1	"004"
	Unacceptable	"?" [CR]

9.7.9 CR_NMSLOT1 Command

Command	"CR_NMSLOT1" [CR]	
Details	Get the board name inserted to Slot 1	
Response	Acceptable	"000_%1" [CR]
	%1	"HDCP-DVI2" ----- Input1/ New HDCP&DVI board "5BNC-VIDEO"----- Input2/ New Video board "VGA" ----- VGA D-Sub board "NETWORK" ----- NETWORK board "5BNC" ----- Component board "DUAL-SDI" ----- HD&SD-SDI board "HDCP-DVI" ----- HDCP&DVI board "WARP" ----- Warp board "POA-MD26HDWL"----- Wireless movie card "NOTERMINAL" ----- There is no board inserted
	Unacceptable	"?" [CR]

9.7.10 CR_NMSLOT2 Command

Command	"CR_NMSLOT2" [CR]	
Details	Get the board name inserted to Slot 2	
Response	Acceptable	"000_%1" [CR]
	%1	The same data as CR_NMSLOT1
	Unacceptable	"?" [CR]

9.7.11 CR_NMSLOT3 Command

Command	"CR_NMSLOT3" [CR]	
Details	Get the board name inserted to Slot 3	
Response	Acceptable	"000_%1" [CR]
	%1	The same data as CR_NMSLOT1
	Unacceptable	"?" [CR]

9.7.12 CR_NMSLOT4 Command

Command	"CR_NMSLOT4" [CR]	
Details	Get the board name inserted to Slot 4	
Response	Acceptable	"000_%1" [CR]
	%1	The same data as CR_NMSLOT1
	Unacceptable	"?" [CR]

9.7.13 CR_IDSLOT1 Command

Command	"CR_IDSLOT1" [CR]	
Details	Get ID information on Slot 1. This command is used to recognize the inserted board and specify the valid Input source.	
Response	Acceptable	"000_%1" [CR]
	%1	"01" ----- D-sub board Valid Input Source: ANALOG "03" ----- Network board Valid Input Source: NONE (BLANK) "04" ----- Component board Valid Input Source: ANALOG, YPBPR "08" ----- DUAL-SDI board Valid Input Source: SDI1, SDI2 "09" ----- HDCP-DVI board Valid Input Source: DIGITAL, ANALOG, HDCP, SCART "10" ----- Warp board Valid Input Source: DIGITAL, HDCP "18" ----- New HDCP-DVI board Valid Input Source: DIGITAL, ANALOG, HDCP, SCART "19" ----- New Component & Video board Valid Input Source: ANALOG, YPBPR, VIDEO, S-VIDEO "20" ----- Wireless movie card Valid Input Source: HD-wireless "30" ----- On-board(DVI-DSub+D-Sub) Valid Input Source: DIGITAL, ANALOG, HDCP, SCART "42" ----- On-board(5BNC+S-video) Valid Input Source: ANALOG, YPBPR, VIDEO, S-VIDEO "99" ----- No board inserted
	Unacceptable	"?" [CR]

9.7.14 CR_IDSLOT2 Command

Command	"CR_IDSLOT2" [CR]	
Details	Get ID information on Slot 2. This command is to recognize the inserted slot board and specify the valid Input source.	
Response	Acceptable	"000_%1" [CR]
	%1	The same as CR_IDSLOT1
	Unacceptable	"?" [CR]

9.7.15 CR_IDSLOT3 Command

Command	"CR_IDSLOT3" [CR]	
Details	Get ID information on Slot 3. This command is to recognize the inserted slot board and specify the valid Input source.	
Response	Acceptable	"000_%1" [CR]
	%1	The same as CR_IDSLOT1
	Unacceptable	"?" [CR]

9.7.16 CR_IDSLOT4 Command

Command	"CR_IDSLOT4" [CR]	
Details	Get ID information on Slot 4. This command is to recognize the inserted slot board and specify the valid Input source.	
Response	Acceptable	"000_%1" [CR]
	%1	The same as CR_IDSLOT1
	Unacceptable	"?" [CR]

9.8 Screen Status Read Commands

9.8.1 CR_SCREEN Command

Command	"CR_SCREEN" [CR]	
Details	Get currently selected screen image size	
Response	Acceptable	"000_%1" [CR]
	%1	"NORMAL" ----- Normal mode "WIDE" ----- Wide mode "FULL" ----- Full mode "TRUE" ----- True mode "CUSTOM" ----- Custom mode
	Unacceptable	"Error Code" [CR] ----- When command is invalid in the given condition (such as being selected input) "?" [CR] ----- When unknown command is received

9.8.2 CR_KYSTNMODE Command

Command	"CR_KYSTNMODE" [CR]	
Details	Get setting status of Keystone Store Mode	
Response	Acceptable	"000_%1" [CR]
	%1	"STR" ----- Store mode is "Store" "RST" ----- Store mode is "Reset"
	Unacceptable	"?" [CR] ----- When unknown command is received

9.8.3 CR_CEIL Command

Command	"CR_CEIL" [CR]	
Details	Get setting status of Ceiling	
Response	Acceptable	"000_%1" [CR]
	%1	"ON" ----- Ceiling projection is enabled "OFF" ----- Ceiling projection is disabled
	Unacceptable	"Error Code" [CR]

9.8.4 CR_REAR Command

Command	"CR_REAR" [CR]	
Details	Get setting status of Rear function	
Response	Acceptable	"000_%1" [CR]
	%1	"ON" ----- Rear projection is enabled "OFF" ----- Rear projection is disabled
	Unacceptable	"Error Code" [CR]

9.8.5 CR_VSCALE Command

Command	"CR_VSCALE" [CR]	
Details	Get setting status of V scale	
Response	Acceptable	"000_%1" [CR]
	%1	"-32" - "035"
	Unacceptable	"Error Code" [CR]

9.8.6 CR_VPOS Command

Command	"CR_VPOS" [CR]	
Details	Get setting status of V Position	
Response	Acceptable	"000_%1" [CR]
	%1	"-15"—"015"
	Unacceptable	"Error Code" [CR]

9.8.7 CR_HSCALE Command

Command	"CR_HSCALE" [CR]	
Details	Get setting status of H scale	
Response	Acceptable	"000_%1" [CR]
	%1	"-32"—"035"
	Unacceptable	"Error Code" [CR]

9.8.8 CR_HPOS Command

Command	"CR_HPOS" [CR]	
Details	Get setting status of H Position	
Response	Acceptable	"000_%1" [CR]
	%1	"-15"—"015"
	Unacceptable	"Error Code" [CR]

9.9 Lamp Status Read Commands

9.9.1 CR_LAMPREPL Command

Command	"CR_LAMPREPL" [CR]	
Details	Get the information of Lamp Replacement time	
Response	Acceptable	"000_%1" [CR]
	%1	<p>"2**"</p> <p>2 ----- indicates 2 lamps are used in this model. * ----- indicates the status of each lamp in lamp number order. "Y" means the lamp operating time is over the threshold for lamp replacement, and "N" means it has not reached to.</p> <p>e.g. "2YN" ----- This indicates it is 2-lamp system, and Lamp #2 has not been reached to the replacement time while #1 should be replaced.</p>
	Unacceptable	"?" [CR]

9.9.2 CR_LAMPMODE Command

Command	"CR_LAMPMODE" [CR]	
Details	Get Lamp mode setting status	
Response	Acceptable	"000_%1" [CR]
	%1	<p>"FULL" ----- Lamp mode is set to 2-lamp (FULL) "HALF" ----- Lamp mode is set to 1-lamp (HALF)</p>
	Unacceptable	"?" [CR]

9.9.3 CR_AUTOLAMPCTRL Command

Command	"CR_AUTOLAMPCTRL" [CR]	
Details	Get selected Lamp control mode	
Response	Acceptable	"000_%1" [CR]
	%1	<p>"NORMAL" ----- NORMAL is selected. "ECO" ----- ECO is selected. "AUTO" ----- AUTO is selected.</p>
	Unacceptable	"Error Code" [CR]

9.9.4 CR_LAMPSTS Command

Command	"CR_LAMPSTS" [CR]	
Details	Get the information of Lamp lighting status	
Response	Acceptable	"000_%1" [CR]
	%1	<p>"2**"</p> <p>The first character indicates 2 lamps are used in this model. The following characters indicate each lamp status in lamp number order as showed below. "I" ----- Lamp is ON "O" ----- Lamp is OFF "X" ----- Lamp Failure</p> <p>e.g. "2IO" ----- This indicates it is 2-lamps system, Lamp #1 is ON, and #2 is OFF.</p>
	Unacceptable	"?" [CR]

9.9.5 CR_INFLAMP Command

Command	"CR_INFLAMP" [CR]	
Details	Get Lamp mode switching status	
Response	Acceptable	"000_%1" [CR]
	%1	"NML" ----- in Normal status (lamp switching operation is not active.) "CNG" ----- during lamp switching operation
	Unacceptable	"?" [CR]

9.9.6 CR_PROJH Command

Command	"CR_PROJH" [CR]	
Details	Get total running time of projector (in hours)	
Response	Acceptable	"000_%1" [CR]
	%1	"0000000" – "0099999"
	Unacceptable	"?" [CR]

9.9.7 CR_HMLAMP Command

Command	"CR_HMLAMP" [CR]	
Details	Get total lamp number	
Response	Acceptable	"000_%1" [CR]
	%1	"002"
	Unacceptable	"?" [CR]

9.9.8 CR_LAMPH Command

Command	"CR_LAMPH" [CR]	
Details	Get Lamp running time (in hours) * return actual lamp running time	
Response	Acceptable	"000_%1_%2_%3_%4" [CR]
	%1_%2 %3_%4	Lamp 1 data comes first, and then one space, after that lamp 2 data is followed. %1 = lamp No.1 %2 = lamp No.2 %3 = lamp No.3 %4 = lamp No.4 ※ In the case of 2-lamps model, % 1 and % 2 are only used (There are no % 3 and % 4) eg; "0410_0410_0410_0410" [CR] → Lamp No.1 = 410 Hours Lamp No.2 = 410 Hours Lamp No.3 = 410 Hours Lamp No.4 = 410 Hours Note; -each data shall be 4 digits. -"9999" is returned for 10000 hours or more.
	Unacceptable	"Error Code" [CR]

9.10 Setting Status Read Commands

9.10.1 CR_BACKGND Command

Command	"CR_BACKGND" [CR]	
Details	Get setting status of Screen for no signal	
Response	Acceptable	"000_%1" [CR]
	%1	"BLUE" ----- Blue Back is selected "USER" ----- User is selected "BLACK" ----- Black Back is selected
	Unacceptable	"Error Code" [CR]

9.10.2 CR_DISP Command

Command	"CR_DISP" [CR]	
Details	Get Display setting status	
Response	Acceptable	"000_%1" [CR]
	%1	"ON" ----- Display is set to ON. "CNTDWN OFF" ----- Display is set to Count down OFF. "OFF" ----- Display is set to OFF.
	Unacceptable	"?" [CR]

9.10.3 CR_LOGO Command

Command	"CR_LOGO" [CR]	
Details	Get Logo setting status	
Response	Acceptable	"000_%1" [CR]
	%1	"DFLT" ----- Default Logo is enabled "USER" ----- User is enabled "OFF" ----- Off is enabled
	Unacceptable	"?" [CR]

9.10.4 CR_LOGOLOCK Command

Command	"CR_LOGOLOCK" [CR]	
Details	Get setting status of Logo Lock function	
Response	Acceptable	"000_%1" [CR]
	%1	"ON" ----- Logo Lock is ON "OFF" ----- Logo Lock is OFF
	Unacceptable	"Error Code" [CR]

9.10.5 CR_RCODE Command

Command	"CR_RCODE" [CR]	
Details	Get currently selected Remote Control code	
Response	Acceptable	"000_%1" [CR]
	%1	"001" ----- Code1 "002" ----- Code2 : "007" ----- Code7 "008" ----- Code8
	Unacceptable	"?" [CR]

9.10.6 CR_RSENS Command

Command	"CR_RSENS" [CR]	
Details	Get selected location of infrared remote receiver of remote control	
Response	Acceptable	"000_%1" [CR]
	%1	"BOTH" -----Select both front and back receiver of projector "FRONT" ---- Select only front receiver of projector "BACK" ----- Select only back receiver of projector
	Unacceptable	"?" [CR]

9.10.7 CR_LANG Command

Command	"CR_LANG" [CR]	
Details	Get selected language	
Response	Acceptable	"000_%1" [CR]
	%1	"ENG" ----- English is selected "DEU" ----- German is selected "FRA" ----- French is selected "ITA" ----- Italian is selected "ESP" ----- Spanish is selected "POR" ----- Portuguese is selected "NED" ----- Dutch is selected "SVE" ----- Swedish is selected "CHI" ----- Chinese is selected "KOR" ----- Korean is selected "JPN" ----- Japanese is selected "RUS" ----- Russian is selected
	Unacceptable	"?" [CR]

9.10.8 CR_ON-STA Command

Command	"CR_ON-STA" [CR]	
Details	Get Power ON Start setting status	
Response	Acceptable	"000_%1" [CR]
	%1	"ON" ----- Power ON Start is set to ON. "OFF" ----- Power ON Start is set to OFF.
	Unacceptable	"?" [CR]

9.10.9 CR_P-MANE Command

Command	"CR_P-MANE" [CR]	
Details	Get setting status of Power management	
Response	Acceptable	"000_%1" [CR]
	%1	"OFF" ----- Power Management is disabled "READY" ----- Power Management is set to Ready "SHUTDOWN" -----Power Management is set to Shut Down mode
	Unacceptable	"?" [CR]

9.10.10 CR_P-MANETIME Command

Command	"CR_P-MAETIME" [CR]	
Details	Get setting time for starting Power Management function	
Response	Acceptable	"000_%1" [CR]
	%1	"001 – 030" ----- 1 to 30 minutes
	Unacceptable	"?" [CR]

9.10.11 CR_FANSPEED Command

Command	"CR_FANSPEED" [CR]	
Details	Get currently selected Fan Control Speed	
Response	Acceptable	"000_%1" [CR]
	%1	"MAX" ----- Max speed of Fan Control is selected "NOR" ----- Normal speed of Fan Control is selected
	Unacceptable	"?" [CR]

9.10.12 CR_KEYDIS Command

Command	"CR_KEYDIS" [CR]	
Details	Get setting status of RC/KEY use limitation (valid or invalid)	
Response	Acceptable	"000_%1" [CR]
	%1	"NONE" ----- RC & KEY are valid "RC" ----- RC is invalid "KEY" ----- KEY is invalid
	Unacceptable	"?" [CR]

9.10.13 CR_SHUTRCPROT Command

Command	"CR_SHUTRCPROT" [CR]	
Details	Get status if Shutter can be controlled by R/C	
Response	Acceptable	"000_%1" [CR]
	%1	"ON" ----- Shutter is not controllable by R/C "OFF" ----- Shutter is controllable by R/C
	Unacceptable	"?" [CR]

9.10.14 CR_SHUTKEYPROT Command

Command	"CR_SHUTKEYPROT" [CR]	
Details	Get status if Shutter can be controlled by key on the top panel	
Response	Acceptable	"000_%1" [CR]
	%1	"ON" ----- Shutter is not controllable by key on the top panel "OFF" ----- Shutter is controllable by key on the top panel
	Unacceptable	"?" [CR]

9.10.15 CR_SHUTH Command

Command	"CR_SHUTH" [CR]	
Details	Get time setting to start the shutter management	
Response	Acceptable	"000_%1" [CR]
	%1	"005" ----- 5 minutes "006" ----- 6 minutes : "179" ----- 179 minutes "180" ----- 180 minutes
	Unacceptable	"?" [CR]

9.10.16 CR_SECURITY Command

Command	"CR_SECURITY" [CR]	
Details	Get ON/OFF setting status of Security on menu.	
Response	Acceptable	"000_%1" [CR]
	%1	"ON" ----- PJ is locked "OFF" ----- PJ is not locked.
	Unacceptable	"Error Code" [CR]

9.10.17 CR_PJLOCKNOW Command

Command	"CR_PJLOCKNOW" [CR]	
Details	Get actual setting status of PIN code lock	
Response	Acceptable	"000_%1" [CR]
	%1	"LOCK" ----- PJ is locked PIN code lock is set to ON1/ON2 on the menu and PJ PIN code is not entered, therefore PJ is actually locked. "FREE" ----- PJ is unlocked (either A or B) A) PJ lock is set to OFF on the menu B) PJ lock is set to ON1/ON2 on the menu, but PIN code Lock mode is canceled because PJ PIN code is entered.
	Unacceptable	"Error Code" [CR]

9.10.18 CR_PJLOCMENU Command

Command	"CR_PJLOCKMENU" [CR]	
Details	Get ON/OFF setting status of PIN code lock on menu	
Response	Acceptable	"000_%1" [CR]
	%1	"ON1" ----- PIN code lock ON 1 is set on the menu "ON2" ----- PIN code lock ON 2 is set on the menu "OFF" ----- PIN code lock OFF is set on the menu
	Unacceptable	"Error Code" [CR]

9.10.19 CR_FILH Command

Command	"CR_FILH" [CR]	
Details	Get Filter used time	
Response	Acceptable	"000_%1" [CR]
	%1	"00000 - 99999"
	Unacceptable	"Error Code" [CR]

9.10.20 CR_FILCOND Command

Command	"CR_FILCOND" [CR]	
Details	Get status of filter clog	
Response	Acceptable	"000_%1" [CR]
	%1	"CLOG" = Filter is clogged "WARN" = Filter is nearly clogged "CLEAN" = Filter is not clogged
	Unacceptable	"Error Code" [CR]

9.10.21 CR_FILREPL Command

Command	"CR_FILREPL" [CR]	
Details	Get status of Filter cleaning / replacement time	
Response	Acceptable	"000_%1" [CR]
	%1	"1Y"-----Filter Exchange time is over value of Filter Message. "1N"--Filter Exchange time is not over value of Filter Message.
	Unacceptable	"Error Code" [CR]

9.10.22 CR_FILTIMER Command

Command	"CR_FILTIMER" [CR]	
Details	Get time to display Filter cleaning / replacement warning on screen	
Response	Acceptable	"000_%1" [CR]
	%1	"0400" ----- Display message by 400h used. "0700" ----- Display message by 700h used. "1000" ----- Display message by 1000h used. "OFF" ----- Off(Warning display is not displayed)
	Unacceptable	"Error Code" [CR]

9.10.23 CR_FILREMAIN Command

Command	"CR_FILREMAIN" [CR]	
Details	Get remaining number of usable Filter scroll	
Response	Acceptable	"000_%1" [CR]
	%1	"09" = Remaining number of usable Filter scroll : 9 times : "00" = Remaining number of usable Filter scroll : 0 time
	Unacceptable	"Error Code" [CR]

9.10.24 CR_TESTPAT Command

Command	"CR_TESTPAT" [CR]	
Details	Get setting status of Test pattern	
Response	Acceptable	"000_%1" [CR]
	%1	"COLOR" ----- Color bar is displayed "GRAD1" ----- 16step(white→black) is displayed "GRAD2" ----- 16step(white←black) is displayed "GRAD3" ----- 16step(white↓black) is displayed "GRAD4" ----- 16step(white↑black) is displayed "WHITE" ----- All white is displayed "BLACK" ----- All black is displayed "CROSS" ----- Cross is displayed "OFF" ----- Test pattern display is not displayed
	Unacceptable	"Error Code" [CR]

9.11 Other Status Read Commands

9.11.1 CR_STATUS Command

Command	"CR_STATUS" [CR]	
Details	Get operating status of Projector Same as "CR0" in basic command except error code follows it.	
Response	Acceptable	"000_%1" [CR]
	%1	"00" = Power ON "80" = Standby "40" = Countdown in process "20" = Cooling Down in process "10" = Power Failure "28" = Cooling Down in process due to abnormal temperature "88" = Standby after Cooling Down due to abnormal temperature "02" = Invalid RS-232C Command "24" = Power Save/Cooling Down in process "21" = Cooling Down in process after turned Off due to lamp failure "81" = Standby after Cooling Down due to lamp failure "2C" = Cooling Down in process after Power Off due to Shutter management "8C" = Standby after Cooling Down due to Shutter management
	Unacceptable	"Error Code" [CR]

9.11.2 CR_SIGNAL Command

Command	"CR_SIGNAL" [CR]	
Details	Get status if there is any signal or not	
Response	Acceptable	"000_%1" [CR]
	%1	"ON" ----- There is signal "OFF" ----- There is no signal
	Unacceptable	"?" [CR]

9.11.3 CR_VMUTE Command

Command	"CR_VMUTE" [CR]	
Details	Get Video mute setting status	
Response	Acceptable	"000_%1" [CR]
	%1	"ON" ----- Video mute is set to ON (Shutter Close). "OFF" ----- Video mute is set to OFF (Shutter Open).
	Unacceptable	"?" [CR]

9.11.4 CR_FREEZE Command

Command	"CR_FREEZE" [CR]	
Details	Get Freeze setting status	
Response	Acceptable	"000_%1" [CR]
	%1	"ON" ----- Freeze is set to ON. "OFF" ----- Freeze is set to OFF.
	Unacceptable	"?" [CR]

9.11.5 CR_P-TIMER Command

Command	"CR_P-TIMER" [CR]	
Details	Get Presentation Timer operating status	
Response	Acceptable	"000_%1" [CR]
	%1	"ON" ----- Presentation Timer is ongoing. "STOP" ----- Presentation Timer is paused. "OFF" ----- Presentation Timer is not active.
	Unacceptable	"?" [CR]

9.11.6 CR_TEMPWARN Command

Command	"CR_TEMPWARN" [CR]	
Details	Get the information about the temperature inside the projector (close to the abnormal or in the abnormal status/in the safe temperature level/abnormal status is not detected). It is possible to get the information about more than one sensor all at once if it is applicable.	
Response	Acceptable	"000_%1" [CR]
	%1	"* _*" <p>Sensor 1 data comes first, and then one space, after that sensor 2 data is followed. Each data is as below: "W"--- in or close to the abnormal temp. (Warning Temp.) "S"--- in the safe level of temperature (Safe Temp.) "N"--- the given sensor does not detect abnormal temp.</p> <p>e.g. "S_W" [CR] indicates that the temperature detected at Sensor 1 is in the safe level while Sensor 2 in the abnormal temperature.</p>
	Unacceptable	"?" [CR]

9.11.7 CR_TEMPFAIL Command

Command	"CR_TEMPFAIL" [CR]	
Details	Get the temperature inside the projector when the abnormal status occurs. It is possible to get the temperatures for more than one sensor all at once if it is applicable.	
Response	Acceptable	"000_%1" [CR]
	%1	<p>e.g. "_31.5F"[CR] _ indicates a space. When the temperature goes under 0, the first character is "-", not a space, as in "-05.5F". With more than one temperature sensors installed, projector returns the responses for each sensor in a row.</p> <p>e.g. "_31.5F_35.2S" [CR] The first data indicates sensor 1 data, then one space, and sensor 2 data is followed. Last character in each data indicates the sensor's status. In the abnormal temperature ----- "F" In the safe level of temperature ----- "S" Neither in or close to the abnormal temp. ----- "N"</p> <p>The second example above indicates that the temperature detected by sensor 1 is 31.5 which means in the abnormal temperature, and at sensor 2 is 32.5 degrees which is in the safe temperature.</p> <p>When the abnormal temperature status is not occurred the data should be "_00.0S". When the projector is reset, "_00.0S" is set. Every time abnormal temperature status is detected, it renews the data and returns it. It only returns the renewed data of the latest abnormal temperature and the previous data is cleared.</p>
	Unacceptable	"?" [CR]

9.11.8 CR_SERIALNO Command

Command	"CR_SERIALNO" [CR]	
Details	Get value of the serial number. (For Dealer)	
Response	Acceptable	"000_%1" [CR]
	%1	Eight digits of alphanumeric characters
	Unacceptable	"?" [CR]

9.11.9 CR_SHUTCOND Command

Command	"CR_SHUTCOND" [CR]	
Details	Get setting status of Shutter	
Response	Acceptable	"000_%1" [CR]
	%1	"SAFE" ----- Shutter operation is normal. "FAIL" ----- Shutter operation is abnormal.
	Unacceptable	"?" [CR]

9.12 HD-wireless Read Commands

9.12.1 CR_HDWLMODE Command

Command	"CR_HDWLMODE"[CR]	
Details	Get communication mode with a radio transmitter. (Valid only when HD-wireless input is selected)	
Response	Acceptable	"000_%1" [CR]
	%1	"SINGLE"----- 1-1 mode is set "BROADCAST"----- 1-N mode is set
	Unacceptable	"Error Code" [CR]

9.12.2 CR_HDWLAUTH Command

Command	"CR_HDWLAUTH"[CR]	
Details	Get status of the authentication between Tx-Rx. (Valid only when HD-wireless input is selected and Single mode is set)	
Response	Acceptable	"000_%1" [CR]
	%1	"CONNECT"-----Authentication is success "CONNECTING"-----Authentication in process "DISCONNECT"----- Authentication is failure
	Unacceptable	"Error Code" [CR]

9.12.3 CR_HDWLINID Command

Command	"CR_HDWLINID" [CR]	
Details	Get the ID of the transmitters. (Valid only when HD-wireless input is selected and Broadcast mode is set)	
Response	Acceptable	"000_%1" [CR]
	%1	"*****" (Eight digits)---- ID of Tx * is shown in capitalized letter, from 0 - F.
	Unacceptable	"Error Code" [CR]

9.12.4 CR_HDWLRECEPLV Command

Command	"CR_HDWLRECEPLV"[CR]																	
Details	Get status of the reception level of a radio beam (Valid only when HD-wireless input is selected)																	
Response	Acceptable	"000_%1" [CR]																
	%1	<table style="border: none; width: 100%;"> <tr> <td style="width: 150px;">"LV0"-----</td> <td style="text-align: right;">reception strength: High</td> </tr> <tr> <td>"LV1"-----</td> <td style="text-align: center;">↑</td> </tr> <tr> <td>"LV2"-----</td> <td style="text-align: center;"> </td> </tr> <tr> <td>"LV3"-----</td> <td style="text-align: center;"> </td> </tr> <tr> <td>"LV4"-----</td> <td style="text-align: center;"> </td> </tr> <tr> <td>"LV5"-----</td> <td style="text-align: center;"> </td> </tr> <tr> <td>"LV6"-----</td> <td style="text-align: center;"> </td> </tr> <tr> <td>"LV7"-----</td> <td style="text-align: right;">reception strength: Low</td> </tr> </table>	"LV0"-----	reception strength: High	"LV1"-----	↑	"LV2"-----		"LV3"-----		"LV4"-----		"LV5"-----		"LV6"-----		"LV7"-----	reception strength: Low
	"LV0"-----	reception strength: High																
	"LV1"-----	↑																
	"LV2"-----																	
	"LV3"-----																	
"LV4"-----																		
"LV5"-----																		
"LV6"-----																		
"LV7"-----	reception strength: Low																	
Unacceptable	"Error Code" [CR]																	
%1	"ON" ----- Freeze is set to ON. "OFF" ----- Freeze is set to OFF.																	
Unacceptable	"Error Code" [CR]																	

10. Command with Address Specification

10.1. Overview

- Commands with address are used to remote control more than one projector through RS-232C by a computer.
- The command with address is defined as a single command per line that starts with "A" and ends with carriage return (0x0D).
- When a projector receives carriage return (0x0D), it starts decoding.
- The address such as "A001" is prefixed to the Basic Serial Command or Expand Serial Command already mentioned.

e.g.) Functional Execution Command: "A001C05" [CR]

e.g.) Status Read Command: "A001CR0" [CR]

- Projector has the function to set up its own address in Service mode.

Initial setting value is "No.001"

Available range of the value is "001" to "999"

- It clears the data in the receive buffer in the following cases.
 - When receiving LF (0x0A) or EOF (0x1A)
 - When it takes more than one second to receive a single command.
(Until receiving carriage return after the reception of the first data)
- It returns the response within 60ms.

10.2. Functional Execution Command with address

10.2.1. Format

- 1) PC issues a command in the format below:

"A" **Address** "C" **Command** [CR]

or

"A" **Address** "CF_" **Command** "_" **Parameter** [CR]

Address: 3-digit number ("001" – "999")

Commands with "FFF" as the address are valid to all projectors.

Command: string (Refer to Basic and Expand Serial Command)

- 2) The only projector with the appropriate address decodes the received command, and when it is ready to receive the next command, it returns the response.

[ACK] [CR]: When receiving Functional Execution Command (0x06, 0x0D)

" – " **[CR]**: When the received data cannot be decoded

However, when the address is "FFF", the projector executes the function but does not return the response.

10.2.2. When the command pipelining is needed

When it needs command pipelining, the operation is the same as the remote control as below:

- 1) Sending-side system issues commands every 100ms
- 2) When receiving an applicable command, the function is executed repeatedly for 120ms.
- 3) When receiving the same command in a row within 120ms, the function is repeatedly executed for another 120ms from the moment of the second command reception.
- 4) When there is no incoming command after 120ms, the execution of pipelining is stopped.
- 5) When the projector receives other command within 120ms, the execution of pipelining is stopped.

10.3. Status Read Command with Address

10.3.1. Format

- 1) PC issues a command in the format as below:

"A" Address "CR" Command [CR]

or

"A" Address "CR_" Command [CR]

Address: 3-digit number ("001" – "999")

Command: string (Refer to Basic and Expand Serial Commands)

The only projectors that have the address matching with the one in the received data decode the command, and it returns required data.

Required Data [CR]

Required Data: String (Refer to Basic Status Read Commands)

- 3) When the received data cannot be decoded, it returns "? " [CR]