

Notice



CORRECTION

PRODUCTION CHANGE

SERVICE FLASH

ADD INFORMATION

FILE NO.

REVISION-3

Please add this notice to the Service Manual listed below.

Category :	Multi-media Projector	Issued Date :	Sep. / 2014
Model :	LC-WXL200L LC-WXL200	Effective from :	KK8-WXL200L00 Chassis No. KK8-WXL200L00
Destination :	Canada, U.S. Europe	REF. NO. :	SM5111269

NOTE: Match the Chassis No. on the unit's back cover with the Chassis No. in the Service Manual.

If the Chassis. No. does not match the unit's, additional Service Literature is required. Only the difference service information is given in this manual. For detailed service information, refer to the service manual original SM5111269-00 issued in Aug. 2010 for Models LC-WXL200/WXL200L.

Change of service parts for R-polarized glass

See the page back for the details.

FILE WITH ORIGINAL SERVICE MANUAL (SM5111269)

Note on R-Polarized glass-in replacement

The R-Polarized glass-in indicated on the figure below has been changed for the substitute parts due to the parts procurement reason. The substitute parts has compatibility in performance but only the thickness of polarized glass differs.

- Thickness of R-Polarized glass: 0.5mm type to 2.0mm type

Due to the thickness of polarized glass has been changed, the polarized glass holder should also be replaced with another one to match to the substitute parts at the same time when replacing the polarized glass.

When replacing the polarized glass or glass holder, check the stamped parts no. on the lever of the polarized glass holder and which type of glass holder is used to use the right parts of polarized glass and glass holder.

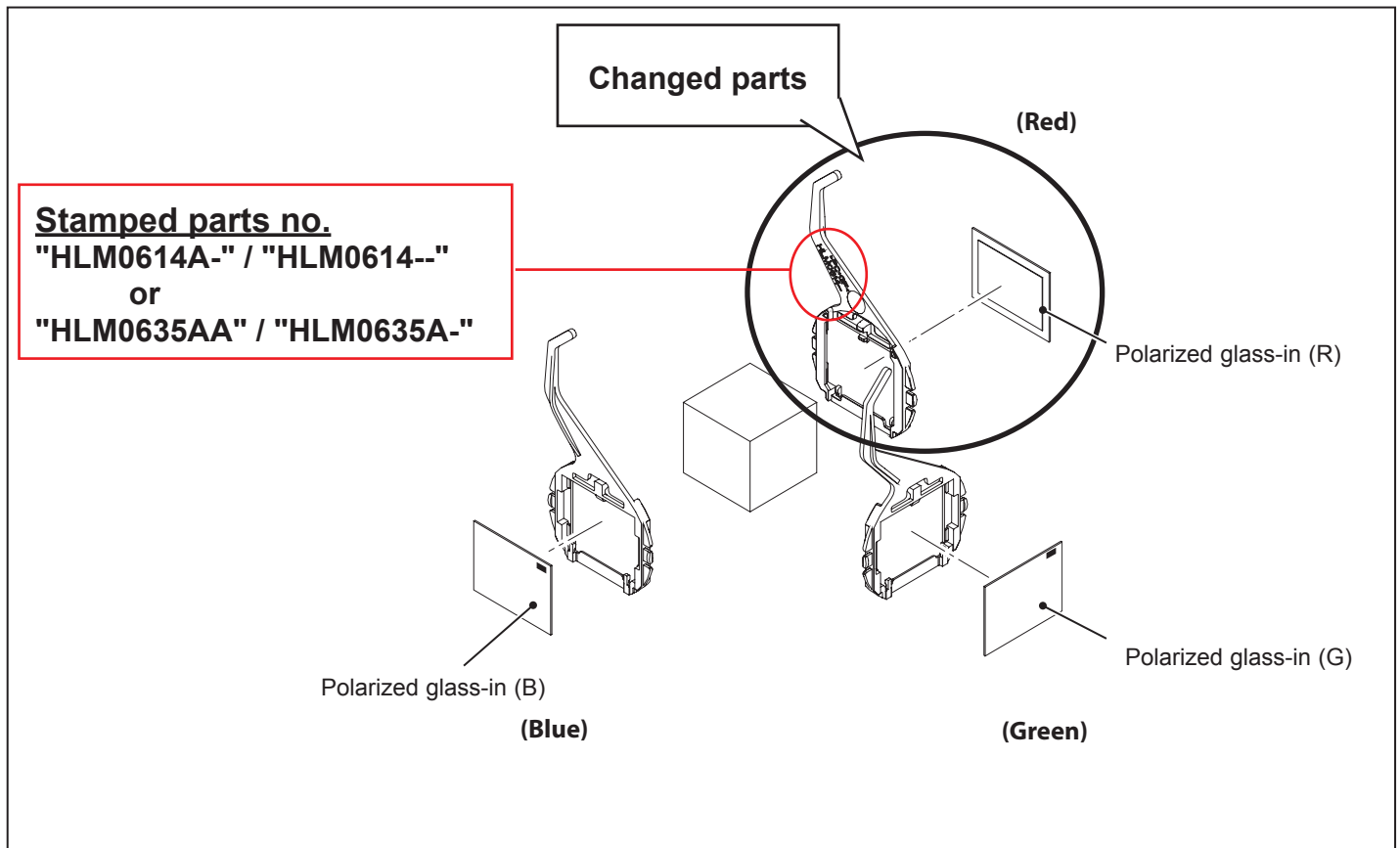
In case of the parts ordering for R-Polarized glass (64451016034), we will supply the R-Polarized unit (6103628240) which consists of polarized glass and glass holder as the substitute.

● "HLM614A-" or "HLM614--" is stamped on the glass holder

Parts name	Parts No.	Supply	Substitute	Specification
POLARIZED GLASS (IN/R) Thickness : 0.5mm	6451016034	No	R-Polarized glass-in Unit (6103628240)	R-Polarized glass-in (TKGP5552) R-Polarized glass holder
HOLDER_POL_IN_R	6103619309 6103468396	Yes	—	

● "HLM0635A-/HLM635AA " is stamped on the glass holder

Parts name	Parts No.	Supply
POLARIZED GLASS (IN/R) Thickness : 2.0mm	TKGP5552	Yes
HOLDER_POL_IN_R	AA2HLM0635AA	Yes



Notice

EIKI

CORRECTION

PRODUCTION CHANGE

SERVICE FLASH

ADD INFORMATION

FILE NO.

REVISION-2

Please add this notice to the Service Manual listed below.

Category : Multi-media Projector

Issued Date : Feb. / 2014

Model : LC-WXL200L
LC-WXL200

Effective from : KK8-WXL200L00
Chassis No. KK8-WXL20000

Destination : Canada, U.S./Europe,
Asia, U.K.

REF. NO. : SM5111269

NOTE: Match the Chassis No. on the unit's back cover with the Chassis No. in the Service Manual.

If the Chassis. No. does not match the unit's, additional Service Literature is required. Only the difference service information is given in this manual. For detailed service information, refer to the service manual original SM5111269-00 issued in Aug. 2010 for Model LC-WXL200.

CORRECTION; Electrical Parts List

The Reason of change. A: Misprint B: Quality Reliability C: Standardization D: Design

Page	Ref. No.	State	Parts No.	Description	Q'ty	Interchange-ability	Reason
112	A901A	Add	610 349 4319	CABLE, BALLAST SERVICE KA8AL	1	-	A

FILE WITH ORIGINAL SERVICE MANUAL (SM5111269-00)

LC-WXL200
1 122 515 01 (KK8B)
1 122 516 01 (LK8B)
1 122 516 06 (LK8G)

REFERENCE NO. SM5111269-02

Notice

EIKI

CORRECTION

PRODUCTION CHANGE

SERVICE FLASH

ADD INFORMATION

FILE NO.

REVISION-1

Please add this notice to the Service Manual listed below.

Category : Multi-media Projector Issued Date : Sep. / 2011

Model : LC-WXL200 Effective from : Chassis No. KK8-WXL20001

Destination : U.S.A,Canada,Europe,
H.K. REF. NO. : SM5111269

NOTE: Match the Chassis No. on the rating label of the projector with the Chassis No. in the Service Manual.

If the Chassis. No. does not match the projector's, additional Service Literature is required. Only the difference service information is given in this manual. For detailed service information, refer to the service manual original SM5111269-00 issued in Aug. 2010 for Model LC-WXL200.

Reason of Change:

1. Flash Memory IC changed due to purchase requirement.
MAIN, SENSOR and some boards are changed because of PWB board change.
2. FAN changed due to supplier requirement.

Differences

- See the page back for the details.

FILE WITH ORIGINAL SERVICE MANUAL (SM5111269)

PRODUCT CODE

LC-WXL200

1 122 515 01 (KK8BA)

1 122 516 01 (LK8BA)

1 122 516 06 (LK8GA)

REFERENCE NO. SM5111269-01

Differences

Differences between chassis no.KK8-WXL20000 and KK8-WXL20001.

CHASSIS NO. KK8-WXL20000			CHASSIS NO. KK8-WXL20001		
Location	Parts No.	Description	Parts No.	Description	Compat- ibility
ASSEMBLED BOARDS					
A1600	655 003 7916	ASSY,PWB,SENSOR C KK8A	655 004 6789	ASSY,PWB,SENSOR C KK8AA	Yes
A1800	655 003 7909	ASSY,PWB,SENSOR A KK8A	655 004 6796	ASSY,PWB,SENSOR A KK8AA	Yes
A1880	655 003 8081	ASSY,PWB,AMF SENSOR KK8A	655 004 6802	ASSY,PWB,AMF SENSOR KK8AA	Yes
A1890	655 003 8074	ASSY,PWB,FILTER SW KK8A	655 004 6819	ASSY,PWB,FILTER SW KK8AA	Yes
A8730	655 003 8067	ASSY,PWB,ID CONNECT KK8A	655 004 6826	ASSY,PWB,ID CONNECT KK8AA	Yes
A1000	655 003 9859	ASSY,PWB,MAIN KK8B	655 004 8820	ASSY,PWB,MAIN KK8BA	No
	IC1311, IC1331	410 643 4400	410 725 9309	IC M13S2561616A-5TG2K	No
	IC801	410 707 9105	410 729 1804	IC M29W640FT70N6E-KK8AA	No
	Q1007	n/a	305 211 1918	TR RJU002N06	No
	R1607	n/a	301 225 0213	MT-GLAZE 3.3K JA 1/16W	No
OUT OF CIRCUIT BOARD					
FN902	645 101 9745	MOTOR,BLW DC 3.36W	645 103 9972	MOTOR,BLW DC 3.0W	No
FN906	645 101 9721	MOTOR,BLW DC 3.36W	645 103 9965	MOTOR,BLW DC 3.0W	No
FN907, FN908	645 101 9714	MOTOR,BLW DC 3.36W	645 103 9958	MOTOR,BLW DC 3.0W	No
FN909	645 101 9691	MOTOR,BLW DC 3.36W	645 103 9941	MOTOR,BLW DC 3.0W	No
FN910, FN911	645 101 9684	MOTOR,BLW DC 3.36W	645 103 9934	MOTOR,BLW DC 3.0W	No



SERVICE MANUAL

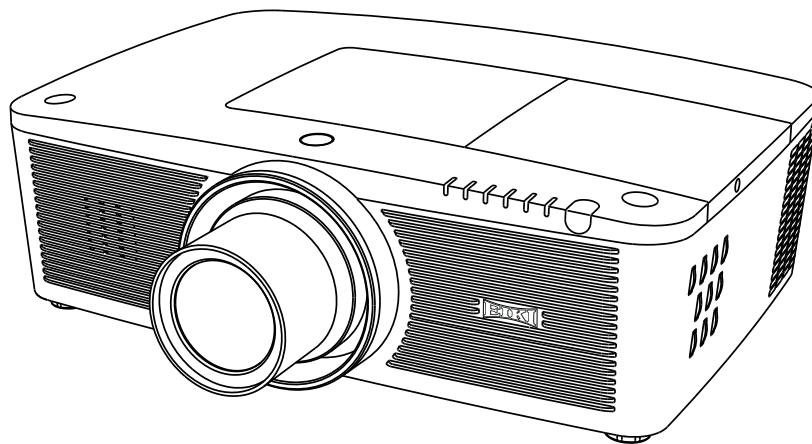
Multimedia Projector

Model No. LC-WXL200

U.S.A., Canada,
Europe, H.K

ORIGINAL VERSION

Chassis No. KK8-WXL20000



Give complete "Chassis No." for parts order or servicing, it is shown on the rating sheet on the cabinet on the projector.

FOREWORD

For your convenience, all service parts, identified in this manual are available through Eiki's normal distribution channels.

In addition to service part number, the generic descriptions have been given, where possible, to allow your service technicians to substitute equivalent components which might be available from other sources.

All orders for service parts will be honored. However, in instances where generic components are considered to be available from several common sources, as would be the case with an industry standard fuse, resistor, or semiconductor, it may be more economical and expeditious to purchase the part locally.

PRODUCT CODE

LC-WXL200

1 122 515 01 (KK8B)

1 122 516 01 (LK8B)

1 122 516 06 (LK8G)

REFERENCE NO. SM5111269-00


Contents

SERVICE MANUAL	1	LED drive & RC control	76
Contents	2	Indicators and Projector Condition	77
Safety Instructions.....	3	Power failure detection system	80
Safety Precautions	3	Diagnosis of Power Failure with RS-232C port	84
Product Safety Notice.....	3	Serial Control Interface.....	85
Service Personnel Warning.....	3	Control Port Functions.....	87
Specifications	4	IC Block Diagrams.....	90
Circuit Protections	5	Parts Location Diagrams.....	100
Fuse.....	5	Mechanical Parts List	109
Thermal protectors (SW902)	5	Electrical Parts List.....	111
Mechanical sensor switches (SW901, SW1891).....	6	Diagrams & Drawings.....	A1
Temperature sensors, wind sensors.....	7	Parts description and reading in schematic diagram ..	A2
Power failure and fan lock detection.....	8	Schematic Diagrams	A3
Maintenance	9	Printed Wiring Board Diagrams.....	A13
Replacing the Filter Cartridge.....	9	Pin description of diode, transistor and IC.....	A17
Lamp Replacement	11	Note on Soldering.....	A18
How to check Lamp Used Time	12		
Quick maintenance.....	13		
Lens Installation.....	14		
Using the Lens Antitheft screw	15		
Cleaning	16		
Cleaning the Projection Lens	16		
Cleaning the Projector Cabinet.....	16		
Security Function Notice	17		
Mechanical Disassembly.....	18		
Optical Parts Disassembly	27		
Adjustments.....	33		
Adjustments after Parts Replacement.....	33		
Note on Main Board Replacement	33		
Service Adjustment Menu Operation	34		
Optical Adjustment	35		
1. Optical axis adjustment	36		
2. Contrast adjustment	40		
Electrical Adjustments	41		
Circuit Adjustments.....	41		
Test Points and Locations	45		
Service Adjustment Data Table	46		
Troubleshooting.....	65		
Chassis over view.....	65		
No Power.....	66		
No Power (Power supply)	67		
No Power (Power supply)	68		
No Power (Fan control).....	69		
No Power (Lamp control).....	70		
Temperature Abnormality	71		
No Picture.....	72		
No Sound.....	73		
Motor control problems.....	74		
Bus control.....	75		

Safety Instructions

Safety Precautions

WARNING:

The chassis of this projector is isolated (COLD) from AC line by using the converter transformer. Primary side of the converter and lamp power supply unit circuit is connected to the AC line and it is hot, which hot circuit is identified with the line () in the schematic diagram. For continued product safety and protection of personnel injury, servicing should be made with qualified personnel.

The following precautions must be observed.

1: An isolation transformer should be connected in the power line between the projector and the AC line before any service is performed on the projector.

2: Comply with all caution and safety-related notes provided on the cabinet back, cabinet bottom, inside the cabinet or on the chassis.

3: When replacing a chassis in the cabinet, always be certain that all the protective devices are installed properly, such as, control knobs, adjust-


ment covers or shields, barriers, etc.

DO NOT OPERATE THIS PROJECTOR WITHOUT THE PROTECTIVE SHIELD IN POSITION AND PROPERLY SECURED.

4: Before replacing the cabinet cover, thoroughly inspect the inside of the cabinet to see that no stray parts or tools have been left inside.

Before returning any projector to the customer, the service personnel must be sure it is completely safe to operate without danger of electric shock.

Product Safety Notice

Product safety should be considered when a component replacement is made in any area of the projector. Components indicated by mark  in the parts list and the schematic diagram designate components in which safety can be of special significance. It is, therefore, particularly recommended that the replacement of these parts must be made by exactly the same parts.

Service Personnel Warning

Eye damage may result from directly viewing the light produced by the Lamp used in this equipment. Always turn off Lamp before opening cover. The Ultraviolet radiation eye protection required during this servicing. Never turn the power on without the lamp to avoid electric-shock or damage of the devices since the stabilizer generates high voltages (15kV - 25kV) at its starts. Since the lamp is very high temperature during units operation replacement of the lamp should be done at least 45 minutes after the power has been turned off, to allow the lamp cool-off.

Specifications

Mechanical Information

Projector Type	Multi-media Projector
Dimensions (W x H x D)	19.25" x 6.46" x 17.12" (489.5 mm x 164.0 mm x 434.8 mm)
Net Weight	21.3 lbs (9.7 kg)
Feet Adjustment	0° to 4°

Panel Resolution

LCD Panel System	0.75" TFT Active Matrix type, 3 panels
Panel Resolution	1,280 x 800 dots
Number of Pixels	3,072,000 (1,280 x 800 x 3 panels)

Signal Compatibility

Color System	PAL, SECAM, NTSC, NTSC4.43, PAL-M, and PAL-N
SD/HD TV Signal	480i, 480p, 575i, 575p, 720p, 1035i, 1080i and 1080p
Input Scanning Frequency	H-sync. 15 kHz–100 kHz, V-sync. 48 Hz–100 Hz

Optical Information

Projection Image Size (Diagonal)	Adjustable from 40" to 400"
Throw Distance	4.5' (1.4m) - 80.1' (24.4m)
Projection Lens	F1.7–2.3 lens with f=26.9 mm–45.4 mm with motor zoom and focus
Projection Lamp	330 W NSHA lamp

Interface

Input 1	HDMI/D-sub15pin(RGB, RGB Scart)
Input 2	BNC Type x 5 (G or Video/Y, B or Pb-Cb, R or Pr-Cr, H/HV and V)
Input 3	RCA Type x 3 (Video/Y, Pb/Cb,Pr/Cr), Mini DIN 4 pin x 1 (S-video)
Analog Out	Analog RGB (Mini D-sub 15 pin) Terminal x 1
Audio Out	Audio (Mini Type stereo) x 1 (Variable)
Audio In 1/2	Audio (Mini Type stereo) x 1
Audio In 3	RCA Type x 2
R/C Jack	Mini jack (Wired Remote) x 1
Control Port	D-sub 9 pin x 1
USB Connector	USB Series B x 1
Option	Network unit Terminal x 1
LAN Connection Terminal	RJ45

Audio

Internal Audio Amp	7.0 W RMS
Built-in Speaker	1 speaker, ϕ 1.46" (37mm)

Power

Voltage and Power Consumption	AC_100–120 V (5.2A Max. Ampere), 50/60 Hz (The U.S.A and Canada) AC 100-240 V (5.2-2.5A Max. Ampere), 50/60Hz (For other countries)
-------------------------------	--

Operating Environment

Operating Temperature	41°F–104°F (5°C–40°C)
Storage Temperature	14°F–140°F (-10°C–60°C)

Remote Control

Battery	AAA or LR03 Type x 2
Operating Range	16.4' (5 m \pm 30')
Dimensions	1.8" (W) x 1.0" (H) x 5.7" (D) (45 mm x 25 mm x 145 mm)
Net Weight	3.5 oz (99 g) (including batteries)

Accessories

Owner's Manual (CD-ROM)	Quick Reference Guide
AC Power Cord	Remote Control and Batteries
PIN Code Label	Lens Cap
VGA Cable	Lens Antitheft screw *
Wired remote cable	Network Application (CD-ROM)

- The specifications are subject to change without notice.
- LCD panels are manufactured to the highest possible standards. Even though 99.99% of the pixels are effective, a tiny fraction of the pixels (0.01% or less) may be ineffective by the characteristics of the LCD panels.



This symbol on the nameplate means the product is Listed by Underwriters Laboratories Inc. It is designed and manufactured to meet rigid U.L. safety standards against risk of fire, casualty and electrical hazards.

Circuit Protections

This projector provides the following circuit protections to operate in safety. If the abnormality occurs inside the projector, it will automatically turn off by operating one of the following protection circuits.

Fuse

A fuse is located inside of the projector. When the POWER indicator is not lighting, the fuse may be opened. Check the fuse as following steps.

The fuse should be used with the following type;

Fuse Part No. : 323 027 2605
TYPE T10AH 250V
LITTEL FUSE INC. TYPE 215010

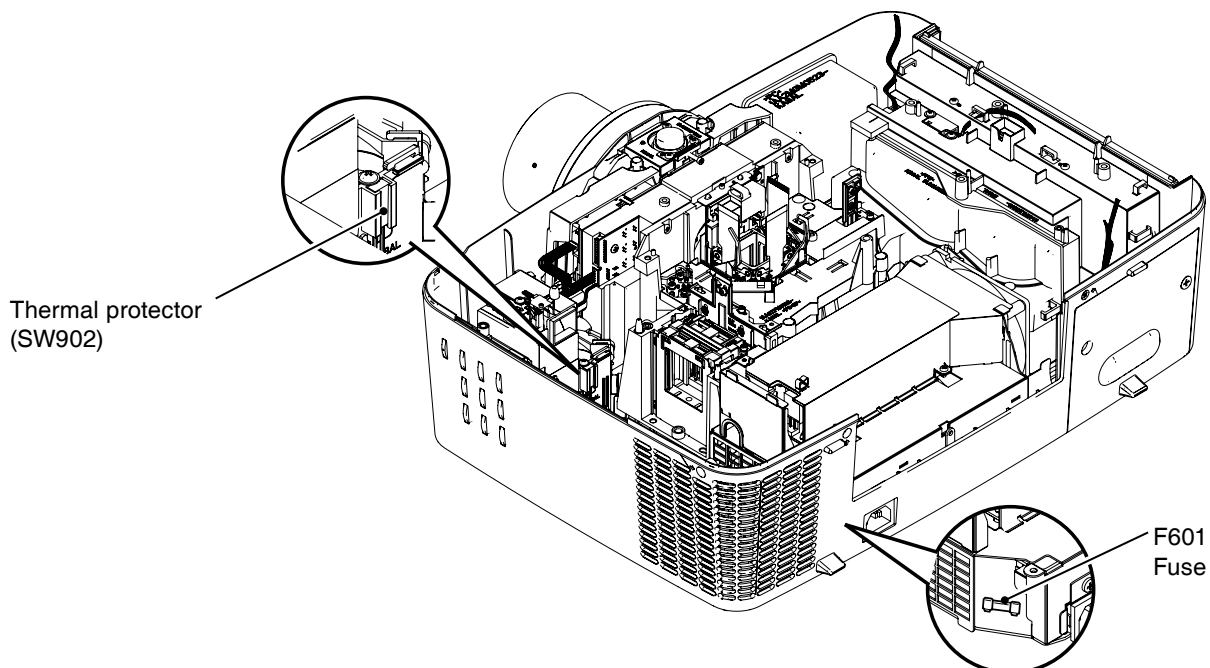
How to replace the fuse

1. The fuse is placed on the power board under the main board. Remove the cabinet top and exhaust fan assy.
2. Remove the fuse from fuse holder on the power board.

Thermal protectors (SW902)

There are the thermal protector (SW902) inside of the projector to detect the lamp surrounding temperature rising abnormally. When the temperature reaches near 115°C, the thermal protector cuts off the current supplied to the power supply circuit.

To reset the thermal protection function, disconnect the AC cord and leave the projector at the normal surrounding temperature for about 45 minutes. The thermal protectors will automatically reset when the internal temperature becomes normal (less than 75°C).

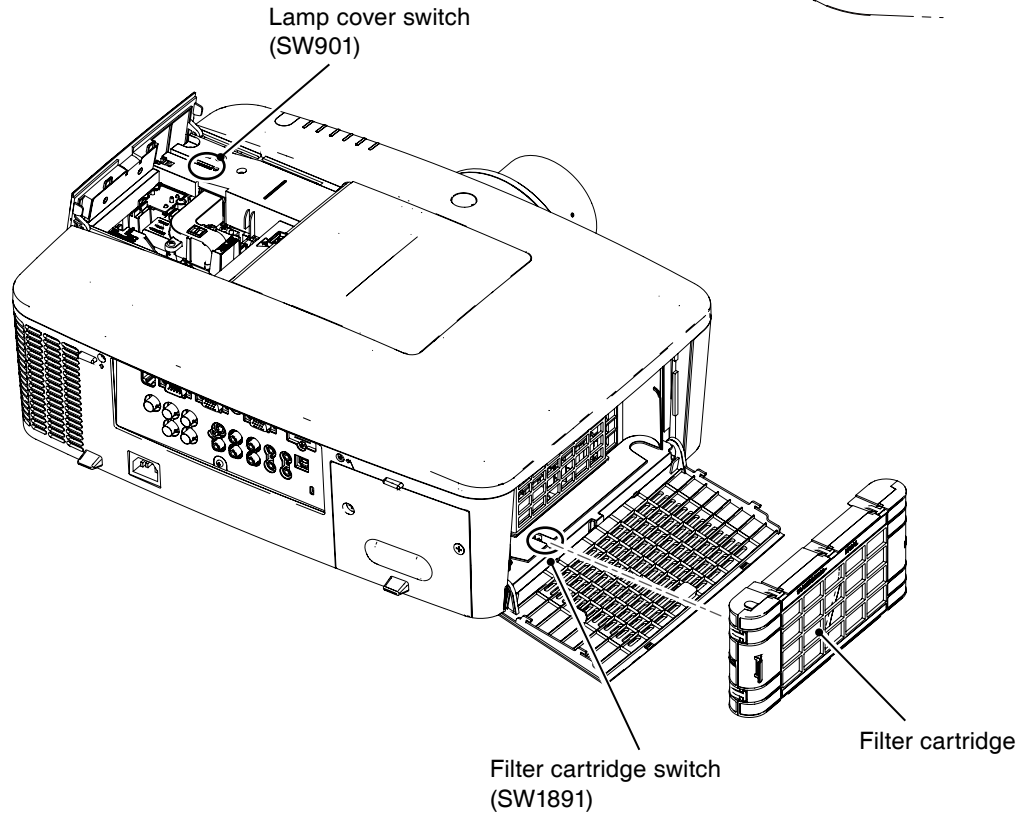
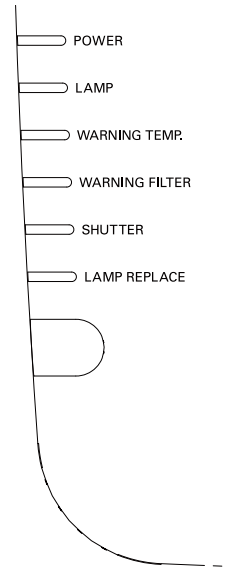


Mechanical sensor switches (SW901, SW1891)

This projector provides 2 mechanical sensor switches, the one is for filter cartridge switch (SW1891) and the other one is for lamp cover switch (SW901). The filter cartridge switch detects whether the filter cartridge is installed correctly. If the filter cartridge is not installed correctly, the projector cannot turn on. In this case, the LAMP indicator is lighting and other indicators are blinking.

The lamp cover switch detects whether the lamp cover is closed securely. If lamp cover is opened or not closed completely, the drive signal to the lamp circuit is cut off. After opening the lamp cover for replacing the lamp ass'y, place the lamp cover correctly otherwise the projector cannot turn on. In this case, the LAMP indicator is lighting and LAMP REPLACE indicator is blinking.

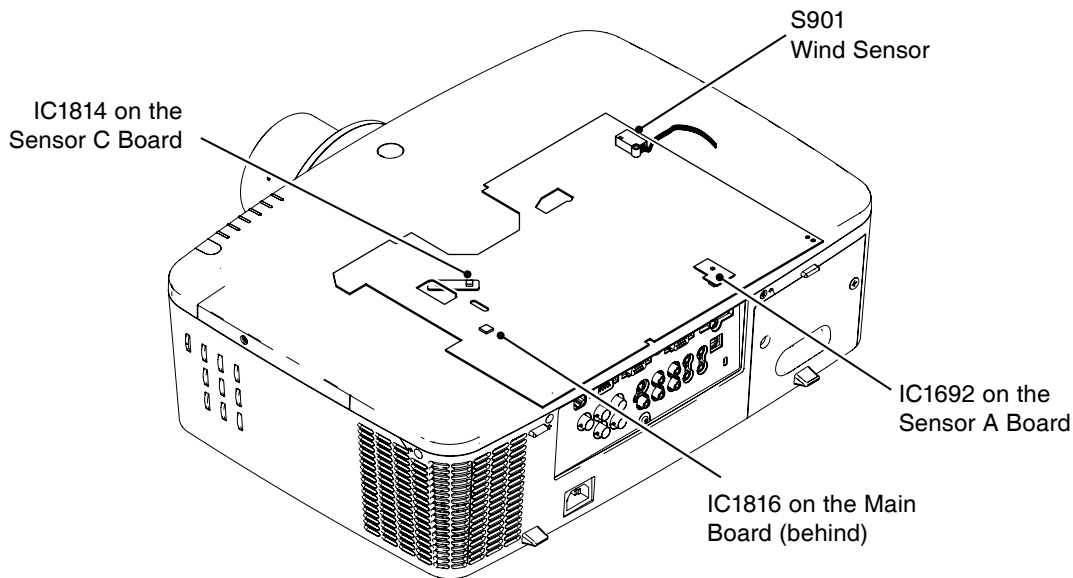
LED indicators



Temperature sensors, wind sensors

The projector provides 2 temperature sensor ICs, 1 thermistor, and 1 wind sensor on the intake duct. These devices are monitoring the surrounding temperature of the lamp, panel and intake duct, and the wind sensor is monitoring airflow passed through the air filter in the intake duct.

- Internal temperature sensor A (IC1692) (around the Intake duct)
- Internal temperature sensor B (IC1816) (around the lamp house)
- Internal temperature sensor C (IC1814) (around the panel/prism)
- Wind sensor (S901) (intake duct)



The projector is shut down and the WARNING TEMP. indicator is blinking red.

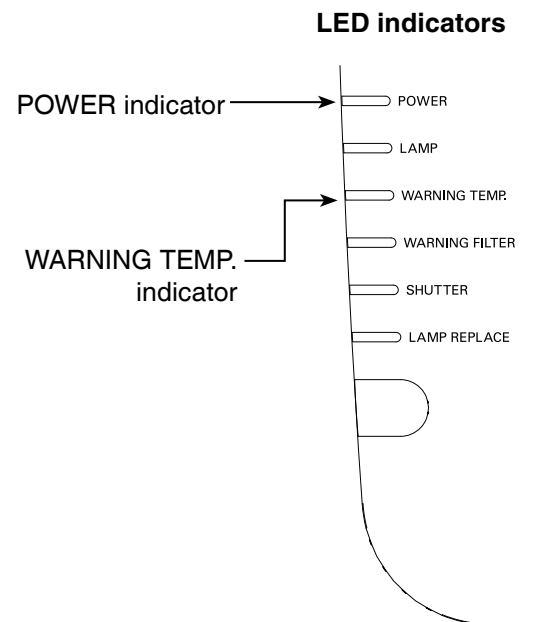
When the temperature inside the projector reaches a certain level, the WARNING TEMP. indicator starts blinking. If the temperature rises moreover, the projector will be automatically shut down to protect the inside of the projector, and the WARNING TEMP indicator is blinking fast and the POWER indicator is blinking. When the projector has cooled down enough (to its normal operating temperature), the POWER indicator stops blinking and it can be turned on again by pressing the ON/STAND-BY button.

✓**Note:**

- The WARNING TEMP. indicator continues to blink even after the temperature inside the projector returns to normal. When the projector is turned on again, the WARNING TEMP. indicator stops blinking.

Then check the matters below:

- Did you provide appropriate space for the projector to be ventilated? Check the installing condition to see if the air vents of the projector are not blocked.
- Has the projector been installed near an Air-Conditioning/ Heating Duct or Vent? Move the installation of the projector away from the duct or vent.
- Is the filter clean? Replace the filter with a new one.



Power failure and fan lock detection

The projector provides the detection circuits of the power failure and the fan lock. When the detection circuit detects an error at the power supply line or at the fan operation circuit, the projector will turn into the standby mode to protect the other circuits defective.

The projector is shut down and the LAMP indicator is lighting and other indicators are blinking.

When the projector detects an abnormal condition, it will be automatically shut down to protect the inside of the projector and the LAMP indicator lights on and other indicators blink. In this case, unplug the AC power cord and plug it, and then turn on the projector once again to verify operation. If the projector cannot be turned on and these indicators still lighting and blinking, it may operate the power failure protection function.

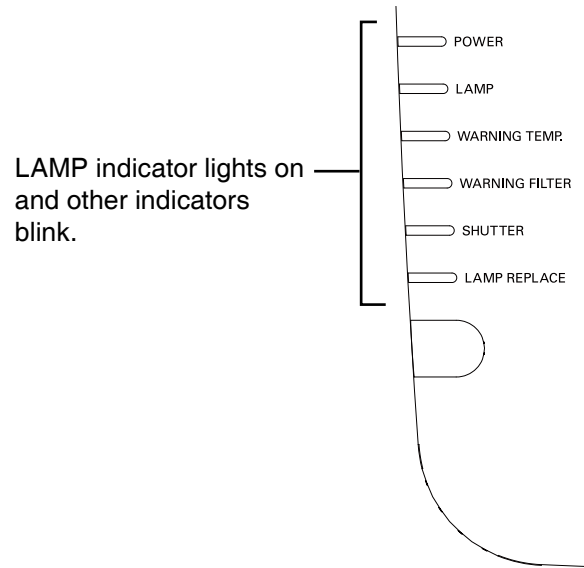
Check that the filter cartridge is installed correctly.



CAUTION

DO NOT LEAVE THE PROJECTOR WITH THE AC POWER CORD CONNECTED UNDER AN ABNORMAL CONDITION. IT MAY RESULT IN FIRE OR ELECTRIC SHOCK.

LED indicators



Maintenance

Replacing the Filter Cartridge

Filter prevents dust from accumulating on the optical elements inside the projector. Should the filter becomes clogged with dust particles, it will reduce cooling fans' effectiveness and may result in internal heat buildup and adversely affect the life of the projector. This projector has an electrically operated filter which helps you to replace the filter easily. The projector monitors the condition of the filter at all time and replaces a filter with a new one automatically when it detects the clogging.

If the projector detects that the filter is clogged and no scroll is left in the filter cartridge, a Filter cartridge replacement icon appears on the screen and the WARNING FILTER indicator on the top panel lights up. When you see this icon, replace the filter cartridge and reset the Filter counter and the Scroll counter.

- 1 Turn off the projector, and unplug the AC power cord from the AC outlet.
- 2 First, clean up the dust on the projector and around the air vents.
- 3 Press ▼ downwards on the filter cover to release the latch and open the filter cover.
- 4 Pull out the filter cartridge. When taking out the filter cartridge, put your finger on the filter cartridge's tab and then pull.
- 5 Put the new one back into the position and close the filter cover. Make sure that the filter cartridge is properly and fully inserted.
- 6 Connect the AC power cord to the projector and turn on the projector.
- 7 **Reset the filter counter and the scroll counter.** See next page.



CAUTION

Make sure the filter cartridge is inserted in the projector. If the filter cartridge is not inserted, the projector cannot be turned on. Make sure the filter cover is closed when using the projector. Do not put anything into the air vents. Doing so may result in malfunction of the projector.

RECOMMENDATION

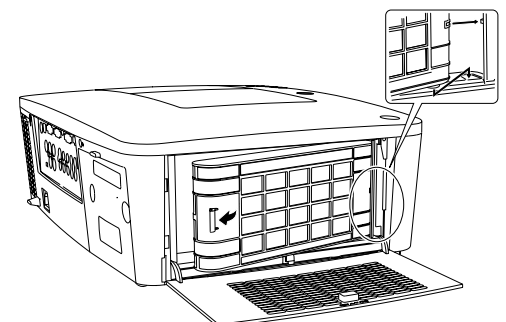
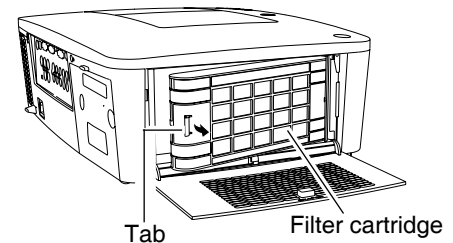
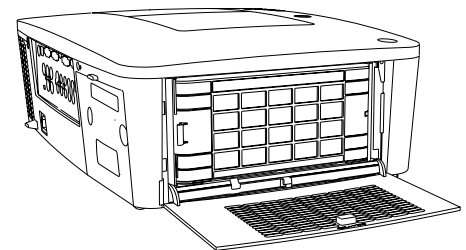
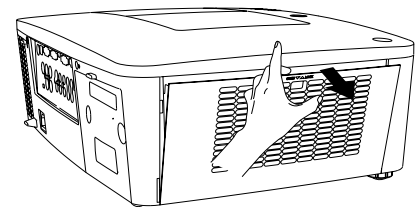
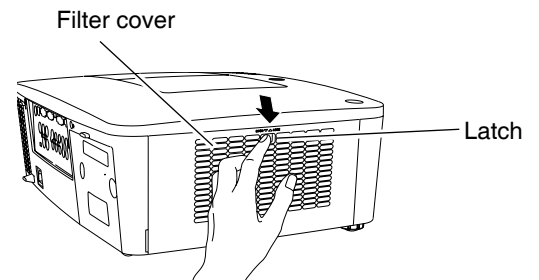
We recommend avoiding dusty/smoky environments when operating the projector. Usage in these environments may cause a poor image quality.

When using the projector under dusty or smoky conditions, dust may accumulate on a lens, liquid crystal panels, or optical elements inside the projector. Such condition may degrade the quality of the projected image.

When the symptoms above are noticed, contact your authorized dealer or service station for proper cleaning.

ORDER REPLACEMENT FILTER CARTRIDGE

Service Parts No.: 610 346 9034

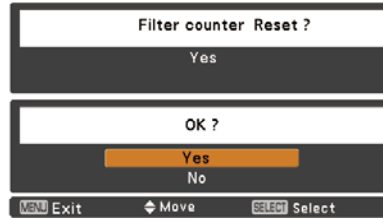
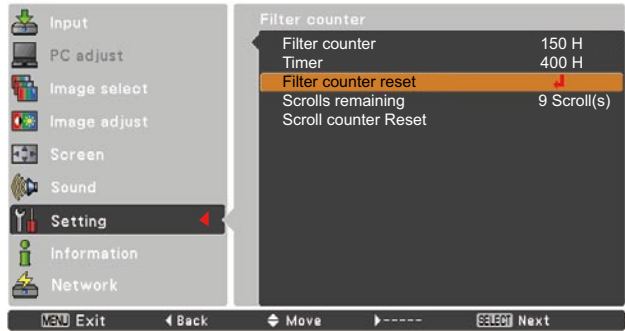


Resetting the Filter Counter

Be sure to reset the Filter counter after replacing the filter cartridge.

- 1 Press the MENU button to display the On-Screen Menu. Use the Point ▲▼ buttons to select **Setting** and then press the Point ► or the SELECT button
- 2 Use the Point ▲▼ buttons to select **Filter counter** and then press the SELECT button. Use the Point ▲▼ buttons to select **Filter counter Reset** and press the SELECT button. **Filter counter Reset?** appears. Select [Yes] to continue.
- 3 Another confirmation dialog box appears, select [Yes] to reset the Filter counter.

Filter counter



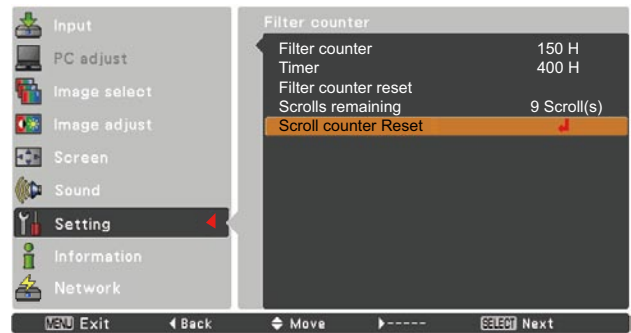
Filter counter Reset? appears. Select **Yes**, then another confirmation box appears. Select **Yes** again to reset the Filter counter.

Resetting the Scroll Counter

Be sure to reset the Scroll counter after replacing the filter cartridge.

- 1 Press the MENU button to display the On-Screen Menu. Use the Point ▲▼ buttons to select **Setting** and then press the Point ► or the SELECT button
- 2 Use the Point ▲▼ buttons to select **Filter counter** and then press the SELECT button. Use the Point ▲▼ buttons to select **Scroll counter Reset** and press the SELECT button. **Scroll counter Reset?** appears. Select [Yes] to continue.
- 3 Another confirmation dialog box appears, select [Yes] to reset the Scroll counter.

Scroll counter



Scroll counter Reset? appears. Select **Yes**, then another confirmation box appears. Select **Yes** again to reset the Scroll counter.

Lamp Replacement

When the projection lamp of the projector reaches its end of life, the Lamp replacement icon appears on the screen and LAMP REPLACE indicator lights. Replace the lamp with a new one promptly. The timing when the LAMP REPLACE indicator should light is depending on the lamp mode.

Note:

The Lamp replacement icon will not appear when the Display function is set to “Off”, or during “Freeze”.

Follow these steps to replace the lamp.

- 1** Turn off the projector and unplug the AC power cord. Let the projector cool for at least 45 minutes.
- 2** Loosen the screw and slide the lamp cover to open it.
- 3** Loosen 3 screws of the lamp and pull out the lamp by using the built in handle.
- 4** Replace the lamp with a new one. Make sure that the lamp is properly and fully inserted.
- 5** Close the lamp cover and secure the screw.

⚠ CAUTION

When replacing the lamp because it has stopped illuminating, there is a possibility that the lamp maybe broken. If replacing the lamp of a projector which has been installed on the ceiling, you should always assume that the lamp is broken, and you should stand to the side of the lamp cover, not underneath it. Remove the lamp cover gently. Small pieces of glass may fall out when the lamp cover is opened. If pieces of glass get into your eyes or mouth, seek medical advice immediately.

For continued safety, replace with a lamp of the same type lamp. Do not drop the lamp or touch the glass bulb! The glass can shatter and may cause injury.

🚫 CAUTION

Allow a projector to cool for at least 45 minutes before you open the Lamp cover. The inside of the projector can become very hot.

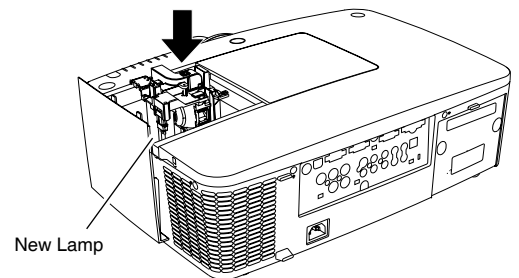
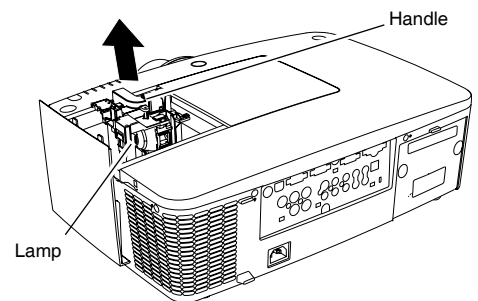
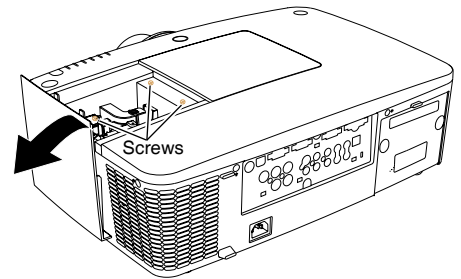
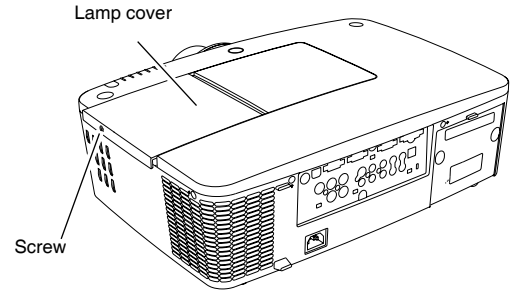
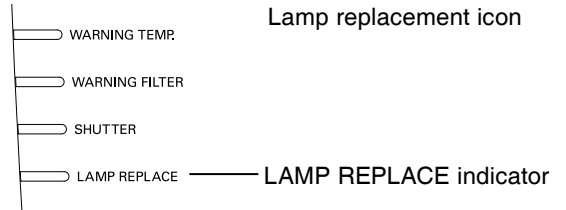
ORDER REPLACEMENT LAMP

Model	LC-WXL200
Type No.	POA-LMP136
Service Parts No.	610 346 9607

Top Panel



Lamp replacement icon



How to check Lamp Used Time

The LAMP REPLACE indicator will light yellow when the total lamp used time (Corresponding value) reaches 3,000 hours. This is to indicate that lamp replacement is required.

The total lamp used time is calculated by using the below expression,

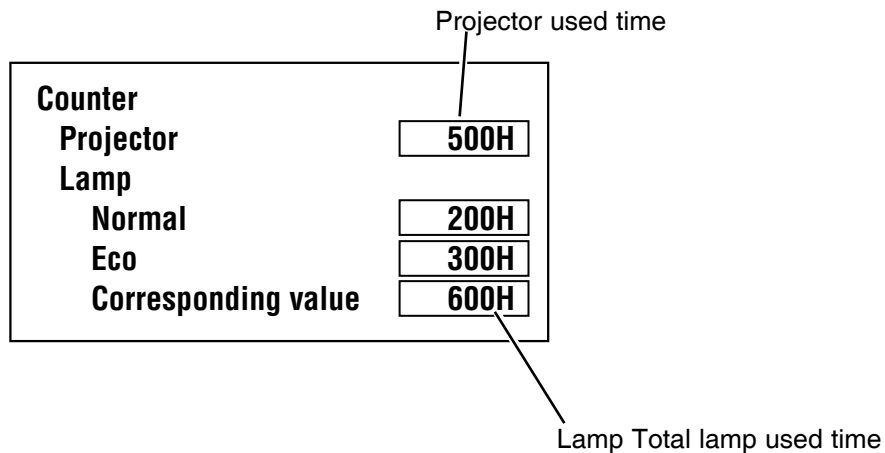
Total lamp used time (Corresponding value) = $T_{eco} + T_{normal} \times 1.5$

T_{eco} : used time in the Eco1 and Eco2 mode

T_{normal} : used time in the Normal mode and Auto mode

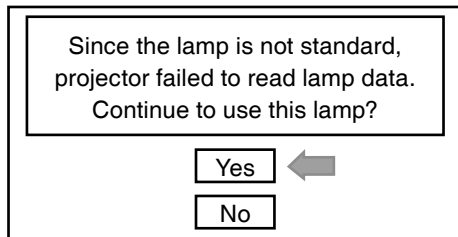
You can check the lamp used time following to the below procedure.

- 1 Press and hold the **ON/STAND-BY** button on the projector or the **ON** button on the remote control for more than 20 seconds.
- 2 The projector used time and lamp used time will be displayed on the screen briefly as follows.



Warning Message on the non-standard lamp used

If the non-standard lamp is used, the warning and confirmation messages will appear on the screen every startup. Some of the functions are limited when the non-standard lamp is used in spite of the warning.



Quick maintenance

This projector provides a cabinet prism cover on the cabinet top to enhance the service maintenance. This enables service personnel to align the optical adjustment or replace the optical parts without disassembly the cabinet top.

- 1** Loosen a screw-A on the lamp cover and slide it to open (Fig. 1).
- 2** Loosen a screw-B on the prism cover and slide it in the arrow direction (Fig. 2).
- 3** Loosen a screw-C and take the shutter assembly off (Fig. 3).
- 4** Loosen 3 screws-D and take the LCD Panel/Prism ass'y upward off (Fig. 4/Fig. 6).
- 5** Remove 2 screws-E on each stopper of the polarized glass ass'y and take the polarized glass ass'y upward off (Fig. 5/Fig. 6).

See chapter "Optical Parts Disassembly" for further information of the optical parts disassembly.

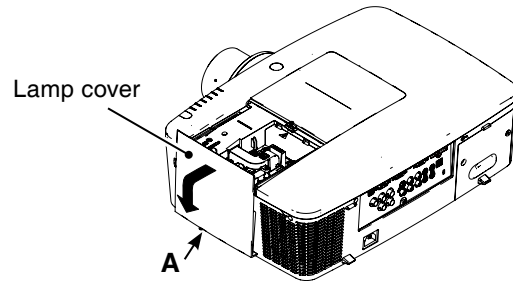


Fig. 1

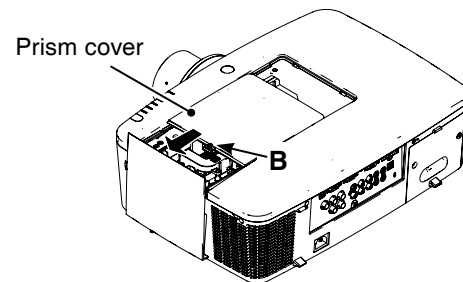


Fig. 2

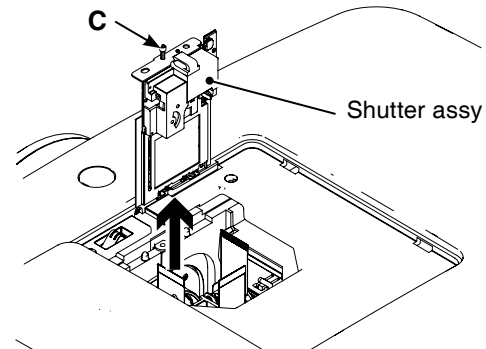


Fig. 3

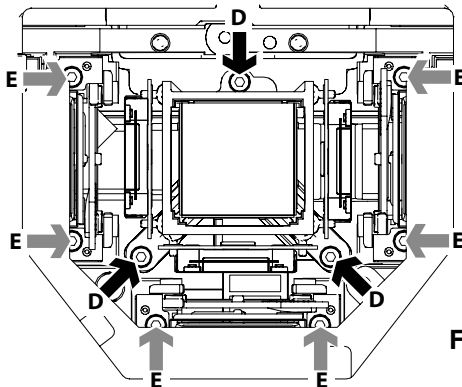
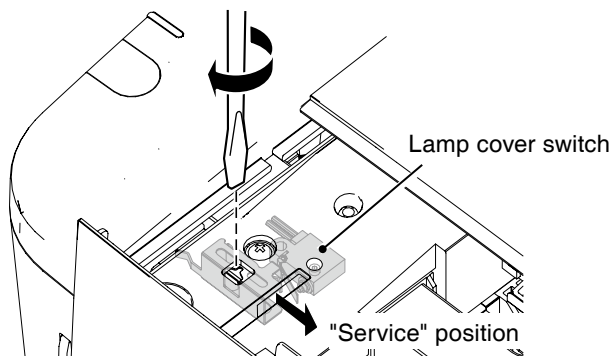


Fig. 6

Setting the Lamp Cover switch to "Service"

When aligning the optical parts with the lamp cover open, the projector cannot be turned on because the lamp cover switch is off. Insert the flat screw driver into the opening on the switch and set the lamp cover switch to "service" position as shown in the figure below.



After finishing the alignment, make sure that the lamp cover switch is reset to its original position, and close the prism cover and lamp cover securely.

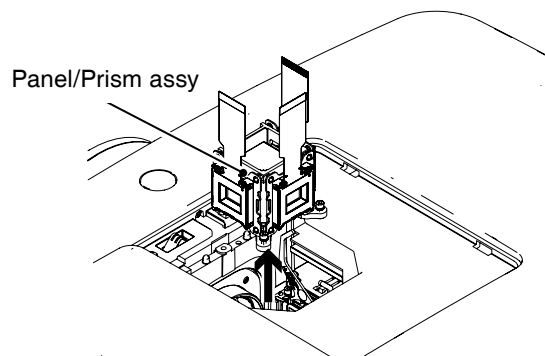


Fig. 4

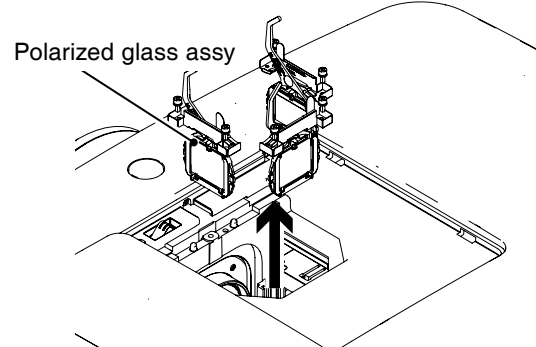


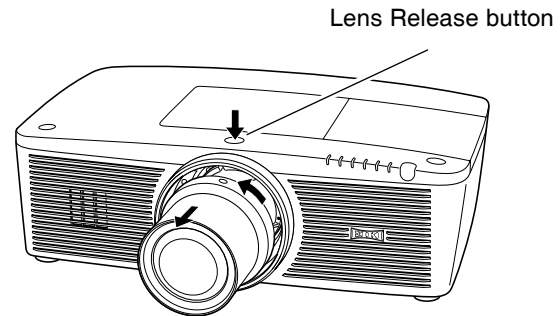
Fig. 5

Lens Installation

When replacing the lens or using an optional lens, install the lens by following the instructions below.

Removing the lens

- 1** Shift the lens to the center position by using the Lens shift function.
- 2** Turn off the projector and unplug the AC power cord.
- 3** While pressing the Lens release button on the top of the cabinet, turn the lens counterclockwise until it stops and pull it out slowly from the projector.

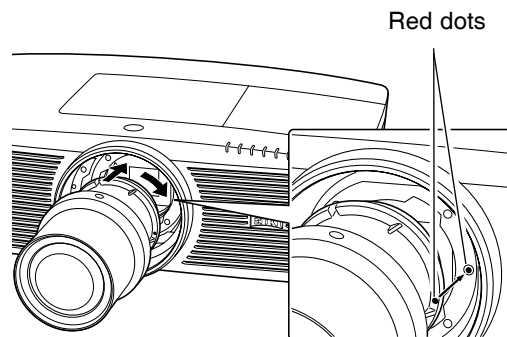


CAUTION

Be careful when handling the lens. Do not drop.

Attaching the lens to the projector

- 1** Remove the lens mount cover.
- 2** Fit the lens to the projector by aligning the red dot on the lens with the red dot of the projector.
- 3** Slowly turn the lens clockwise until it clicks. Make sure that the lens is fully inserted to the projector.



CAUTION

Do not press the lens release button when attaching the lens.

Using the Lens Antitheft screw

This projector provides a Lens antitheft screw to protect the projection lens stolen from a suspicious person. Mount the Lens antitheft screw by following the instructions below.

Mounting the Lens antitheft screw

- 1** Loosen a screw-A on the lamp cover and slide it to open (Fig. 1).
- 2** Loosen a screw-B on the prism cover and slide it in the arrow direction (Fig. 2).
- 3** Insert the Lens antitheft screw onto the screw hole on the cabinet top and turn it until the lens release button is locked (Fig. 3).
- 4** Close the prism cover and tighten the screw-B, and close the lamp cover and tighten the screw-A.

Check that the lens release button is locked to protect the projection lens removing.

Note: Be careful not to drop the Lens Antitheft screw into the opening of the projector when mounting the screw.

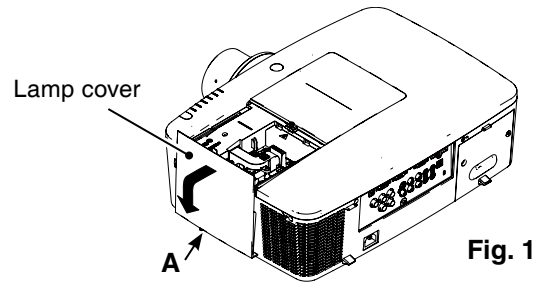


Fig. 1

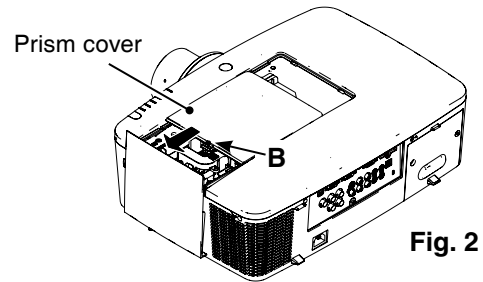


Fig. 2

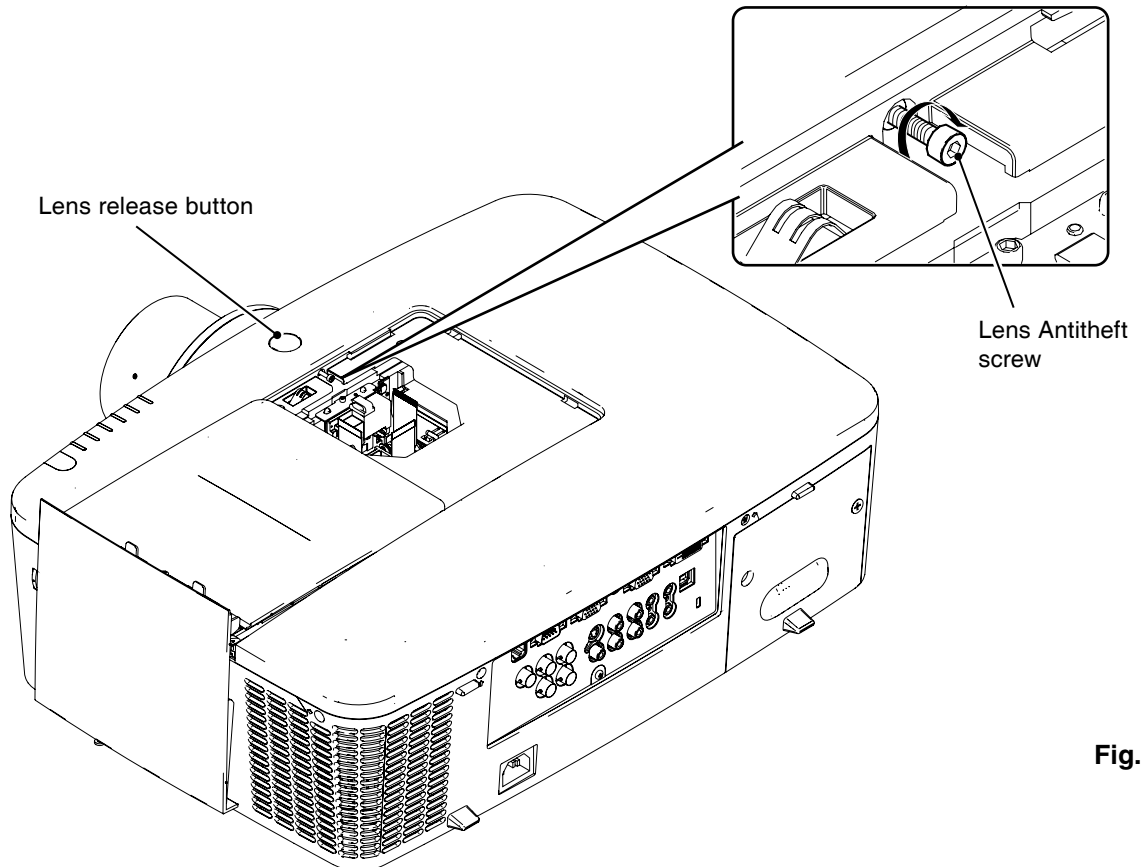


Fig. 3

Maintenance

Cleaning

After long periods of use, dust and other particles will accumulate on the LCD panel, prism, mirror, polarized glass, lens, etc., causing the picture to darken or color to blur. If this occurs, clean the inside of optical unit. Remove dust and other particles using air spray. If dirt cannot be removed by air spray, disassemble and clean the optical unit.

Cleaning with air spray

Remove the cabinet top following to “Mechanical Disassembly”. Clean up the LCD panel and polarizing plate by using the air spray from the cabinet top opening.

Caution:

Use a commercial (inert gas) air spray designed for cleaning camera and computer equipment. Use a resin-based nozzle only. Be very careful not to damage optical parts with the nozzle tip. Never use any kind of cleanser on the unit. Also, never use abrasive materials on the unit as this may cause irreparable damage.

Disassembly Cleaning

Disassembly cleaning method should only be performed when the unit is considerable dirty and cannot be sufficiently cleaned by air spraying alone.

Be sure to readjust the optical system after performing disassembly cleaning.

1. Remove the cabinet top and main units following to “Mechanical Disassembly”.
2. Remove the optical base top following to “Optical Unit Disassembly”. If the LCD panel needs cleaning, remove the LCD panel unit following to “LCD panel replacement”.
3. Clean the optical parts with a soft cloth. Clean extremely dirty areas using a cloth moistened with alcohol.

Caution:

The surface of the optical components consists of multiple dielectric layers with varying degrees of refraction. Never use organic solvents (thinner, etc.) or any kind of cleanser on these components.

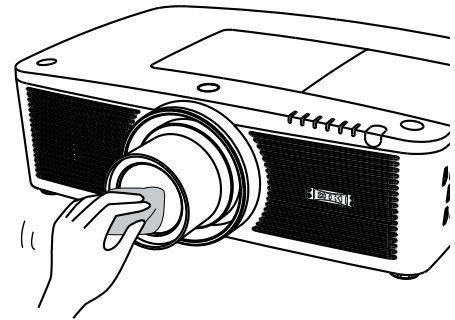
Since the LCD panel is equipped with an electronic circuit, never use any liquids (water, etc.) to clean the unit. Use of liquid may cause the unit to malfunction.

Cleaning the Projection Lens

Unplug the AC power cord before cleaning.

Gently wipe the projection lens with a cleaning cloth that contains a small amount of non-abrasive camera lens cleaner, or use a lens cleaning paper or commercially available air blower to clean the lens.

Avoid using an excessive amount of cleaner. Abrasive cleaners, solvents, or other harsh chemicals might scratch the surface of the lens.

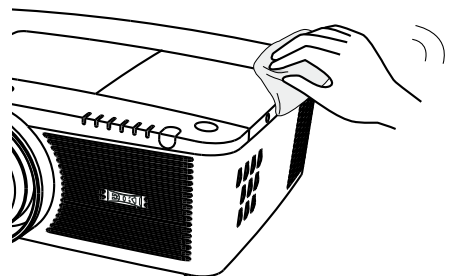


Cleaning the Projector Cabinet

Unplug the AC power cord before cleaning.

Gently wipe the projector body with a soft dry cleaning cloth. When the cabinet is heavily soiled, use a small amount of mild detergent and finish with a soft dry cleaning cloth. Avoid using an excessive amount of cleaner. Abrasive cleaners, solvents, or other harsh chemicals might scratch the surface of the cabinet.

When the projector is not in use, put the projector in an appropriate carrying case to protect from dust and scratches.



Security Function Notice

This projector provides security functions such as "Key lock", "PIN code lock" and "Logo PIN code lock". When the projector has set these security function on, you are required to enter correct PIN code to use the projector. If you do not know the correct PIN code to the projector, the projector can no longer be operated or started. In this case, you must reset those function first according to the resetting procedure described below and then check up on the projector.

Function	Description
Key lock	Locks operation of the side control or the remote control. If the Key lock is enabled with side control lock, the projector can no longer be started. <i>Initial setting: Key lock function is disabled</i>
PIN code lock	Prevents the projector from being operated by an unauthorized person. <i>Initial code: "1234"</i>
Logo PIN code lock	Prevents an unauthorized person for changing the start-up logo on the screen. <i>Initial code: "4321"</i>

Resetting procedure

- 1 Disconnect the AC power cord from the AC outlet.
- 2 As pressing the **SELECT** button, connect the AC power cord into an AC outlet again.
- 3 Keep pressing the **SELECT** button and then press the **ON/STAND-BY** button.
- 4 Release the **ON/STAND-BY** button first and then release the **SELECT** button.
 - The PIN code lock and Logo PIN code lock will be reset as the initial PIN code at the factory and the Key lock function is disabled.

Please refer to the owner's manual for further information of the security functions.


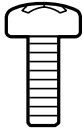
Mechanical Disassembly

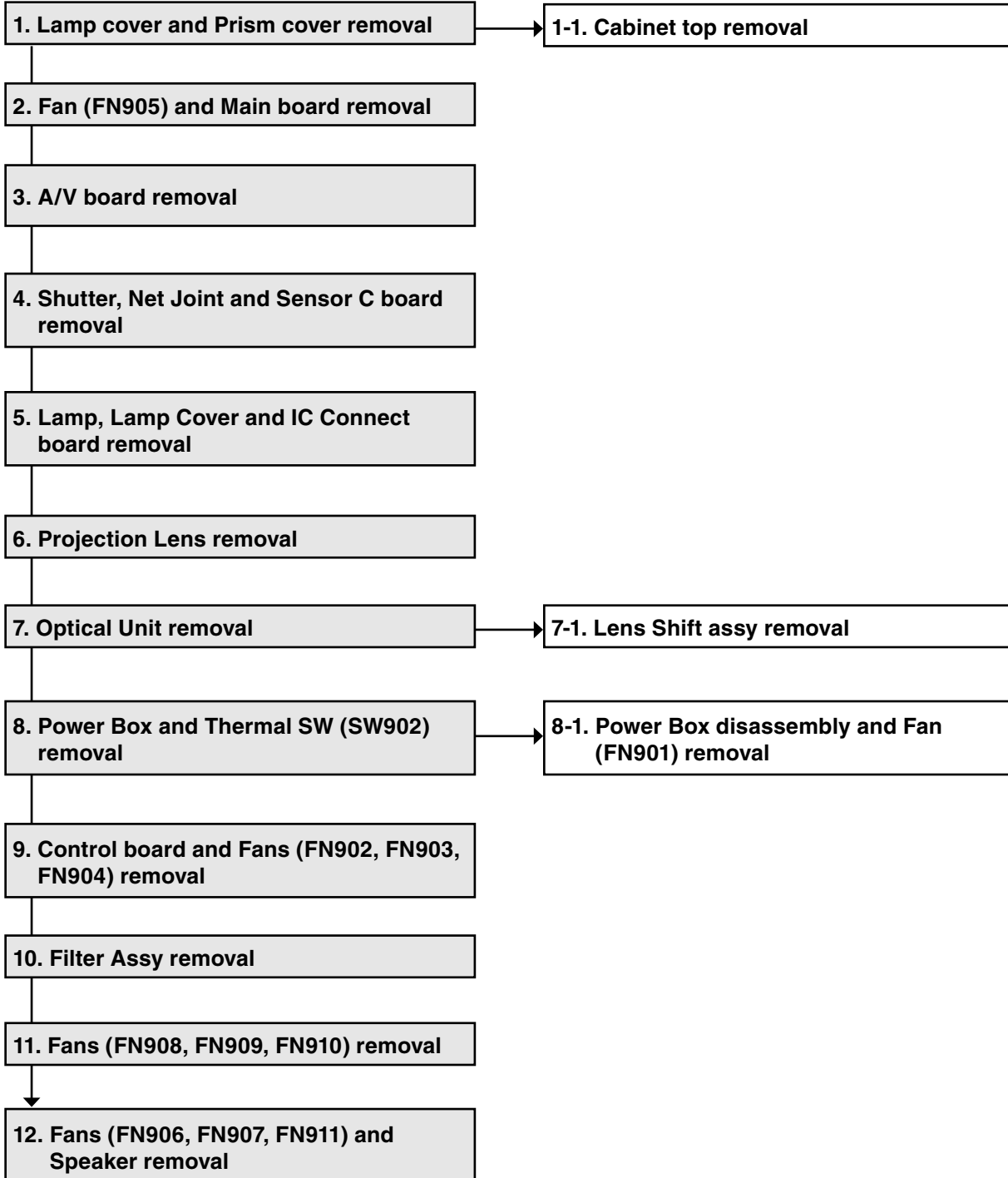
Mechanical disassembly flow chart

Mechanical disassembly should be made by following procedures chart. Following steps show the basic procedures, therefore unnecessary step may be ignored.

Caution:

The parts and screws, and the wiring method of the leads and ferrite cores should be placed exactly the same position as the original otherwise it may cause loss of performance and product safety.

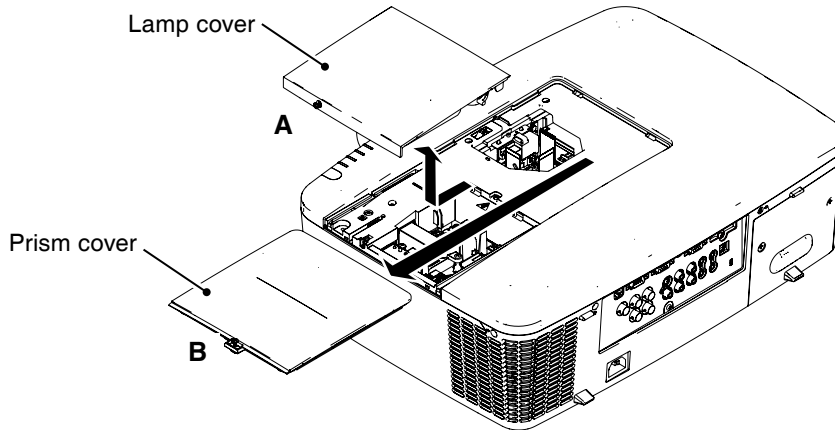
Screws Expression (Type Diameter x Length) mm	
T type	M Type
	



Mechanical disassembly

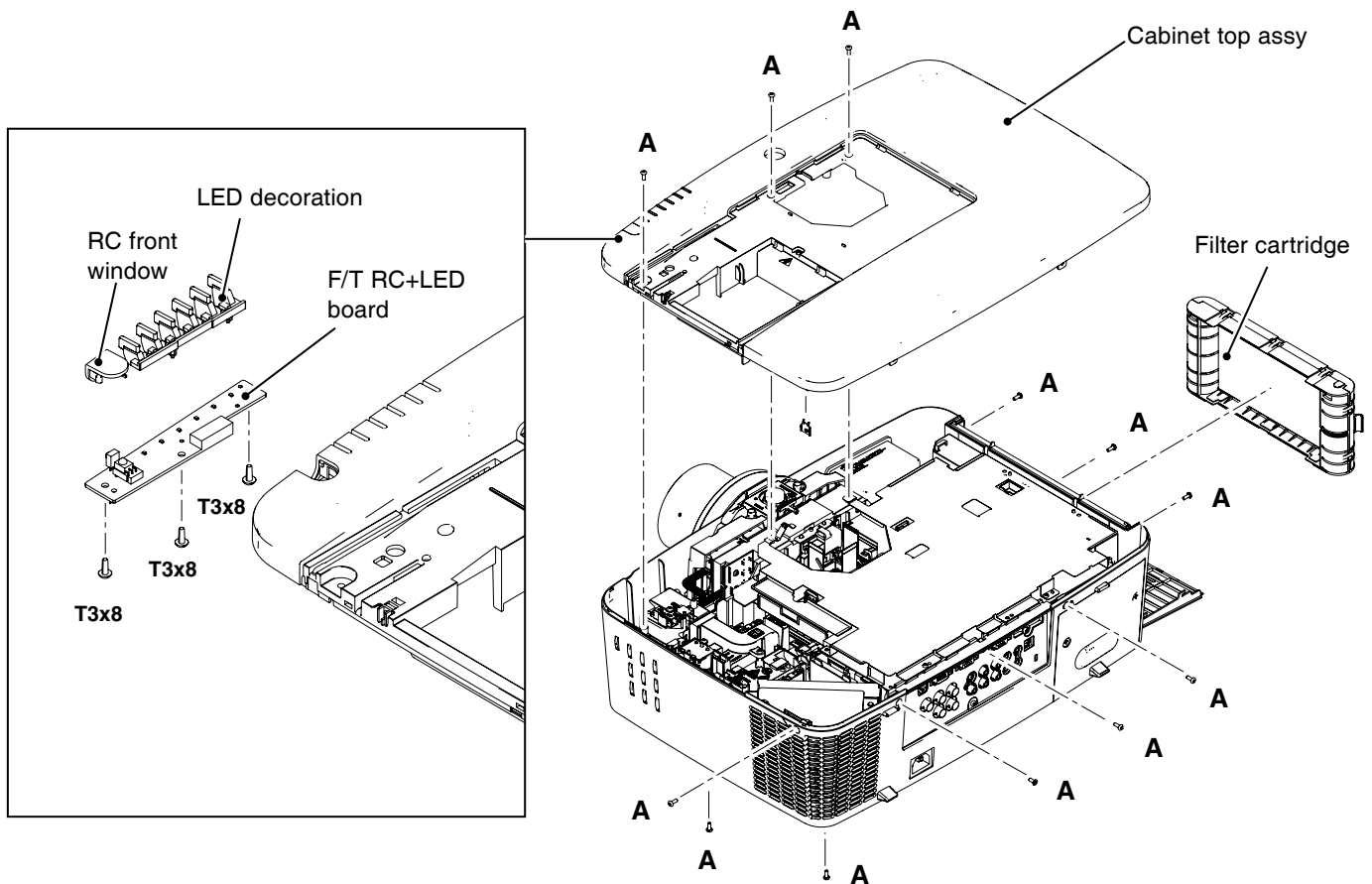
1. Lamp cover and Prism cover removal

1. Loosen 1 screw-A and remove the Lamp cover upward off.
2. Loosen 1 screw-B and remove the Prism cover by sliding it in the arrow direction.



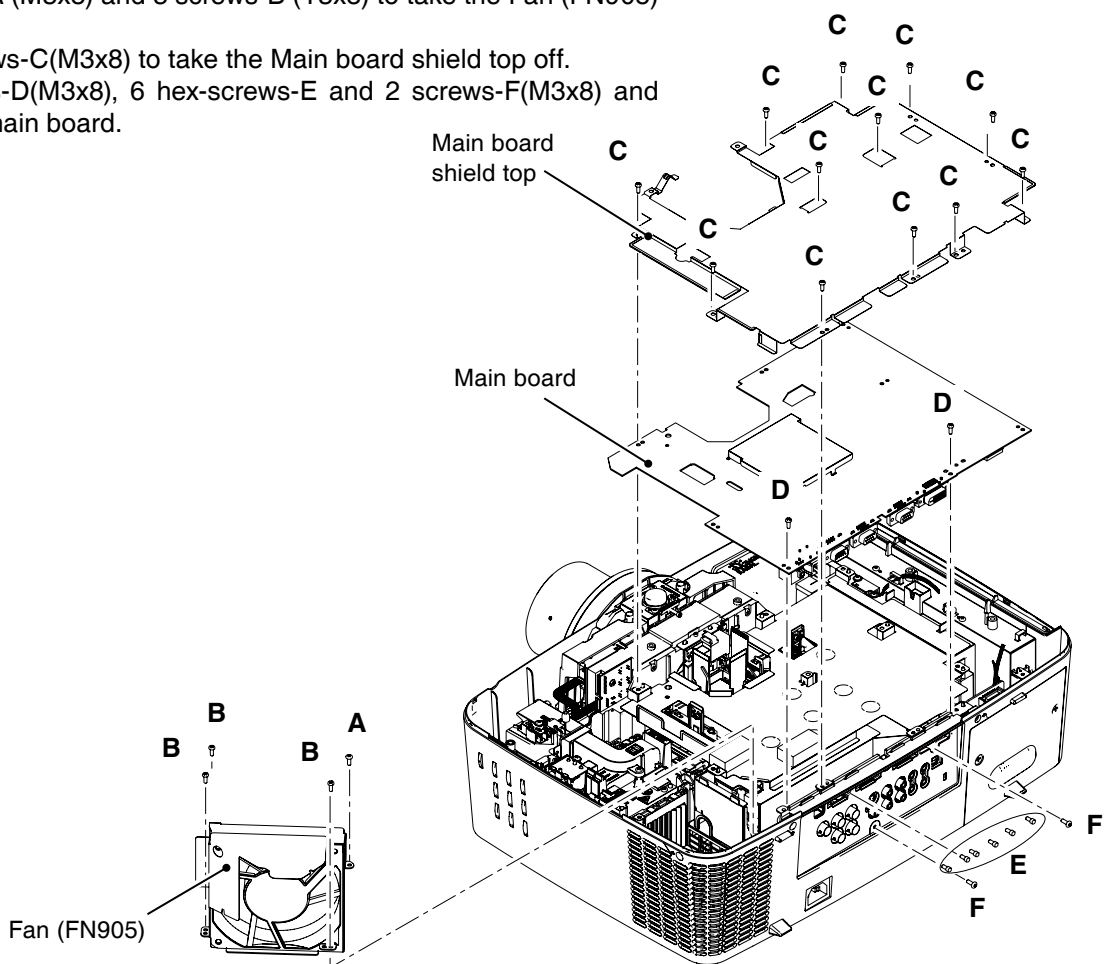
1-1. Cabinet top removal

1. Open the filter cover and remove the filter cartridge.
2. Remove 12 screws-A (M3x8) and then take the Cabinet Top Assy upward off.



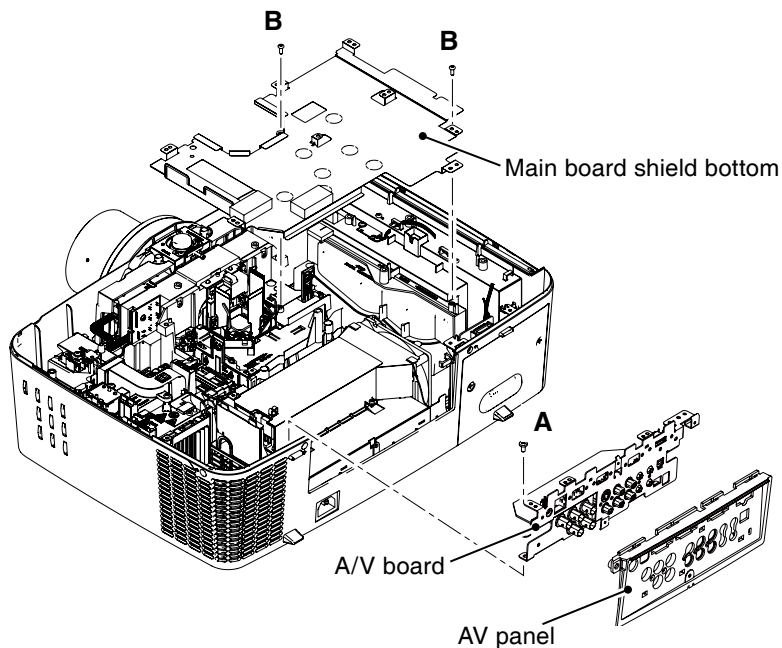
2. Fan (FN905) and Main board removal

1. Remove 1 screw-A (M3x8) and 3 screws-B (T3x8) to take the Fan (FN905) upward off.
2. Remove 12 screws-C(M3x8) to take the Main board shield top off.
3. Remove 2 screws-D(M3x8), 6 hex-screws-E and 2 screws-F(M3x8) and then remove the main board.



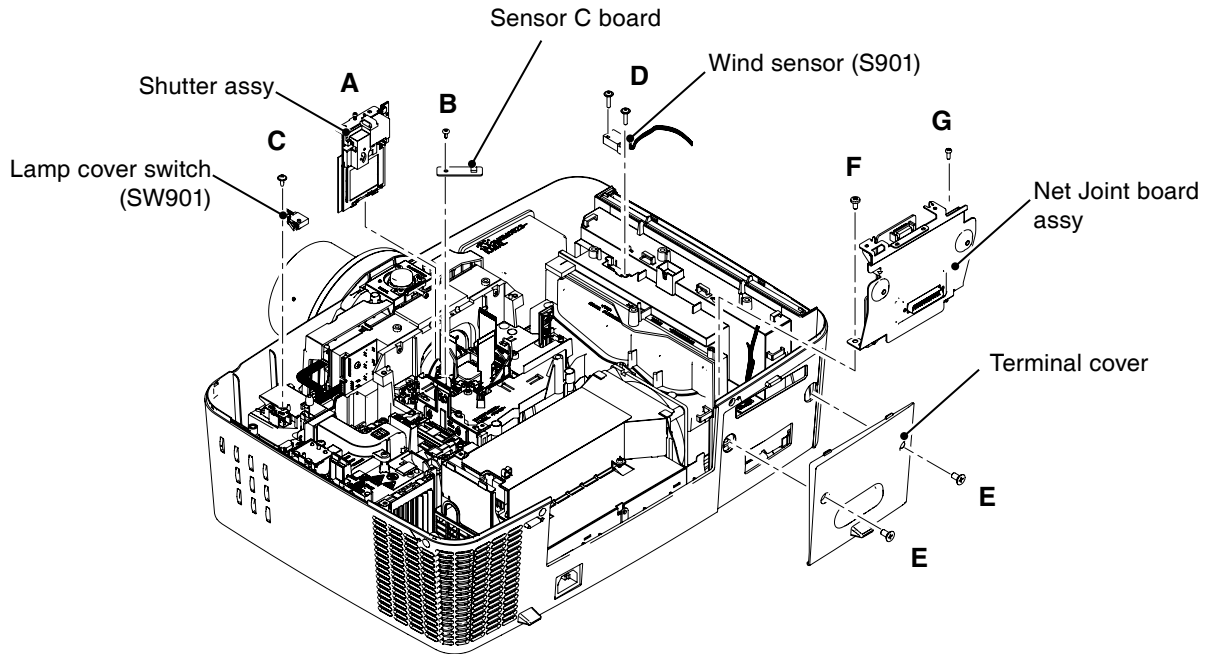
3. A/V board removal

1. Remove 1 screw-A (M4x8) and pull the A/V board assy upward.
2. Remove 2 screws-B (T3x8) to take the Main board shield bottom.



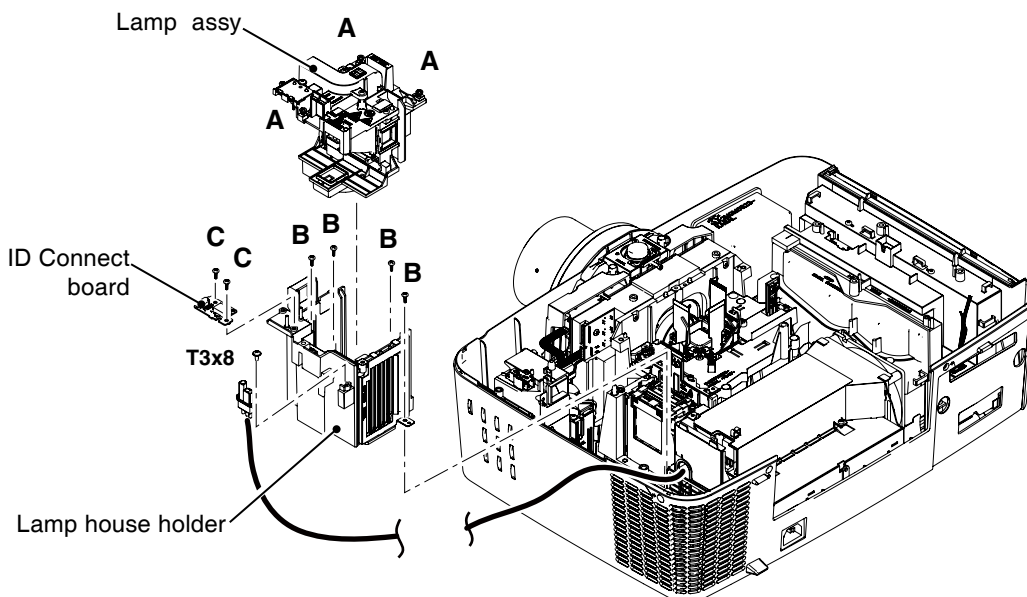
4. Shutter, Net Joint and Sensor C board removal

1. Loosen 1 screw-A and pull the shutter assy upward.
2. Remove 1 screw-B (T3x6) to take the Sensor C board off.
3. Remove 1 screw-C (T3x8) to take the Lamp Cover Switch (SW901) off.
4. Remove 2 screws-D (T3x14) to take the Wind Sensor (S901) off.
5. Remove 2 screws-E (M5x10) to take the Terminal Cover off, and remove 1 screw-F (M4x8) and 1 screw-G (M3x8) and then pull the Net Joint board assy upward.



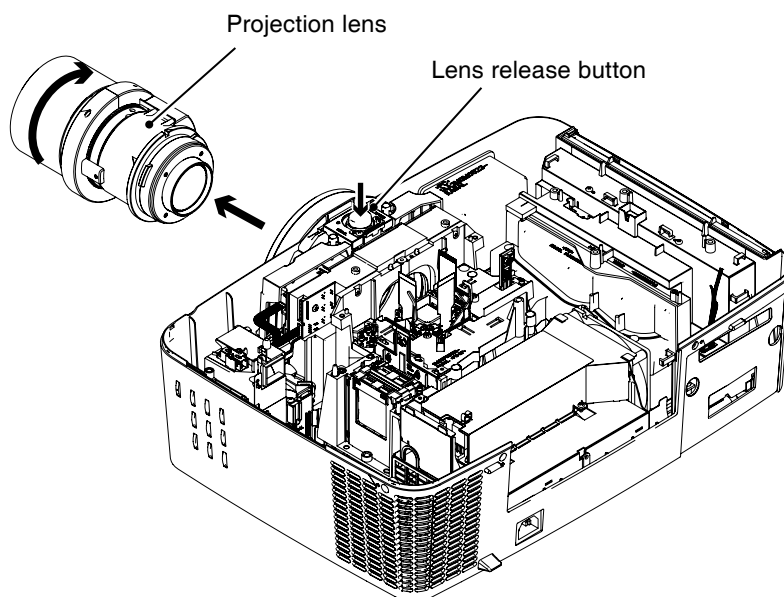
5. Lamp, Lamp Cover and IC Connect board removal

1. Loosen 3 screws-A and pull the Lamp assy upward.
2. Remove 4 screws-B (T3x8) to take the Lamp house holder upward off.
3. Remove 2 screws-C (T3x8) to take the ID Connect board.



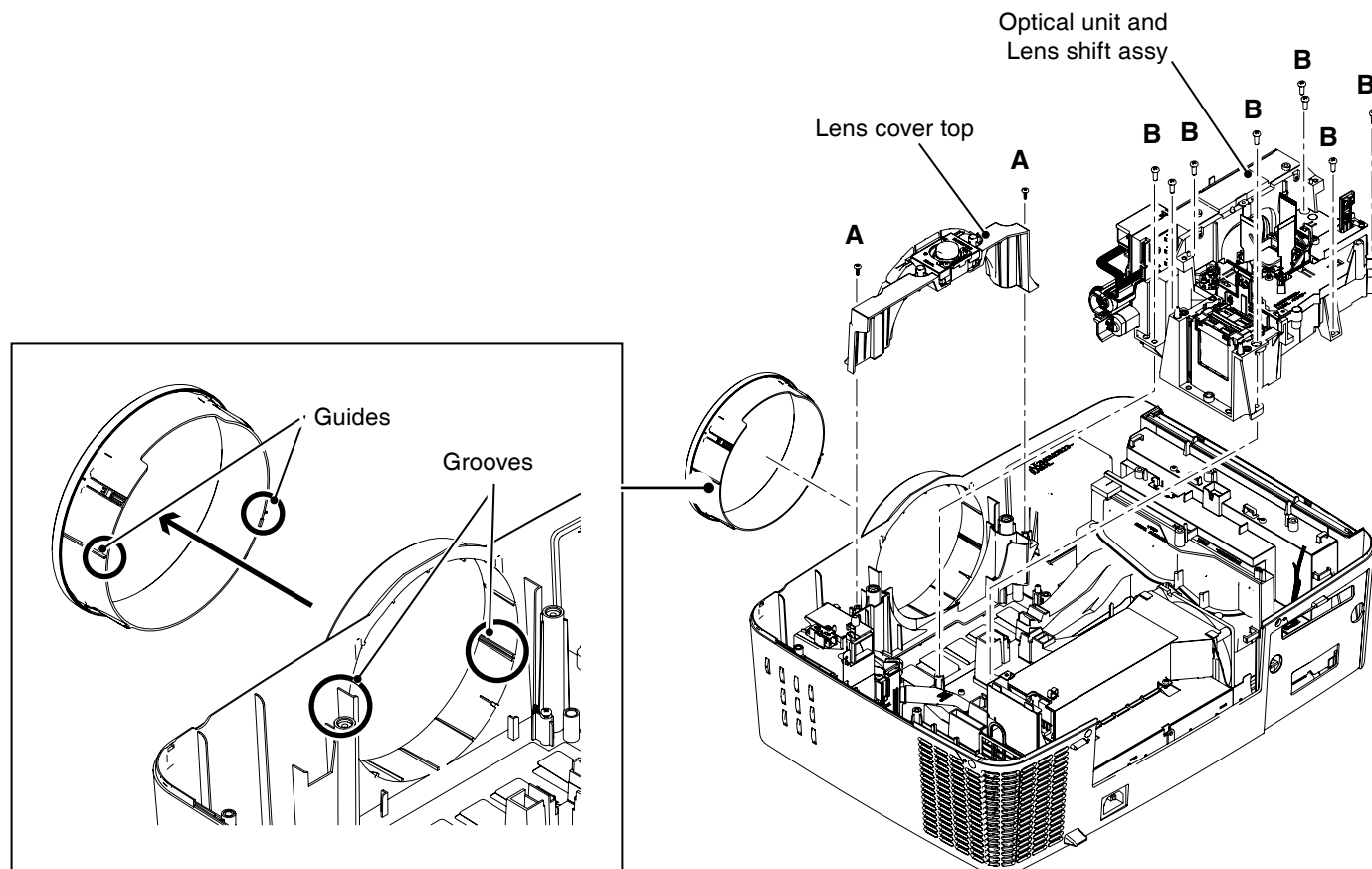
6. Projection Lens removal

1. Press and hold the Lens release button and turn the Projection Lens counterclockwise until it stops and put it out slowly.



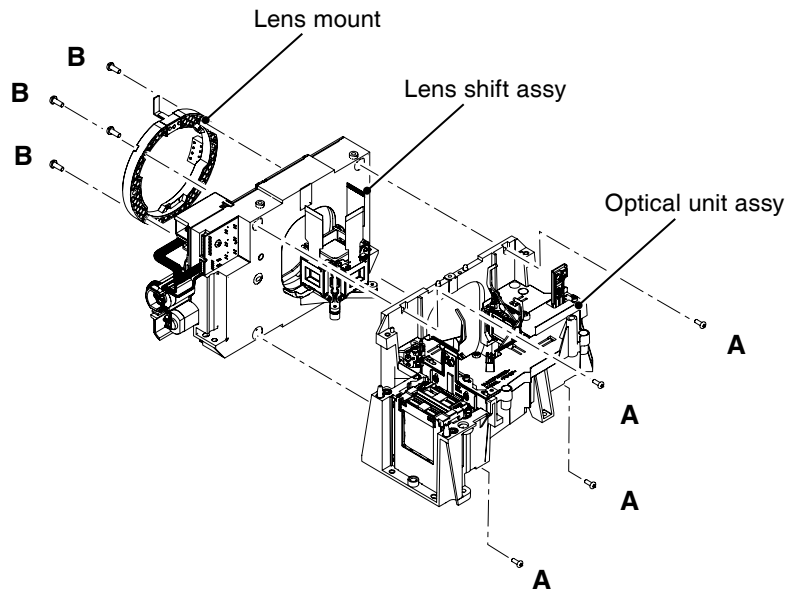
7. Optical Unit removal

1. Remove 2 screws-A (T3x8) to take the Lens Cover Top upward off.
2. Remove 8 screws-B (M4x10) and remove the Optical Unit assy and Lens Shift assy.
3. Remove the Front Ring Cover by pressing it from back.



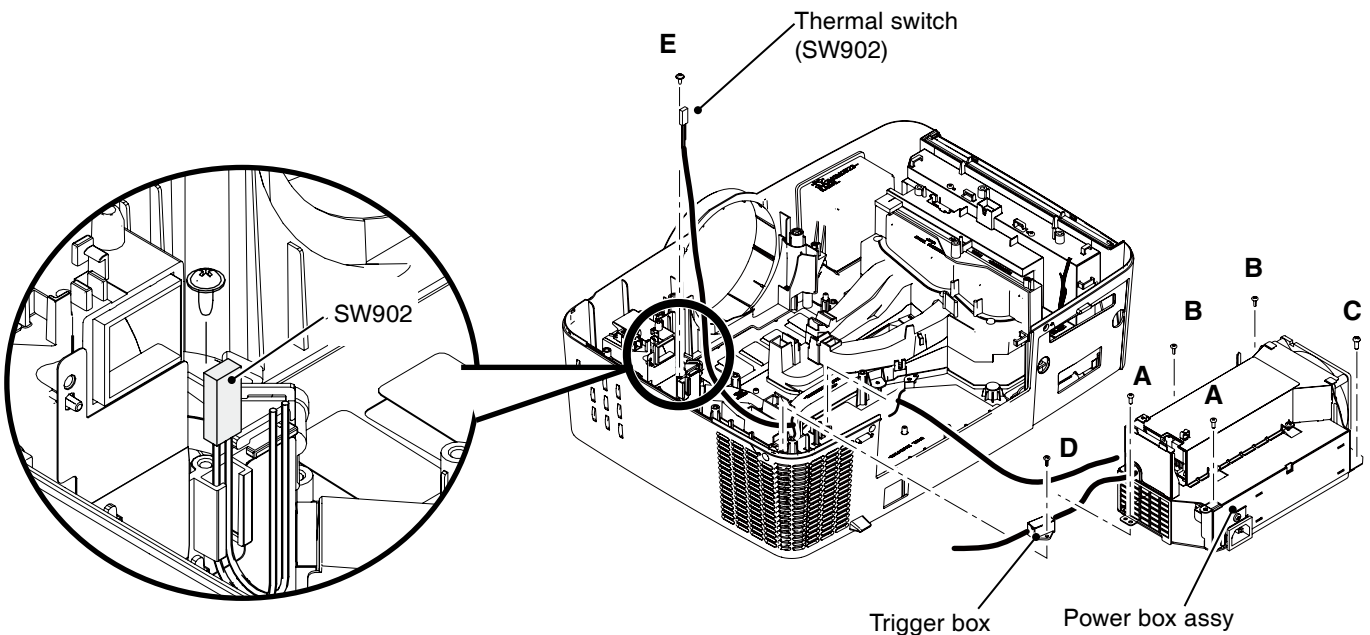
7-1. Lens Shift assy removal

1. Remove 4 screws-A (M3x8) to take the Lens Shift assy off.
2. Remove 4 screws-B (M3x14) to take the Lens Mount off.



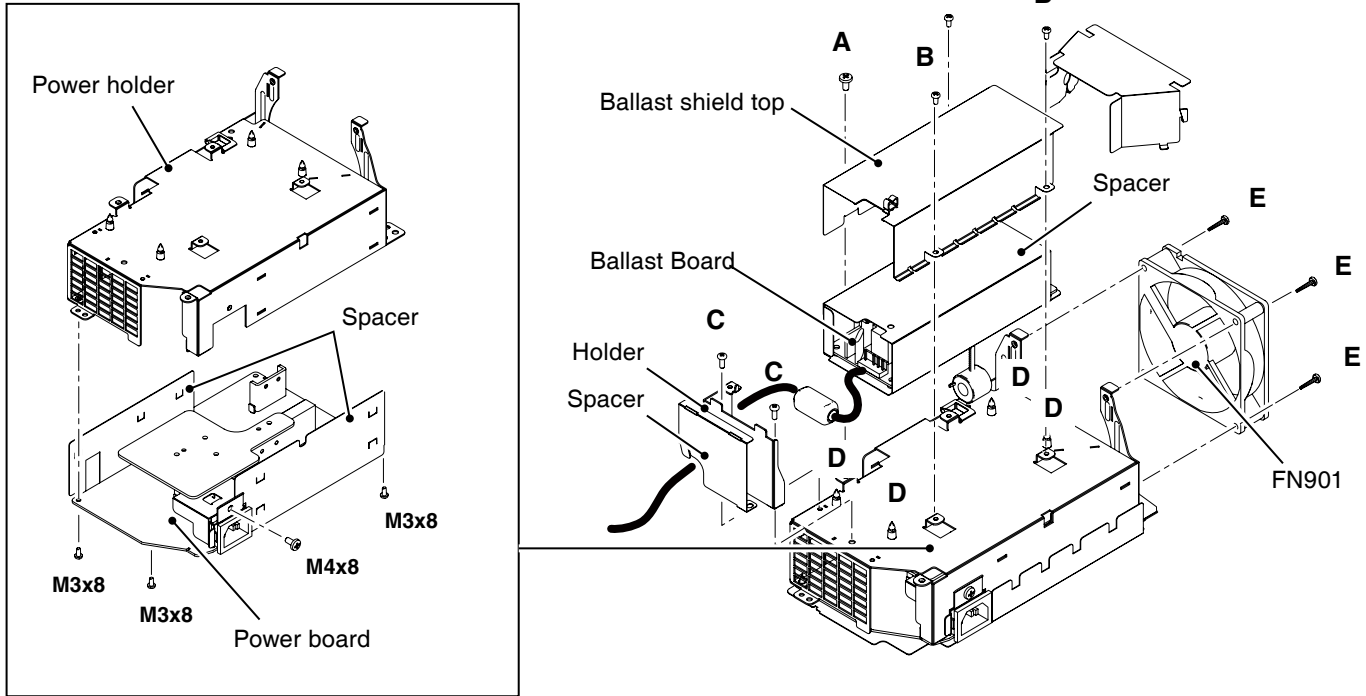
8. Power Box and Thermal SW (SW902) removal

1. Remove 2 screws-A (M3x8), 2 screws-B (T3x8) and 1 screw-C (M4x8) and then remove the Power Box assy.
2. Remove 1 screw-D (T3x8) to take the Trigger Box off.
3. Remove 1 screw-E (T3x8) and pull the SW902 upward off from the groove.



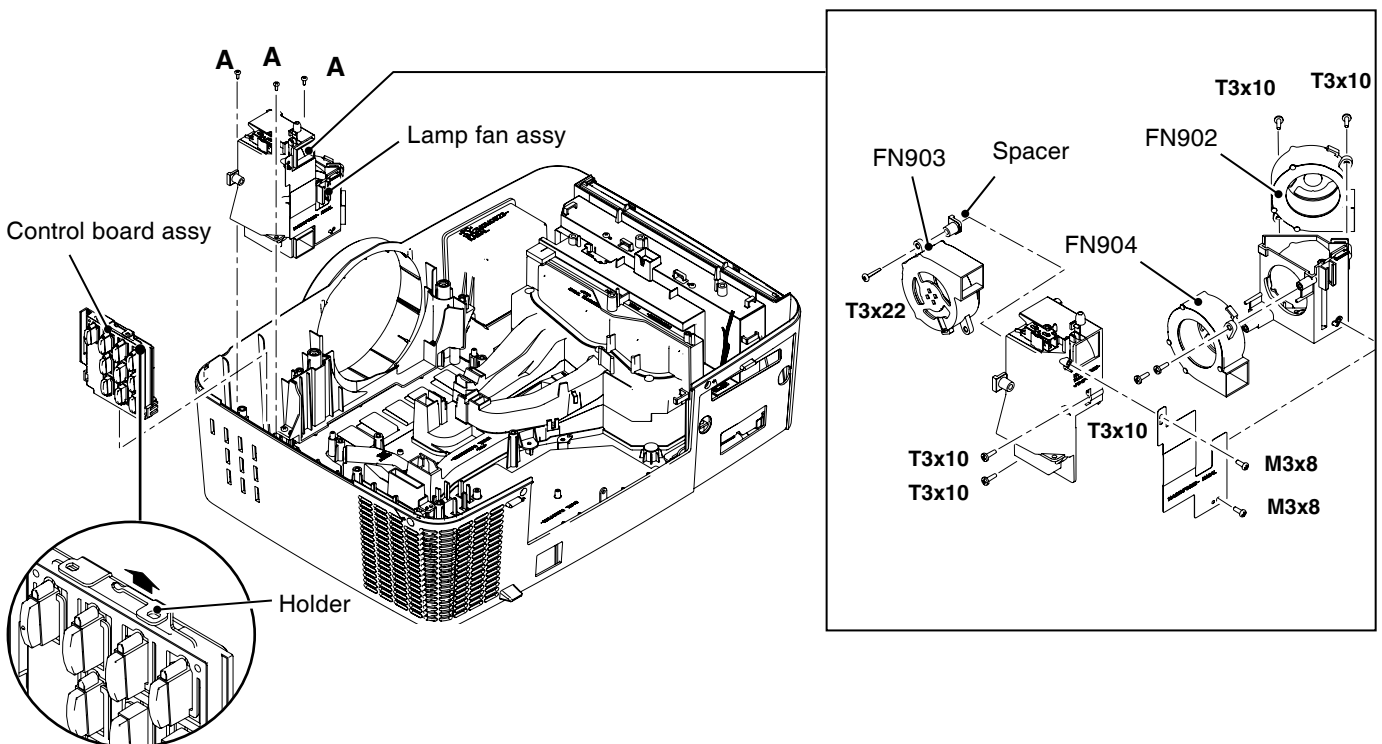
8-1. Power Box disassembly and Fan (FN901) removal

1. Remove 1 screw-A (M4x8) and 3 screws-B(M3x8) and remove the Ballast shield top.
2. Remove 2 screws-C (M3x8) to take the Holder. Unhook the 4 hooks-D and take the Ballast board off.
3. Remove 3 screws-E (T3x28) to take the Fan (FN901) off.



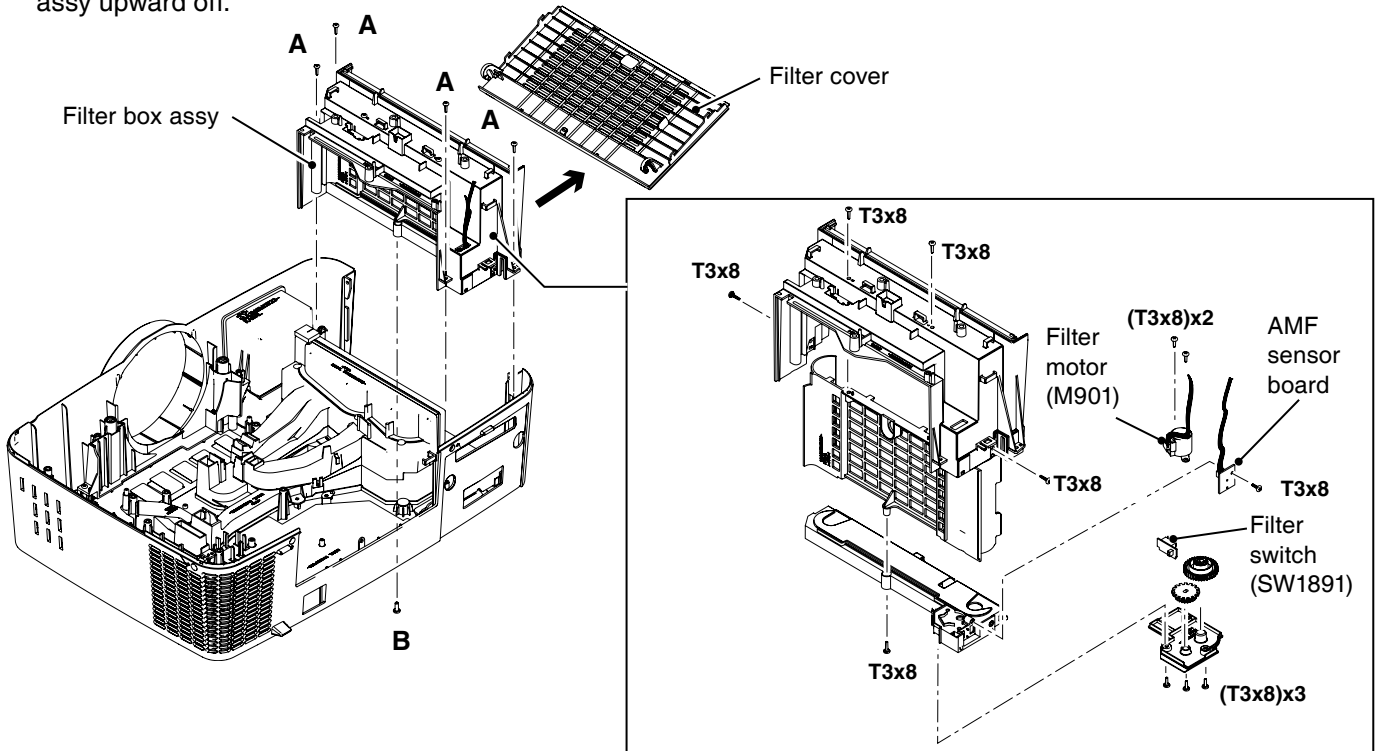
9. Control board and Fans (FN902, FN903, FN904) removal

1. Remove 3 screws-A (T3x8) to take the Lamp fan assy off.
2. Pull the holder on the Control board up to release the hook and remove the Control board assy upward off.



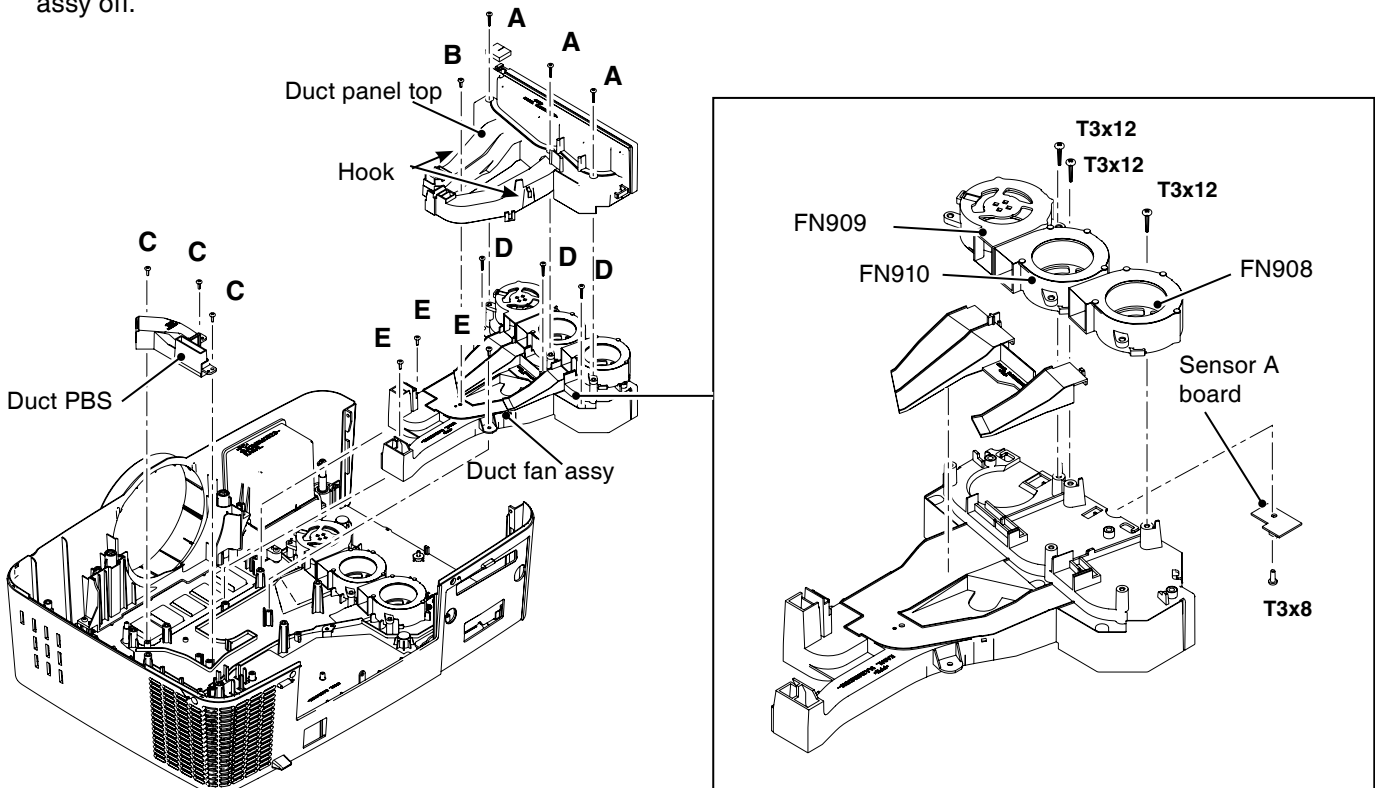
10. Filter Assy removal

1. Remove the Filter Cover by pulling it outside.
2. Remove 4 screws-A (T3x8) and 1 screw-B (M3x8) and pull the Filter Box assy upward off.



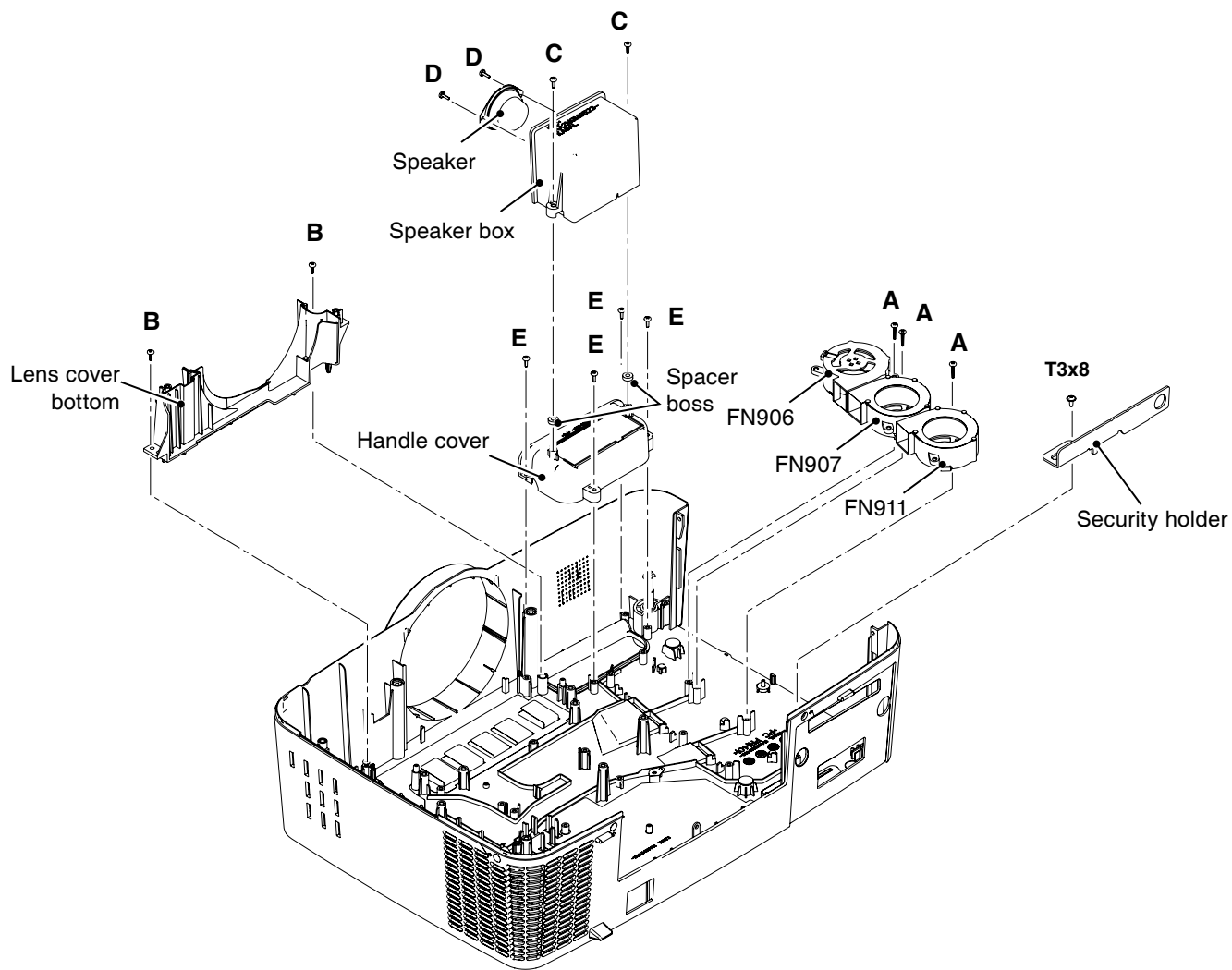
11. Fans (FN908, FN909, FN910) removal

1. Remove 3 screws-A (T3x15), 1 screw-B (T3x8) and unhook 2 hooks and remove the Duct Panel Top.
2. Remove 3 screws-C (T3x8) to take the Duct PBS off.
3. Remove 3 screws-D (T3x12) and 3 screws-E (T3x8) to take the Duct Fans assy off.



12. Fans (FN906, FN907, FN911) and Speaker removal

1. Remove 3 screws-A (T3x12) and remove fans(FN906, FN907 and FN911).
2. Remove 2 screw-B (T3x8) to take the Lens Cover Bottom upward.
3. Remove 2 screws-C (T3x8) to take the Speaker box off. Remove 2 screws- D to remove the speaker.
4. Remove 4 screws-E (T3x8) to remove the Handle cover.

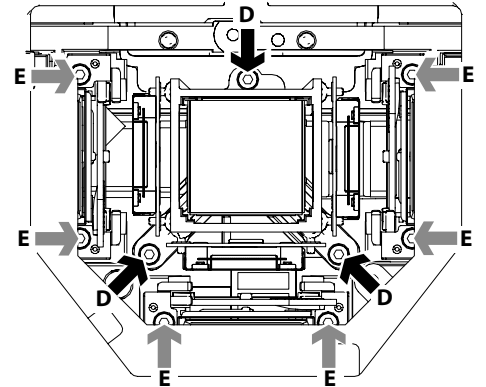
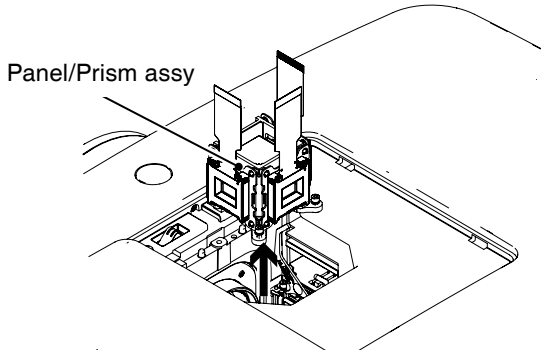


Optical Parts Disassembly

Before taking these procedures, remove the cabinet top, Main board assy, shutter assy referring to the chapter "Mechanical Disassembly".

1. LCD Panel/Prism Assy removal

1. Open the Prism Cover.
2. Loosen 3 screws-D and pull the Panel/Prism assy upward.



*** Note on handling the LCD Panel/Prism Assy**
LCD Panel, Polarized glasses are very sensitive parts. Never touch or wipe the surface. When removing the dust on the surface, use a commercial (inert gas) air spray to remove them.

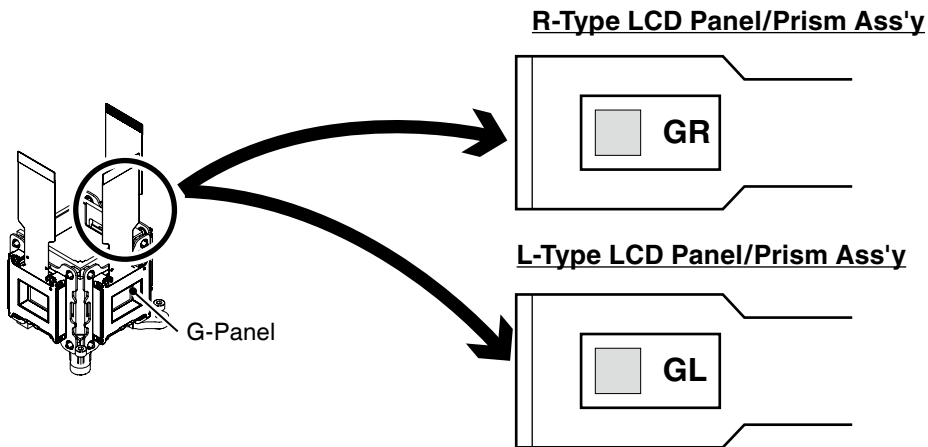
LCD Panel Type Check

There are 2 types combination of the LCD panel/prism assembly and the optical unit, named Type-R and Type-L. Since both have no compatibility, each type should be combined with the same type, and the specific parts should be used. If not, the poor optical characteristics may degrade the quality of a projected image.

How to check the type of LCD Panel Ass'y

Check the printed marker on the flat cable of the G-LCD Panel.

- GR --> R-type LCD Panel/Prism Ass'y
- GL --> L-Type LCD Panel/Prism Ass'y

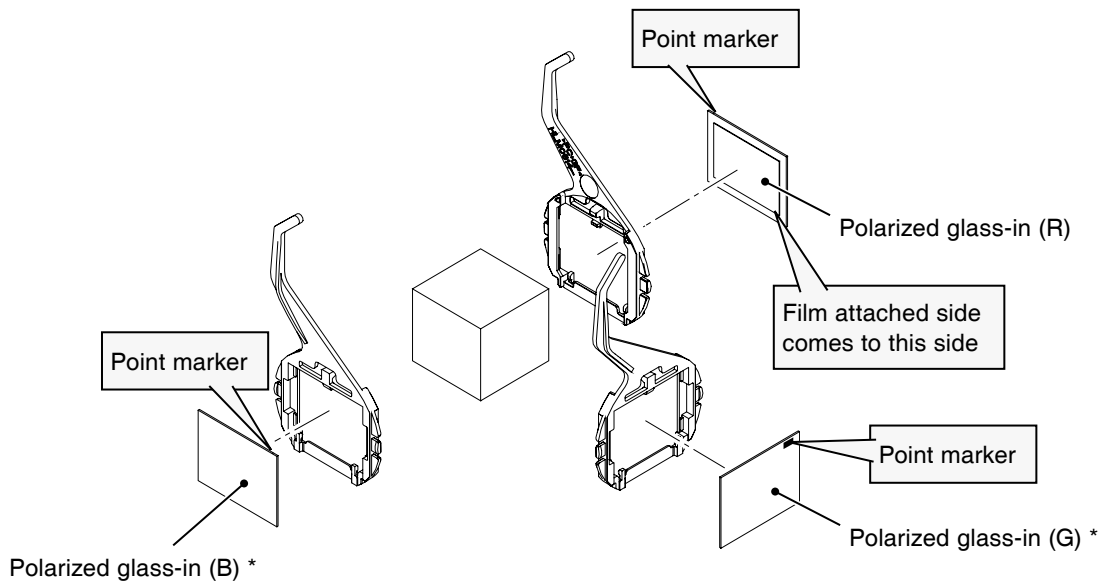
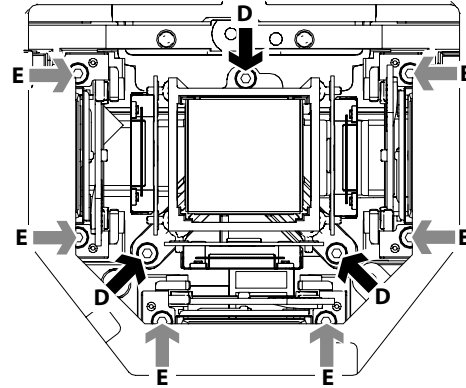
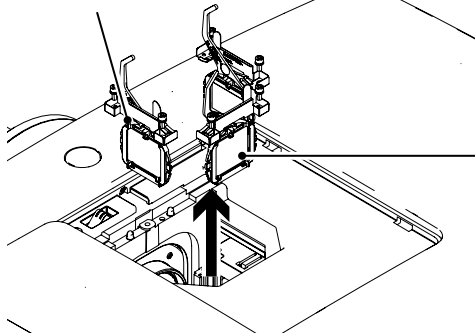


IMPORTANT NOTICE on LCD Panel/Prism Ass'y Replacement
LCD panels used for this model cannot be replaced separately. Do not disassemble the LCD Panel/Prism Ass'y. These LCD panels are installed with precision at the factory. When replacing the LCD panel, should be replaced whole of the LCD panels and prism ass'y at once.
When replacing LCD Panel/Prism ass'y, take the optical and electrical adjustments following to the chapter "Adjustment".

2. Polarized Glass-in removal

1. Remove 2 screws-E (M2.5x6) each on the Polarized glass assy and remove the stoppers, and pull the Polarized Glass assy upward.

Polarized glass assy

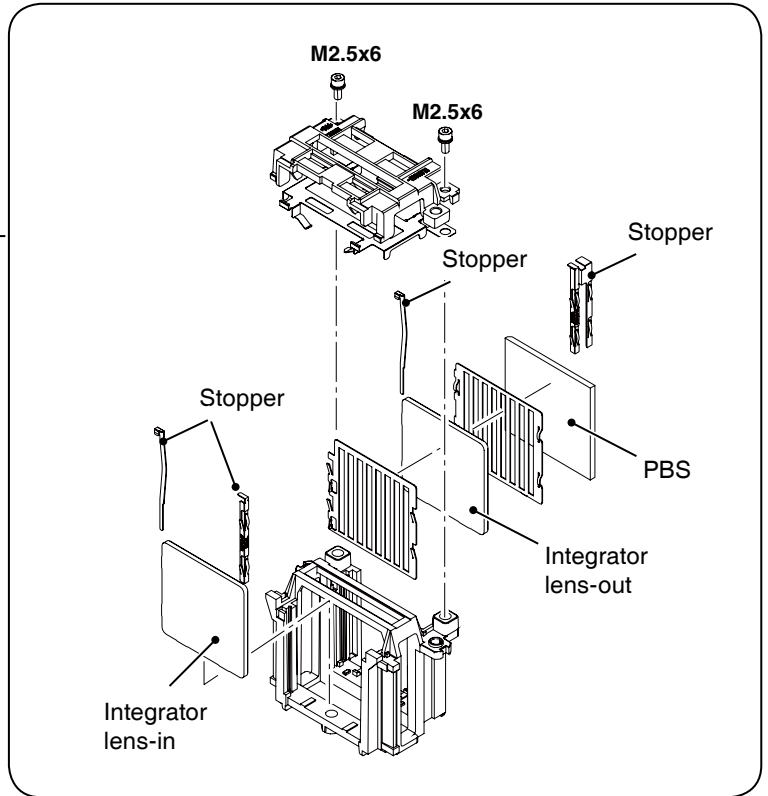
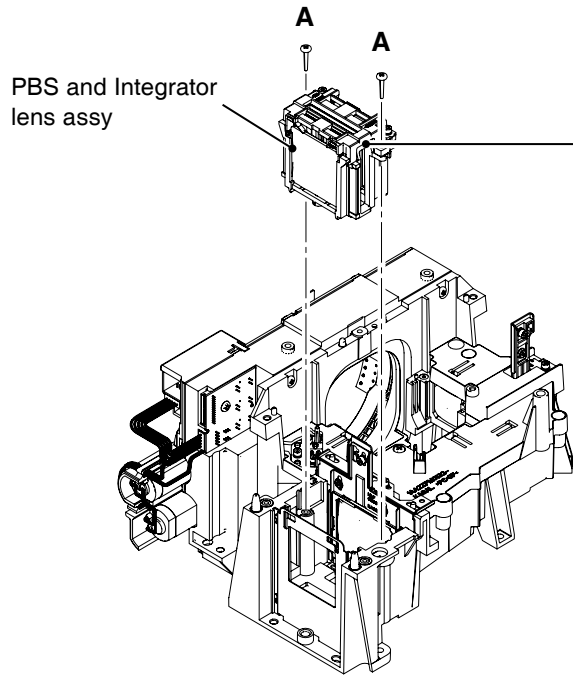


*** Note on handling the polarized glasses**

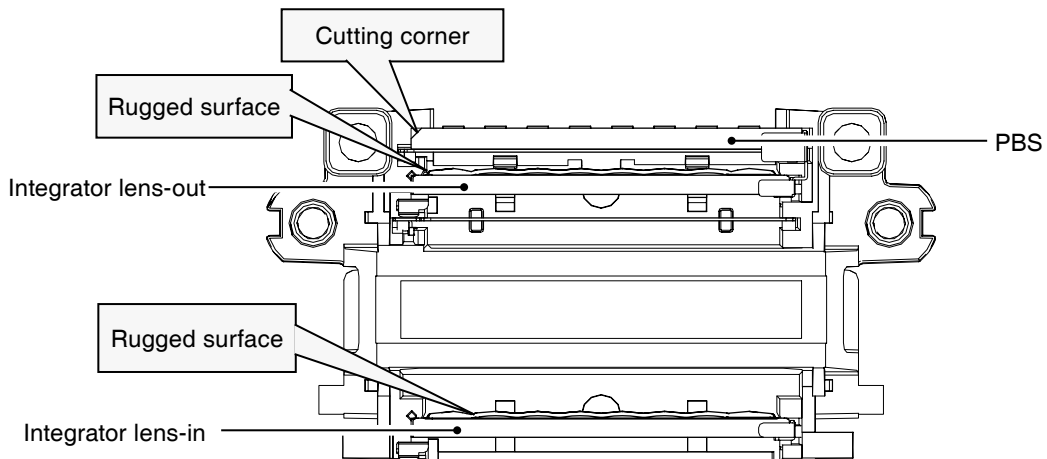
Polarized glass-in (B) and (G) are very sensitive parts. Never touch or wipe the both surfaces. Grab the edge of the glass by new gloves when handling the polarized glass. When removing the dust on the surface, use a commercial (inert gas) air spray to remove them. Never use organic solvents.

3. PBS and Integrator Lens Assy removal

1. Remove 2 screws-A (M3x14) and pull the PBS and Integrator lens assy upward.

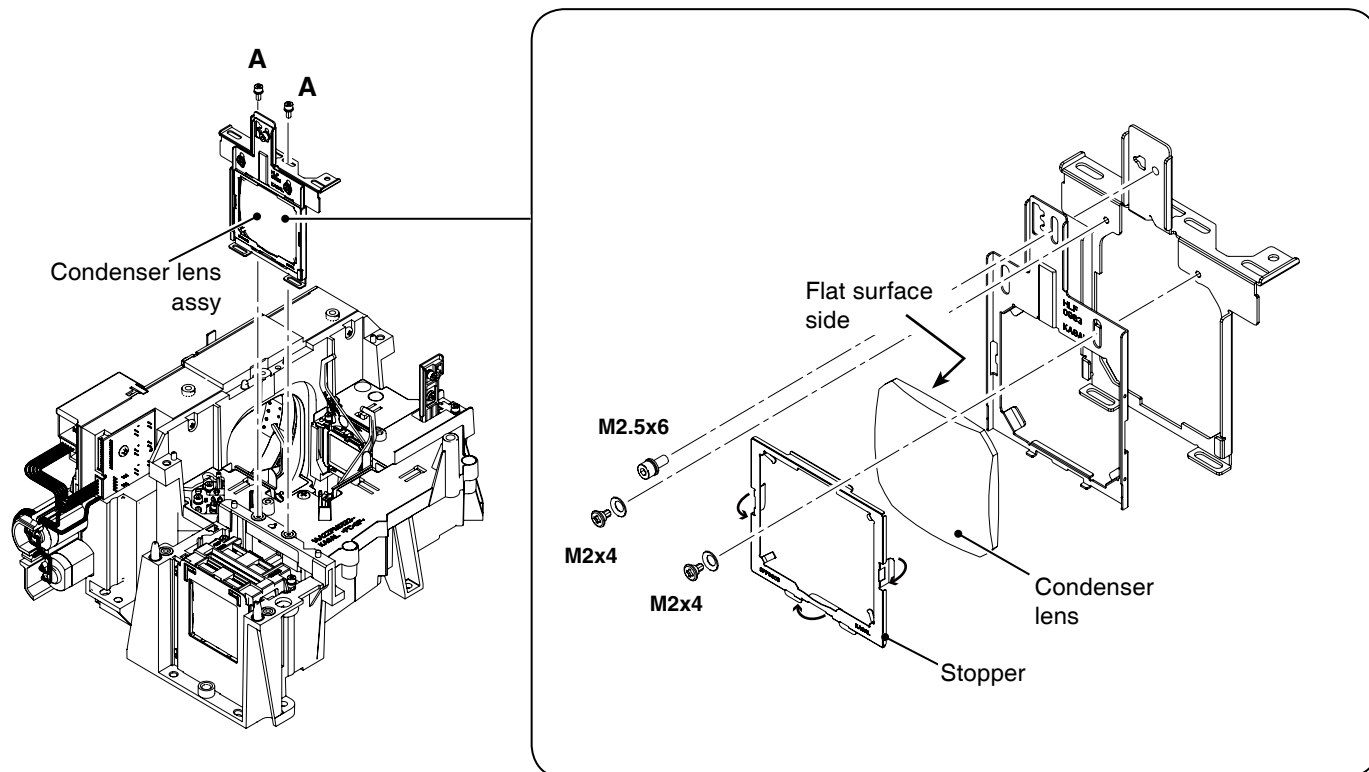


Top view of PBS and Integrator lens assy



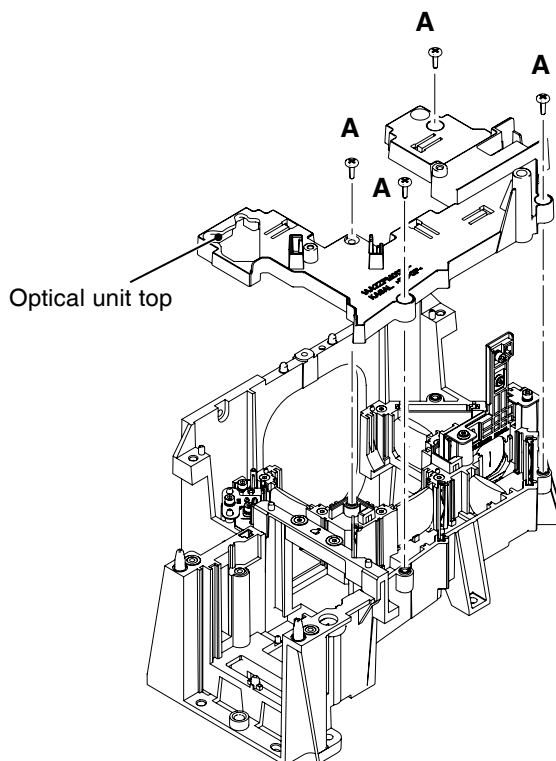
4. Condenser Lens Assy removal

1. Remove 2 screws-A (M2.5x6) and pull the Condenser Lens Assy upward.



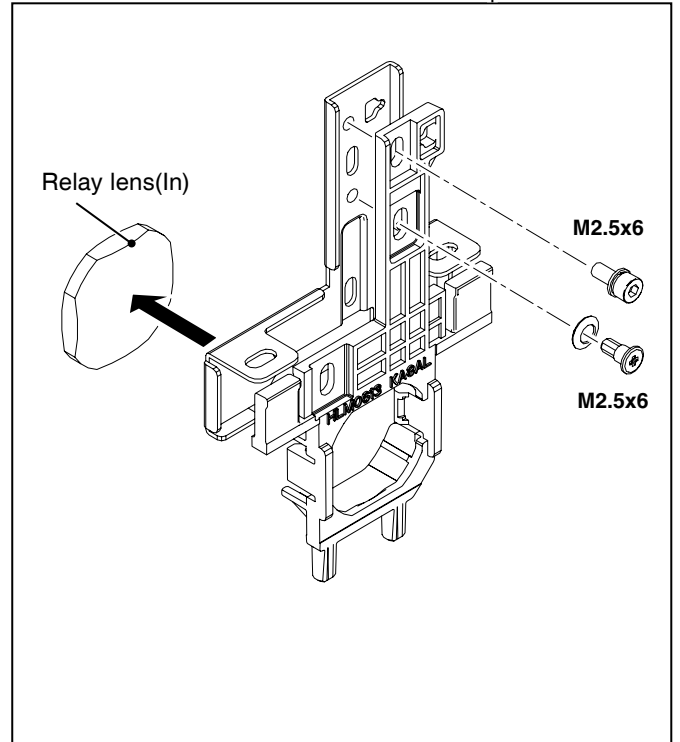
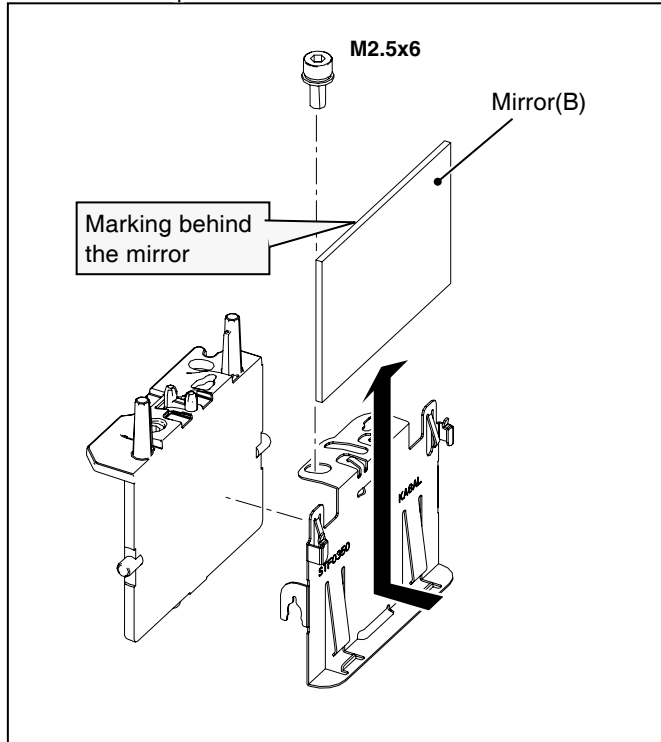
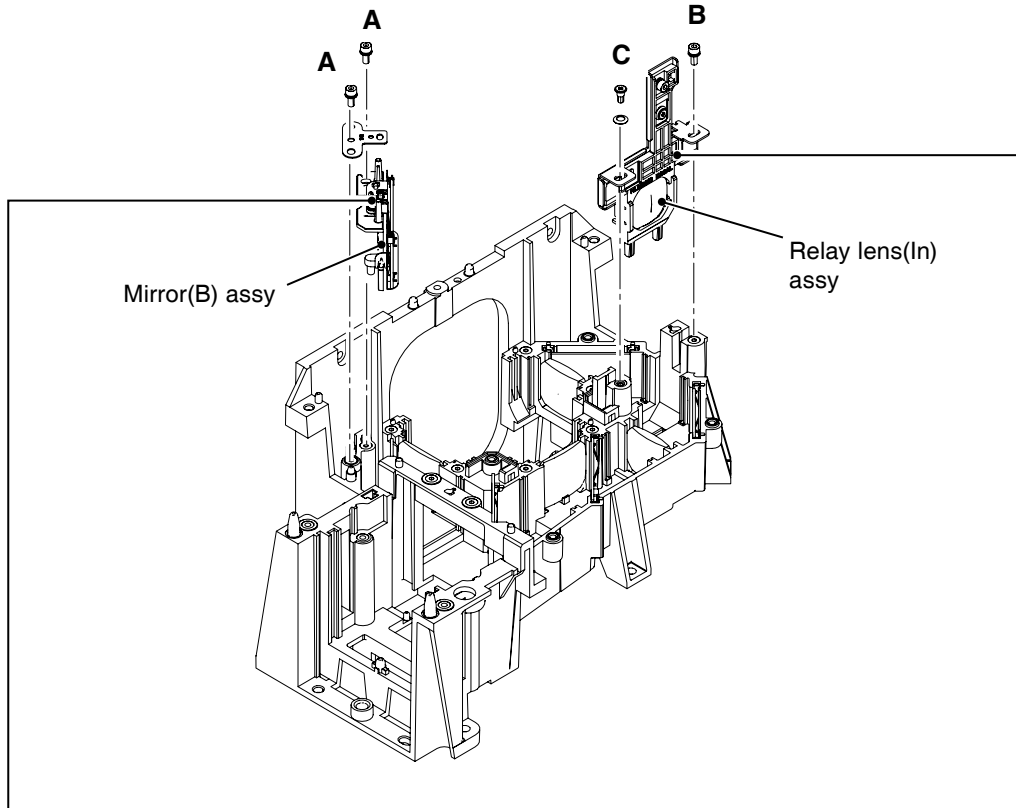
5. Optical Parts in the Optical Unit removal

1. Remove 4 screws-A (T3x10) to take the Optical Unit Top off.



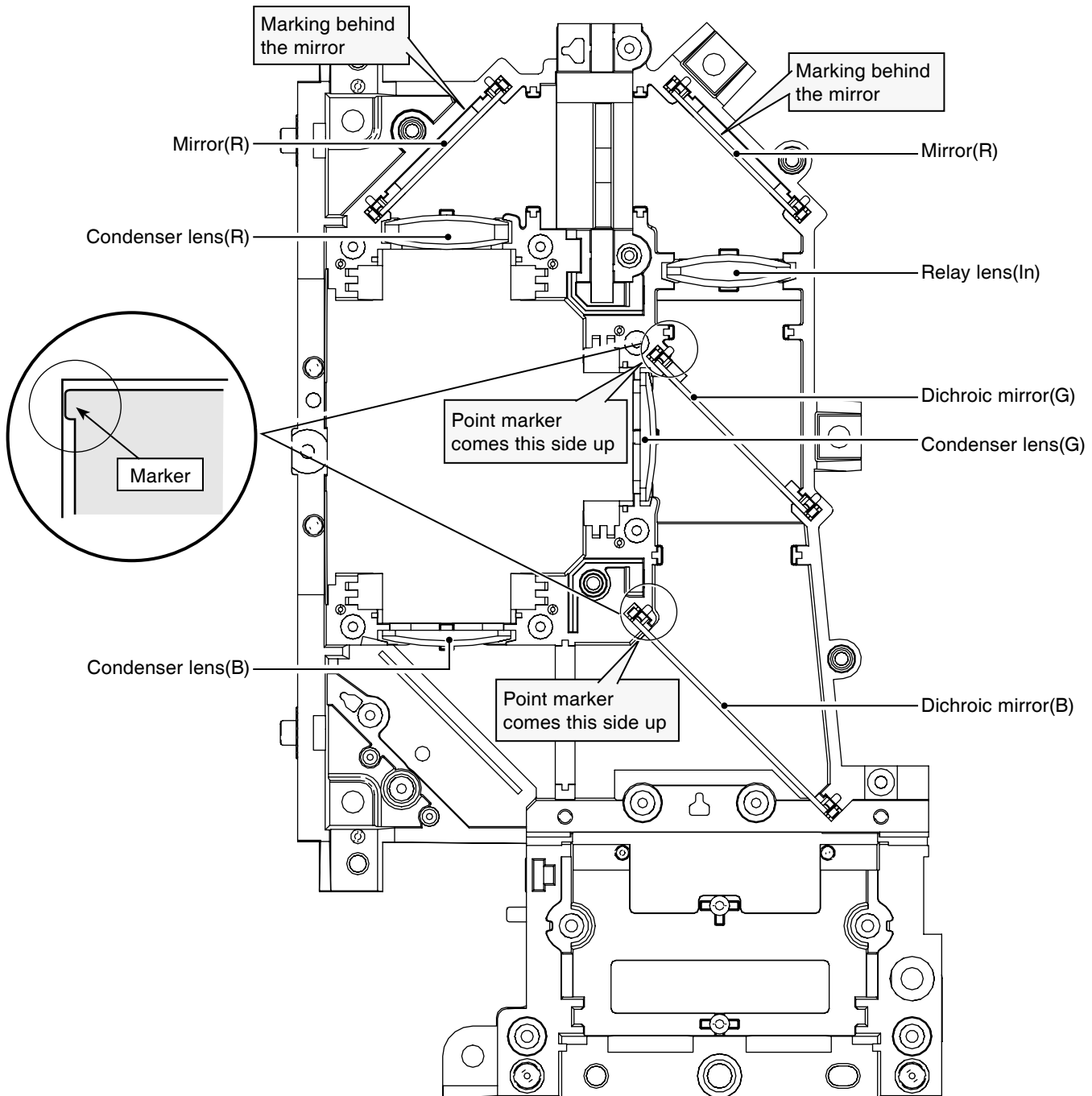
5-1. Mirror(B) Assy and Relay Lens(In) Assy removal

1. Remove 2 screws-A (M2.5x6) and pull the Mirror(B) assy upward off.
2. Remove 1 screw-B (M2.5x6) and 1 screw-C (M2x4), and pull the Relay lens(In) assy upward off.



5-2. Optical Parts in the Optical Unit

When mounting or assembling the optical parts in the optical unit, the parts must be mounted in the specified location and direction as shown in the figure below.



Adjustments

Adjustments after Parts Replacement

● : Adjustment necessary ○ : Check necessary

		Disassembly / Replaced Parts					
		LCD/ Prism Assy	Polarized Glass	Condesner lens / Relay lens / Integrator lens	Power Board	Main Board	Fans Wind Sensor
Optical Adj.	Optical axis adjustment			●			
	Contrast adjustment	●	●				
Electrical Adjustments	Output voltage adjustment				●		
	Fan voltage adjustment				●	●	●(Fans)
	PC-auto calibration					●	
	Video-auto calibration					●	
	Component-auto calibration					●	
	Common voltage adjustment	●				●	
	Panel type check and setting	○				●	
	Gamma shipment setting-up *	●				●	
	White balance adjustment	○				●	
	Color shading correction adjustment *	○	○			○	
Wind sensor calibration				●	●	●(S901)	

* To setup or adjust those items, the Projector Service Tool v. 4.20 software is needed. Refer to the owner's manual for this software for the further details.

Note on Main Board Replacement

Take the following setting when the main board is replaced.

- Shipment data setting (Color Shading Correction, Gamma Shipment)
- Serial No. Setting

Adjustment Ship Data Setting

This projector stores "Color Shading Correction Data" and "Gamma Data" in the flash memory (IC801) and memory (IC1387) on the main board. Those shipping data have been setup according to the optical characteristics of the mounted LCD panels precisely in the factory. When replacing the main board, you need to read out the those setting data stored in the memory ICs on the previous main board and write down them into the memory ICs on the new main board. By this way, the projector enables to reproduce the picture which has properly adjusted color shading correction, gamma correction. For further details, refer to the operation manual of the software [PROJECTOR SERVICE TOOL v4.20].

Serial No. Setting

Each projector has an unique serial no. controlled in the factory. There are 2 ways to check this serial no. The one is printed on the rating label on the cabinet, the other one is displayed on the "Information" on the on-screen menu. The serial no. displayed on the on-screen menu is stored in the memory IC (IC1387) on the main board. When replacing the main board or memory IC, you need to write the serial no. referring to the serial no. printed on the rating label with the serial no. setting tool. For further details, refer to the operation manual of the serial no. setting tool [SST LITE v1.00].

Those software are included in the service CD-ROM listed below;

PROJECTOR SERVICE TOOL CD-ROM v4.20

SERVICE CODE: 610 343 5596

Cation:

Don't unplug the AC Cord without pressing the power button in the serving.

Service Adjustment Menu Operation

To enter the service mode

To enter the "Service Mode", press and hold the **MENU** and **SELECT** button for more than 3 seconds, or press and hold the **MENU** button on the remote control for more than 20 seconds. The service menu appears on the screen as follows.

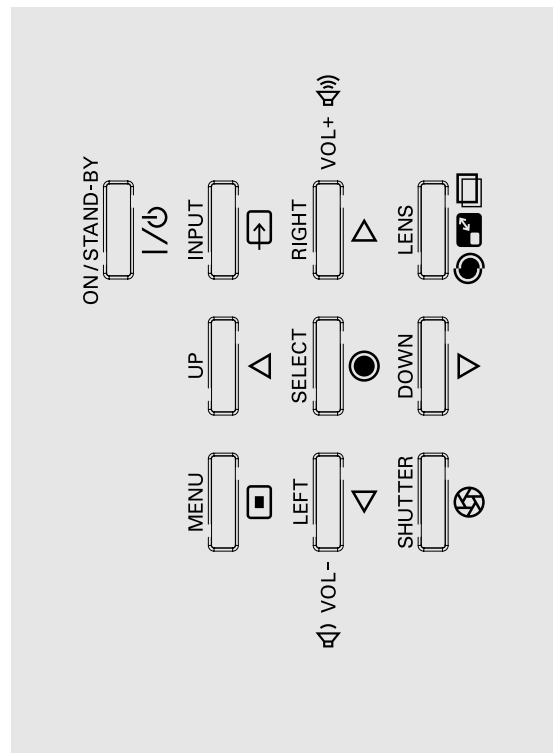
To adjust service data

Select the adjustment group no. by pressing the **MENU** button (increase) or **SELECT** button (decrease), and select the adjustment item no. by pressing the pointer **▲** or **▼** button, and change the data value by pressing the **◀** or **▶** button. Refer to the "Service Adjustment Data Table" for further description of adjustment Group No., Item No. and data value.

To exit the service mode

To exit the service mode, press the **ON/STAND-BY** button.

Service Mode		
Input	Input 1	Group No.
Image	Standard	Item No.
Group	No.	Data
0	0	32
Ver.	1.00	Firmware Version No.

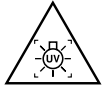


Enabling/Disabling the Wind Sensor Function

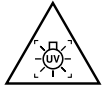
When the Main Board is replaced with new one, the projector detects the clogged filter and rolls up the filter until it ends because the wind sensor setting value in the memory IC on the new board is not setup correctly. To avoid this operation, disable the wind sensor function temporarily following to the procedure below.

1. Enter the service mode, select Group No. "240" and Item No. "2". Change data value from "1" to "0". Now the function of wind sensor is disabled.
2. After completing the "Fan driving voltage adjustment", set up to enable the function of the wind sensor. (Group No. "240", Item No. "2", Data value is set to "1")
3. Execute the adjustment "Filter calibration".

Optical Adjustment



WARNING : USE UV RADIATION EYE AND SKIN PROTECTION DURING SERVICING

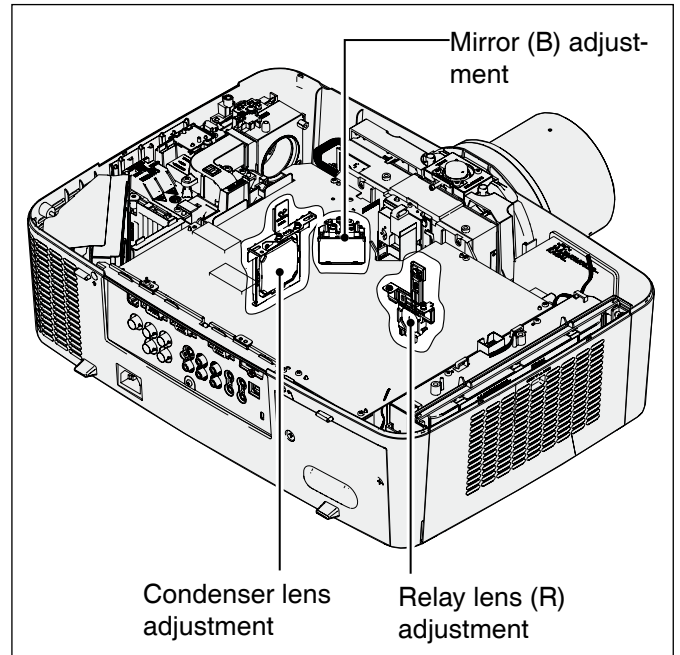


CAUTION: To prevent suffer of UV radiation, those adjustments must be completed within 25 minutes.

Before Adjustment

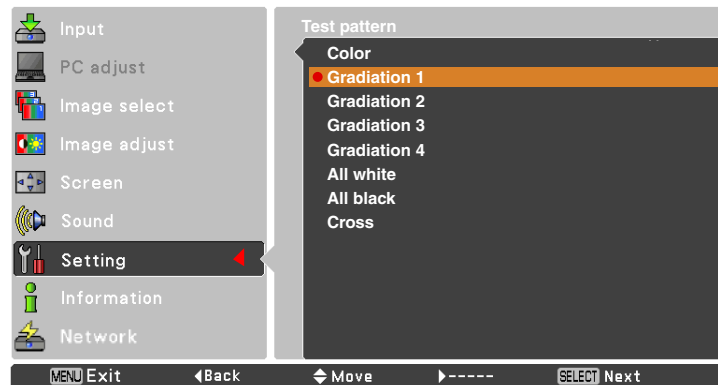
- 1 Each adjustment requires hex wrenches and slot screwdrivers.
- 2 Move the projection lens position to center by pressing the LENS button for more than 5 seconds.
- 3 When adjusting optical components adjustments, using Standard Zoom Lens is recommended.
- 4 When adjusting the optical axis adjustment and contrast adjustment, use the internal test pattern. To select the internal test pattern, see the item below.
 - * Do not disconnect the sockets on the main board otherwise the power protection function will operate to shutdown the projector.
- 5 These adjustments should be taken in the darkest room to adjust precisely.

CAUTION: Do not short main board with the chassis. Protect main board with necessary isolation materials from shorting.



To select the internal test pattern

- 1 Press the MENU button.
 - 2 Select the "Test pattern" from the "Setting" menu.
 - 3 Press the SELECT button. The test pattern menu appears on the screen.
 - 4 Select a pattern name and press SELECT button.
- To cancel the test pattern, press any of the buttons.



CAUTION:

When adjusting the optical components, do not insert any materials into the optical block for blocking the light. Or the optical block may be damaged by overheating or scratching the parts.

1. Optical axis adjustment

Select the internal test pattern signal “All white” from the projector’s menu “Menu -> Setting -> Test pattern”.

1-1. Condenser lens adjustment-1

1 Loosen 2 screws **A** and 1 screws **C**.

2 Move the condenser lens to display the color shading on the top/bottom and left/right of the screen.

1) Insert a slot driver into the slot **B** and turn it to move the image horizontally as shown in **Fig.1-1**.

2) Insert a slot driver into the slot **D** and turn it to move the image vertically as shown in **Fig.1-2**.

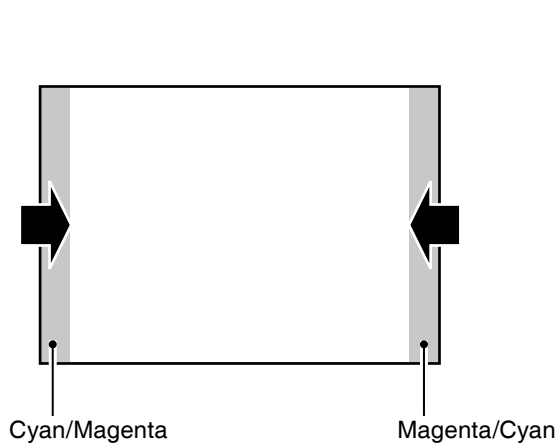
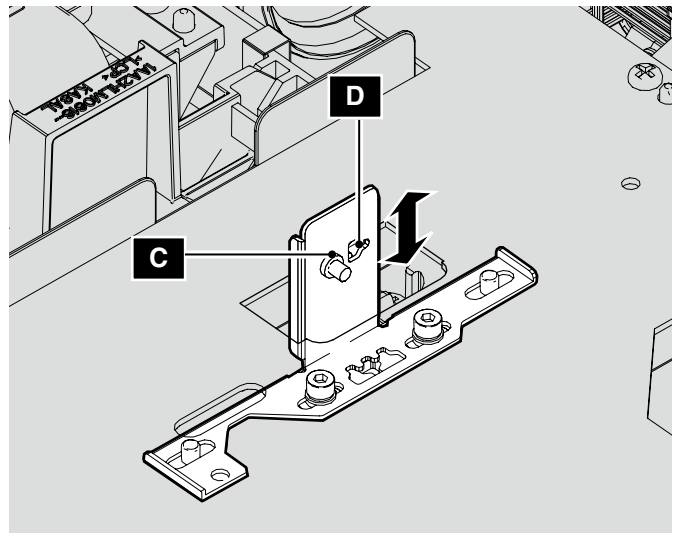
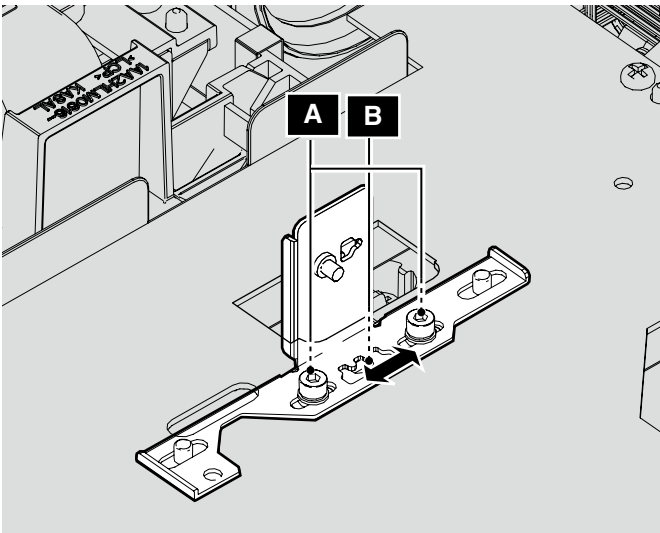


Fig.1-1

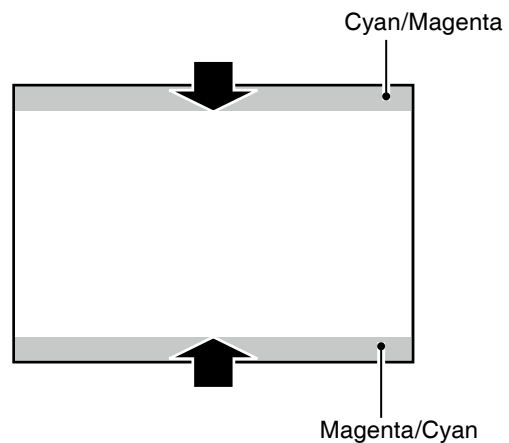


Fig.1-2

1-2. Mirror (B) adjustment

- 1 Loosen 1 screw **E** and 1 screws **G**.
- 2 Move the Mirror-B to disappear the color band (Yellow/Magenta) on the top/bottom and left/right of the screen.
 - 1) Insert a slot driver into the slot **F** and turn it to move the image vertically as shown in **Fig.1-4**.
 - 2) Insert a slot driver into the slot **H** and turn it to move the image horizontally as shown in **Fig.1-3**.
- 3 Tighten screws **E** and **G** to fix the Mirror-B unit.

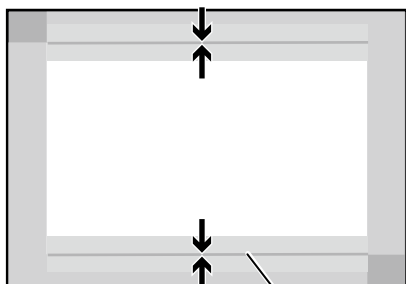
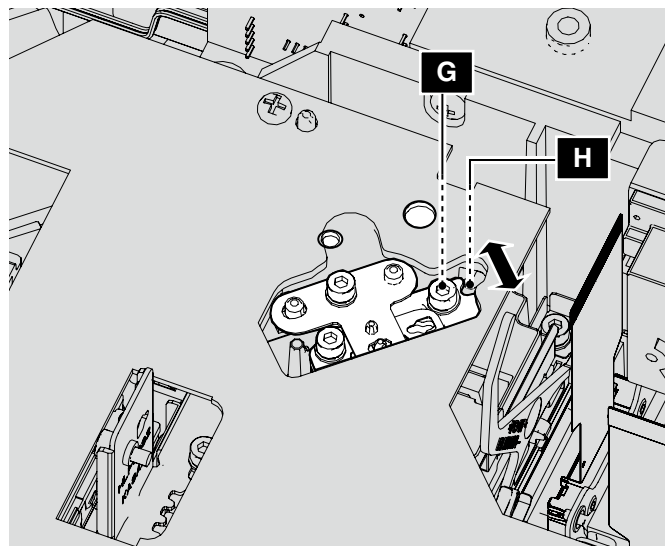
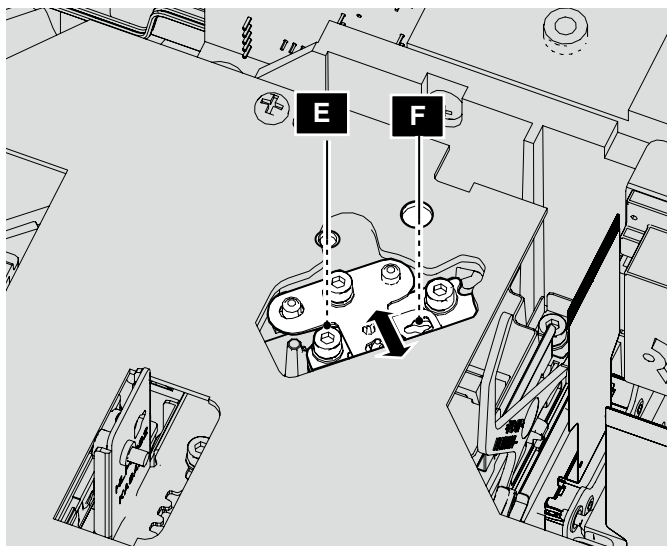
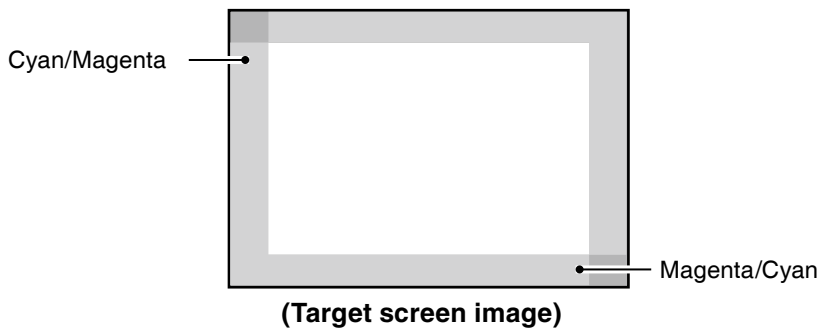


Fig.1-3

Yellow/magenta color offset

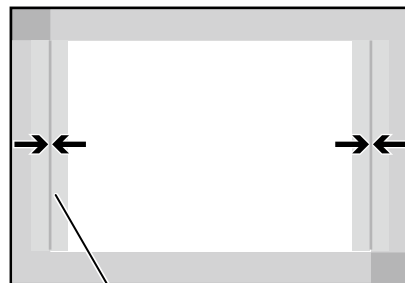


Fig.1-4

Yellow/magenta color offset

1-3. Relay lens (R) adjustment

- 1 Loosen 1 screw **J** and 1 screw **L**.
- 2 Move the Relay lens (R) so that the color shading appeared on the top/bottom and left/right of the screen becomes the same width.
 - 1) Insert a slot driver into the slot **K** and turn it to move the image horizontally as shown in Fig.1-5.
 - 2) Insert a slot driver into the slot **M** and turn it to move the image vertically as shown in Fig.1-6.
- 3 Tighten the screws **J** and **L** to fix the relay lens (R) assy.

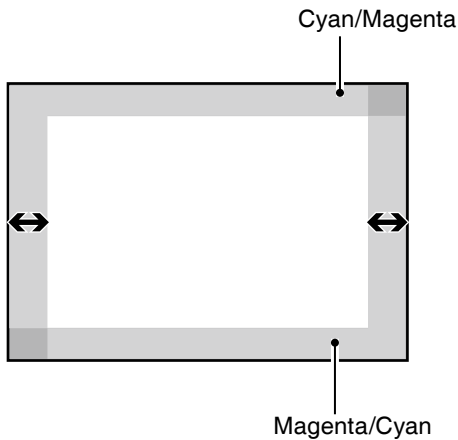
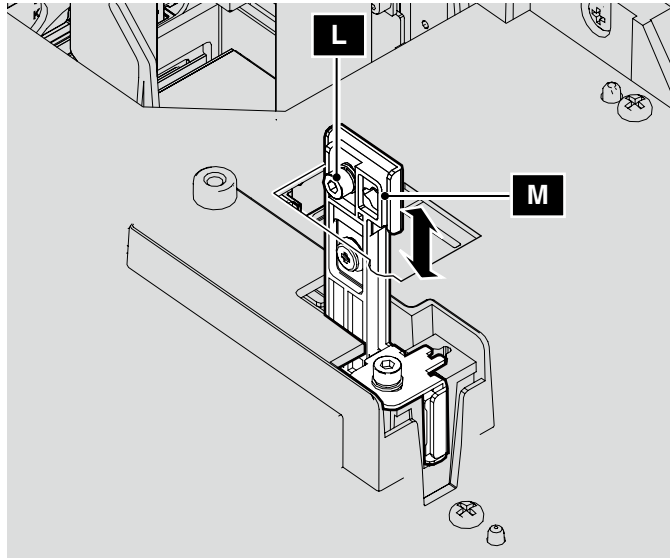
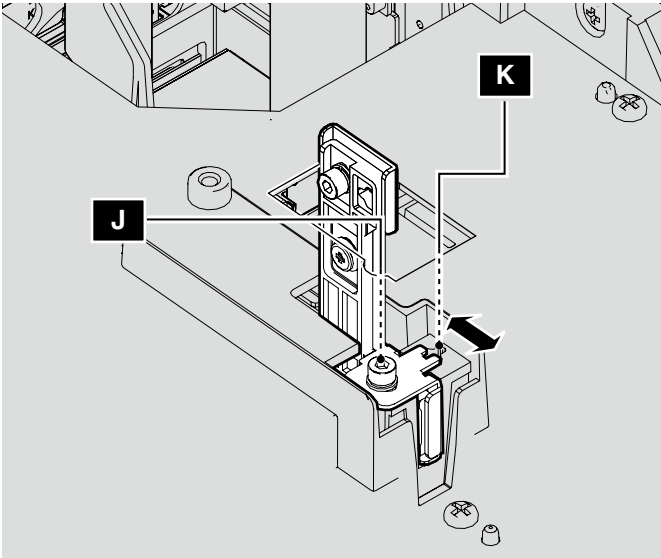
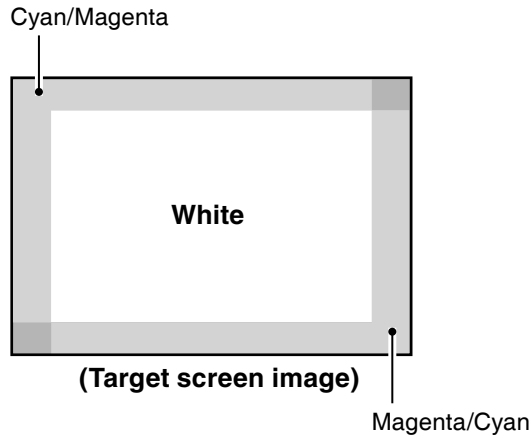


Fig.1-5

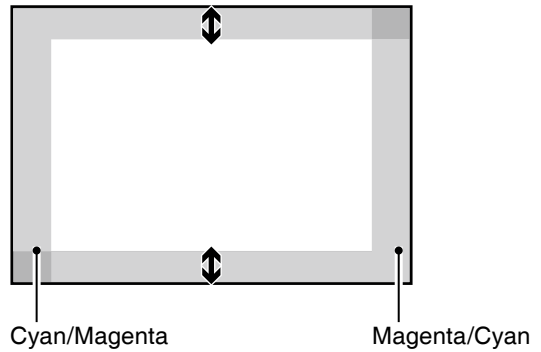
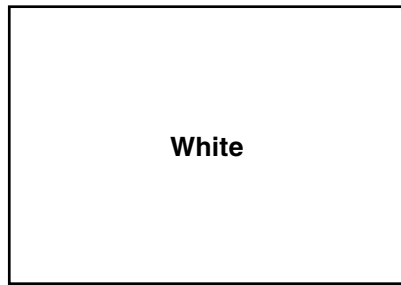


Fig.1-6

1-4. Condenser lens adjustment-2

- 1 Move the condenser lens to remove the color shading on the top/bottom or left/right of the screen.
 - 1) Insert a slot driver into the slot **B** and turn it to move the image horizontally as shown in **Fig.1-7**.
 - 2) Insert a slot driver into the slot **D** and turn it to move the image vertically as shown in **Fig.1-8**.
- 2 Tighten screws **A** and **C** to fix the Condenser lens.



(Target screen image)

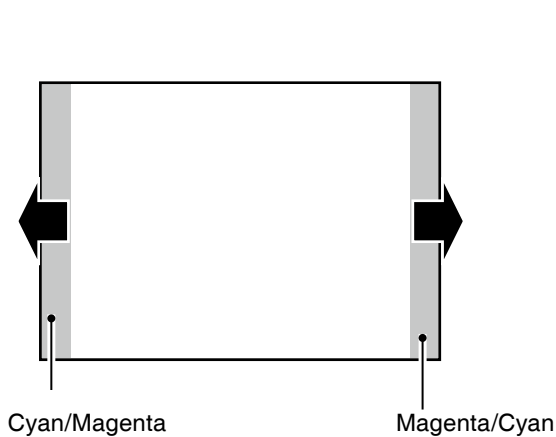
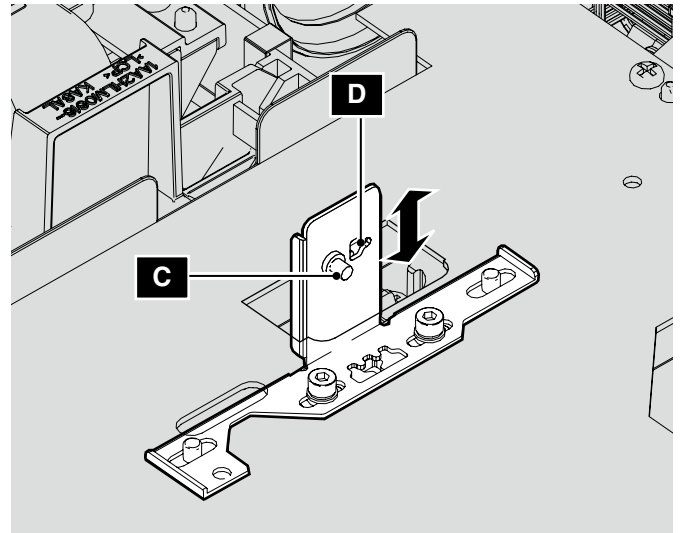
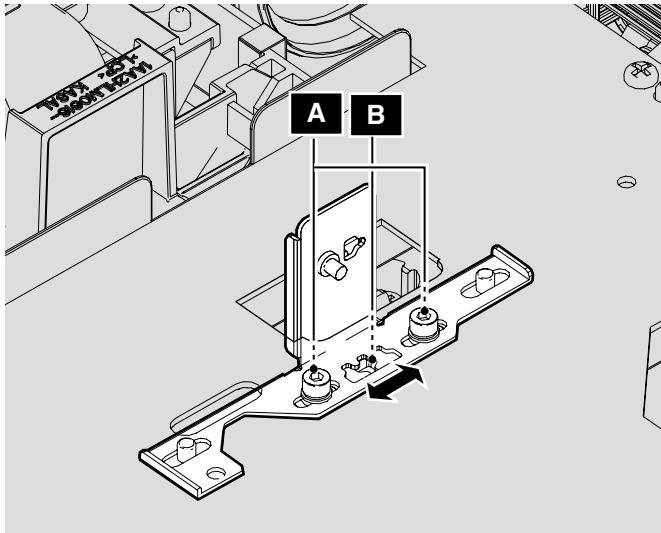


Fig.1-7

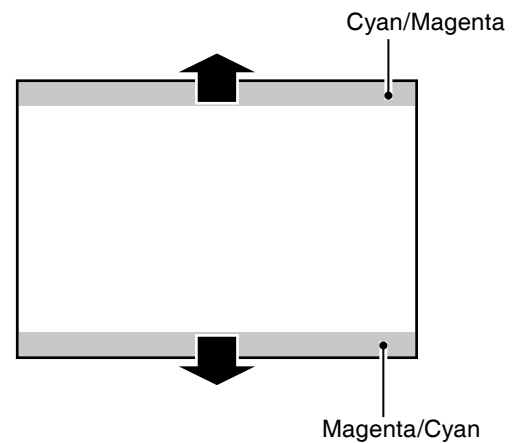
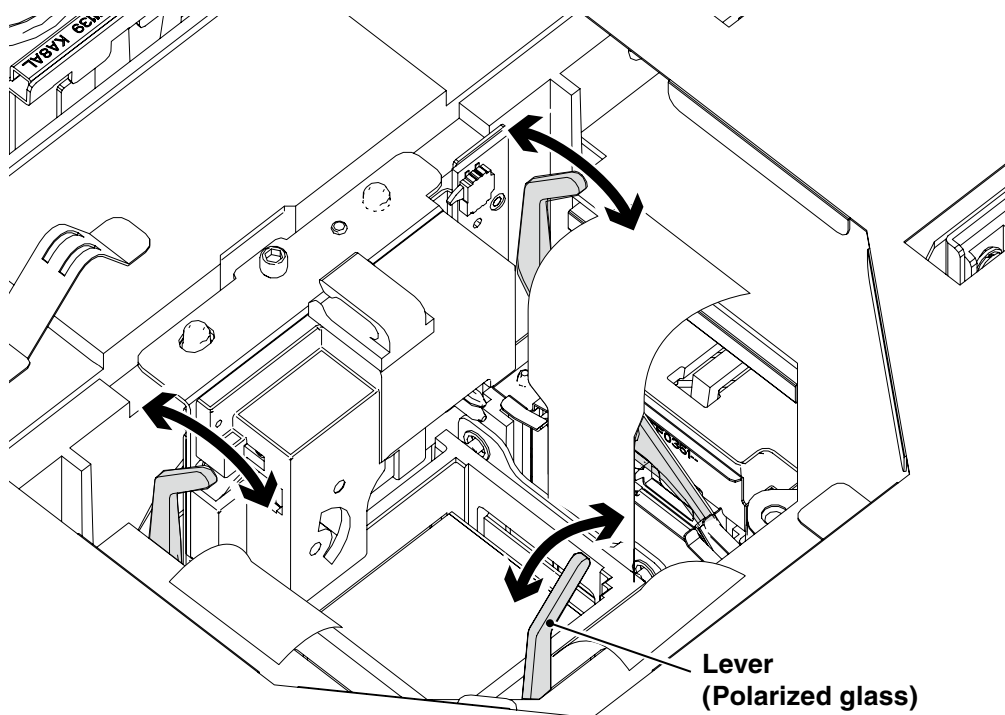


Fig.1-8

2. Contrast adjustment

- 1 Select the internal test pattern signal "All black" from the projector's menu "Menu -> Setting -> Test pattern".
- 2 Turn the lever of polarized glass to obtain the darkest brightness and proper black color uniformity on the screen.

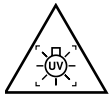
* This adjustment should be taken in order of G-panel, R-panel and B-panel.
* This adjustment should be taken in the dark room to adjust precisely.



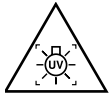
Electrical Adjustments

Circuit Adjustments

CAUTION: The each circuit has been made by the fine adjustment at factory. Do not attempt to adjust the following adjustments except requiring the readjustments in servicing otherwise it may cause loss of performance and product safety. Before taking these adjustments, turn the projector for more than 10 minutes to stabilize the operation.



WARNING : USE UV RADIATION EYE AND SKIN PROTECTION DURING SERVICING.



CAUTION:
To prevent suffer of UV radiation, those adjustments must be completed within 25 minutes.

[Adjustment Condition]

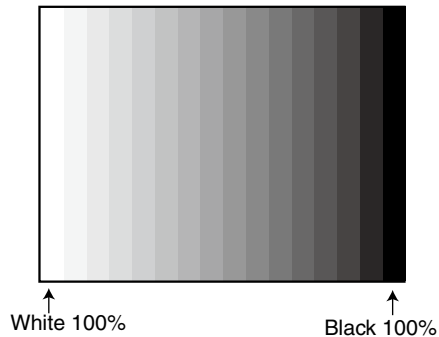
● Input signal

Analog Computer signal 0.7Vp-p/75Ω terminated (WXGA)

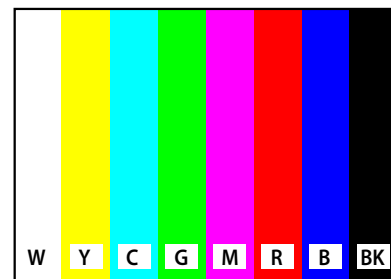
Composite Video signal 1.0Vp-p/75Ω terminated (NTSC / PAL)

Component Video signal 0.7Vp-p/75Ω terminated (480i, 480p, 720p, 1080i)

16 steps gray scale pattern



100% full color bar pattern



- Picture control mode..... “STANDARD” mode unless otherwise noted.
- Lamp control..... “Normal” mode unless otherwise noted.

Note:

* Please refer to “Service Adjustment Menu Operation” for entering the service mode and adjusting the service data.

1 Output Voltage adjustment

After replacing the Power Board, perform the Output voltage adjustment as follows.

1. Connect a digital voltmeter to pins 2 (-) and 1 (+) of **K6A**.
2. Adjust the voltage by using VR601 as following.

AC Input	Reading
230V	370V ±2V

Caution:

Be sure to connect the lamp when taking this adjustment.

* This adjustment is not required even if the power board is replaced because this adjustment is carried out before parts shipment.

2 Fan Voltages adjustment

Equipment	Digital voltmeter
-----------	-------------------

1. Enter the service mode.
2. Adjust the voltage on each test point by changing the data values of the Group - No.

Group	No.	Fan	Test Point	Adjustment value
250	- 0	FN909	TPFN11	4.5 +0.1 -0Vdc
250	- 1	FN909	TPFN11	13.8 +0 -0.1Vdc
250	- 2	FN906	TPFN6	4.5 +0.1 -0Vdc
250	- 3	FN906	TPFN6	13.8 +0 -0.1Vdc
250	- 4	FN904	TPFN4	4.5 +0.1 -0Vdc
250	- 5	FN904	TPFN4	13.8 +0 -0.1Vdc
250	- 6	FN902	TPFN2	4.5 +0.1 -0Vdc
250	- 7	FN902	TPFN2	13.8 +0 -0.1Vdc
250	- 8	FN901	TPFN1	4.5 +0.1 -0Vdc
250	- 9	FN901	TPFN1	13.8 +0 -0.1Vdc
250	- 10	FN903	TPFN3	4.5 +0.1 -0Vdc
250	- 11	FN903	TPFN3	13.8 +0 -0.1Vdc
250	- 12	FN905	TPFN5	4.5 +0.1 -0Vdc
250	- 13	FN905	TPFN5	13.8 +0 -0.1Vdc

3 PC Auto calibration

Input mode	Computer mode (Input 1 RGB)
Input signal	16-step gray scale computer signal

1. Enter the service mode.
2. Select Group "200", No. "70" and set data value to "0". Select Group "200", No. "72" and set data value to "0".
3. Select Group "260", No. "0" and set data value "0" to "1".
The projector begins auto-calibration for MAIN and then "OK" will appear on the screen.
4. Select Group "200", No. "70" and set data value to "1".

5. Select Group "260", No. "0" and set data value "0" to "1".
The projector begins auto-calibration for SUB and then "OK" will appear on the screen.
6. Select Group "200", No. "70" and set data value to "0". Select Group "200", No. "72" and set data value to "1".

4 Component Auto calibration

Input mode	Video mode (Input 2 -Component)
Input signal	100% color bar signal (480i)
	100% color bar signal (480p)
	100% color bar signal (720p)
	100% color bar signal (1080i)

1. Enter the service mode.
2. At first, input the 100% color bar signal (480i).
3. Select Group "200", No. "72" and set data value to "0". Select Group "200", No. "71" and set data value to "1".
4. Select Group "260", No. "0" and set data value "0" to "1".
The projector begins auto-calibration and then "OK" will appear on the screen.
5. Select Group "200", No. "71" and set data value to "0".
6. Select Group "260", No. "0" and set data value "0" to "1".
The projector begins auto-calibration and then "OK" will appear on the screen.
7. Change another input signal and take steps 3 - 6 again.
8. Select Group "200", No. "71" and set data value to "1". Select Group "200", No. "72" and set data value to "1".

5 Video Auto calibration

Input mode	Video mode (Input 3 Video)
Input signal	100% color bar signal (480i)

1. Enter the service mode.
2. Select Group "200", No. "72" and set data value to "0", Select Group "200", No. "71" and set data value to "1".
3. Select Group "260", No. "0" and set data value "0" to "1".
The projector begins auto-calibration and then "OK" will appear on the screen,
4. Select Group "200", No. "71" and set data value to "1".
Select Group "200", No. "72" and set data value to "1".

Adjustments item no. [3] to [5] are carried out at the spare parts shipment in the factory, therefore they are not required when the main board is replaced with new one.

PC, Video, Component Manual adjustment

When the PC, Video or Component Auto Calibration fails, take the following manual adjustment instead of auto calibration.

[1] Manual adjustment (PC)

Input mode Computer mode (Input 1 RGB)
 Input signal 16-step gray scale computer signal

1. Enter the Service mode.
2. Select Group "200",No."70" and set data value to "0".
 Select Group "200",No."72" and set data value to "0".
3. Adjust the data values listed in the table below as the 100% white part on the screen becomes the most noisy (darkest).

Group	No.	Adjustment (MAIN)
10	- 3	ADC-Green Gain
10	- 4	ADC-Red Gain
10	- 5	ADC-Blue Gain

4. Select Group "200",No."70" and set data value to "1".
5. Adjust the data values listed in the table below as the 100% white part on the screen becomes the most noisy (darkest).

Group	No.	Adjustment (SUB)
0	- 3	ADC-Green Gain
0	- 4	ADC-Red Gain
0	- 5	ADC-Blue Gain

6. Select Group "200",No."70" and set data value to "0".
 Select Group "200",No."72" and set data value to "1".

[2] Manual adjustment (Component)

Input mode Video mode (Input 2 -Component)
 Input signal 100% color bar signal (480i)
 100% color bar signal (480p)
 100% color bar signal (720p)
 100% color bar signal (1080i)

1. Enter the Service mode.
2. At first, input the 100% color bar signal (480i).
3. Select Group "200",No."72" and set data value to "0".
 Select Group "200",No."71" and set data value to "1".

4. Adjust the data values listed in the table below as the 100% white part on the screen becomes the most noisy (darkest).

Group	No.	Adjustment (MAIN)
0	- 3	Y Gain
0	- 4	Cr/Pr Gain
0	- 5	Cb/Pb Gain

5. Select Group "200",No."71" and set data value to "0".
6. Adjust the data values listed in the table below as the 100% white part on the screen becomes the most noisy (darkest).

Group	No.	Adjustment (SUB)
10	- 3	Y Gain
10	- 4	Cr/Pr Gain
10	- 5	Cb/Pb Gain

7. Change another input signal and take steps 3-6 again.
8. Select Group "200",No."71"and set data value to "1".
 Select Group "200",No."72"and set data value to "1".

[3] Manual adjustment (Video)

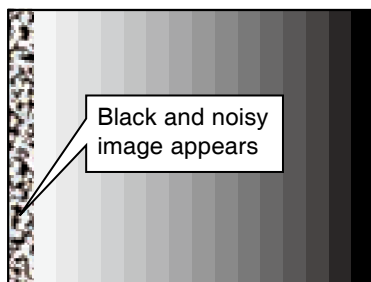
Input mode Video mode (Input 3 Video)
 Input signal 100% color bar signal (480i)

1. Enter the Service mode.
2. Select Group "200", No."72"and set data value to "0".
 Select Group "200", No."71"and set data value to "1".
3. Adjust the data values listed in the table below as the 100% white part on the screen becomes the most noisy (darkest).

Group	No.	Adjustment
20	- 0	Y Level

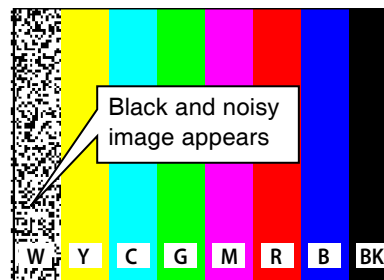
4. Select Group "200",No."72"and set data value to "1".

Image example of manual adjustment for [PC]



16-step gray scale

Image example of manual adjustment for [Component / Video]



100% full color bar

6 Common Voltage adjustment

Input mode	Computer mode (Input 1 RGB)
Input signal	50%-RGB pattern computer signals or 16-step gray scale computer signal

1. Enter the service mode.
2. Select Group "101", No. "1" and then change data value from "2" to "0" to reduce the panel frequency.
3. Change data value to obtain **the minimum flicker** for each color on screen.

<u>Group No.</u>	<u>Adjustment</u>
100 - 11	for red flicker
100 - 9	for green flicker
100 - 10	for blue flicker

4. Select Group "101", No. "1" and then change data value from "0" to "2".

7 Panel Type Check and Setting

* Before setting, you need to check which type of LCD panel is placed on the projector according to the item "LCD Panel/Prism Ass'y removal" in the chapter "Optical Parts Disassembly".

1. Enter the service mode.
2. Panel Type Check
Select group no. "290", item no. "0". Check the data value as follows;
Data value: 0 For L-Type of LCD Panel
Data value: 20 For R-Type of LCD panel
If the mounted LCD panel type and set Panel mode are differ, take the step below.
3. Panel Type Mode Setting
Select group no. "290", item no. "1" and change data value from 10 to 0 or 20 depending on your LCD Panel type. When the data value reaches 0 or 20, it returns to 10 quickly. The gamma-characteristics changes according to your selection.

8 Gamma shipment adjustment

Software PROJECTOR SERVICE TOOL v4.20

Use the software to obtain the proper gray scale. See the further information of the software instruction manual.

9 White Balance adjustment

Input mode	Computer mode (Input 1 RGB)
Input signal	16-step gray scale computer signal

1. Enter the service mode.
2. Change data value to obtain the proper white balance.

<u>Group No.</u>	<u>Adjustment</u>
103 - 4	Red color balance
103 - 6	Blue color balance

10 Color Shading Correction adjustment

Software PROJECTOR SERVICE TOOL v4.20

Use the software to correct the color shading of the screen. See the further information of the software instruction manual.

The color shading correction adjustment for this model should be performed with the whole-gray patterns specified as below.

8-input patterns:
5% gray, 10% gray, 15% gray, 20% gray,
30% gray, 50% gray, 75% gray, 95% gray

11 Wind Sensor calibration

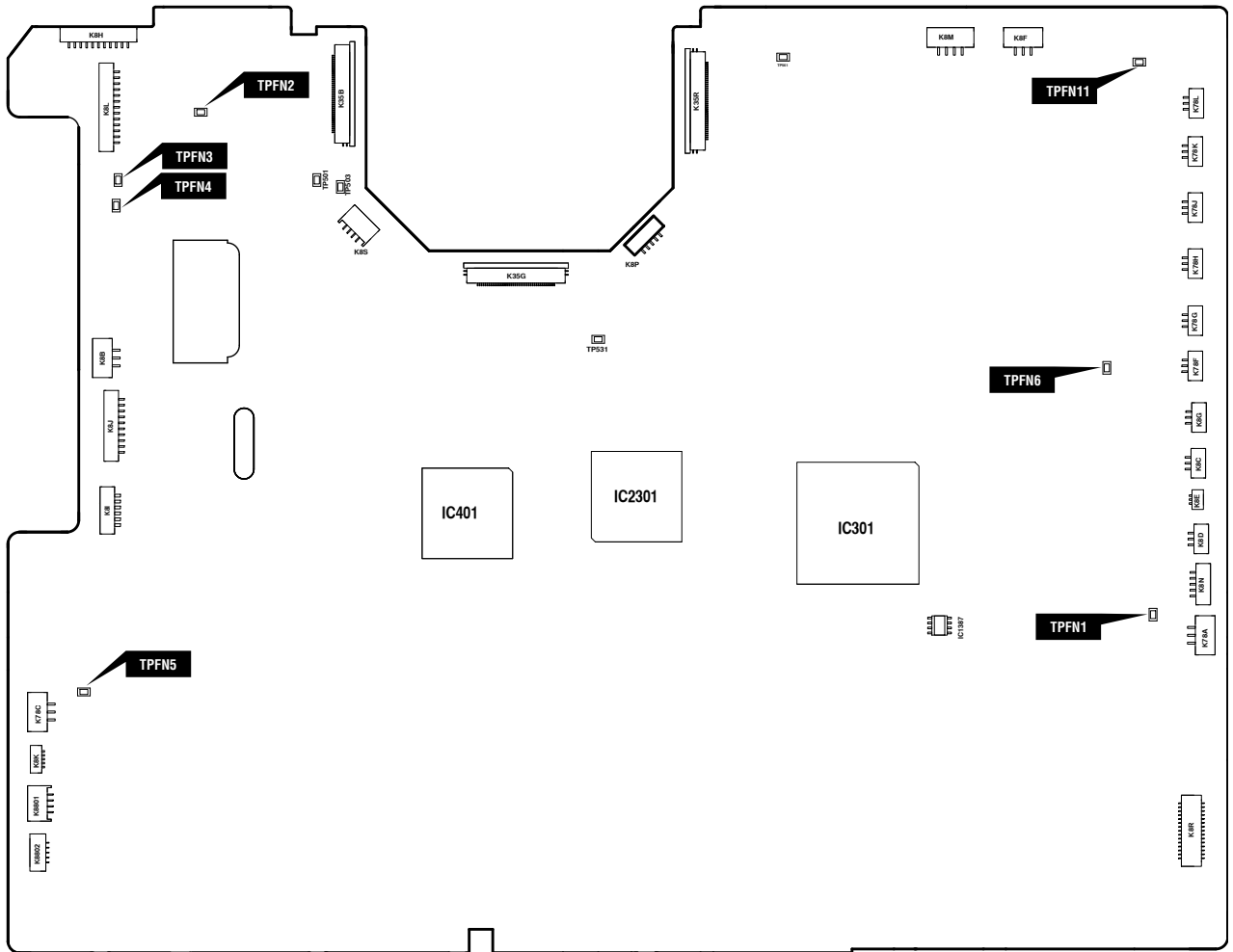
1. Enter the service mode.
2. Select group no. "240" and item no. "2". Confirm the Data value is "1".
0: Wind sensor function Disable
1: Wind sensor function Enable
3. Select group no. "240" and item no. "0".
4. To start the adjustment, change data value from "0" to "1". After the auto-calibration completed, "OK" will appear on the screen.

IMPORTANT

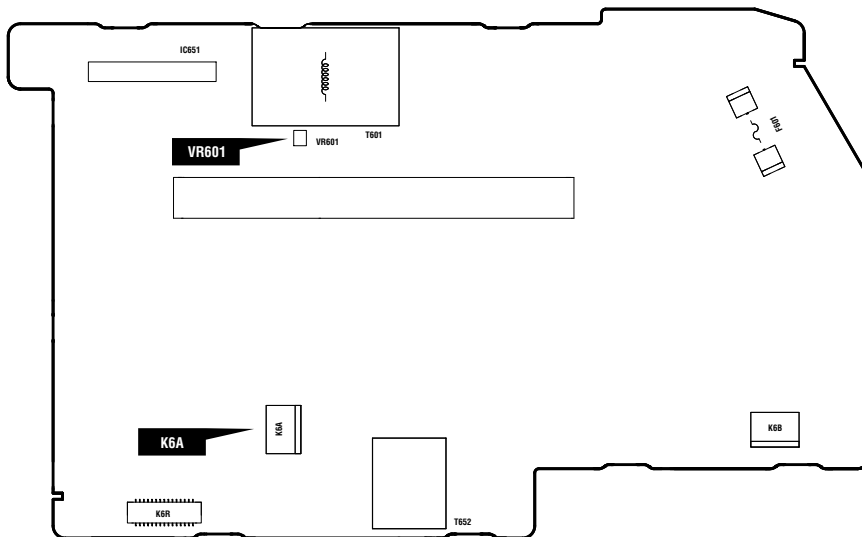
Before taking this adjustment, you need to replace the air filter with new one or scroll up the filter sheet and make sure the cabinet top, filter cover and filter cartridge are securely installed.

Test Points and Locations

MAIN BOARD



POWER BOARD



Electrical Adjustment

Service Adjustment Data Table

These initial values are the reference data written from the CPU ROM to memory IC when replaced new memory IC. The adjustment items indicated with “*:” are required to readjust following to the “Electrical adjustments”. Other items should be used with the initial data value.

Grp / No.	Item	Function	Range	Initial	Note
0	AD Converter (PW392)				
3	ADC G-GAIN	YCbCr 480i (575i) / YCbCr 480p (575p) / YCbCr 720p (720p50) / YCbCr 1080i (1035i, 1080i50) / SCART	0 - 1023	(265)/200/210/ 210/210/265	* () not effective
4	ADC R-GAIN	PC/YCbCr 480i (575i) / YCbCr 480p (575p) / YCbCr 720p (720p50) / YCbCr 1080i (1035i, 1080i50) / SCART	0 - 1023	(265)/205/210/ 210/210/265	* () not effective
5	ADC B-GAIN	PC/YCbCr 480i (575i) / YCbCr 480p (575p) / YCbCr 720p (720p50) / YCbCr 1080i (1035i, 1080i50) / SCART	0 - 1023	(265)/205/210/ 210/210/255	* () not effective
10	SOGTH	RGB/COMPONENT / SCART	0 - 15	(2)/4 / 4	* () not effective
11	SOGHYSDIS	RGBCOMPONENT / SCART	0 - 1	(1)/1 / 0	* () not effective
12	HS1TH	H Sync1 Threshold RGB/COMPONENT / SCART	0 - 15	(4)/4 / 4	* () not effective
13	HS0TH	H Sync0 Threshold RGB/COMPONENT / SCART	0 - 15	(4)/4 / 4	* () not effective
10	AD Converter (ISL98001)				
3	ADC G-GAIN	PC/YCbCr 480i (575i) / YCbCr 480p (575p) / YCbCr 720p (720p50) / YCbCr 1080i (1035i, 1080i50)	0 - 1023	290/(170/185/200/200)	* () not effective
4	ADC R-GAIN	PC/YCbCr 480i (575i) / YCbCr 480p (575p) / YCbCr 720p (720p50) / YCbCr 1080i (1035i, 1080i50)	0 - 1023	290/(140/165/165/165)	* () not effective
5	ADC B-GAIN	PC/YCbCr 480i (575i) / YCbCr 480p (575p) / YCbCr 720p (720p50) / YCbCr 1080i (1035i, 1080i50)	0 - 1023	290/(140/165/165/165)	* () not effective
20	Video Decoder				
0	Y Level	Composite 60Hz/ S-Video 60Hz/ Composite 50Hz / S-Video 50Hz - Y Level (ADC RGB Gain)	0 - 1023	175/175/185/185	
1	C Level	Composite 60Hz / S-Video 60Hz / Composite 50Hz / S-Video 50Hz - C Level (ADC Saturation)	0 - 1023	405/405/440/440	
10	XCXL Parameter	XCXL Level	0 - 4	2	
11	Sync Amp Low	Minimum sync amplitude threshold for HLOCK 1 to 0 transition	0 - 9999	1792	
12	Sync Amp High	Minimum sync amplitude threshold for HLOCK 0 to 1 transition	0 - 9999	4096	
13	Luma Setup Enable	7.5IRE Mode (NTSC only)	0 - 1	0	
14	Anti-Alias Filter	Anti-Alias Filter	0 - 7	4	
15	Anti-Alias Downsample	Anti-Alias Downsample	0 - 3	0	
16	Anti-Alias High Frequency	Anti-Alias High Frequency	0 - 3	3	
20	Comb 3D Cross-Luma Top/Bottom Amplitude	for PAL/SECAM only	0 - 3	3	
40	General				
0	IP Mode	Set at IP OFF 0: Not used IP Block 1: Used IP Block and IP OFF	0 - 1	1	
1	3:2 PullDown Mode	bit0: Global Motion bit1: Video Motion	1 - 3	1	
2	Detect Film Mode Enable	0: 2:3pull down & 2:2pull down 1: 2:3pull down 2: 2:2pull down	0 - 2	0	
3	NR Enable for Analog YUV	0 : Noise Reduction detected with Y and UV motion 1 : Noise Reduction detected with Y motion	0 - 1	1	
4	NR Enable for Digital YUV	Analog YUV : PC/Video/S-Video/Component Digital YUV : HDMI <NSYUVEN>	0 - 1	0	
41	Deinterlacer setting	Progressive Mode1, Film Parameter			
0	Motion Adaptive Weight Value	<KDEINT>	0 - 255	30/30/30	
1	Angle Interpolation Level	0 : Conservative <====> 4 : Aggressive	0 - 5	4/4/4	
2	CUE Low Pass Filter Enable	<CUELPFEN>	0 - 255	0/0/0	
42	Deinterlacer setting	Progressive Mode2 Parameter			
0	Motion Adaptive Weight Value	<KDEINT>	0 - 255	0/0/0	
1	Angle Interpolation Level	0 : Conservative <====> 4 : Aggressive	0 - 5	2/2/2	
2	CUE Low Pass Filter Enable	<CUELPFEN>	0 - 255	0/0/0	
47	Noise Reduction (time)	NR L1 Parameter			
0	Noise Pixel Range	<NSRANGEY> / <NSRANGEUV>	0 - 2	1	
1	Noise Region 0	<NSREGIONY0> / <NSREGIONUV0>	0 - 1023	12	
2	Noise Region 1	<NSREGIONY1> / <NSREGIONUV1>	0 - 1023	24	
3	Noise Region 2	<NSREGIONY2> / <NSREGIONUV2>	0 - 1023	40	
4	Noise Gain Level	<NSFILTERY**> / <NSFILTERUV**>	0 - 255	100	
49	Noise Reduction (time)				
0	Noise Pixel Range	<NSRANGEY> / <NSRANGEUV>	0 - 2	1	

Electrical Adjustment

Grp / No.	Item	Function	Range	Initial	Note
1	Noise Region 0	<NSREGIONY0> / <NSREGIONUV0>	0 - 1023	12	
2	Noise Region 1	<NSREGIONY1> / <NSREGIONUV1>	0 - 1023	24	
3	Noise Region 2	<NSREGIONY2> / <NSREGIONUV2>	0 - 1023	40	
4	Noise Gain Level	<NSFILTERY**> / <NSFILTERUV**>	0 - 255	100	
50 2:2pull down setting					
0	22Film Mode Sensitivity	Film Detection Sensitivity <FILMSTVT22>	1 - 5	4	
1	22Film Mode Threshold Low	<FILMTHRD22A>	0 - 1023	80	
2	22Film Mode Threshold High	<FILMTHRD22B>	0 - 1023	120	
3	Video Motion Window Start X	<VOFSTARX>	0 - 255	10	
4	Video Motion Window Stop X	<VOFSTOPX>	0 - 255	10	
5	Video Motion Window Start Y	<VOFSTARY>	0 - 255	10	
6	Video Motion Window Stop Y	<VOFSTOPY>	0 - 255	10	
51 2:3pull down setting					
0	Global Motion Sensitivity	Film Detection Sensitivity <FILMSTVT23>	1 - 5	4	
1	Video Motion Sensitivity	Film Detection Sensitivity <VOFSTVT>	1 - 5	4	
2	Video Motion Threshold Low	<VOFTHRDA>	0 - 1023	120	
3	Video Motion Threshold High	<VOFTHRDB>	0 - 1023	180	
4	Global Motion 23Film Threshold	<FILMTHRD23>	0 - 1023	100	
5	Global Motion Window Start X	<GMDSTARX>	0 - 255	10	
6	Global Motion Window Stop X	<GMDSTOPX>	0 - 255	10	
7	Global Motion Window Start Y	<GMDSTARY>	0 - 255	10	
8	Global Motion Window Stop Y	<GMDSTOPY>	0 - 255	10	
55 LTI / CTI					
0	Video Enhancement Enable	VEHEN	0 - 1	1	
1	DLTI Gain	DLTIGAIN	0 - 15	3	
2	DLTI Frequency	DLTIFREQ	0 - 3	2	
3	Bypass Anti-Alias Filter	DTIBYPASSAAL	0 - 1	0	
4	Lower DCTI Frequency	LOWERDCTIFREQ	0 - 1	1	
5	DCTI Gain	DCTIGAIN	0 - 15	4	
6	DCTI Frequency	DCTIFREQ	0 - 3	0	
7	Color Shift Limit	COLORSHIFLMT	0 - 3	3	
60 Sub Image					
0	Center Contrast		0 - 1023	534/534/578/492/492/534 /534/492/492/534/492	
1	Center Brightness	Group Composite / S-Video / Component / Digital / D-RGB-Video /AnalogRGB / RGB-Video / HDCP-PC /HDCP-AV /SCART/ PJ- Net	0 - 1023	512/512/512/512/512/496 496/512/512/496/512	
2	Center Color		0 - 1023	512/512/512/512/512/512 /512/512/512/512/512	
3	Center Tint	Value = (Menu Value - Menu Center) x Alpha / 10 + Center (Effective Range)	0 - 180	90/90/90/90/90/90/ 90/90/90/90/90	
5	Fixed Sharpness(Down Scaling)	Contrast [Max] 1023 [Min] 0	0-67	34/34/34/34/34/34/34/34/34/34	
6	Center Sharpness(No FPGA)	Brightness [Max] 1023 [Min] 0	0-90	17/17/17/17/17/17/17/17/17	
7	Center WB Red	Color [Max] 1023 [Min] 0 Tint [Max] 180 [Min] 0	0 - 1023	512/512/512/512/512/512 /512/512/512/512/512	
8	Center WB Green	Sharpness [Max] 57 [Min] 0 (Dummy) WB R/G/B [Max] 1023 [Min] 0 BB R/G/B [Max] 1023 [Min] 0	0 - 1023	512/512/512/512/512/512 /512/512/512/512/512	
9	Center WB Blue	Fixed Sharpness Up/Down [Max] 37 [Min] 0	0 - 1023	512/512/512/512/512/512 /512/512/512/512/512	
10	Center BB Red		0 - 1023	512/512/512/512/512/512 /512/512/512/512/512	
11	Center BB Green		0 - 1023	512/512/512/512/512/512 /512/512/512/512/512	
12	Center BB Blue	Group Composite / S-Video / Component / Digital / D-RGB-Video /AnalogRGB / RGB-Video / HDCP-PC /HDCP-AV /SCART/ PJ- Net	0 - 1023	512/512/512/512/512/512 /512/512/512/512/512	
13	Alpha Contrast		0 - 1000	60/60/60/60/60/60/ 60/60/60/60/60	
14	Alpha Brightness	Value = (Menu Value - Menu Center) x Alpha / 10 + Center (Effective Range)	0 - 1000	90/90/90/90/90/90/ 90/90/90/90/90	
15	Alpha Color	Contrast [Max] 1023 [Min] 0	0 - 1000	140/140/140/140/140/140 /140/140/140/140/140	
16	Alpha Tint	Brightness [Max] 1023 [Min] 0	0 - 1000	10/10/10/10/10/10/ 10/10/10/10/10	
17	Alpha Sharpness	Color [Max] 1023 [Min] 0 Tint [Max] 180 [Min] 0	0 - 1000	10/10/10/10/10/10/ 10/10/10/10/10	
18	Alpha WB Red	Sharpness [Max] 57 [Min] 0 (Dummy)	0 - 1000	40/40/40/40/40/40/ 40/40/40/40/40	
19	Alpha WB Green	WB R/G/B [Max] 1023 [Min] 0	0 - 1000	40/40/40/40/40/40/ 40/40/40/40/40	
20	Alpha WB Blue	BB R/G/B [Max] 1023 [Min] 0	0 - 1000	40/40/40/40/40/40/ 40/40/40/40/40	
21	Alpha BB Red	Fixed Sharpness Up/Down [Max] 37 [Min] 0	0 - 1000	20/20/20/20/20/20/ 20/20/20/20/20	
22	Alpha BB Green		0 - 1000	20/20/20/20/20/20/ 20/20/20/20/20	
23	Alpha BB Blue		0 - 1000	20/20/20/20/20/20/ 20/20/20/20/20	
90 SW-FPGA					
0	CLK_SHIFT	LDVS Clock Phase Adj.	-64 - 63	39	

Electrical Adjustment

Grp / No.	Item	Function	Range	Initial	Note
100	CLK_SHIFT_STATUS		-	-	
101	REGISTER_STATUS		-	-	
100	CXA7009R				
0	G SIG Center		0 - 63	34	
1	B SIG Center		0 - 63	34	
2	R SIG Center		0 - 63	34	
3	G Gain Control		0 - 255	224	
4	B Gain Control		0 - 255	121	
5	R Gain Control		0 - 255	224	
6	G Bright Control		0 - 255	0	
7	B Bright Control		0 - 255	0	
8	R Bright Control		0 - 255	0	
9	G VCOM Control		0 - 255	92	* Common voltage adj.
10	B VCOM Control		0 - 255	92	* Common voltage adj.
11	R VCOM Control		0 - 255	92	* Common voltage adj.
12	G SID Control A		0 - 255	7	
13	B SID Control A		0 - 255	7	
14	R SID Control A		0 - 255	7	
15	G SID Control B		0 - 255	149	
16	B SID Control B		0 - 255	149	
17	R SID Control B		0 - 255	149	
18	G FRINV		0 - 1	1	
19	B FRINV		0 - 1	0	
20	R FRINV		0 - 1	0	
101	CXD3540_TG				
0	SCANM		0 - 3	2	
1	FRPM		0 - 2	2	* Common voltage adj.
2	SCAN_SEL		0 - 1	1	
3	HP		0 - 2047	18	
4	VP_G		0 - 255	4	
5	SHP_R		0 - 127	30	
6	SHP_G		0 - 127	30	
7	SHP_B		0 - 127	30	
8	FRP_HP		0 - 2047	51	
9	PRG_U		0 - 1023	51	
10	PRG_D		0 - 1023	102	
11	HST_R_PF		0 - 127	12	
12	HST_R_PC		0 - 127	9	
13	DCK1_R_WA		0 - 127	5	
14	DCK1_R_F		0 - 127	24	
15	DCK2_R_WA		0 - 127	5	
16	DCK2_R_F		0 - 127	24	
17	DCK3_R_WA		0 - 127	5	
18	DCK3_R_F		0 - 127	0	
19	DCK4_R_WA		0 - 127	5	
20	DCK4_R_F		0 - 127	0	
21	HST_G_PF		0 - 127	12	
22	HST_G_PC		0 - 127	9	
23	DCK1_G_WA		0 - 127	5	
24	DCK1_G_F		0 - 127	24	
25	DCK2_G_WA		0 - 127	5	
26	DCK2_G_F		0 - 127	0	
27	DCK3_G_WA		0 - 127	5	
28	DCK3_G_F		0 - 127	0	
29	DCK4_G_WA		0 - 127	5	
30	DCK4_G_F		0 - 127	0	
31	HST_B_PF		0 - 127	12	
32	HST_B_PC		0 - 127	9	
33	DCK1_B_WA		0 - 127	5	
34	DCK1_B_F		0 - 127	24	
35	DCK2_B_WA		0 - 127	5	
36	DCK2_B_F		0 - 127	24	
37	DCK3_B_WA		0 - 127	5	
38	DCK3_B_F		0 - 127	0	
39	DCK4_B_WA		0 - 127	5	

Electrical Adjustment

Grp / No.	Item	Function	Range	Initial	Note
40	DCK4_B_F		0 - 127	0	
41	PCG_U		0 - 1023	51	
42	PCG_D		0 - 1023	149	
43	ENB_U		0 - 1023	103	
44	ENB_D		0 - 1023	38	
45	CLR_U		0 - 1023	47	
46	CLR_D		0 - 1023	21	
47	VCKP		0 - 2047	51	
48	VCKPD		0 - 2047	1680	
49	VSTP		0 - 255	116	
50	DFT_ON		0 - 1	0	
51	HPC_R_DAT0		0 - 8191	0	
52	HPC_R_DAT1		0 - 8191	0	
53	HPC_G_DAT0		0 - 8191	0	
54	HPC_G_DAT1		0 - 8191	0	
55	HPC_B_DAT0		0 - 8191	0	
56	HPC_B_DAT1		0 - 8191	0	
57	SCAN_HP		0 - 2047	1	
102	CXD3540_DSD_PRE				
0	USER_R_GAIN		0-1023	512	
1	USER_G_GAIN		0-1023	512	
2	USER_B_GAIN		0-1023	512	
3	USER_R_BRIGHT		0-8191	0	
4	USER_G_BRIGHT		0-8191	0	
5	USER_B_BRIGHT		0-8191	0	
6	FRM_DAT		0-255	192	
7	SEL_MODE		0-7	5	
8	RLR_DUM_PIX		0-127	4	
9	SH_ON		0-1	0	
10	SH_GAIN		0-255	127	
11	SH_OFST		0-255	0	
12	SH_CLIP		0-255	127	
103	CXD3540_GAM				
0	GAM_ON		0 - 1	1	
1	GAM_R_GAIN		0 - 1023	512	
2	GAM_G_GAIN		0 - 1023	512	
3	GAM_B_GAIN		0 - 1023	512	
4	GAM_R_BRIGHT		0 - 8191	0	
5	GAM_G_BRIGHT		0 - 8191	0	
6	GAM_B_BRIGHT		0 - 8191	0	
104	CXD3540_VXT				
0	VXT_DETECT_ON		0 - 1	1	
1	VXT_GSEL		0 - 3	1	
2	VXT_RACLC		0 - 1	0	
3	VXT_GACLC		0 - 1	0	
4	VXT_BACLC		0 - 1	0	
5	VXT_ON		0 - 1	1	
6	VXT_RDATU1		0 - 255	1	
7	VXT_RDATU2		0 - 255	30	
8	VXT_RDATU3		0 - 255	12	
9	VXT_GDATU1		0 - 255	1	
10	VXT_GDATU2		0 - 255	30	
11	VXT_GDATU3		0 - 255	12	
12	VXT_BDATU1		0 - 255	12	
13	VXT_GBATU2		0 - 255	46	
14	VXT_GBATU3		0 - 255	12	
15	VXT_RDATL1		0 - 255	1	
16	VXT_RDATL2		0 - 255	15	
17	VXT_RDATL3		0 - 255	6	
18	VXT_GDATL1		0 - 255	1	
19	VXT_GDATL2		0 - 255	15	
20	VXT_GDATL3		0 - 255	6	
21	VXT_BDATL1		0 - 255	1	
22	VXT_BDATL2		0 - 255	15	
23	VXT_BDATL3		0 - 255	6	
24	VXT_TH_ON		0 - 15	14	
25	VXT_TH1		0 - 255	33	

Electrical Adjustment

Grp / No.	Item	Function	Range	Initial	Note
26	VXT_TH2		0 - 255	163	
27	VXT_TH3		0 - 255	202	
28	VXT_TH4		0 - 255	255	
105	CDX3540_CSC				
0	CSC_XH		0 - 1	0	
1	CSC_ON		0 - 1	1	
2	CSC_R_GP1		0 - 511	367	
3	CSC_R_GP2		0 - 511	322	
4	CSC_R_GP3		0 - 511	308	
5	CSC_R_GP4		0 - 511	296	
6	CSC_R_GP5		0 - 511	276	
7	CSC_R_GP6		0 - 511	237	
8	CSC_R_GP7		0 - 511	173	
9	CSC_R_GP8		0 - 511	134	
10	CSC_G_GP1		0 - 511	372	
11	CSC_G_GP2		0 - 511	333	
12	CSC_G_GP3		0 - 511	315	
13	CSC_G_GP4		0 - 511	303	
14	CSC_G_GP5		0 - 511	285	
15	CSC_R_GP6		0 - 511	253	
16	CSC_G_GP7		0 - 511	204	
17	CSC_G_GP8		0 - 511	170	
18	CSC_B_GP1		0 - 511	376	
19	CSC_B_GP2		0 - 511	335	
20	CSC_B_GP3		0 - 511	317	
21	CSC_B_GP4		0 - 511	305	
22	CSC_B_GP5		0 - 511	286	
23	CSC_B_GP6		0 - 511	251	
24	CSC_B_GP7		0 - 511	197	
25	CSC_B_GP8		0 - 511	170	
106	CXD3540_SHAD				
0	SHAD_GSEL		0 - 3	1	
1	SHAD_R_CALC		0 - 1	1	
2	SHAD_G_CALC		0 - 1	1	
3	SHAD_B_CALC		0 - 1	1	
4	SHAD_ON		0 - 1	1	
5	SHAD_R_DAT1		0 - 255	52	
6	SHAD_R_DAT2		0 - 255	12	
7	SHAD_R_DAT3		0 - 255	21	
8	SHAD_G_DAT1		0 - 255	52	
9	SHAD_G_DAT2		0 - 255	12	
10	SHAD_G_DAT3		0 - 255	21	
11	SHAD_B_DAT1		0 - 255	44	
12	SHAD_B_DAT2		0 - 255	50	
13	SHAD_B_DAT3		0 - 255	21	
14	SHAD_COFF		0 - 4095	1310	
107	CXD3540_VS				
0	VS_GSEL		0 - 3	0	
1	VS_R_RGT		0 - 1	0	
2	VS_G_RGT		0 - 1	0	
3	VS_B_RGT		0 - 1	0	
4	VS_CYCLE		0 - 1	0	
5	VS_ON		0 - 1	0	
6	VS_GDAT1		0 - 255	0	
7	VS_DAT		0 - 255	0	
8	VS_GDAT3		0 - 255	0	
9	VS_GDAT2		0 - 255	0	
108	CXD3540_DSDPOST1				
0	HXT_TH4_ON		0 - 1	0	
1	HXT_TH3_ON		0 - 1	0	
2	HXT_TH2_ON		0 - 1	0	
3	HXT_TH1_ON		0 - 1	0	
4	HXT_ON		0 - 1	0	
5	HXT_RCALC		0 - 1	0	
6	HXT_GCALC		0 - 1	0	
7	HXT_BCALC		0 - 1	0	

Electrical Adjustment

Grp / No.	Item	Function	Range	Initial	Note
8	HXT_GSEL		0 - 3	0	
9	HXT_RDAT1		0 - 255	0	
10	HXT_RDAT2		0 - 255	0	
11	HXT_RDAT3		0 - 255	0	
12	HXT_GDAT1		0 - 255	0	
13	HXT_GDAT2		0 - 255	0	
14	HXT_GDAT3		0 - 255	0	
15	HXT_BDAT1		0 - 255	0	
16	HXT_BDAT2		0 - 255	0	
17	HXT_BDAT3		0 - 255	0	
18	HXT_TH1		0 - 255	0	
19	HXT_TH2		0 - 255	0	
20	HXT_TH3		0 - 255	0	
21	HXT_TH4		0 - 255	0	
22	SEL_MODE2		0 - 7	5	
109	CXD3540_WEC1				
0	WEC_ON		0 - 1	1	
200	Option				
0	Logo Display Prohibition	0:Menu 1:Forced	0 - 1	0	
1	RS232C Baudrate	0: 19200bps 1: 9600bps	0 - 1	0	
4	CABLE SW	Long Cable 0: Disable 1: Enable	0 - 1	0	
5	PW Debug Command Enable	0: Disable (Serial Command Enable) 1: Enable (PW Debug Mode)	0 - 1	0	
6	Device Refresh Disable	0: Enable 1: Disable	0 - 1	0	
8	PJ-NET Hung up check	0: Enable 1: Disable	0 - 1	0	
15	Lens Shift Position Default Setting	Reset when the value is set to 10	0 - 10	0	
50	Lamp Replacement Display	1:On 0:Off	0 - 1	1	
51	Filter Warning Display	1:On 0:Off	0 - 1	1	
53	Filter Counter Reset Times	Read only	0 - 255	0	
54	Factory Default Execute Times	Read only	0 - 255	0	
55	Motor Operation Stop	0: Enable 1: Disable	0 - 1	0	
56	Menu Position Change (X)		0 - 1024	0	
57	Menu Position Change (Y)		0 - 1024	0	
58	Lamp Go Out	Lamp goes out	0 - 1	0	
63	Source Search Enable	0: Disable, 1: Enable	0 - 1	1	
70	ADC Device Select for Analog PC	0 = ISL98001, 1 = PW392 AFE	0 - 1	0	
71	ADC Device Select for Component	0 = ISL98001, 1 = PW392 AFE	0 - 1	1	
72	Component/RGB Auto switch	0: Disable, 1: Enable if set 1, disable items 70 and 71	0 - 1	1	
80	Destination	Language Set at Shipping 0:English 1:Japanese	0 - 1	0	
95	Flicker Mode 1	0: Disable, 1: Enable	0 - 1	0	
96	Flicker Mode 2		0 - 15	8	
110	Monitor out at Cooling	0: Output at Cooling time, 0: Disable at Cooling	0 - 1	0	
111	Image Mute&Still Linkage Enable	0: Disable, 1: Enable	0 - 1	1	
112	Image Mute&Still Monitor Out Linkage Enable	0: Disable, 1: Enable	0 - 1	1	
120	HDMI HPD/EDIO	0: Enable, 1: Disable	0 - 1	1	
130	Start Logo Counter	0: 30 sec. 1: 20 sec.	0 - 1	0	
140	Offset Addition Setting status	0: Not Executing 1: Executing	-	0	
141	Offset Addition Setting change	Shutter Down Temp. Raising	0 - 10	0	
142	Offset Value		-	10	
143	Offset Addition Setting Executing times		0 - 255	0	
144	Offset Addition Setting Releasing times		0 - 255	0	
150	Shutter Down Key operation	0:Any Key 1: Shutter Key Only	0 - 1	0	
201	Option (Signal)				
0	FrameLock Option	Frame Lock Setting 0:Off at PC , 1: Off at AV, 2: All Off, 3: Normal, 4: Normal	0 - 4	4	
1	Dither Enable	0: Disable 1: Enable	0 - 1	1	
3	Field Sense Invert Enable	0: Disable, 1: Enable	0 - 1	0	
205	Spread Spectrum				
0	Enable	0: OFF, 1: ON	0 - 1	1	
1	Spread factor	Default: 100	0 - 300	200	
2	ModulationFrequency	Default: 300	1 - 500	150	
210	Lamp Control				

Electrical Adjustment

Grp / No.	Item	Function	Range	Initial	Note
0	Dimmer SW	0:Auto 1:Manual	0 - 1	0	
1	Manual Control	Lamp Power Manual Control (DIMMER_CTRL_LEVEL 0(Dark)-15(Bright))	0 - 15	0	
2	DIMMER_CTRL_LEVEL1	Y Level1 Data for Dimmer	0 - 255	7	
3	DIMMER_CTRL_LEVEL2	Y Level2 Data for Dimmer	0 - 255	14	
4	DIMMER_CTRL_LEVEL3	Y Level3 Data for Dimmer	0 - 255	21	
5	DIMMER_CTRL_LEVEL4	Y Level4 Data for Dimmer	0 - 255	28	
6	DIMMER_CTRL_LEVEL5	Y Level5 Data for Dimmer	0 - 255	35	
7	DIMMER_CTRL_LEVEL6	Y Level6 Data for Dimmer	0 - 255	42	
8	DIMMER_CTRL_LEVEL7	Y Level7 Data for Dimmer	0 - 255	49	
9	DIMMER_CTRL_LEVEL8	Y Level8 Data for Dimmer	0 - 255	56	
10	DIMMER_CTRL_LEVEL9	Y Level9 Data for Dimmer	0 - 255	63	
11	DIMMER_CTRL_LEVEL10	Y Level10 Data for Dimmer	0 - 255	70	
12	DIMMER_CTRL_LEVEL11	Y Level11 Data for Dimmer	0 - 255	77	
13	DIMMER_CTRL_LEVEL12	Y Level12 Data for Dimmer	0 - 255	84	
14	DIMMER_CTRL_LEVEL13	Y Level13 Data for Dimmer	0 - 255	91	
15	DIMMER_CTRL_LEVEL14	Y Level14 Data for Dimmer	0 - 255	98	
16	DIMMER_CTRL_LEVEL15	Y Level15 Data for Dimmer	0 - 255	105	
17	DIMMER_AVERAGE_POINT	Y Average Point	1 - 16	4	
18	DIMMER_AVERAGE_DATA	Y Average Data (Read only)	-	-	
19	DIMMER_LEVEL_AUTO	Current Y Level (Read only)	-	-	
20	DIMMER_LEVEL_NORMAL	Dim Level at Normal	0 - 15	15	
21	DIMMER_LEVEL_ECO	Dim Level at Eco	0 - 15	0	
23	VOLTAGE_LEVEL	Lamp Voltage (Read only)	-	-	
220 Projector Error Log					
0	Warning_Log_1	Latest Error log	0 - 32767	0	
:	:	:	:	:	
49	Warning_Log_50	50th Error log	0 - 32767	0	
50	Warning_Log Reset	Log is cleared when the value is set to 10.	0 - 10	0	
235 Shutter					
0	PRE_MOTION	Shutter Warm - up Operation (0: Yes, 1: No)	0 - 1	Initial: 1 / Shipping: 0	
1	CMP_TRM	Chattering Detecting Term	0 - 32767	7000	
2	OUT_DLY_TRM	Output Term	0 - 32767	15000	
3	CMP_CHK_CNT	Count of Information Sync	0 - 15	0	
4	OPEN_DLY	Open Output Delay	0 - 63	0	
5	CLOSE_DLY	Close Output Delay	0 - 63	0	
6	Position Check Time	Position Check Time	1 - 255	50	
8	Enable Close Cmd	Shutter Close Command 0: Disable, 1: Enable	0 - 1	1	
9	Speed Control	Shutter Speed	0 - 255	0	
10	Shutter Management Upper Time		180- 999	480	
240 Flow Calibration					
0	Flow Calibration Exe	Flow Sensor Offset Calibration Start calibration when the value is set to 1.	0 - 1	0	* Wind sensor calibration.
1	Flow Calibration Error Log	Log of Calibration Error (Read only) 255: Not Calibration 0: No Error 10: 1st Calibration Not Stable Airflow 11: 1st Calibration Out of Range 20: 2nd Not Stable Airflow 21: 2nd Out of Range 100: 10th Calibration Not Stable Airflow 101: 10th Calibration Out of Range	-	255	
2	Clog Check Enable	Filter Clogged Detection by Flow Sensor (0: Disable, 1: Enable)	0 - 1	Initial: 0 / Shipping: 1	
3	Air Inlet Check Enable	Air inlet Error Detection by Wind Sensor (0: Disable, 1: Enable)	0 - 1	Initial: 0 / Shipping: 1	
4	Time Limit Auto Scroll Enable	Auto Scroll (0: Disable, 1: Enable)	0 - 1	1	
5	Clog Auto Cooling Enable	Auto Cooling at Clog (0: Disable, 1: Enable)	0 - 1	1	
6	Scroll Fail Auto Cooling Enable	Auto Cooling at Scroll Error (0: Disable, 1: Enable)	0 - 1	1	
7	Timer Force Scroll Enable	Filter Timer (0: Disable, 1: Enable)	0 - 1	0	
241 Flow Ideal Data (Value will be set after calibration)					
0	Flow Ideal Data 1	Flow Sensor Theory Value No.1 Corresponding to Fan Volt No.1	0 - 1023	263	
1	Flow Ideal Data 2	Flow Sensor Theory Value No.2 Corresponding to Fan Volt No.2	0 - 1023	286	
2	Flow Ideal Data 3	Flow Sensor Theory Value No.3 Corresponding to Fan Volt No.3	0 - 1023	308	
3	Flow Ideal Data 4	Flow Sensor Theory Value No.4 Corresponding to Fan Volt No.4	0 - 1023	328	
4	Flow Ideal Data 5	Flow Sensor Theory Value No.5 Corresponding to Fan Volt No.5	0 - 1023	346	
5	Flow Ideal Data 6	Flow Sensor Theory Value No.6 Corresponding to Fan Volt No.6	0 - 1023	361	
6	Flow Ideal Data 7	Flow Sensor Theory Value No.7 Corresponding to Fan Volt No.7	0 - 1023	371	
7	Flow Ideal Data 8	Flow Sensor Theory Value No.8 Corresponding to Fan Volt No.8	0 - 1023	383	

Electrical Adjustment

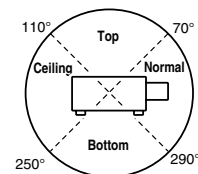
Grp / No.	Item	Function	Range	Initial	Note
242	Flow Calib. Fan Volt	(Not Memorized)			
0	Flow Calib Fan Volt 1	Flow Sensor Calibration Fan Voltage No.1 [x10 V]	0 - 255	42	
1	Flow Calib Fan Volt 2	Flow Sensor Calibration Fan Voltage No.2 [x10 V]	0 - 255	50	
2	Flow Calib Fan Volt 3	Flow Sensor Calibration Fan Voltage No.3 [x10 V]	0 - 255	60	
3	Flow Calib Fan Volt 4	Flow Sensor Calibration Fan Voltage No.4 [x10 V]	0 - 255	75	
4	Flow Calib Fan Volt 5	Flow Sensor Calibration Fan Voltage No.5 [x10 V]	0 - 255	90	
5	Flow Calib Fan Volt 6	Flow Sensor Calibration Fan Voltage No.6 [x10 V]	0 - 255	105	
6	Flow Calib Fan Volt 7	Flow Sensor Calibration Fan Voltage No.7 [x10 V]	0 - 255	120	
7	Flow Calib Fan Volt 8	Flow Sensor Calibration Fan Voltage No.8 [x10 V]	0 - 255	138	
243	Flow Calib Effective Difference	(Not Memorized)			
0	Flow Calib Effective Diff 1	Flow Sensor Calibration Range Diff No.1 [ADC]	0 - 1023	300	
1	Flow Calib Effective Diff 2	Flow Sensor Calibration Range Diff No.2 [ADC]	0 - 1023	300	
2	Flow Calib Effective Diff 3	Flow Sensor Calibration Range Diff No.3 [ADC]	0 - 1023	300	
3	Flow Calib Effective Diff 4	Flow Sensor Calibration Range Diff No.4 [ADC]	0 - 1023	300	
4	Flow Calib Effective Diff 5	Flow Sensor Calibration Range Diff No.5 [ADC]	0 - 1023	300	
5	Flow Calib Effective Diff 6	Flow Sensor Calibration Range Diff No.6 [ADC]	0 - 1023	300	
6	Flow Calib Effective Diff 7	Flow Sensor Calibration Range Diff No.7 [ADC]	0 - 1023	300	
7	Flow Calib Effective Diff 8	Flow Sensor Calibration Range Diff No.8 [ADC]	0 - 1023	300	
244	Flow Clog Threshold	(Not Memorized)			
0	Flow Clog Threshold 1	Flow Sensor Clogged Threshold No.1[ADC]	0 - 1023	60	
1	Flow Clog Threshold 2	Flow Sensor Clogged Threshold No.2[ADC]	0 - 1023	68	
2	Flow Clog Threshold 3	Flow Sensor Clogged Threshold No.3[ADC]	0 - 1023	83	
3	Flow Clog Threshold 4	Flow Sensor Clogged Threshold No.4[ADC]	0 - 1023	102	
4	Flow Clog Threshold 5	Flow Sensor Clogged Threshold No.5[ADC]	0 - 1023	120	
5	Flow Clog Threshold 6	Flow Sensor Clogged Threshold No.6[ADC]	0 - 1023	134	
6	Flow Clog Threshold 7	Flow Sensor Clogged Threshold No.7[ADC]	0 - 1023	145	
7	Flow Clog Threshold 8	Flow Sensor Clogged Threshold No.8[ADC]	0 - 1023	158	
10	Flow Inlet Err Threshold1	Flow Sensor Inlet Err Threshold No.1[ADC]	0 - 1023	102	
11	Flow Inlet Err Threshold2	Flow Sensor Inlet Err Threshold No.2[ADC]	0 - 1023	151	
12	Flow Inlet Err Threshold3	Flow Sensor Inlet Err Threshold No.3[ADC]	0 - 1023	186	
13	Flow Inlet Err Threshold4	Flow Sensor Inlet Err Threshold No.4[ADC]	0 - 1023	234	
14	Flow Inlet Err Threshold5	Flow Sensor Inlet Err Threshold No.5[ADC]	0 - 1023	268	
15	Flow Inlet Err Threshold6	Flow Sensor Inlet Err Threshold No.6[ADC]	0 - 1023	316	
16	Flow Inlet Err Threshold7	Flow Sensor Inlet Err Threshold No.7[ADC]	0 - 1023	340	
17	Flow Inlet Err Threshold8	Flow Sensor Inlet Err Threshold No.8[ADC]	0 - 1023	376	
245	Filter Roll				
0	Take Up Bend	Remove Filter Flexure Starts when the Value is set to 1.	0 - 1	0	
1	Take Up Times	Remaining Times of Filter Scroll (Read only)	-	-	
2	Take Up Time Reset	Filter Scroll Times Reset Resets Remaining Scroll Times when the Value is set to 10.	0 - 10	0	
3	Scroll Counter Reset Time	Scroll Counter Reset Times (Read only)	0 - 255	-	
4	Scroll Information Cartridge No		0 - 2	0	
246	Flow Clog Monitor	(Read only)			
0	Real Flow Data	Real Flow Data [ADC] (Read only)	0 - 1023	-	
1	Ideal Flow Data	Theory Flow Data (Read only)	0 - 1023	-	
2	Flow Difference Data	Flow Difference Data [ADC] (Read only)	-1023 - 1023	-	
3	Clog Detect Flow Difference Data	Difference Data to judge the Filter Clogged [ADC] (Read only)	0 - 1023	-	
4	Warn Detect Flow Difference Data	Difference Data to judge the Filter Clogged Warning [ADC] (Read only)	0 - 1023	-	
5	Press Add Data	Add Data by Air Pressure (Read only)	0 - 1023	-	
6	Filter Scroll Timer	Timer for Filter Scroll [hour] (Read only)	0 - 32767	-	
7	Air Inlet Err Difference Data	Difference Data to judge the Inlet Error [ADC] (Read only)	0 - 1023	-	
247	Filter Scroll Time	(Read only)			

Electrical Adjustment

Grp / No.	Item	Function	Range	Initial	Note	
0	Filter 1st Cartridge Scroll Time 1		0 - 32767	9999		
1	Filter 1st Cartridge Scroll Time 2		0 - 32767	9999		
2	Filter 1st Cartridge Scroll Time 3		0 - 32767	9999		
3	Filter 1st Cartridge Scroll Time 4		0 - 32767	9999		
4	Filter 1st Cartridge Scroll Time 5	1st Filter Cartridge Used time at N times Scrolling [hour] (N:1-10)	0 - 32767	9999		
5	Filter 1st Cartridge Scroll Time 6		0 - 32767	9999		
6	Filter 1st Cartridge Scroll Time 7		0 - 32767	9999		
7	Filter 1st Cartridge Scroll Time 8		0 - 32767	9999		
8	Filter 1st Cartridge Scroll Time 9		0 - 32767	9999		
9	Filter 1st Cartridge Scroll Time 10		0 - 32767	9999		
10	Filter 2nd Cartridge Scroll Time 1		0 - 32767	9999		
11	Filter 2nd Cartridge Scroll Time 2		0 - 32767	9999		
12	Filter 2nd Cartridge Scroll Time 3	2nd Filter Cartridge Used time at N times Scrolling [hour] (N:1-10)	0 - 32767	9999		
13	Filter 2nd Cartridge Scroll Time 4		0 - 32767	9999		
14	Filter 2nd Cartridge Scroll Time 5		0 - 32767	9999		
15	Filter 2nd Cartridge Scroll Time 6		0 - 32767	9999		
16	Filter 2nd Cartridge Scroll Time 7		0 - 32767	9999		
17	Filter 2nd Cartridge Scroll Time 8		0 - 32767	9999		
18	Filter 2nd Cartridge Scroll Time 9		0 - 32767	9999		
19	Filter 2nd Cartridge Scroll Time 10		0 - 32767	9999		
20	Filter 3rd Cartridge Scroll Time 1		0 - 32767	9999		
21	Filter 3rd Cartridge Scroll Time 2		0 - 32767	9999		
22	Filter 3rd Cartridge Scroll Time 3	3rd Filter Cartridge Used time at N times Scrolling [hour] (N:1-10)	0 - 32767	9999		
23	Filter 3rd Cartridge Scroll Time 4		0 - 32767	9999		
24	Filter 3rd Cartridge Scroll Time 5		0 - 32767	9999		
25	Filter 3rd Cartridge Scroll Time 6		0 - 32767	9999		
26	Filter 3rd Cartridge Scroll Time 7		0 - 32767	9999		
27	Filter 3rd Cartridge Scroll Time 8		0 - 32767	9999		
28	Filter 3rd Cartridge Scroll Time 9		0 - 32767	9999		
29	Filter 3rd Cartridge Scroll Time 10		0 - 32767	9999		
248	Filter Scroll Factor	(Read only)				
0	Filter 1st Cartridge Scroll Factor 1		0 - 255	255		
1	Filter 1st Cartridge Scroll Factor 2	1st Filter Cartridge Scrolling Factor at N times Scrolling (N:1-10)	0 - 255	255		
2	Filter 1st Cartridge Scroll Factor 3		0: Manual Scrolling with OSD Menu	0 - 255	255	
3	Filter 1st Cartridge Scroll Factor 4		1: Auto Scrolling detecting by Filter Clogged	0 - 255	255	
4	Filter 1st Cartridge Scroll Factor 5		2: Auto Scrolling detecting by specified maximum used time per a sheet	0 - 255	255	
5	Filter 1st Cartridge Scroll Factor 6			0 - 255	255	
6	Filter 1st Cartridge Scroll Factor 7			0 - 255	255	
7	Filter 1st Cartridge Scroll Factor 8			0 - 255	255	
8	Filter 1st Cartridge Scroll Factor 9			0 - 255	255	
9	Filter 1st Cartridge Scroll Factor 10			0 - 255	255	
10	Filter 2nd Cartridge Scroll Factor 1			0 - 255	255	
11	Filter 2nd Cartridge Scroll Factor 2	2nd Filter Cartridge Scrolling Factor at N times Scrolling (N:1-10)	0 - 255	255		
12	Filter 2nd Cartridge Scroll Factor 3		0: Manual Scrolling with OSD Menu	0 - 255	255	
13	Filter 2nd Cartridge Scroll Factor 4		1: Auto Scrolling detecting by Filter Clogged	0 - 255	255	
14	Filter 2nd Cartridge Scroll Factor 5		2: Auto Scrolling detecting by specified maximum used time per a sheet	0 - 255	255	
15	Filter 2nd Cartridge Scroll Factor 6			0 - 255	255	
16	Filter 2nd Cartridge Scroll Factor 7			0 - 255	255	
17	Filter 2nd Cartridge Scroll Factor 8			0 - 255	255	
18	Filter 2nd Cartridge Scroll Factor 9			0 - 255	255	
19	Filter 2nd Cartridge Scroll Factor 10			0 - 255	255	
20	Filter 3rd Cartridge Scroll Factor 1			0 - 255	255	
21	Filter 3rd Cartridge Scroll Factor 2	3rd Filter Cartridge Scrolling Factor at N times Scrolling (N:1-10)	0 - 255	255		
22	Filter 3rd Cartridge Scroll Factor 3		0: Manual Scrolling with OSD Menu	0 - 255	255	
23	Filter 3rd Cartridge Scroll Factor 4		1: Auto Scrolling detecting by Filter Clogged	0 - 255	255	
24	Filter 3rd Cartridge Scroll Factor 5		2: Auto Scrolling detecting by specified maximum used time per a sheet	0 - 255	255	
25	Filter 3rd Cartridge Scroll Factor 6			0 - 255	255	
26	Filter 3rd Cartridge Scroll Factor 7			0 - 255	255	
27	Filter 3rd Cartridge Scroll Factor 8			0 - 255	255	
28	Filter 3rd Cartridge Scroll Factor 9			0 - 255	255	
29	Filter 3rd Cartridge Scroll Factor 10			0 - 255	255	
249	Pressure Sensor					
0	Pressure Monitor	Pressure Value (Original) [ADC]		-		
1	Pressure Moniture	Pressure Value (Compensated)[ADC]		-		
2	Press Offset	Offset Value	-1023 - 1023	0		
3	Press Calib Effective Diff	Effective Range of Calibration	0 - 1023	1023		

Electrical Adjustment

Grp / No.	Item	Function	Range	Initial	Note		
4	Press Sensor Calibration Log	Calibration LOG 0: Executed and Adequate Offset Value 10: Out of Range (Mini) 20: Out of Range (Max) 99: Not executed	-	99			
250	Fan Voltage Adjustment				* Fan voltage adj.		
0	Fan 1 Min Adjust (DAC)		0-255	84			
1	Fan 1 Max Adjust (DAC)		0-255	237			
2	Fan 2 Min Adjust (DAC)		0-255	83			
3	Fan 2 Max Adjust (DAC)		0-255	240			
4	Fan 3 Min Adjust (DAC)		0-255	40			
5	Fan 3 Max Adjust (DAC)		0-255	244			
6	Fan 4 Min Adjust (DAC)	DAC Output for Fan Voltage adj.	0-255	40			
7	Fan 4 Max Adjust (DAC)	Adjust Tolerance between DAC and Fan Volt. *Lamp Mode: Eco	0-255	230			
8	Fan 5 Min Adjust (DAC)		0-255	41			
9	Fan 5 Max Adjust (DAC)		0-255	232			
10	Fan 6 Min Adjust (DAC)		0-255	43			
11	Fan 6 Max Adjust (DAC)		0-255	233			
12	Fan 7 Min Adjust (DAC)		0-255	39			
13	Fan 7 Max Adjust (DAC)		0-255	229			
252	Fan Option						
1	Safety Switch	Safety Application use	0-6	0			
2	Fan Manual Switch	Fan Manual SW (0: Auto 1: Manual)	0-1	0			
3	Fan1 Manual Voltage		0-255	100			
4	Fan2 Manual Voltage		0-255	100			
5	Fan3 Manual Voltage		0-255	100			
6	Fan4 Manual Voltage	Manual Adjustment Mode (0.1V)	0-255	100			
7	Fan5 Manual Voltage	*Effective only when Manual SW is 1.	0-255	100			
8	Fan6 Manual Voltage		0-255	100			
9	Fan7 Manual Voltage		0-255	100			
10	Angle Data A	Angle Data A (Read only)	-	-			
11	Angle Data B	Angle Data B (Read only)	-	-			
12	Press Data	Air Pressure Data (Read only)	-	-			
253	Fan Temp Error Setting	(Memorized)					
5	Temp A Warning (Normal)	Temp A (Room) to judge the Temp Error at Normal	30-100	47	48	46	46
6	Temp B Warning (Normal)	Temp B (Lamp) to judge the Temp Error at Normal	30-100	71	73	71	71
7	Temp C Warning (Normal)	Temp C (Panel) to judge the Temp Error at Normal	30-100	65	67	65	64
8	Temp B-A Warning (Normal)	Temp B - A (Filter Clogged) to judge the Temp Error at Normal	0-100	100	100	100	100
9	Temp C-A Warning (Normal)	Temp C - A (Filter Clogged) to judge the Temp Error at Normal	0-100	100	100	100	100
10	Temp A Warning (Eco)	Temp A (Room) to judge the Temp Error at Eco	30-100	48	48	46	46
11	Temp B Warning (Eco)	Temp B (Lamp) to judge the Temp Error at Eco	30-100	71	71	70	69
12	Temp C Warning (Eco)	Temp C (Panel) to judge the Temp Error at Eco	30-100	65	65	63	63
13	Temp B-A Warning (Eco)	Temp B - A (Filter Clogged) to judge the Temp Error at Eco	0-100	100	100	100	100
14	Temp C-A Warning (Eco)	Temp C - A (Filter Clogged) to judge the Temp Error at Eco	0-100	100	100	100	100
15	Temp A Warning Offset (Temp)		0-100		10		
16	Temp B Warning Offset (Temp)		0-100		11		
17	Temp C Warning Offset (Temp)	Temp Warning Offset (Temp)	0-100		13		
18	Temp B-A Warning Offset (Temp)		0-100		11		
19	Temp C-A Warning Offset (Temp)		0-100		13		
20	Temp A Warning Offset (Time)		0-40		30		
21	Temp B Warning Offset (Time)		0-40		25		
22	Temp C Warning Offset (Time)	Time Warning Offset (Time)	0-40		30		
23	Temp B-A Warning Offset (Time)		0-40		15		
24	Temp C-A Warning Offset (Time)		0-40		15		
254	Fan Control Range Setting (Temp/Spinning)						
16	Normal Fan Control Min Temp	Temp Sensor Control Start/End Temp at Normal	20-100	25	26	25	26
17	Normal Fan Control Max Temp		20-100	37	37	36	36



Electrical Adjustment

Grp / No.	Item	Function	Range	Initial	Note
18	Normal Fan1 Min		0000-9990 70	70	70
19	Normal Fan1 Max		0000-9990 138	138	138
20	Normal Fan2 Min		0000-9990 60	60	60
21	Normal Fan2 Max		0000-9990 138	138	138
22	Normal Fan3 Min		0000-9990 35	55	55
23	Normal Fan3 Max		0000-9990 35	60	60
24	Normal Fan4 Min	Fan Spinning Set at Normal (Min/Max) (0.1V)	0000-9990 60	60	60
25	Normal Fan4 Max		0000-9990 138	138	138
26	Normal Fan5 Min		0000-9990 70	70	70
27	Normal Fan5 Max		0000-9990 100	100	100
28	Normal Fan6 Min		0000-9990 55	35	60
29	Normal Fan6 Max		0000-9990 55	35	60
30	Normal Fan7 Min		0000-9990 56	56	56
31	Normal Fan7 Max		0000-9990 98	98	98
32	Eco Fan Control Min Temp	Temp Sensor Control Start/End Temp at Eco	20-100	25	26
33	Eco Fan Control Max Temp		20-100	37	35
34	Eco Fan1 Min		0000-9990 45	45	45
35	Eco Fan1 Max		0000-9990 120	120	120
36	Eco Fan2 Min		0000-9990 42	42	42
37	Eco Fan2 Max		0000-9990 120	120	120
38	Eco Fan3 Min		0000-9990 35	40	35
39	Eco Fan3 Max		0000-9990 35	40	35
40	Eco Fan4 Min	Fan Spinning Set at Eco (Min/Max) (0.1V)	0000-9990 45	45	45
41	Eco Fan4 Max		0000-9990 120	120	120
42	Eco Fan5 Min		0000-9990 55	55	55
43	Eco Fan5 Max		0000-9990 80	80	80
44	Eco Fan6 Min		0000-9990 40	35	40
45	Eco Fan6 Max		0000-9990 40	35	40
46	Eco Fan7 Min		0000-9990 45	50	45
47	Eco Fan7 Max		0000-9990 98	98	98
255	Fan Start/Cooling Setting				
0	Fan1 Initial Volt		0-255	45	
1	Fan2 Initial Volt		0-255	45	
2	Fan3 Initial Volt		0-255	45	
3	Fan4 Initial Volt	Fan Start Voltage (0.1V)	0-255	45	
4	Fan5 Initial Volt		0-255	65	
5	Fan6 Initial Volt		0-255	45	
6	Fan7 Initial Volt		0-255	55	
8	Cooling Time	Coolong Time Setting (x30 sec.) 1: 30 3: 90 15: 450	1-15	3	
10	Temp Error Cooling Time	Cooling Time Setting When the Temp Error occurs (x30 sec.) 1: 30 3: 90 15: 450	1-15	3	
11	OnStart Cooling Start Threshold		0-100	38	
12	After shutdown cooling	Cooling Operation after Shut Down (0: No, 1: Yes)	0-1	1	
256	Fan Lamp Voltage Down Setting				
0	Lamp Voltage	Current Lamp Voltage (1V) (Read only)	0-255	---	
1	Lamp Vol Threshold	Threshold Voltage (1V)	30-90	30	
2	Fan1 Speed Gain	Fan Speed Ad Gain (0.1V)	0-1500	0	
3	Fan2 Speed Gain		0-1500	10	
4	Fan3 Speed Gain		0-1500	10	
5	Fan4 Speed Gain		0-1500	10	
257	Fan Setting at Dimmer				
0	Dimmer Average Check Period	Dimmer Average Check Period (sec.) 0: 10, 1: 30, 2: 60, 3: 90.....10:300	0-10	1	
259	Fan Air Pressure Setting				
0	Press Source Range Low	Pressure Sensor Control Range (AD)	0-1023	661	
1	Press Source Range High		0-1023	398	
6	Press Fan Add Range High	Add value of Fan control for Lamp Fan at Normal	0-5000	10	
7	Press Fan Add Range Low		0-5000	30	
8	Press Fan Add Range High	Add value of Fan control for other fans at Normal	0-5000	20	
9	Press Fan Add Range Low		0-5000	40	
10	Press Fan Add Range High	Add value of Fan control for Lamp Fan at Eco	0-5000	5	
11	Press Fan Add Range Low		0-5000	15	
12	Press Fan Add Range High	Add value of Fan control for other fans at Eco	0-5000	20	
13	Press Fan Add Range Low		0-5000	40	
17	Temp A Warning Normal Highland	Temp A (Room) to judge the Temp Error at Normal/Highland	0 - 100	48	

Electrical Adjustment

Grp / No.	Item	Function	Range	Initial	Note
18	Temp B Warning Normal Highland	Temp B (Lamp) to judge the Temp Error at Normal/Highland	0 - 100	73	
19	Temp CB Warning Normal Hiland	Temp C (Panel) to judge the Temp Error at Normal/Highland	0 - 100	67	
20	Temp A Warning Eco Highland	Temp A (Room) to judge the Temp Error at Eco/Highland	0 - 100	48	
21	Temp B Warning Eco Highland	Temp B (Lamp) to judge the Temp Error at Eco/Highland	0 - 100	71	
22	Temp C Warning Eco Hilghand	Temp C (Panel) to judge the Temp Error at Eco/Highland	0 - 100	65	
260	Auto Calibration (Common)				* Auto calibration
0	Execute Calibration	Execute Calibration when the Value is changed. (For PC White 100%)	0 - 1	0	
1	Loop Count	Max Times of Calibration	1 - 30	8	
2	Auto Status	Calibration Log (Read only) 0: Calibration End Correctly 1: On Adjusting 9: Calibration Error	0 / 1 / 9	0	
3	AutoWait	Waiting time	1 - 20	3	
4	CHECK - Tolerance	Tolerance of Offset	1 - 255	4	
5	Time out wait	Wait Time until Time out [sec.]	1 - 255	20	
261	Auto Calibration (RGB)				PW392-AFE MDL <10bits>
0	OFFSET AREA H START	Black Level Acq. Area H Start	0 - 1000	975	
1	OFFSET AREA V START	Black Level Acq. Area V Start	0 - 1000	500	
2	GAIN AREA H START	White Level Acq. Area H Start	0 - 1000	25	
3	GAIN AREA V START	White Level Acq. Area V Start	0 - 1000	500	
4	Image AREA H WIDTH	Black/White Level Area Width	0 - 4095	13	
5	Image AREA V HEIGHT	Black/White Level Area Height	0 - 4095	9	
6	OFFSET Target	Black Level Adj target	0 - 1023	20	
7	OFFSET Tolerance	Black Level Adj tolerance	1 - 1023	1	
8	GAIN Target	White Level Adj target	0 - 1023	955	
9	GAIN Tolerance	White Level Adj tolerance	1 - 1023	1	
10	Image Level Tolerance	Acq. Image Level Adj Tolerance	1 - 255	8	
262	Auto Calibration (CVBS/SVIDEO)				PW392-AFE MDL <10bits>
0	Y Image Area Start X	Y Image Area H Start	0 - 1000	20	
1	Y Image Area Start Y	Y Image Area V Start	0 - 1000	200	
6	Image Area H WIDTH	Image Level Acq. Width	0 - 4095	8	
7	Image Area V HEIGHT	Image Level Acq. Height	0 - 4095	9	
8	Y Target Level	Y Level Adj target	0 - 1023	875	
11	Gain Tolerance	Level Adj Tolerance	1 - 255	1	
12	Image Level Tolerance	Acq. Image Level Adj Tolerance	1 - 255	2	
264	Auto Calibration (YCbCr)				PW392-AFE MDL <10bits>
0	Y-OFFSET AREA H START	Y - Offset Acq Area H Start	0 - 1000	925	
1	Y-OFFSET AREA V START	Y - Offset Acq Area V Start	0 - 1000	500	
2	CB - OFFSET AREA H START	CB - Offset Acq. Area H Start	0 - 1000	925	
3	CB - OFFSET AREA V START	CB - Offset Acq. Area V Start	0 - 1000	500	
4	CR - OFFSET AREA H START	CR - Offset Acq. Area H Start	0 - 1000	925	
5	CR - OFFSET AREA V START	CR - Offset Acq. Area V Start	0 - 1000	500	
6	Y - GAIN AREA H START		0 - 1000	50	
7	Y - GAIN AREA V START		0 - 1000	500	
8	CB - GAIN AREA H START		0 - 1000	800	
9	CB - GAIN AREA V START		0 - 1000	500	
10	CR - GAIN AREA H START		0 - 1000	700	
11	CR - GAIN AREA V START		0 - 1000	500	
12	Image AREA H WIDTH	YCBCR Level Acq. Width	0 - 4095	13	
13	Image AREA V HEIGHT	YCBCR Level Acq. Height	0 - 4095	9	
14	Y - OFFSET TARGET		0 - 1023	4	
15	CB OFFSET TARGET		0 - 1023	512	
16	CR OFFSET TARGET		0 - 1023	512	
17	Y - GAIN TARGET		0 - 1023	810	
18	CB - GAIN TARGET		0 - 1023	894	
19	CR - GAIN TARGET		0 - 1023	894	
20	OFFSET Tolerance	OFFSET Adj Tolerance	1 - 255	1	
21	GAIN Tolerance	GAIN Adj Tolerance	1 - 255	1	
22	Image Level Tolerance	Acq. Image Level Adj Tolerance	1 - 255	8	
280	AutoPC Adjsut				
0	AutoPCAdjustEnable	Auto PC Operation with the un-supported signal in. 0: Enable 1: Disable	0 - 1	0	
1	Frequency Step	TotalDot Search Step	0-3	1	
2	Frequency Threshold	TotalDot Match	0 - 10	5	
3	Fine Phase	Phase after Total Dot Adj. 0: Fine Phase Execute 1: Fine Phase Not Execute	0 - 1	1	

Electrical Adjustment

Grp / No.	Item	Function	Range	Initial	Note
4	BLKDET	Black Level Detect Area	0 - 7	1	
5	PHASEMSK	Phase Detect Filter 0: All Bits Enable, 1: Lower 1 bit Disable, 2: Lower 2 bit Disable, 3: Lower 3 bits Disable	0 - 3	0	
290	Panel Type				
0	Gamma L/R-View	Panel Type Check 0: L-Type, 20: R-Type	0 - 20	0	* Panel Type Change
1	Gamma L/R-Change	Panel Type Change Panel Type is changed from 10 to 0 (L-Type) or from 10 to 20 (R- type)	0 - 20	10	
300	Closed Caption				
2	Multi Window Caption	Close caption switch for PIP function 0: OFF, 1: ON	0-1	1	
500	Composite (NTSC)	Composite / S-Video			
1	Disp Dots		0 - 4095	674	
2	H Back Porch		0 - 4095	24	
3	V Back Porch		0 - 4095	18	
4	Disp Line		0 - 4095	454	
501	Composite (PAL)	Composite / S-Video			
1	Disp Dots		0 - 4095	662	
2	H Back Porch		0 - 4095	32	
3	V Back Porch		0 - 4095	18	
4	Disp Line		0 - 4095	542	
502	Composite (SECAM)	Composite / S-Video			
1	Disp Dots		0 - 4095	662	
2	H Back Porch		0 - 4095	32	
3	V Back Porch		0 - 4095	18	
4	Disp Line		0 - 4095	542	
510	SCART(480i)				
0	Total Dots		0 - 4095	858	
1	Disp Dots		0 - 4095	672	
2	H Back Porch		0 - 4095	142	
3	V Back Porch		0 - 4095	42	
4	Disp Line		0 - 4095	458	
5	Clamp		0 - 4095	59	
6	Clamp Width		0 - 4095	20	
511	SCART (575i)				
0	Total Dots		0 - 4095	864	
1	Disp Dots		0 - 4095	656	
2	H Back Porch		0 - 4095	148	
3	V Back Porch		0 - 4095	56	
4	Disp Line		0 - 4095	544	
5	Clamp		0 - 4095	68	
6	Clamp Width		0 - 4095	20	
520	YCbCr (480i)				
0	Total Dots		0 - 4095	858	
1	Disp Dots		0 - 4095	672	
2	H Back Porch		0 - 4095	145	
3	V Back Porch		0 - 4095	44	
4	Disp Line		0 - 4095	456	
5	Clamp		0 - 4095	92	
6	Clamp Width		0 - 4095	20	
22	(SUB)H Back Porch		0 - 4095	145	
23	(SUB)V Back Porch		0 - 4095	44	
25	(SUB)Clamp		0 - 4095	10	
26	(SUB)Clamp Width		0 - 4095	31	
521	YCbCr (575i)				
0	Total Dots		0 - 4095	864	
1	Disp Dots		0 - 4095	658	
2	H Back Porch		0 - 4095	162	
3	V Back Porch		0 - 4095	58	
4	Disp Line		0 - 4095	542	

Electrical Adjustment

Grp / No.	Item	Function	Range	Initial	Note
5	Clamp		0 - 4095	98	
6	Clamp Width		0 - 4095	20	
22	(SUB)H Back Porch		0 - 4095	162	
23	(SUB)V Back Porch		0 - 4095	58	
25	(SUB)Clamp		0 - 4095	10	
26	(SUB)Clamp Width		0 - 4095	31	
522	YCbCr (480P)				
0	Total Dots		0 - 4095	1716	
1	Disp Dots		0 - 4095	1368	
2	H Back Porch		0 - 4095	280	
3	V Back Porch		0 - 4095	46	
4	Disp Line		0 - 4095	458	
5	Clamp		0 - 4095	188	
6	Clamp Width		0 - 4095	20	
22	(SUB)H Back Porch		0 - 4095	280	
23	(SUB)V Back Porch		0 - 4095	46	
25	(SUB)Clamp		0 - 4095	10	
26	(SUB)Clamp Width		0 - 4095	31	
523	YCbCr (575P)				
0	Total Dots		0 - 4095	1728	
1	Disp Dots		0 - 4095	1360	
2	H Back Porch		0 - 4095	298	
3	V Back Porch		0 - 4095	58	
4	Disp Line		0 - 4095	544	
5	Clamp		0 - 4095	198	
6	Clamp Width		0 - 4095	20	
22	(SUB)H Back Porch		0 - 4095	298	
23	(SUB)V Back Porch		0 - 4095	58	
25	(SUB)Clamp		0 - 4095	10	
26	(SUB)Clamp Width		0 - 4095	31	
524	YCbCr (720P - 60)				
0	Total Dots		0 - 4095	1650	
1	Disp Dots		0 - 4095	1248	
2	H Back Porch		0 - 4095	316	
3	V Back Porch		0 - 4095	34	
4	Disp Line		0 - 4095	700	
5	Clamp		0 - 4095	187	
6	Clamp Width		0 - 4095	20	
22	(SUB)H Back Porch		0 - 4095	316	
23	(SUB)V Back Porch		0 - 4095	34	
25	(SUB)Clamp		0 - 4095	110	
26	(SUB)Clamp Width		0 - 4095	31	
525	YCbCr (720P - 50)				
0	Total Dots		0 - 4095	1980	
1	Disp Dots		0 - 4095	1248	
2	H Back Porch		0 - 4095	316	
3	V Back Porch		0 - 4095	34	
4	Disp Line		0 - 4095	700	
5	Clamp		0 - 4095	183	
6	Clamp Width		0 - 4095	20	
22	(SUB)H Back Porch		0 - 4095	316	
23	(SUB)V Back Porch		0 - 4095	34	
25	(SUB)Clamp		0 - 4095	110	
26	(SUB)Clamp Width		0 - 4095	31	
526	YCbCr (1080i - 60)				
0	Total Dots		0 - 4095	2200	
1	Disp Dots		0 - 4095	1874	
2	H Back Porch		0 - 4095	258	
3	V Back Porch		0 - 4095	50	
4	Disp Line		0 - 4095	1050	
5	Clamp		0 - 4095	168	
6	Clamp Width		0 - 4095	20	
22	(SUB)H Back Porch		0 - 4095	258	
23	(SUB)V Back Porch		0 - 4095	50	
25	(SUB)Clamp		0 - 4095	80	

Electrical Adjustment

Grp / No.	Item	Function	Range	Initial	Note
26	(SUB)Clamp Width		0 - 4095	31	
527	YCbCr (1080i - 50)				
0	Total Dots		0 - 4095	2640	
1	Disp Dots		0 - 4095	1872	
2	H Back Porch		0 - 4095	258	
3	V Back Porch		0 - 4095	50	
4	Disp Line		0 - 4095	1052	
5	Clamp		0 - 4095	168	
6	Clamp Width		0 - 4095	20	
22	(SUB)H Back Porch		0 - 4095	258	
23	(SUB)V Back Porch		0 - 4095	50	
25	(SUB)Clamp		0 - 4095	80	
26	(SUB)Clamp Width		0 - 4095	31	
528	YCbCr (1035i)				
0	Total Dots		0 - 4095	2200	
1	Disp Dots		0 - 4095	1874	
2	H Back Porch		0 - 4095	258	
3	V Back Porch		0 - 4095	90	
4	Disp Line		0 - 4095	1006	
5	Clamp		0 - 4095	168	
6	Clamp Width		0 - 4095	20	
22	(SUB)H Back Porch		0 - 4095	258	
23	(SUB)V Back Porch		0 - 4095	90	
25	(SUB)Clamp		0 - 4095	80	
26	(SUB)Clamp Width		0 - 4095	31	
529	YCbCr (1080P-60)				
0	Total Dots		0 - 4095	1100	
1	Disp Dots		0 - 4095	936	
2	H Back Porch		0 - 4095	127	
3	V Back Porch		0 - 4095	52	
4	Disp Line		0 - 4095	1052	
5	Clamp		0 - 4095	88	
6	Clamp Width		0 - 4095	16	
22	(SUB)H Back Porch		0 - 4095	104	
23	(SUB)V Back Porch		0 - 4095	52	
25	(SUB)Clamp		0 - 4095	18	
26	(SUB)Clamp Width		0 - 4095	31	
530	YCbCr (1080P-50)				
0	Total Dots		0 - 4095	1320	
1	Disp Dots		0 - 4095	934	
2	H Back Porch		0 - 4095	128	
3	V Back Porch		0 - 4095	52	
4	Disp Line		0 - 4095	1052	
5	Clamp		0 - 4095	88	
6	Clamp Width		0 - 4095	16	
22	(SUB)H Back Porch		0 - 4095	105	
23	(SUB)V Back Porch		0 - 4095	52	
25	(SUB)Clamp		0 - 4095	18	
26	(SUB)Clamp Width		0 - 4095	31	
531	YCbCr (1080P-30)				
0	Total Dots		0 - 4095	2200	
1	Disp Dots		0 - 4095	1868	
2	H Back Porch		0 - 4095	260	
3	V Back Porch		0 - 4095	46	
4	Disp Line		0 - 4095	1066	
5	Clamp		0 - 4095	162	
6	Clamp Width		0 - 4095	31	
22	(SUB)H Back Porch		0 - 4095	260	
23	(SUB)V Back Porch		0 - 4095	46	
25	(SUB)Clamp		0 - 4095	80	
26	(SUB)Clamp Width		0 - 4095	31	
532	YCbCr (1080P25)				
0	Total Dots		0 - 4095	2640	
1	Disp Dots		0 - 4095	1872	

Electrical Adjustment

Grp / No.	Item	Function	Range	Initial	Note
2	H Back Porch		0 - 4095	258	
3	V Back Porch		0 - 4095	48	
4	Disp Line		0 - 4095	1064	
5	Clamp		0 - 4095	140	
6	Clamp Width		0 - 4095	31	
22	(SUB)H Back Porch		0 - 4095	258	
23	(SUB)V Back Porch		0 - 4095	48	
25	(SUB)Clamp		0 - 4095	80	
26	(SUB)Clamp Width		0 - 4095	31	
533	YCbCr (1080P-24)				
0	Total Dots		0 - 4095	2750	
1	Disp Dots		0 - 4095	1874	
2	H Back Porch		0 - 4095	256	
3	V Back Porch		0 - 4095	52	
4	Disp Line		0 - 4095	1052	
5	Clamp		0 - 4095	140	
6	Clamp Width		0 - 4095	31	
22	(SUB)H Back Porch		0 - 4095	214	
23	(SUB)V Back Porch		0 - 4095	46	
25	(SUB)Clamp		0 - 4095	80	
26	(SUB)Clamp Width		0 - 4095	31	
536	YCbCr (1080PSF-24)				
0	Total Dots		0 - 4095	2750	
1	Disp Dots		0 - 4095	1878	
2	H Back Porch		0 - 4095	254	
3	V Back Porch		0 - 4095	50	
4	Disp Line		0 - 4095	1052	
5	Clamp		0 - 4095	178	
6	Clamp Width		0 - 4095	31	
22	(SUB)H Back Porch		0 - 4095	233	
23	(SUB)V Back Porch		0 - 4095	36	
25	(SUB)Clamp		0 - 4095	80	
26	(SUB)Clamp Width		0 - 4095	31	
540	RGB Video (480i)				
0	Total Dots		0 - 4095	1716	
1	Disp Dots		0 - 4095	1346	
2	H Back Porch		0 - 4095	286	
3	V Back Porch		0 - 4095	43	
4	Disp Line		0 - 4095	460	
5	Clamp		0 - 4095	80	
6	Clamp Width		0 - 4095	20	
22	(SUB)H Back Porch		0 - 4095	294	
23	(SUB)V Back Porch		0 - 4095	46	
25	(SUB)Clamp		0 - 4095	150	
26	(SUB)Clamp Width		0 - 4095	31	
541	RGB Video (575i)				
0	Total Dots		0 - 4095	1728	
1	Disp Dots		0 - 4095	1318	
2	H Back Porch		0 - 4095	320	
3	V Back Porch		0 - 4095	64	
4	Disp Line		0 - 4095	536	
5	Clamp		0 - 4095	80	
6	Clamp Width		0 - 4095	20	
22	(SUB)H Back Porch		0 - 4095	322	
23	(SUB)V Back Porch		0 - 4095	64	
25	(SUB)Clamp		0 - 4095	160	
26	(SUB)Clamp Width		0 - 4095	31	
542	RGB Video (480P)				
0	Total Dots		0 - 4095	1716	
1	Disp Dots		0 - 4095	1368	
2	H Back Porch		0 - 4095	270	
3	V Back Porch		0 - 4095	55	
4	Disp Line		0 - 4095	458	
5	Clamp		0 - 4095	70	
6	Clamp Width		0 - 4095	20	

Electrical Adjustment

Grp / No.	Item	Function	Range	Initial	Note
22	(SUB)H Back Porch		0 - 4095	274	
23	(SUB)V Back Porch		0 - 4095	46	
25	(SUB)Clamp		0 - 4095	170	
26	(SUB)Clamp Width		0 - 4095	31	
543	RGB Video (575P)				
0	Total Dots		0 - 4095	1728	
1	Disp Dots		0 - 4095	1360	
2	H Back Porch		0 - 4095	296	
3	V Back Porch		0 - 4095	68	
4	Disp Line		0 - 4095	540	
5	Clamp		0 - 4095	70	
6	Clamp Width		0 - 4095	20	
22	(SUB)H Back Porch		0 - 4095	300	
23	(SUB)V Back Porch		0 - 4095	60	
25	(SUB)Clamp		0 - 4095	170	
26	(SUB)Clamp Width		0 - 4095	31	
544	RGB Video (720P - 60)				
0	Total Dots		0 - 4095	1650	
1	Disp Dots		0 - 4095	1248	
2	H Back Porch		0 - 4095	264	
3	V Back Porch		0 - 4095	34	
4	Disp Line		0 - 4095	700	
5	Clamp		0 - 4095	110	
6	Clamp Width		0 - 4095	31	
22	(SUB)H Back Porch		0 - 4095	306	
23	(SUB)V Back Porch		0 - 4095	34	
25	(SUB)Clamp		0 - 4095	150	
26	(SUB)Clamp Width		0 - 4095	31	
545	RGB Video (720P - 50)				
0	Total Dots		0 - 4095	2022	
1	Disp Dots		0 - 4095	1248	
2	H Back Porch		0 - 4095	309	
3	V Back Porch		0 - 4095	34	
4	Disp Line		0 - 4095	700	
5	Clamp		0 - 4095	110	
6	Clamp Width		0 - 4095	31	
22	(SUB)H Back Porch		0 - 4095	306	
23	(SUB)V Back Porch		0 - 4095	34	
25	(SUB)Clamp		0 - 4095	150	
26	(SUB)Clamp Width		0 - 4095	31	
546	RGB Video (1080i - 60)				
0	Total Dots		0 - 4095	2200	
1	Disp Dots		0 - 4095	1872	
2	H Back Porch		0 - 4095	246	
3	V Back Porch		0 - 4095	54	
4	Disp Line		0 - 4095	1052	
5	Clamp		0 - 4095	80	
6	Clamp Width		0 - 4095	31	
22	(SUB)H Back Porch		0 - 4095	250	
23	(SUB)V Back Porch		0 - 4095	54	
25	(SUB)Clamp		0 - 4095	150	
26	(SUB)Clamp Width		0 - 4095	31	
547	RGB Video (1080i - 50)				
0	Total Dots		0 - 4095	2640	
1	Disp Dots		0 - 4095	1870	
2	H Back Porch		0 - 4095	247	
3	V Back Porch		0 - 4095	53	
4	Disp Line		0 - 4095	1052	
5	Clamp		0 - 4095	80	
6	Clamp Width		0 - 4095	31	
22	(SUB)H Back Porch		0 - 4095	247	
23	(SUB)V Back Porch		0 - 4095	53	
25	(SUB)Clamp		0 - 4095	150	
26	(SUB)Clamp Width		0 - 4095	31	

Electrical Adjustment

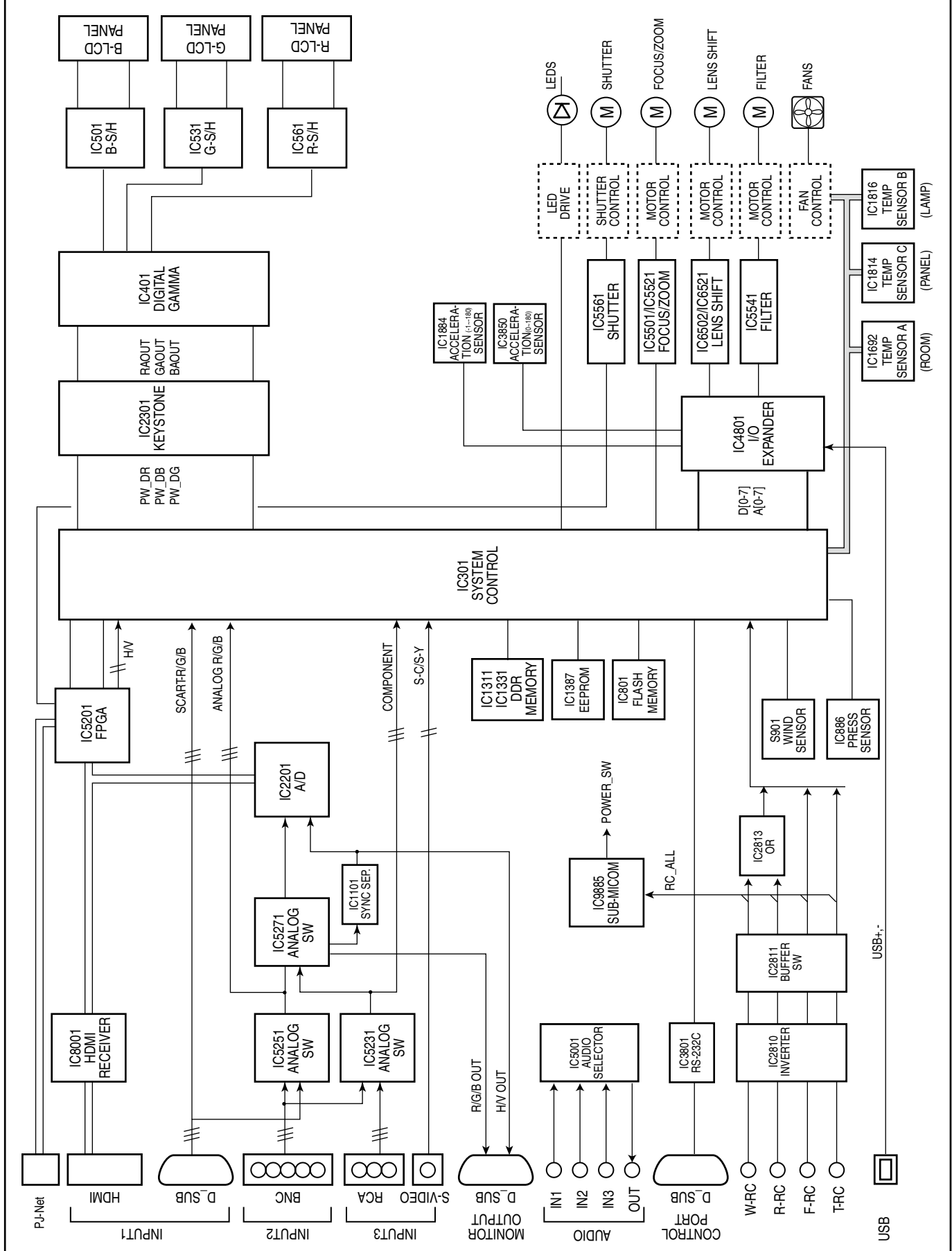
Grp / No.	Item	Function	Range	Initial	Note
548	RGB Video (1035i)				
0	Total Dots		0 - 4095	2200	
1	Disp Dots		0 - 4095	1872	
2	H Back Porch		0 - 4095	244	
3	V Back Porch		0 - 4095	58	
4	Disp Line		0 - 4095	1048	
5	Clamp		0 - 4095	80	
6	Clamp Width		0 - 4095	31	
22	(SUB)H Back Porch		0 - 4095	252	
23	(SUB)V Back Porch		0 - 4095	90	
25	(SUB)Clamp		0 - 4095	150	
26	(SUB)Clamp Width		0 - 4095	31	
549	RGB Video (1080P-60)				
0	Total Dots		0 - 4095	2200	
1	Disp Dots		0 - 4095	1874	
2	H Back Porch		0 - 4095	249	
3	V Back Porch		0 - 4095	58	
4	Disp Line		0 - 4095	1052	
5	Clamp		0 - 4095	80	
6	Clamp Width		0 - 4095	31	
22	(SUB)H Back Porch		0 - 4095	240	
23	(SUB)V Back Porch		0 - 4095	54	
25	(SUB)Clamp		0 - 4095	150	
26	(SUB)Clamp Width		0 - 4095	31	
550	RGB Video (11080P-50)				
0	Total Dots		0 - 4095	2640	
1	Disp Dots		0 - 4095	1874	
2	H Back Porch		0 - 4095	250	
3	V Back Porch		0 - 4095	58	
4	Disp Line		0 - 4095	1052	
5	Clamp		0 - 4095	80	
6	Clamp Width		0 - 4095	31	
22	(SUB)H Back Porch		0 - 4095	241	
23	(SUB)V Back Porch		0 - 4095	54	
25	(SUB)Clamp		0 - 4095	150	
26	(SUB)Clamp Width		0 - 4095	31	
551	RGB Video (1080P - 30)				
0	Total Dots		0 - 4095	2200	
1	Disp Dots		0 - 4095	1874	
2	H Back Porch		0 - 4095	275	
3	V Back Porch		0 - 4095	58	
4	Disp Line		0 - 4095	1051	
5	Clamp		0 - 4095	80	
6	Clamp Width		0 - 4095	31	
22	(SUB)H Back Porch		0 - 4095	250	
23	(SUB)V Back Porch		0 - 4095	55	
25	(SUB)Clamp		0 - 4095	150	
26	(SUB)Clamp Width		0 - 4095	31	
552	RGB Video (1080P - 25)				
0	Total Dots		0 - 4095	2640	
1	Disp Dots		0 - 4095	1874	
2	H Back Porch		0 - 4095	278	
3	V Back Porch		0 - 4095	58	
4	Disp Line		0 - 4095	1051	
5	Clamp		0 - 4095	80	
6	Clamp Width		0 - 4095	31	
22	(SUB)H Back Porch		0 - 4095	250	
23	(SUB)V Back Porch		0 - 4095	56	
25	(SUB)Clamp		0 - 4095	150	
26	(SUB)Clamp Width		0 - 4095	31	
553	RGB Video (1080P - 24)				
0	Total Dots	(Read only)	0 - 4095	2750	
1	Disp Dots		0 - 4095	1874	
2	H Back Porch		0 - 4095	276	
3	V Back Porch		0 - 4095	58	

Electrical Adjustment

Grp / No.	Item	Function	Range	Initial	Note
4	Disp Line		0 - 4095	1051	
5	Clamp		0 - 4095	80	
6	Clamp Width		0 - 4095	31	
22	(SUB)H Back Porch		0 - 4095	250	
23	(SUB)V Back Porch		0 - 4095	56	
25	(SUB)Clamp		0 - 4095	150	
26	(SUB)Clamp Width		0 - 4095	31	
555	RGB Video (1080PSF - 30)				
0	Total Dots	(Read only)	0 - 4095	2200	
1	Disp Dots		0 - 4095	1882	
2	H Back Porch		0 - 4095	265	
3	V Back Porch		0 - 4095	98	
4	Disp Line		0 - 4095	1013	
5	Clamp		0 - 4095	80	
6	Clamp Width		0 - 4095	31	
22	(SUB)H Back Porch		0 - 4095	249	
23	(SUB)V Back Porch		0 - 4095	90	
25	(SUB)Clamp		0 - 4095	150	
26	(SUB)Clamp Width		0 - 4095	31	
556	RGB Video (1080PSF - 25)				
0	Total Dots	(Read only)	0 - 4095	2640	
1	Disp Dots		0 - 4095	1874	
2	H Back Porch		0 - 4095	270	
3	V Back Porch		0 - 4095	99	
4	Disp Line		0 - 4095	1008	
5	Clamp		0 - 4095	80	
6	Clamp Width		0 - 4095	31	
22	(SUB)H Back Porch		0 - 4095	249	
23	(SUB)V Back Porch		0 - 4095	90	
25	(SUB)Clamp		0 - 4095	150	
26	(SUB)Clamp Width		0 - 4095	31	
557	RGB Video (1080PSF - 24)				
0	Total Dots	(Read only)	0 - 4095	2760	
1	Disp Dots		0 - 4095	1890	
2	H Back Porch		0 - 4095	167	
3	V Back Porch		0 - 4095	52	
4	Disp Line		0 - 4095	1060	
5	Clamp		0 - 255	64	
6	Clamp Width		0 - 255	31	
22	(SUB)H Back Porch		0 - 4095	233	
23	(SUB)V Back Porch		0 - 4095	36	
25	(SUB)Clamp		0 - 4095	150	
26	(SUB)Clamp Width		0 - 4095	31	

Troubleshooting

Chassis over view



No Power

The POWER and LAMP indicators do not light

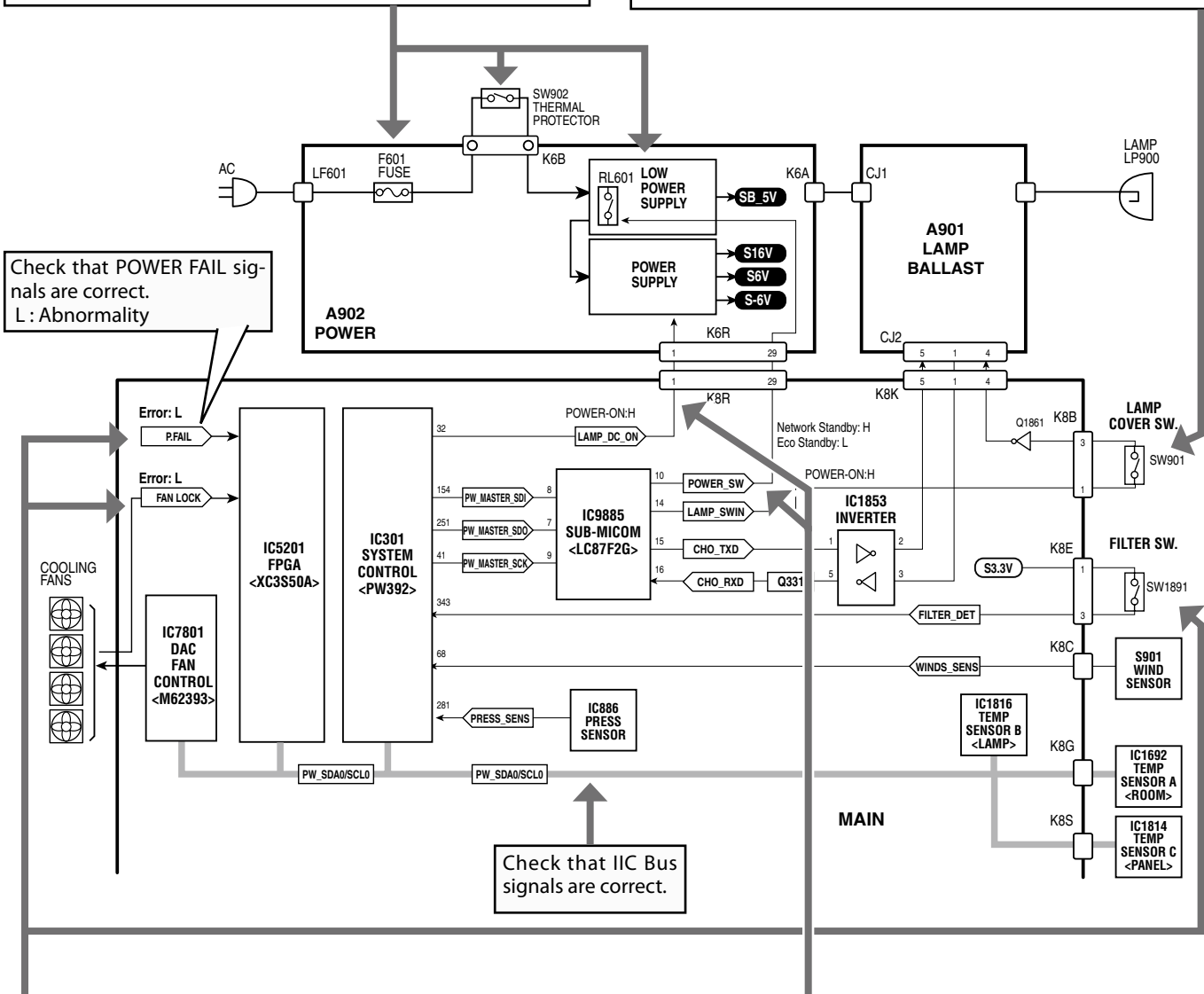
If the POWER and LAMP indicators are not lighting, check the Fuse (F601) and Thermal switch (SW902) in the primary circuit and SB_5V of standby power supply circuit.

- Fuse opens when the primary circuit has a error.
- Thermal switch opens when surrounding temperature of lamp reaches around 115°C.

The LAMP indicator lights and LAMP REPLACE indicator is flashing

If the LAMP_SWIN signal is not supplied to the Lamp Ballast, the projector cannot be turned on. Check the follows;

- Check the lamp cover and the lamp cover switch (SW901).
- SW901--open: Abnormality
- Check the signals LAMP_SWIN, CHO_TXD, CHO_RXD output from IC9885.



LAMP indicator lights and other indicators blink

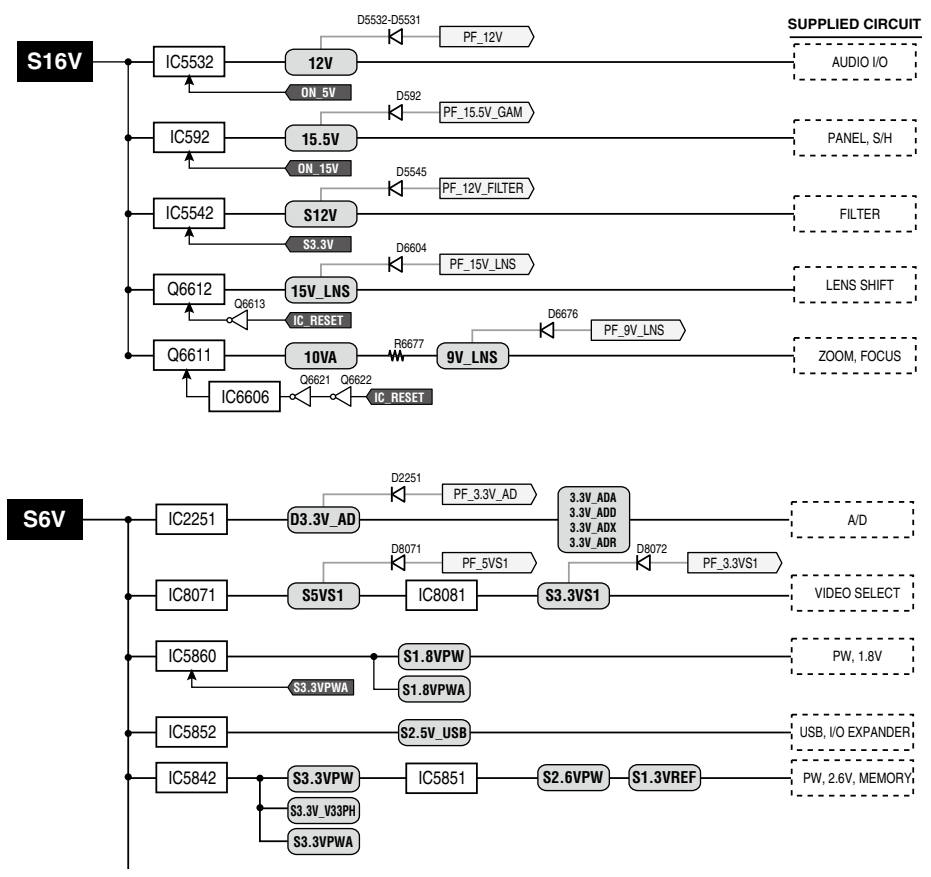
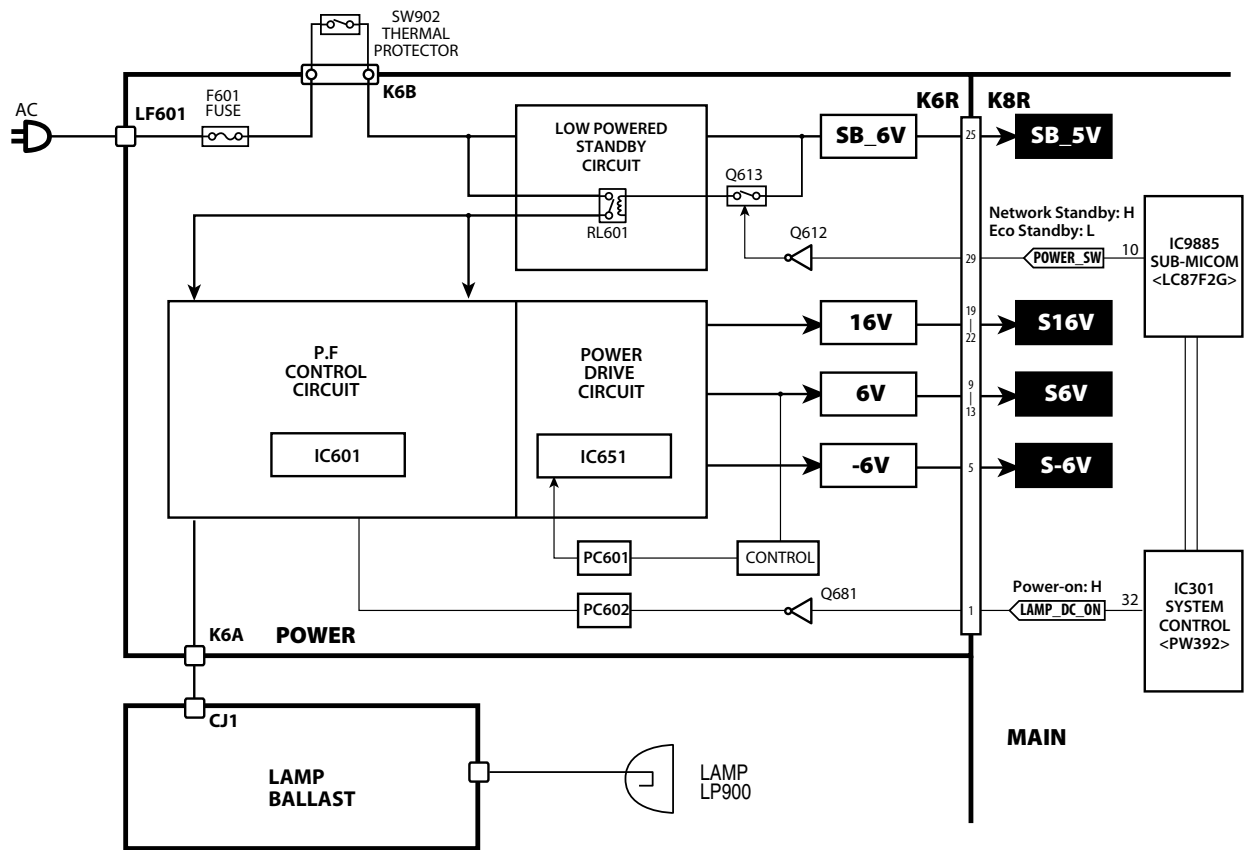
If the LAMP indicator is lighting and other indicators are blinking, the projector detects an abnormal inside the projector. Check following points;

- Check the secondary power supply. Error on the low power voltage
- Check the fan operation. Error on the fan.
- Check the filter cartridge detecting switch (SW1891).
- SW1891 open: Error
- Check the signal FILTER_DET supplied to IC301.
- FILTER_DET Low: Error

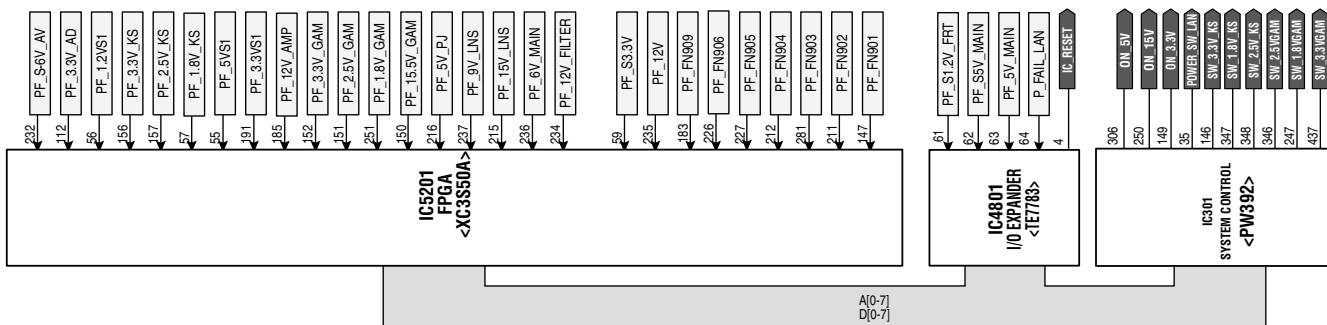
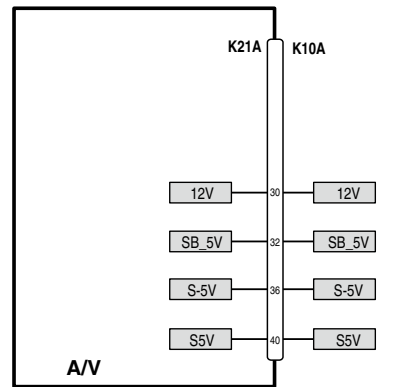
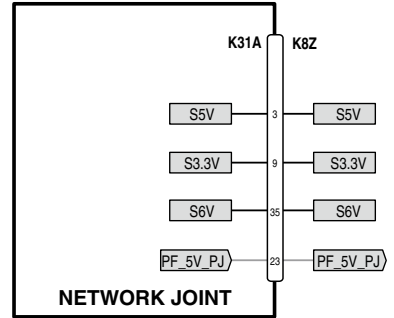
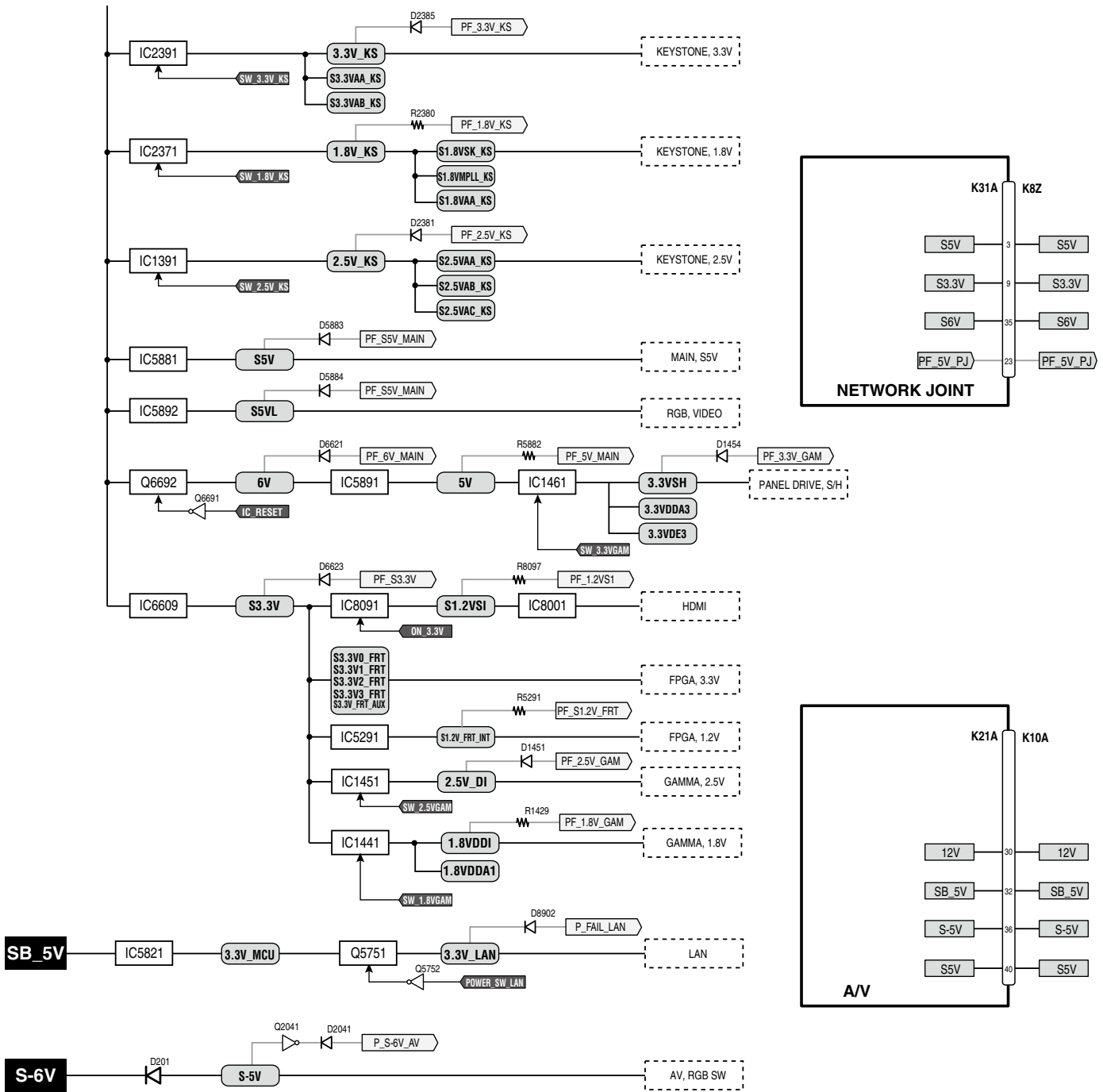
Check that the Power on/off signals are correct.

- POWER_SW H: Network Standby / L: Eco Standby
- LAMP_DC_ON H: Power-on

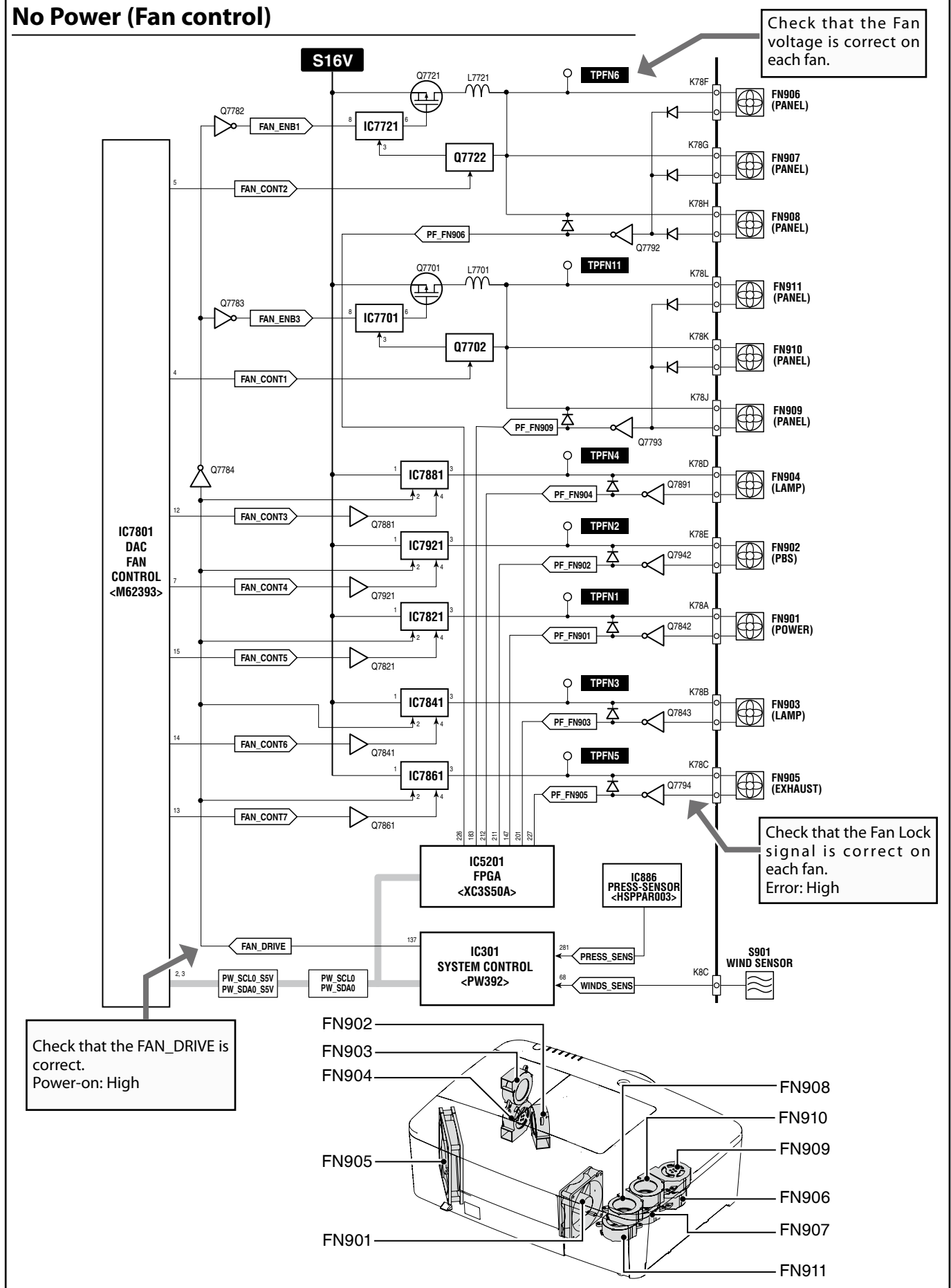
No Power (Power supply)



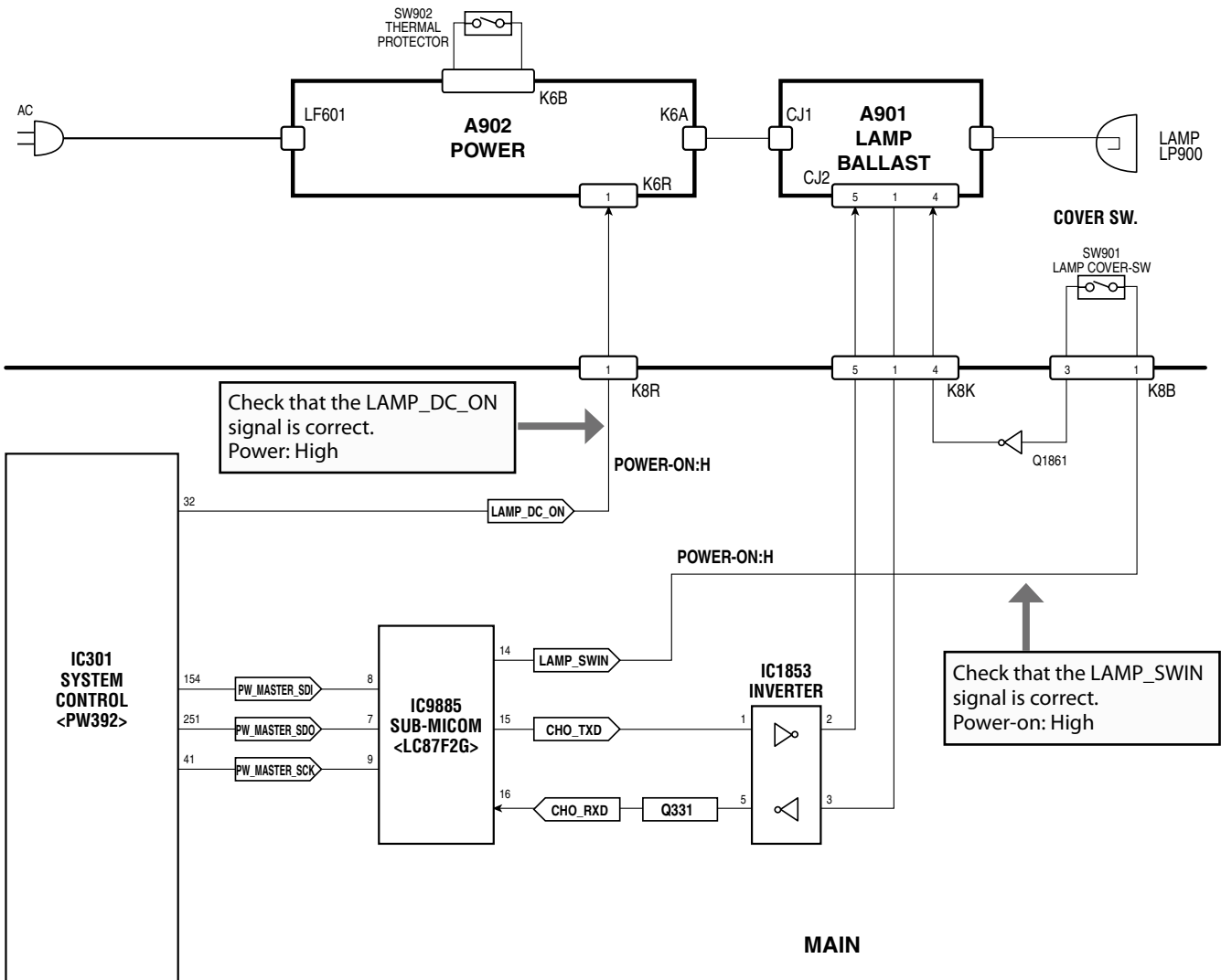
No Power (Power supply)



No Power (Fan control)



No Power (Lamp control)



Temperature Abnormality

Temperature monitor operation

The temperature monitor system is provided to prevent damage of optical components inside a projector from overheat. Two protection systems are provided. Each system operation as follows :

The temperature monitor -1:

● To control the air-flow of the cooling fans.

The CPU checks the temperature and atmospheric pressure inside a projector. It checks a temperature using temperature sensors IC1692, IC1814, IC1816 and it checks an atmospheric pressure using pressure sensor IC886. The CPU judges data from sensors and controls the air flow of the cooling fans so the temperature inside the projector is maintained to normal temperature.

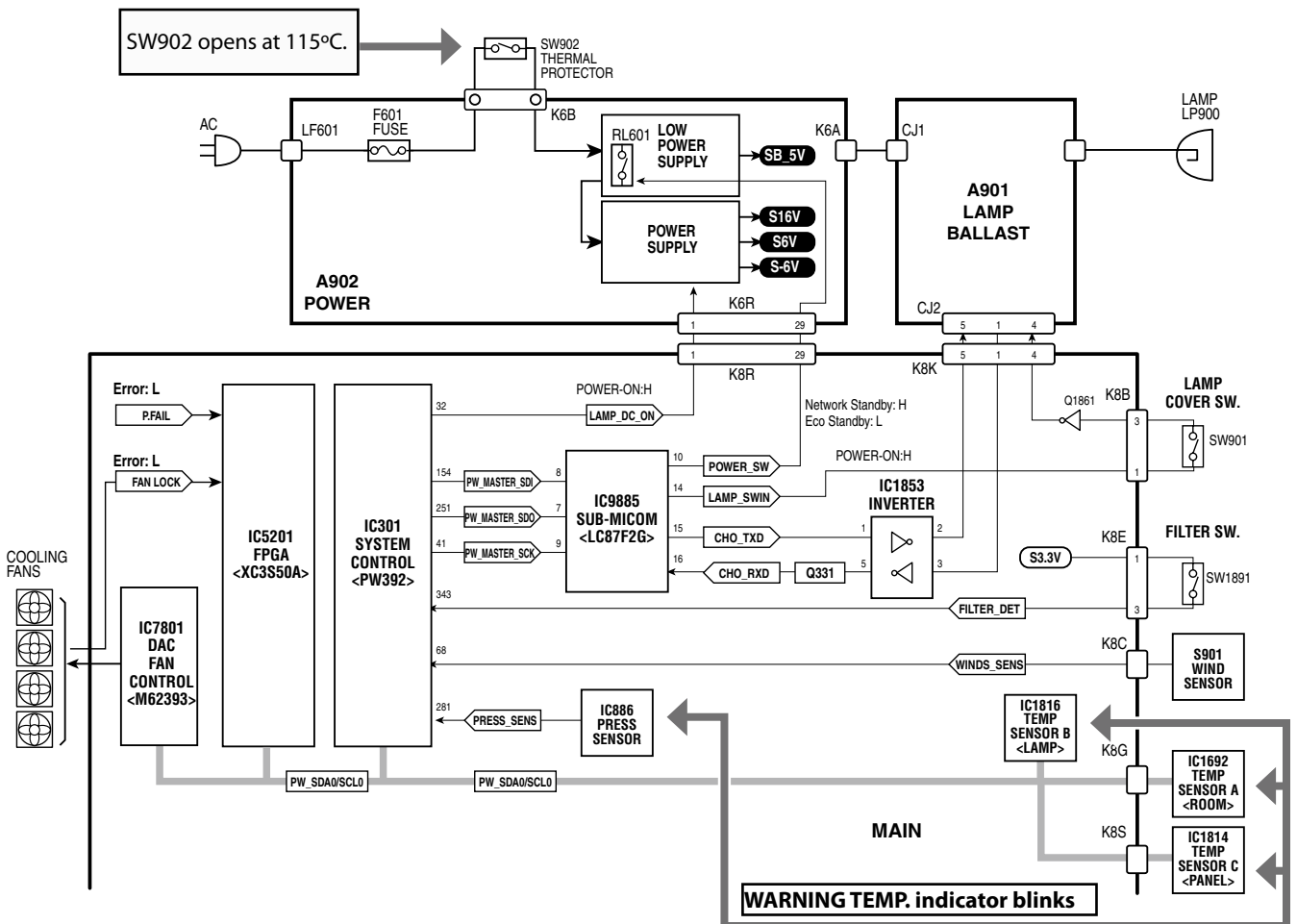
● To shut down the projector urgently.

The CPU checks surrounding temperature of LCD panel (IC1814), Lamp (IC1816) and intake air (IC1692). If each part temperature reaches abnormal temperature, the CPU will turn off the projector, and will blink WARNING TEMP. indicator. Cooling fans operate until temperature returns to normal. Indicator will stop blink, if temperature returns to normal.

The temperature monitor -2 :

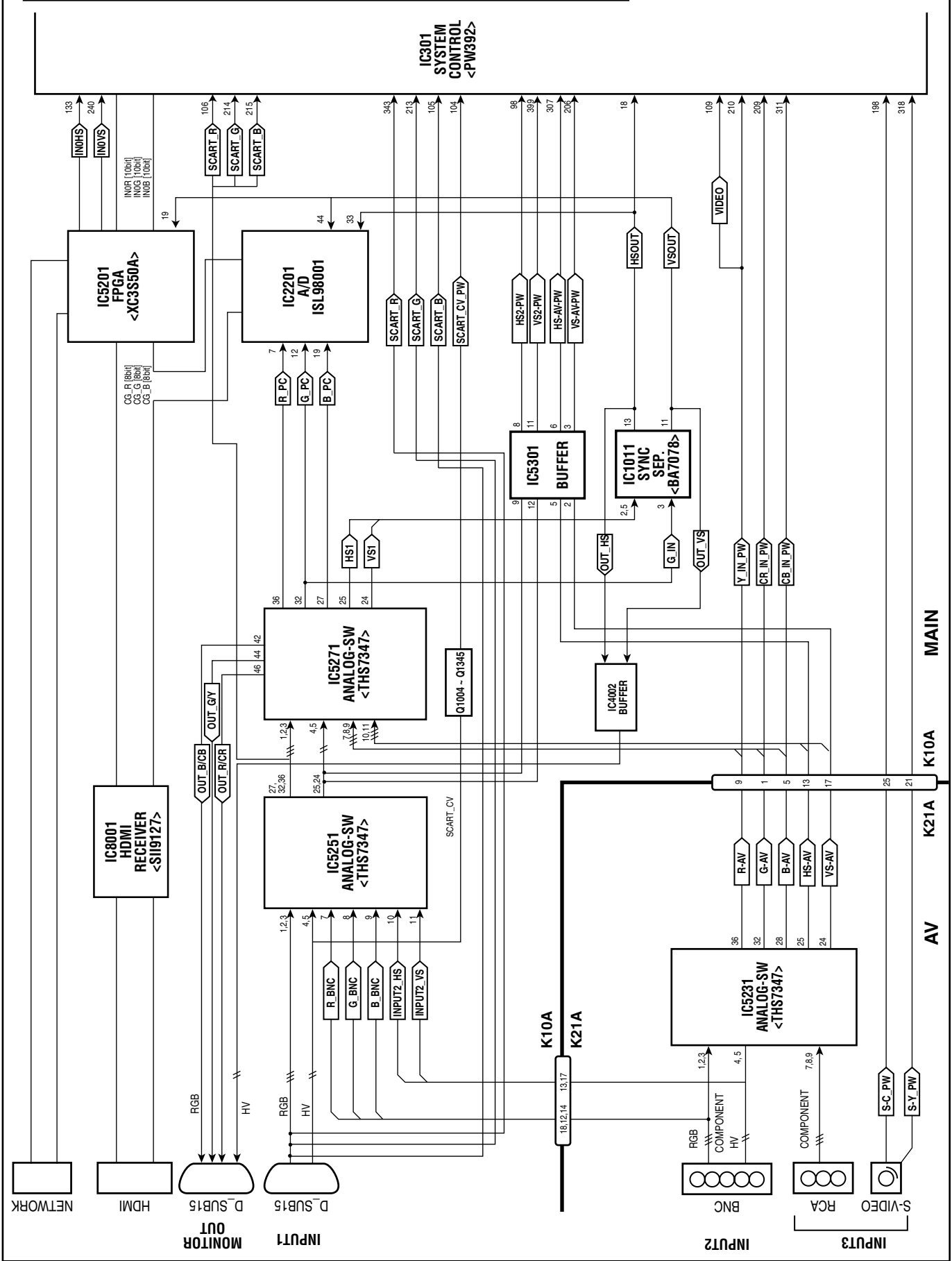
● Temperature check of lamp :

Thermal protector (SW902) is placed near the lamp. Thermal protector will operate, if the surrounding temperature reaches 115°C. When the thermal protector becomes open, it cuts off the AC line to shut down the projector immediately.

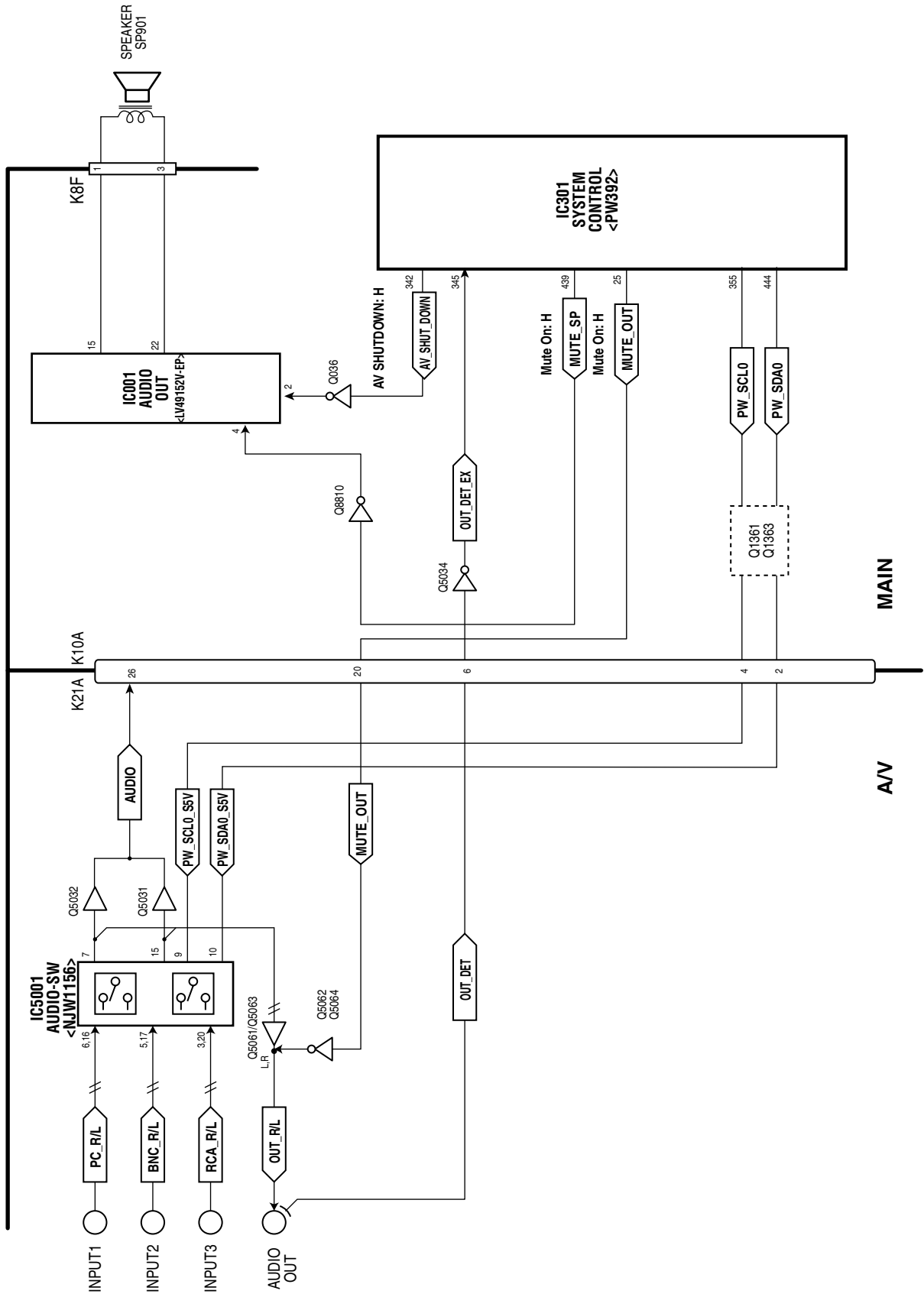


The sensor's operation is as follows:
 IC886 : Pressure sensor for FAN control
 IC1692 : Inside temperature monitor A (room)
 IC1816 : Inside temperature monitor B (lamp)
 IC1814 : Inside temperature monitor C (panel)

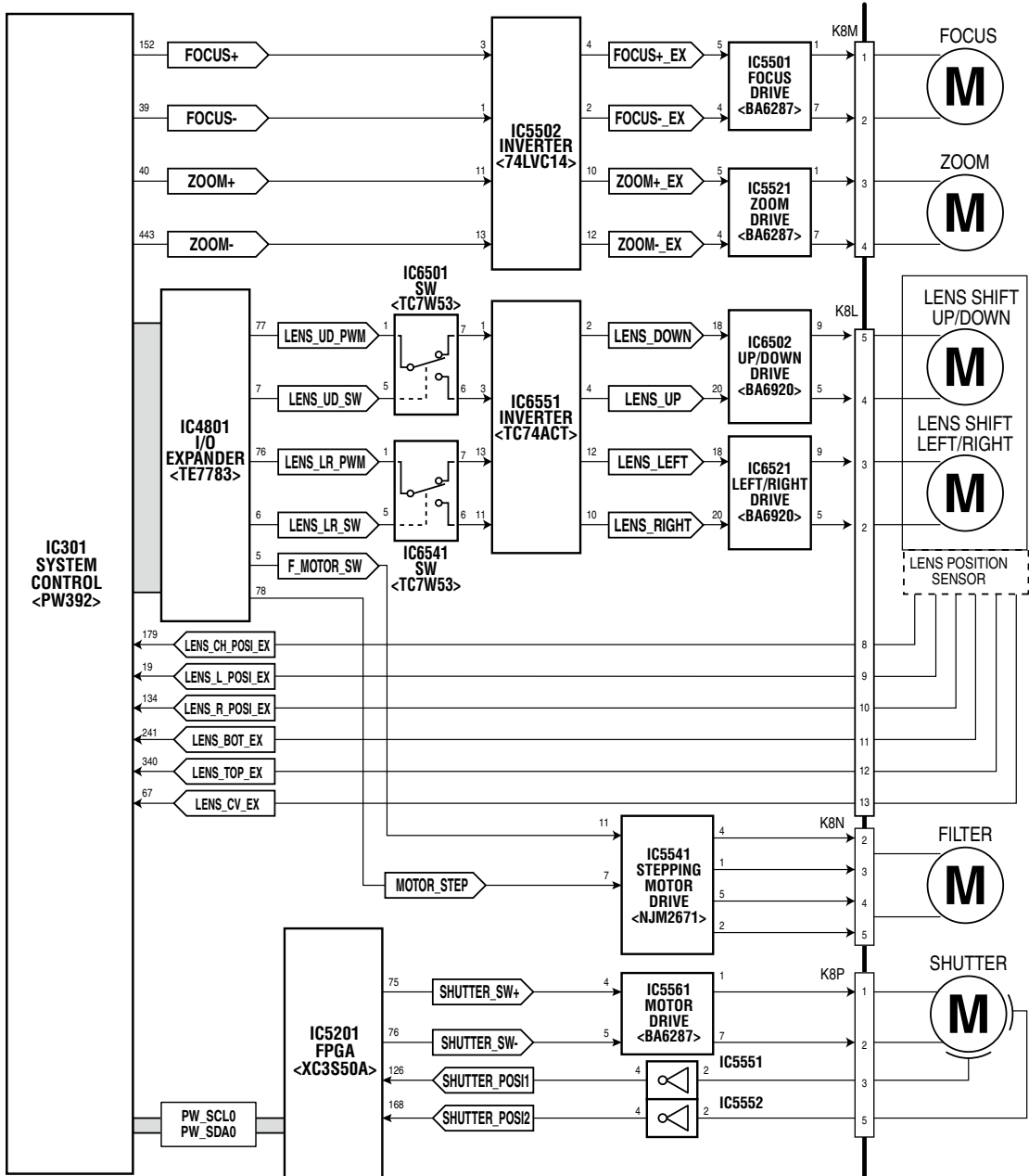
No Picture



No Sound



Motor control problems



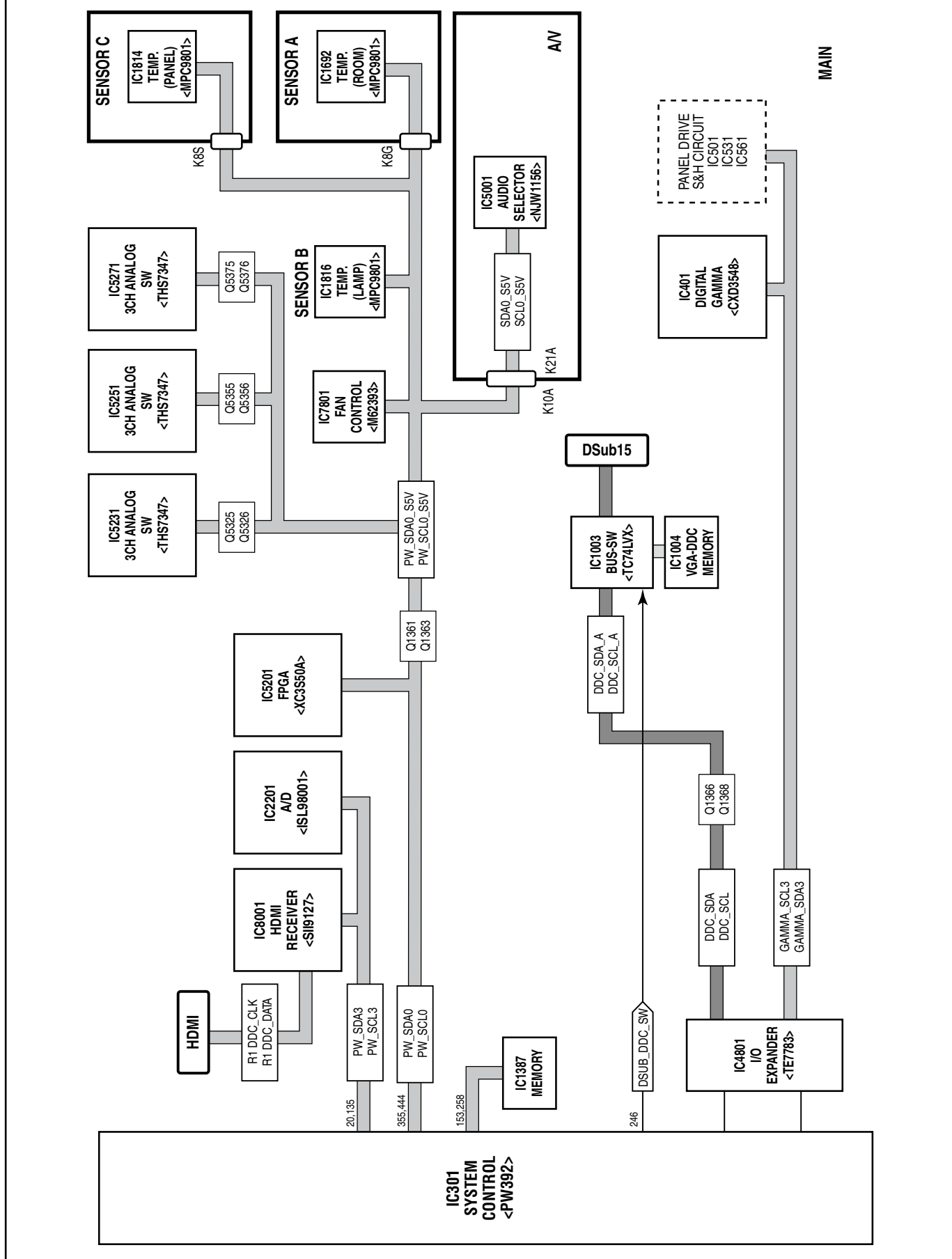
	STOP	UP	DOWN
LENS_UD_PWM	L	H	H
LENS_UD_SW	ANY	L	H

	STOP	+	-
FOCUS -	H	H	L
FOCUS +	H	L	H

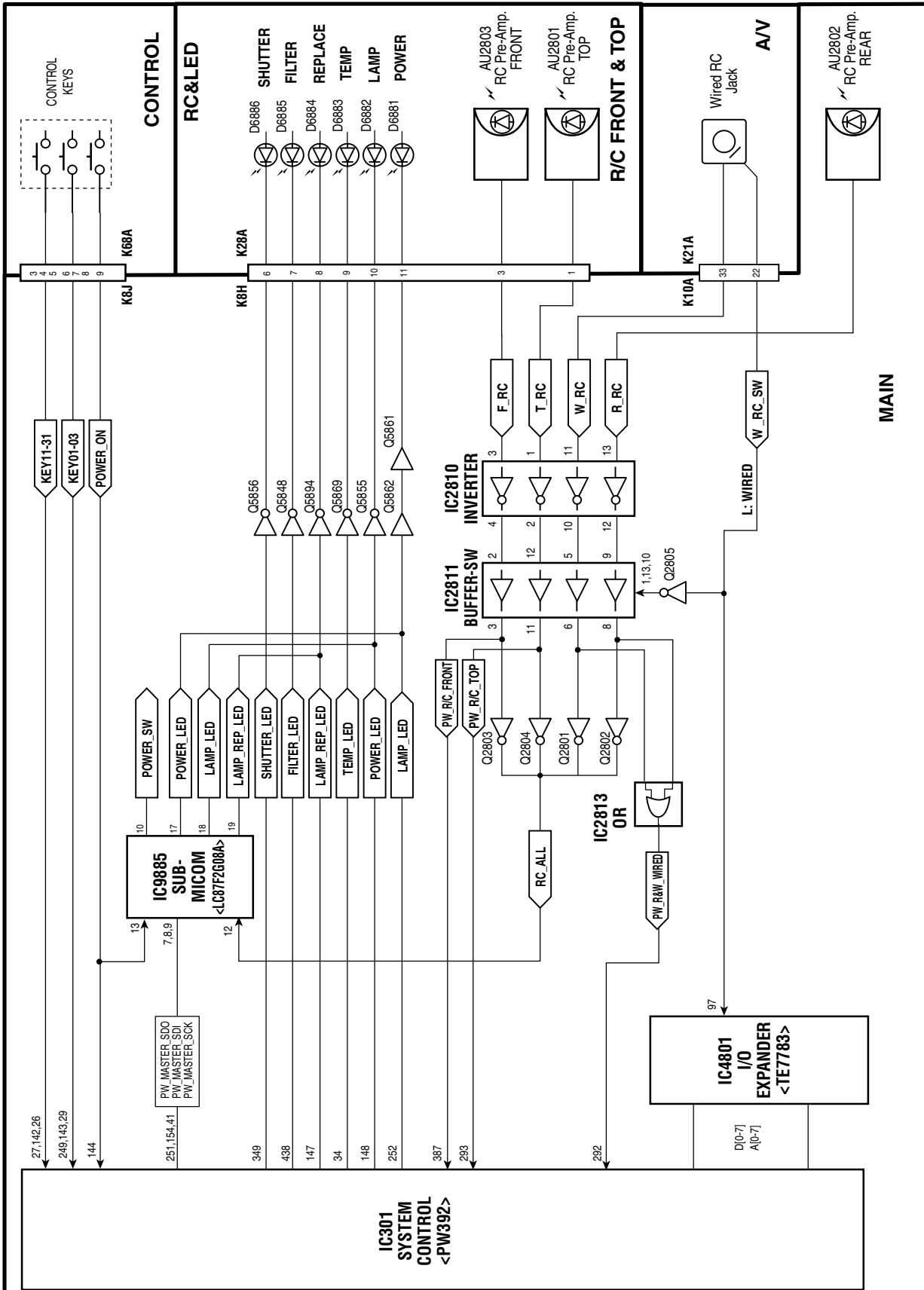
	STOP	RIGHT	LEFT
LENS_LR_PWM	L	H	H
LENS_LR_SW	ANY	L	H

	STOP	+	-
ZOOM -	H	H	L
ZOOM +	H	L	H

Bus control



LED drive & RC control



Indicators and Projector Condition

Check the indicators for the projector condition.

The projector is operating normally.


Indicators						Projector Condition
POWER green	LAMP red	WARNING TEMP. red	WARNING FILTER orange	SHUTTER blue	LAMP REPLACE orange	
●	●	●	●	●	●	The projector is off. (The AC power cord is unplugged.)
○	⊕	●	*	*	*	The projector is in stand-by mode. Press the ON/STAND-BY button to turn on the projector.
○	⊕	●	*	●	*	The projector is operating normally. (The shutter is open)
○	⊕	●	*	⊗	*	The projector is operating normally. (The shutter is closed)
●	⊕	●	*	*	*	The projector is preparing for stand-by or the projection lamp is being cooled down. The projector cannot be turned on until cooling is completed and the POWER indicator lights green.
●	⊕	●	*	*	*	The projection lamp is being cooled down in the Power management mode.
⊗	⊕	●	*	*	*	The projector is in the Power management mode.
●	⊕	●	*	⊗	*	The projection lamp is being cooled down in the Shutter management mode.
○	⊕	●	*	⊗	*	The projector is in the Shutter management mode. Press the ON/STAND-BY button to turn on the projector.
○	*	●	⊗	*	*	 <p>The filter is scrolled using the FILTER button on the remote control or the Filter control function in the setting menu. When the filter is being scrolled, the Filter replacement icon and Please wait... message (Fig. 1) appear on the screen for about 30 seconds.</p>

Fig.1 Filter replacement icon and **Please wait...**

- ●●● on
- ⊕ ●●● on (red)
- ⊗ ●●● on (blue)
- ●●● dim
- ⊕ ●●● dim (red)
- ⊗ ●●● blinking at the normal rate (approx. 1 second ON, 1 second OFF)
- ⊗ ●●● blinking at the normal rate (blue and dim red) (approx. 1 second ON, 1 second OFF)
- ●●● off
- * ●●● Differ according to conditions.
- ⊗ ●●● blinking fast (approx. 0.5 seconds ON, 0.5 seconds OFF)
- ⊗ ●●● blinking fast (blue and dim red) (approx. 0.5 seconds ON, 0.5 seconds OFF)
- ⊗ ●●● blinking slow (approx. 2 seconds ON, 2 seconds OFF)

The projector is detecting abnormal condition.

Indicators						Projector Condition
POWER green	LAMP red	WARNING TEMP. red	WARNING FILTER orange	SHUTTER blue	LAMP REPLACE orange	
			*	*	*	The temperature inside the projector is elevated close to the abnormally high level.
			*	*	*	The temperature inside the projector is abnormally high. The projector cannot be turned on. When the projector is cooled down enough and the temperature returns to normal, the POWER indicator lights green and the projector can be turned on. (The WARNING TEMP. indicator keeps blinking.) Check and replace the filter.
			*	*	*	The projector has been cooled down enough and the temperature returns to normal. When turning on the projector, the WARNING TEMP. indicator stops blinking. Check and replace the filter.
			*	*		The lamp cannot light up. (The projector is preparing for stand-by or the projection lamp is being cooled down. The projector cannot be turned on until cooling is completed.)
			*	*		The lamp cannot light up. (The lamp has been cooled down enough and the projector is in stand-by mode and ready to be turned on with the ON/STAND-BY button.)
*	*	*	*	*		The lamp has been used overtime. Replace the lamp immediately.














WARNING FILTER

When the filter detects clogging, reaches a time set in the timer setting or runs out of the filter scroll, the WARNING FILTER indicator lights orange. When this indicator lights orange, replace the filter or the filter cartridge with a new one promptly. Reset the Filter counter and Scroll counter after replacing the filter cartridge.

LAMP REPLACE

When the projection lamp reaches its end of life, the LAMP REPLACE indicator lights orange. When this indicator lights orange, replace the projection lamp with a new one promptly.

The projector is detecting abnormal condition.

Indicators						Projector Condition
POWER green	LAMP red	WARNING TEMP. red	WARNING FILTER orange	SHUTTER blue	LAMP REPLACE orange	
○	*	●	○	*	*	<p>If the Filter counter reached a time set in the timer setting, a Filter replacement icon (Fig.2) appears on the screen and the WARNING FILTER indicator on the top panel lights up. Replace the filter as soon as possible. If the filter is out of scroll and the projector reaches a time set in the timer setting, Fig. 3 appears on the screen and the WARNING FILTER indicator lights up. Replace the filter cartridge as soon as possible.</p> <p>If the filter is clogged and no scroll is left in the filter cartridge, a Filter cartridge replacement icon (Fig.4) appears on the screen and the WARNING FILTER indicator lights up. Replace the filter cartridge as soon as possible.</p> <p>✓Note: Fig.2, Fig.3 and Fig.4 icon will not appear when the Display function is set to Off or during "Freeze".</p>
 Fig.2 Filter replacement icon						
 Fig.3						
 Fig.4 Filter cartridge replacement icon						
				*		<p>The filter cartridge is not installed in the projector. Check the filter compartment to see if the filter cartridge is installed in the projector. When the filter cartridge is installed and the indicators continue to light and blink, read the column below.</p> <p>The projector detects an abnormal condition and cannot be turned on. Unplug the AC power cord and plug it again to turn on the projector. If the projector is turned off again, unplug the AC power cord. Do not leave the projector on. It may cause an electric shock or a fire hazard.</p>
*	*	*	*		*	The shutter is out of control.
●		●	*		*	The shutter is out of control. (The projector is in the cooling mode.)
○		●	*		*	The shutter is out of control. (The projector is in the stand-by mode.) In that case, contact the service station immediately.

Power failure detection system

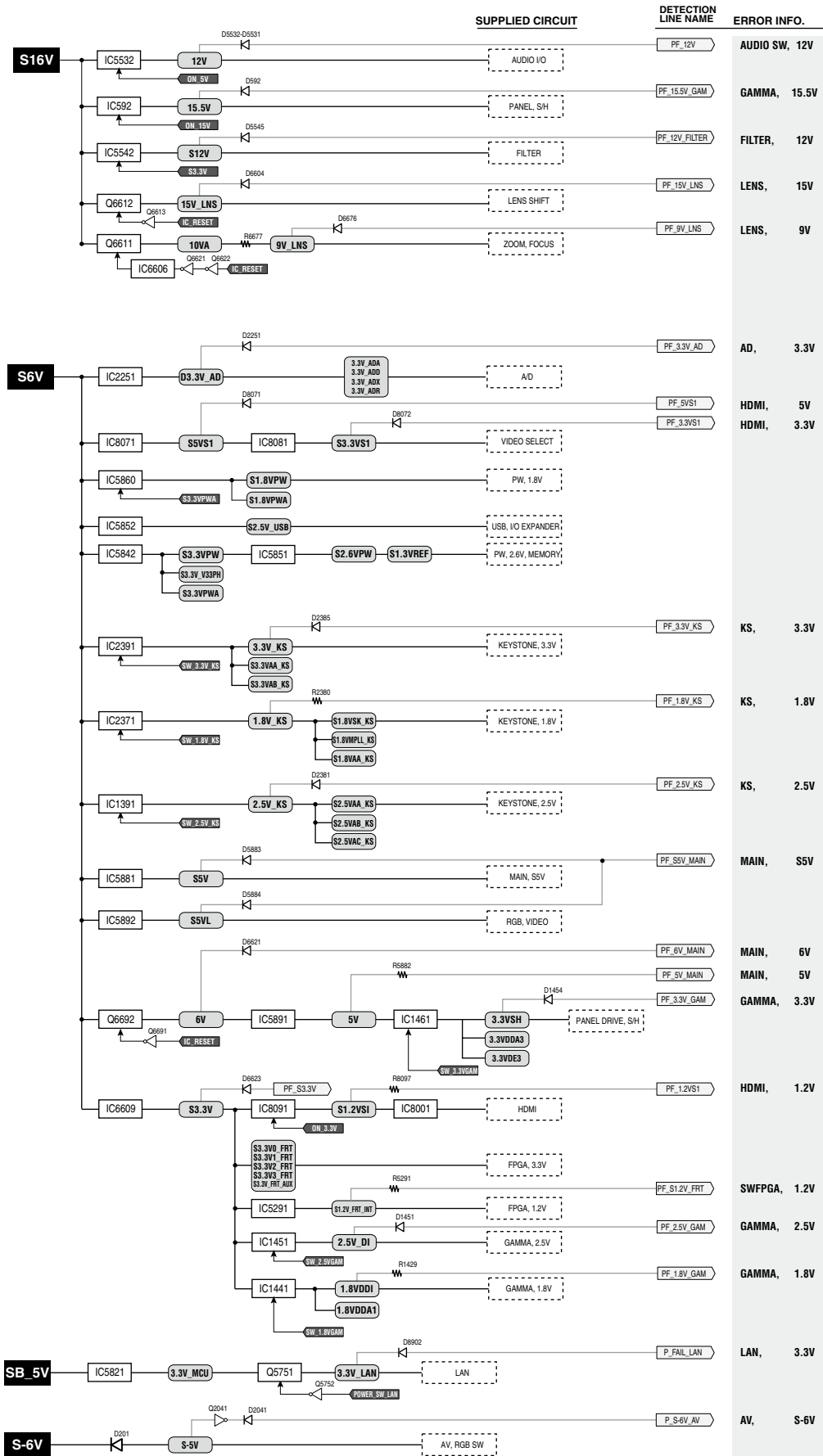
Detection of Power failure

Projector provides a protection circuit to prevent the secondary failure when the power failure, fans failure or temperature failure occurs on the projector. The power failure detection lines "PF_3.3V_AD", "PF_3.3V_KS", etc. are connected to the main power supplies. When the failure occurs, IC301<SYSTEM CONTROL> receives an error information through IC5201<FPGA>, IC4801 <I/O Expander> and then outputs the signal "LAMP_DC_ON" from pin 32. The signal "LAMP_DC_ON" is supplied to power supply circuit to control the power supply operation.

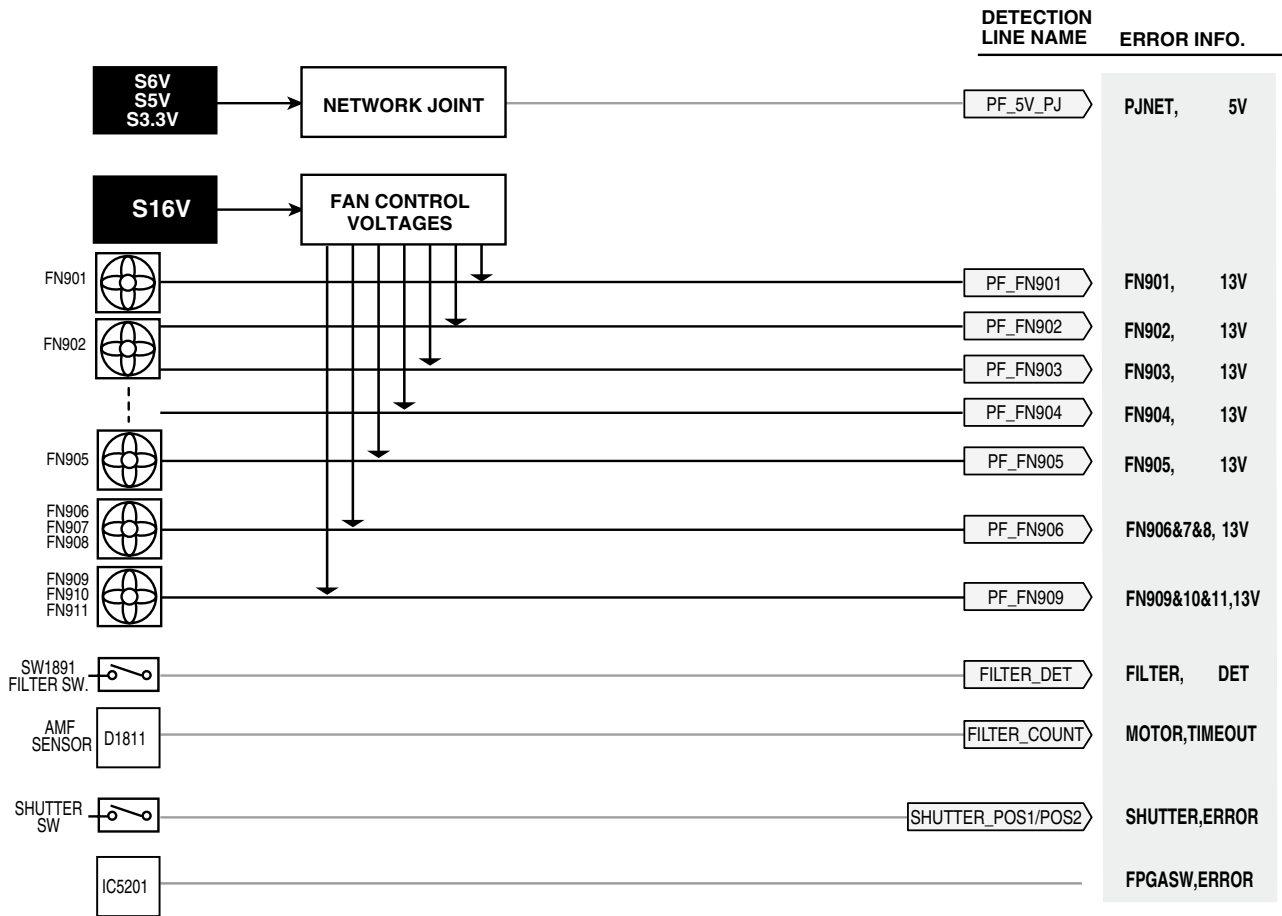
Error information table

IC	Pin	Signal Name	Connection Lines	Error Information	Failure Area
IC5201 XC3S50A	112	PF_3.3V_AD	D3.3V_AD	AD, 3.3V	3.3V AD on Main
	156	PF_3.3V_KS	3.3V_KS	KS, 3.3V	3.3V Keystone on Main
	157	PF_2.5V_KS	2.5V_KS	KS, 2.5V	2.5V Keystone on Main
	57	PF_1.8V_KS	1.8V_KS	KS, 1.8V	1.8V Keystone on Main
	152	PF_3.3V_GAM	3.3V_GAM	GAMMA, 3.3V	3.3V Gamma on Main
	151	PF_2.5V_GAM	2.5V_GAM	GAMMA, 2.5V	2.5V Gamma on Main
	251	PF_1.8V_GAM	1.8V_GAM	GAMMA, 1.8V	1.8V Gamma on Main
	55	PF_5VS1	S5VI	HDMI 5V	5V HDMI on Main
	191	PF_3.3VS1	S3.3VSI	HDMI 3.3V	3.3V HDMI on Main
	56	PF_1.2VS1	S1.2VSI	HDMI 1.2V	1.2V HDMI on Main
	59	PF_S3.3V	S3.3V	MAIN, S3.3V	S3.3V on Main
	150	PF_15.5V_GAM	15.5V_GAM	GAMMA, 15.5V	15.5V Gamma on Main
	216	PF_5V_PJ	PJNET&3.3V	PJNET, 5V	5V Network Box
	237	PF_9V_LNS	9V_LNS	LENS, 9V	9V Lens Drive
	215	PF_15V_LNS	15V_LNS	LENS, 15V	15V Lens Drive
	236	PF_6V_MAIN	6V	MAIN, 6V	6V on Main
	235	PF_12V	12V	AUDIO SW, 12V	12V Audio SW
	234	PF_12V_FILTER	12V_FILTER	FILTER, 12V	12V Filter Motor Drive
	232	PF_S-6V_AV	S-6V	AV, S-6V	S-6V on Main/AV
	212	PF_FN904	FN904 Power & Fan Lock	FN904 13V	FN904 Power & Fan Lock
211	PF_FN902	FN902 Power & Fan Lock	FN902 13V	FN902 Power & Fan Lock	
147	PF_FN901	FN901 Power & Fan Lock	FN901 13V	FN901 Power & Fan Lock	
227	PF_FN905	FN905 Power & Fan Lock	FN905 13V	FN905 Power & Fan Lock	
226	PF_FN906	FN906, FN907, FN908 Power & Fan Lock	FN906&7&8 13V	FN906, FN907, FN908 Power & Fan Lock	
281	PF_FN903	FN903 Power & Fan Lock	FN903 13V	FN903 Power & Fan Lock	
183	PF_FN909	FN909, FN910, FN911 Power & Fan Lock	FN909&10&11 13V	FN909, FN910, FN911 Power & Fan Lock	
IC4801 TE7783	61	PF_S1.2V_FRT	FPGA 1.2V	SWFPGA, 1.2V	1.2V SW FPGA
	62	PF_S5V_MAIN	S5V	MAIN, S5V	S5V on Main
	63	PF_5V_MAIN	5V	MAIN, 5V	5V Main
	64	P_FAIL_LAN	3.3V LAN	LAN, 3.3V	3.3V LAN
IC301 PW392	343	FILTER_DET	Filter Cartridge Detection	FILTER, DET	Filter Cartridge Detection
	388	FILTER_COUNT	Filter Motor	MOTOR, TIMEOUT	Filter Motor
IC5201	--	FPGASW CONGIG	FPGA Config	FPGASW, ERROR	SWFPGA Config Error
	126, 168	SHUTTER_POSI1 SHUTTER_POSI2	Shutter Operation	SHUTTER, ERROR	Shutter Operation Error

Power failure detection tree



Sensor & detection switches



Troubleshooting

Error Log

This projector provides the error history log function. To check the logs, you need to enter the service mode and select Group No. "220" and Item No. "0" to "49". The error code is displayed on the Data column. The description of the error code is listed on the table below.

* How to enter the service mode and select the group, item and data value, see "Service Adjustment Menu Operation".

Group No.	Item No.	Data (Error Code)
220	0	* <- Latest Error
	1	*
	2	*
	3	*
	:	:
	:	:
	49	*

Error	Error Code	Error Information (See Power Failure Detection System)	Error Code	Error Information (See Power Failure Detection System)
Normal	0	-		
Power Failure	1000	AD, 3.3V	1017	FILTER, 12V
	1001	KS, 3.3V	1018	AV, S-6V
	1002	KS, 2.5V	1019	FN904, 13V
	1003	KS, 1.8V	1020	FN902, 13V
	1004	GAMMA, 3.3V	1021	FN901, 13V
	1005	GAMMA, 2.5V	1022	FN905, 13V
	1006	GAMMA, 1.8V	1023	FN906&7&8, 13V
	1007	HDMI, 5V	1024	FN903, 13V
	1008	HDMI, 3.3V	1025	FN909&10&11, 13V
	1009	HDMI, 1.2V	1026	SWFPGA, 1.2V
	1010	MAIN, S3.3V	1027	MAIN, S5V
	1011	GAMMA, 15.5V	1028	MAIN, 5V
	1012	PJNET, 5V	1029	LAN, 3.3V
	1013	LENS, 9V	1030	FILTER, DET
	1014	LENS, 15V	1031	MOTOR, TIMEOUT
	Temperature Error	2000	Sensor A detects abnormal temperature. (IC1692-ROOM)	
2001		Sensor A fails measurement. (IC1692)		
2100		Sensor B detects abnormal temperature. (IC1816-LAMP)		
2101		Sensor B fails measurement. (IC1816)		
2102		Sensors B-A temperature error.		
2200		Sensor C detects abnormal temperature. (IC1814-PANEL)		
2201		Sensor C fails measurement. (IC1814)		
2202		Sensors C-A temperature error.		
Lamp Error	3000	Lamp1 fails on		
	3001	Lamp1 goes out		
	3002	Communication Error on Lamp1		
System Error	4000	FPGASW, CONFIG		
Shutter Error	5000	SHUTTER, ERROR		
Filter Error	6000	Filter clogged		

How to reset the Error Log

1. Enter the Service Mode, and select Group No. "220" and Item No. "50".
2. The history log will be reset when the Data Value is set to "10". The value automatically returns to "0".

* How to enter the service mode and select the group, item and data value, see "Service Adjustment Menu Operation".

Diagnosis of Power Failure with RS-232C port

This projector provides a function to get the error information of the projector by using the RS-232C serial port for the power failure diagnosis.

The further error information of the power failure and fan failure can be found out by using this function.

Diagnosis procedure

- 1 Connect a RS-232C serial cross cable to CONTROL PORT on the projector and serial port on the PC.
- 2 Launch a communication software "Hyper terminal" provided with PC and setup the communication condition as follows;

Baud rate	: 9600 / 19200 bps
Parity check	: none
Stop bit	: 1
Flow control	: none
Data bit	: 8

- 3 Turn on the projector. Check that the LED shows a power failure. (All the LEDs except LAMP LED are blinking)

- 4 Type a diagnosis command of the power failure "CR ALLPFAIL" and press a "ENTER" key within 1 second on the command window of the software.

The error information will be listed on the window as the right.

Check the status column. If "NG" is listed, the power failure occurs on its signal line (Power Line Name). In case of the right table, this error information means that the power failure occurs on the 3.3V power supply on the GAMMA (Digital Gamma) circuit on the main board (GAMMA, 3.3V). Check if the parts connected to 3.3V power supply line on the Gamma circuit are defective.

CR ALLPFAIL			Error Information (Signal Name)
000 AD,	3.3V	OK	Status
000 KS,	3.3V	OK	
000 KS,	2.5V	OK	
000 KS,	1.8V	OK	
000 GAMMA,	3.3V	NG	Error
000 GAMMA,	2.5V	OK	
000 GAMMA,	1.8V	OK	
.....	

Also the error information may be listed multiple as the below;

In the above case, 2 kinds of causes are considered. One is the power failure occurs on the multiple places at the same time, other is a power failure affects multiple power supply lines even if the failure occurs on the single place.

In the first case, Check if the parts connected to the multiple power supply lines are defective. In the later case, determine a failure point referring to the power supply flow chart on previous page. Basically, if the power failure occurs on the upper side of power supply, the power failure is also detected on lower side of power supply frequently.

If the failure occurs on the lower side of power supply, it is lightly affected to the upper side of the power supply. In the above case, because the failure occurs on the 6V power supply on the main board (MAIN, 6V), the failure is also detected on the 5V power supply on the main board (MAIN, 5V).

CR ALLPFAIL			Error
000 AD,	3.3V	OK	
000 KS,	3.3V	OK	
.....	
000 MAIN,	6V	NG	Error
000 GAMMA,	15.5V	OK	
.....	
000 MAIN,	5V	NG	Error

* See "Power Failure Detection System" for further description of the Error Information.

Serial Control Interface

This projector provides a function to control and monitor the projector's operations by using the RS-232C serial port.

Operation

- 1 Connect a RS-232C serial cross cable to CONTROL PORT on the projector and serial port on the PC.
- 2 Launch a communication software "Hyper terminal" provided with PC and setup the communication condition as follows;

Note: The default of the baud rate is set to 19200 bps. If an error occurs in the communication, change the serial port and the communication speed (baud rate).

Baud rate	: 9600 / 19200 bps
Parity check	: none
Stop bit	: 1
Flow control	: none
Data bit	: 8

- 3 Type the command for controlling the projector and then enter the "Enter" key.

Example

When you want to change the input to INPUT 2, Type 'C' '0' '6' 'Enter'.

Note: Enter with ASCII 64-byte capital characters and one-byte characters.

Functional Execution Command

Format

The command is sent from PC to the projector with the format below;

'C' [Command] 'CR'

Command: two characters (refer to the command table below).

-The projector decodes the command and returns the 'ACK' with the format below;
'ACK' 'CR'

-When the projector can not decode the command, it returns with format below.
'?' 'CR'

Command	Function	Command	Function
C00	Turn the projector ON	C30	D.Zoom+
C01	Turn the projector OFF (immediately OFF)	C31	D.Zoom-
C02	Turn the projector OFF	C33	Select Input 3 Video
C05	Select Input 1	C34	Select Input 3 S-video
C06	Select Input 2	C35	Select Input 3 Y, Pb/Cb, Pr/Cr
C07	Select Input 3	C3A	Pointer RIGHT
C08	Select Network	C3B	Pointer LEFT
C09	Volume +	C3C	Pointer UP
C0A	Volume -	C3D	Pointer DOWN
C0B	Sound mute ON	C3F	Enter
C0C	Sound mute OFF	C43	Freeze ON
C0D	Video mute ON	C44	Freeze OFF
C0E	Video mute OFF	C46	Zoom DOWN
C0F	Screen Normal Size	C47	Zoom UP
C10	Screen Full Size	C4A	Focus DOWN
C1C	Menu ON	C4B	Focus UP
C1D	Menu OFF	C4F	Select Input 1 HDMI
C1E	Display Clear	C50	Select Input 1 Analog RGB
C20	Brightness UP	C51	Select Input 1 SCART
C21	Brightness DOWN	C5D	Lens shift UP
C23	Select Input 2 Video	C5E	Lens shift DOWN
C24	Select Input 2 Y, Pb/Cb,Pr/Cr	C5F	Lens shift LEFT
C25	Select Input 2 RGB	C60	Lens shift RIGHT
C27	Image	C89	Auto PC Adj.
C28	ON Start ON	C8A	Presentation Timer
C29	ON Start OFF	C8B	Presentation Timer(Exit)
C2A	Power Management Ready	C8E	Keystone UP
C2B	Power Management OFF	C8F	Keystone DOWN
C2E	Power Management Shut Down	C90	Keystone RIGHT
		C91	Keystone LEFT

Status Read Command

Format

The command is sent from PC to the projector with the format below;

'CR' [Command] 'CR'

Command: one character (refer to the command table below.

The projector decodes the command and returns the 'Character string' with the format below;

Command	Function	Projector Return	Projector status
CR0	Status Read	00	Power On
		80	Stand-by mode
		40	Countdown
		20	Cooling down
		10	Power Malfunction
		28	Cooling down at the temperature anomaly
		24	Cooling down at Power Management mode
		04	Power Management mode after Cooling down
		21	Cooling down after the projector is turned off when the lamps are out.
		81	Stand-by mode after Cooling down when the lamps are out.
		88	Stand-by mode after Cooling down at the temperature anomaly.
		2C	Cooling down when the projector is turned off by the shutter management function.
		8C	Stand-by mode after cooling down by the shutter management function.
CR6	Temperature Read	S1 S2 S3	S1 = Temperature at Sensor 1(Temp A) (°C) S2 = Temperature at Sensor 2 (Temp B)(°C) S3 = Temperature at Sensor 3 (Temp C)(°C) (ex.) S1 = 12.3°C, S2 = 23.4°C, S3 = 34.5°C --> The projector displays "12.3 23.4 34.5" (For each sensor, two digit and the tenth place numbers are displayed with a space between each temperature.)
		?	Communication failure

The tables show the typical command lists for controlling the projector. Please consult your local dealer for further information of other commands.

This Serial port is not available in the Eco standby mode. To use this function in the standby mode, the Network standby mode should be selected.

Control Port Functions

System Control I/O Port Functions (PW392, IC301)

PIN	PORT	SIGNAL	FUNCTION	I/O	NOTE
A18		HSOUT	Horiz. Sync Signal Input	I	
A19		LENS_L_POSI_EX	Lens Shift Position L Detection Input	I	
A20		PW_SDA3	IIC Bus SDA3	I/O	
A27		KEY11	Key Control Input 11	I	
A28		KEY31	Key Control Input 31	I	
A29		KEY03	Key Control Input 03	I	
B18		IN0HS	Horiz. Sync Signal Input	I	
B19		LENS_R_POSI_EX	Lens Shift Position R Detection Input	I	
B20		PW_SCL3	IIC Bus SCL3	O	
B22		FAN_DRIVE	Fan Drive Signal Output	O	H: On
B23		TRM2	Terminal Switch 2 Output	O	H: On
B25		KS_CRSTN	PW610 Reset Signal Output	O	H: Reset
B27		KEY21	Key Control Input 21	I	
B28		KEY02	Key Control Input 02	I	
B29		POWER_ON	Key Control Input Power On	I	L: Power On
C18		IN0VS	Vert. Sync Signal Input	I	
C19		LENS_BOT_EX	Lens Shift Position Input Bottom	I	
C23		TRM1	Terminal Switch 1 Output	O	H: On
C24		DSUB_DDC_SW	DDC Switch Control (DSUB)	O	H: Normal
C25		SW_1.8VGAM	SW_1.8VGAM Switch Output	O	H: On
C26		RST_S&H_SH	S/H Reset Output	O	H: On
C27		KEY01	Key Control Input 01	I	
C28		ON_15V	ON_15V Drive Signal	O	H: On
C30		LAMP_DC_ON	LAMP_DC_ON Drive Output	O	H: On
D19		LENS_TOP_EX	Lens Shift Position Input Top	I	
D21		AV_SHUT_DOWN	Sound Mute Output	O	H: Mute
D22		FILTER_DET	Filter Detect Input	I	L: Detected
D24		OUT_DET_EXT	Audio Output Jack Detection	I	
D25		SW_2.5VGAM	SW_2.5VGAM Drive Signal Output	O	H: On
D26		SW_1.8V_KS	SW_1.8V Drive Signal Output(KS)	O	H: On
D27		SW_2.5V_KS	SW_2.5V Drive Signal Output(KS)	O	H: On
D28		PW_MASTER_SD0		O	
D29		SW_3.3V_KS	SW_3.3V Drive Signal Output(KS)	O	H: On
E25		SW_3.3VGAM	SW_3.3VGAM Drive Signal Output	O	H: On
E26		FILTER_LED	Filter LED Drive Output	O	H: On
E27		SHUTTER_LED	Shutter LED Drive Output	O	H: On
E28		LAMP_LED	LAMP LED Drive Output	O	H: On
E29		TEMP_LED	WARNING LED Drive Output	O	H: On
E30		LAMP_REP_LED	LAMP REPLACE LED Drive Output	O	H: On
F26		MUTE_SP	Sound Mute Drive output	O	H: Mute-On
F27		XRST	Reset for TE7783	O	L: Reset
F28		XSTDBYEN	TE7783 Standby Mode Disable/Enable	O	H: Standby Disable
F29		POWER_LED	Power LED Drive Output	O	H: On
F30		POWER_SW_LAN	Power Switch for LAN	O	H: On
G26		KS_THRWEN	3 Wire Select KS	O	L: Enable
G27		PW_SDATA_OUT	3 Wire Data	O	
G28		RST_GAM_PW	Gamma IC Reset	O	H: Reset
H30		OUT_SW	Monitor Output Switch Drive	O	H: Out
J1		VIDEO	Video Signal Input	I	
K1		S-C_PW	S-C Signal Input	I	
K3		S-Y_PW	S-Y Signal Input	I	
K26		ZOOM-	Zoom- Drive Output	O	
K27		LAMP_PWM	Lamp Control Output	O	
K29		FOCUS+	Focus+ Drive Output	O	
K30		FOCUS-	Focus- Drive Output	O	
L26		PW_SDA0	IIC Bus SDA0	I/O	
L27		PW_SCL0	IIC Bus SCL0	O	
L30		ZOOM+	Zoom+ Drive Output	O	
M1		G_IN_PW	Green Signal Input	I	
M2		B_IN_PW	Blue Signal Input	I	
M26		RXD_MCI	RXD for Network	I	
M27		TXD_MCI	TXD for Network	O	
N1		SCART_B	Blue Signal Scart Input	I	
N2		R_IN_PW	Red Signal Input	I	
P1		SCART_CV_PW	Composite Video Input Scart	I	
P2		SCART_G	Green Signal Scart Input	I	
R3		SCART_R	Red Signal Scart Input	I	
T2		SCART_G	Green Signal Scart Input (Sync On G)	I	
U1		Y_IN_PW	Y Signal Input (Component)	I	
U2		Y_IN_PW	Y Signal Input (Component)	I	

Control Port Functions

PIN	PORT	SIGNAL	FUNCTION	I/O	NOTE
U3		CB_IN_PW	CB Signal Input	I	
V2		CR_IN_PW	CR Signal Input	I	
Y1		HS2_PW	Horiz. Sync Signal Input 2	I	
AB3		ON_5V	ON_5V Drive Signal Output	O	
AB4		VS2_PW	Vert. Sync Signal Input 2	I	
AG10		FILTER_COUNT	Filter Scroll Count Input	I	
AG11		PW_R/C_FRONT	RC Input Front	I	
AG12		EX_PW_UART	UART RXD	I	
AG18		PW_DHS	Horiz. Sync Signal Output	O	
AH10		PW_R/C_TOP	RC Input Top	I	
AH11		PW_R&W_WIRED	RC Input Rear and Wired	I	
AH12		PW_EX_UART	UART_TXD	O	
AH18		PW_DVS	Vert. Sync Signal Output	O	
AH22		PRESS_SENS	Pressure Sensor Input	I	
AJ22		LENS_CH_POSI_EX	Lens Shift H Center Position Detect	I	
AK21		WINDS_SENS	Wind Sensor Input	I	
AK22		LENS_CV_EX	Lens Shift V Center Position Detect	I	

I/O Expander (TE7783, IC4801)

PIN	PORT	SIGNAL	FUNCTION	I/O	NOTE
3	P2	NET_SW_PW	PJNET Switch Output	O	
4	P3	IC_RESET	Low Power Switch	O	H: On
5	P4	F_MOTOR_SW	Filter Motor Drive	O	L: Output, H: Stop
6	P5	LENS_LR_SW	Lens Shift LR Switch	O	
7	P6	LENS_UD_SW	Lens Shift U/D Switch	O	L: Down
8	P7	PJ_UPDATE	PJNET Firmware update	O	H: Normal Mode
9	P8	NET_H/L	PJNET	O	Active L
49	P22	PROG_B_FRT	SW_FPGA Config	O	
50	P23	DDC_SCL	IIC Bus DDC	O	
51	P24	DDC_SDA	IIC Bus DDC	I/O	
52	P25	GAMMA_SCL3	IIC Bus GAMMA	O	
53	P26	GAMMA_SDA3	IIC Bus GAMMA	I/O	
54	P27	USBB_VBUS		O	USB
61	AIN[1]	PF_S1.2V_FRT	Power Fail Input for S1.2V FRT	I	
62	AIN[2]	PF_S5V_MAIN	Power Fail Input for S5V MAIN	I	
63	AIN[3]	PF_5V_MAIN	Power Fail Input for 5V MAIN	I	
64	AIN[4]	P_FAIL_LAN	Power Fail Input for LAN	I	
65	AIN[5]	ACCELE_SENS1+	Acceleration Sensor Input 1+	I	
66	AIN[6]	ACCELE_SENS1-	Acceleration Sensor Input 1-	I	
67	AIN[7]	ACCELE_SENS2+	Acceleration Sensor Input 2+	I	
68	AIN[8]	ACCELE_SENS2-	Acceleration Sensor Input 2-	I	
72	P31	I/O_PJ_UART	UART for PJNET	O	UART
73	P32	PJ_I/O_UART	UART for PJNET	I	UART
74	P33	MOUSE_TXD	PJNET Mouse	O	UART
76	P35	LENS_LR_PWM	Lens Shift L/R Control PWM	O	L: Operating, H: Stop
77	P36	LENS_UD_PWM	Lens Shift U/D Control PWM	O	L: Operating, H: Stop
78	P37	MOTOR_STEP	Filter Motor Drive	O	PWM
81	DMINUS	USB_D-		I/O	USB
82	DPLUS	USB_D+		I/O	USB
91	P11	SCLK_FRT	SW FPGA Config	O	3-Wire
92	P12	SDAT_FRT	SW FPGA Config	O	3-Wire
94	P14	BOX_SW	Network Box Switch	I	L: Detected
97	P15	W_R/C_SW	Wired Remote Control Detect Input	I	L: Detected
98	P16	SILINT		O	
99	P17	INT_FRT	SW FPGA Config	I	
100	P18	DONE_FRT	SW FPGA Config	I	

Control Port Functions

FPGA (XC3S50A, IC5201)

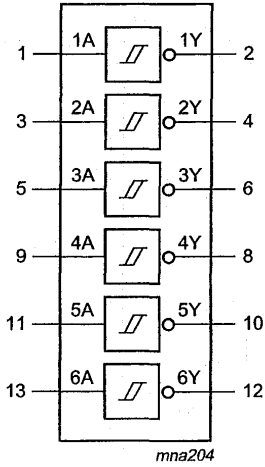
PIN	PORT	SIGNAL	FUNCTION	I/O	NOTE
	A3	PW_SCL0	IIC Bus SCL0	I	
	B3	PW_SDA0	IIC Bus SDA0	I/O	
	B8	CG_HSYNC	Horiz. Sync Signal Input	I	
	C1	PF_S3.3V	Power Failure Detection Input S3.3V	I	
	C2	PF_3.3V_AD	Power Failure Detection Input 3.3V AD	I	
	C4	SW_PF3.3V	PF_3.3V Switch	O	
	C8	CG_VSYNC	Vert. Sync Signal Input	I	
	C15	SHUTTER_SW+	Shutter Switch Drive +	O	
	D3	PF_3.3V_KS	Power Failure Detection Input 3.3V KS	I	
	D4	PF_2.5V_KS	Power Failure Detection Input 2.5V KS	I	
	D15	SHUTTER_SW-	Shutter Switch Drive -	O	
	D16	VSOUT	Vert. Sync Signal Input	I	
	E1	PF_1.8V_KS	Power Failure Detection Input 1.8V KS	I	
	E14	SHUTTER_POSI1	Shutter Position Detect	I	
	F1	PF_1.2VS1	Power Failure Detection Input 1.2VS1	I	
	F4	PF_3.3VS1	Power Failure Detection Input 3.3VS1	I	
	F11	PF_FN906	Power Failure Detection and Fan Lock Input FN906	I	
	F12	PF_FN903	Power Failure Detection and Fan Lock Input FN903	I	
	F13	SHUTTER_POSI2	Shutter Position Detect	I	
	G1	PF_5VS1	Power Failure Detection Input 5VS1	I	
	G11	PF_FN905	Power Failure Detection and Fan Lock Input FN905	I	
	H3	PF_3.3V_GAM	Power Failure Detection Input 3.3V GAM	I	
	J3	PF_2.5V_GAM	Power Failure Detection Input 2.5V GAM	I	
	J7	PF_1.8V_GAM	Power Failure Detection Input 1.8V GAM	I	
	J12	INOVS	Vert. Sync Signal Output	O	
	J13	INOHS	Horiz. Sync Signal Output	O	
	K3	PF_15.5V_GAM	Power Failure Detection Input 15.5V GAM	I	
	K5	PF_5V_PJ	Power Failure Detection Input 5V PJ	I	
	K6	PF_9V_LNS	Power Failure Detection Input 9V LNS	I	
	L5	PF_15V_LNS	Power Failure Detection Input 15V LNS	I	
	L6	PF_6V_MAIN	Power Failure Detection Input 6V MAIN	I	
	L7	PF_12V	Power Failure Detection Input 12V	I	
	L8	PF_12V_FILTER	Power Failure Detection Input 12V FILTER	I	
	L9	PF_S5V_AV	Power Failure Detection Input S5V AV	I	
	L10	PF_S-6V_AV	Power Failure Detection Input S-6V AV	I	
	M7	PF_FN904	Power Failure Detection and Fan Lock Input FN904	I	
	M8	PF_FN902	Power Failure Detection and Fan Lock Input FN902	I	
	N3	PF_FN901	Power Failure Detection and Fan Lock Input FN901	I	
	N5	PF_FN909	Power Failure Detection and Fan Lock Input FN909	I	

IIC Bus D/A Converter (M62393FP Fan Control, IC7801)

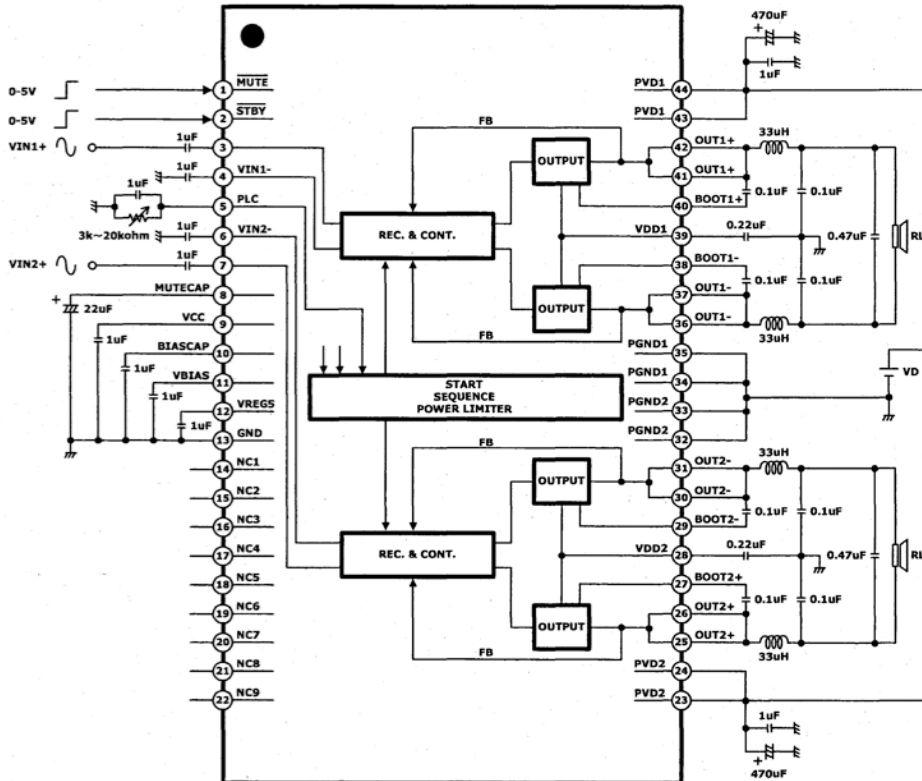
Pin No.	Function Name	Function	Pol.	Action	
				Stand-by	Power On
1	Reset Input		I	→	
2	PW_SCL0_S5V	IIC BUS SCL	I	→	
3	PW_SDA0_S5V	IIC BUS SDA	I/O	→	
4	FAN_CONT1	FAN_FN909, FN910, FN911 Control Voltage (Panel Cooling)	AO	→	0:FAN Max - 255:FAN Min
5	FAN_CONT2	FAN_FN906, FN907, FN908 Control Voltage (Panel Cooling)	AO	→	0:FAN Max - 255:FAN Min
7	FAN_CONT4	FAN_FN902 Control Voltage (PBS Cooling)	AO	→	0:FAN Max - 255:FAN Min
8	GND		-	→	
9	DAC Upper Ref. Voltage(CH5-CH8)		-	→	
10	GND		-	→	
11	DAC Upper Ref. Voltage (CH1-CH4)		-	→	
12	FAN_CONT3	FAN_FN904 Control Voltage (Lamp Cooling)	AO	→	0:FAN Max - 255:FAN Min
13	FAN_CONT7	FAN_FN905 Control Voltage (Exhaust)	AO	→	0:FAN Max - 255:FAN Min
14	FAN_CONT6	FAN_FN903 Control Voltage (Lamp Cooling)	AO	→	0:FAN Max - 255:FAN Min
15	FAN_CONT5	FAN_FN901 Control Voltage (Power Cooling)	AO	→	0:FAN Max - 255:FAN Min
16	Power for Output Buffer (4.5V - 5.5V)		-	→	
17	Power Supply +5V±10%		-	→	
18	Slave Address Setting Pin2 (Vdd)		I	→	H
19	Slave Address Setting Pin1 (Vdd)		I	→	H
20	Slave Address Setting Pin0 (Vdd)		I	→	H

IC Block Diagrams

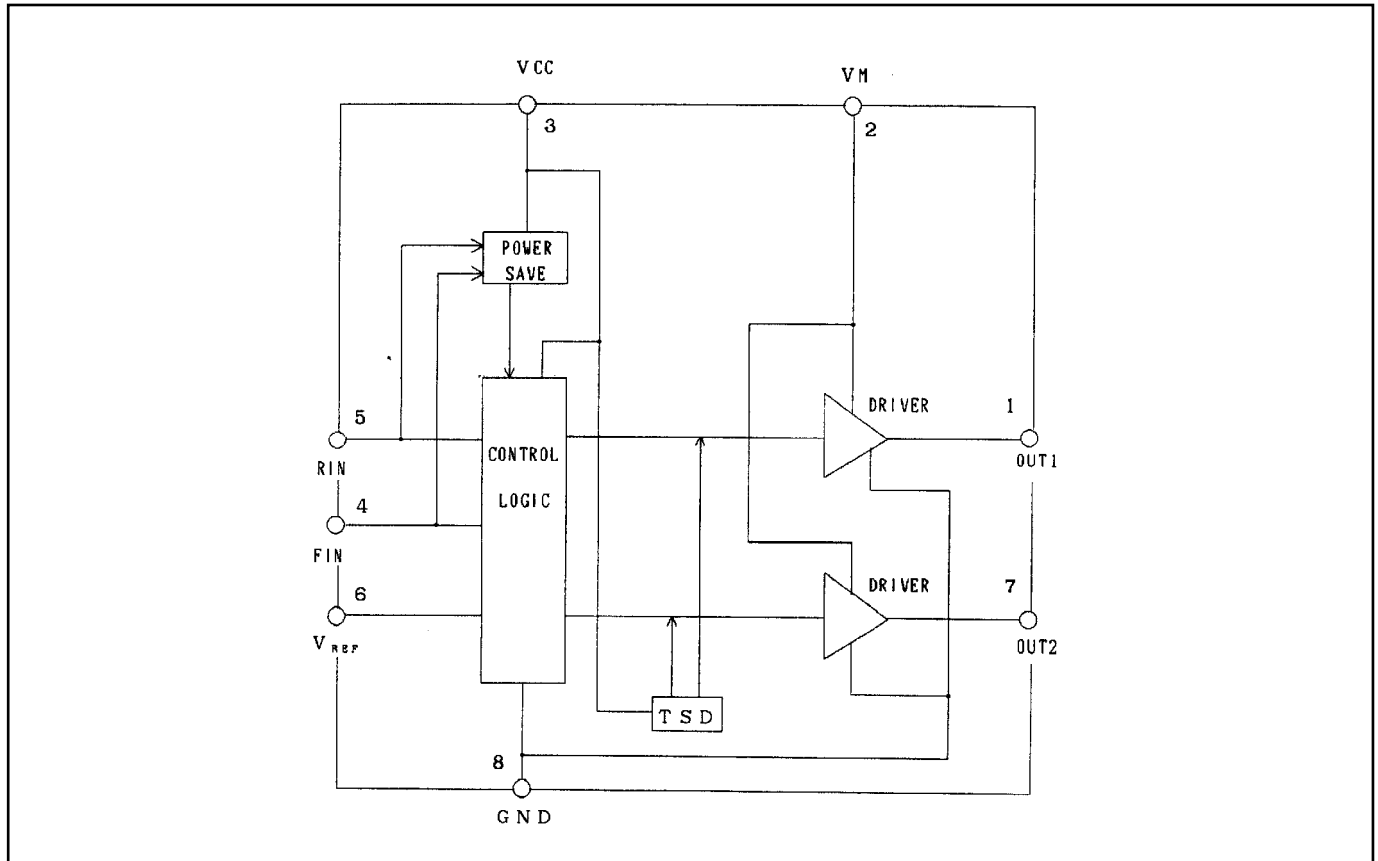
● 74LVC14 <Inverter, IC5502>



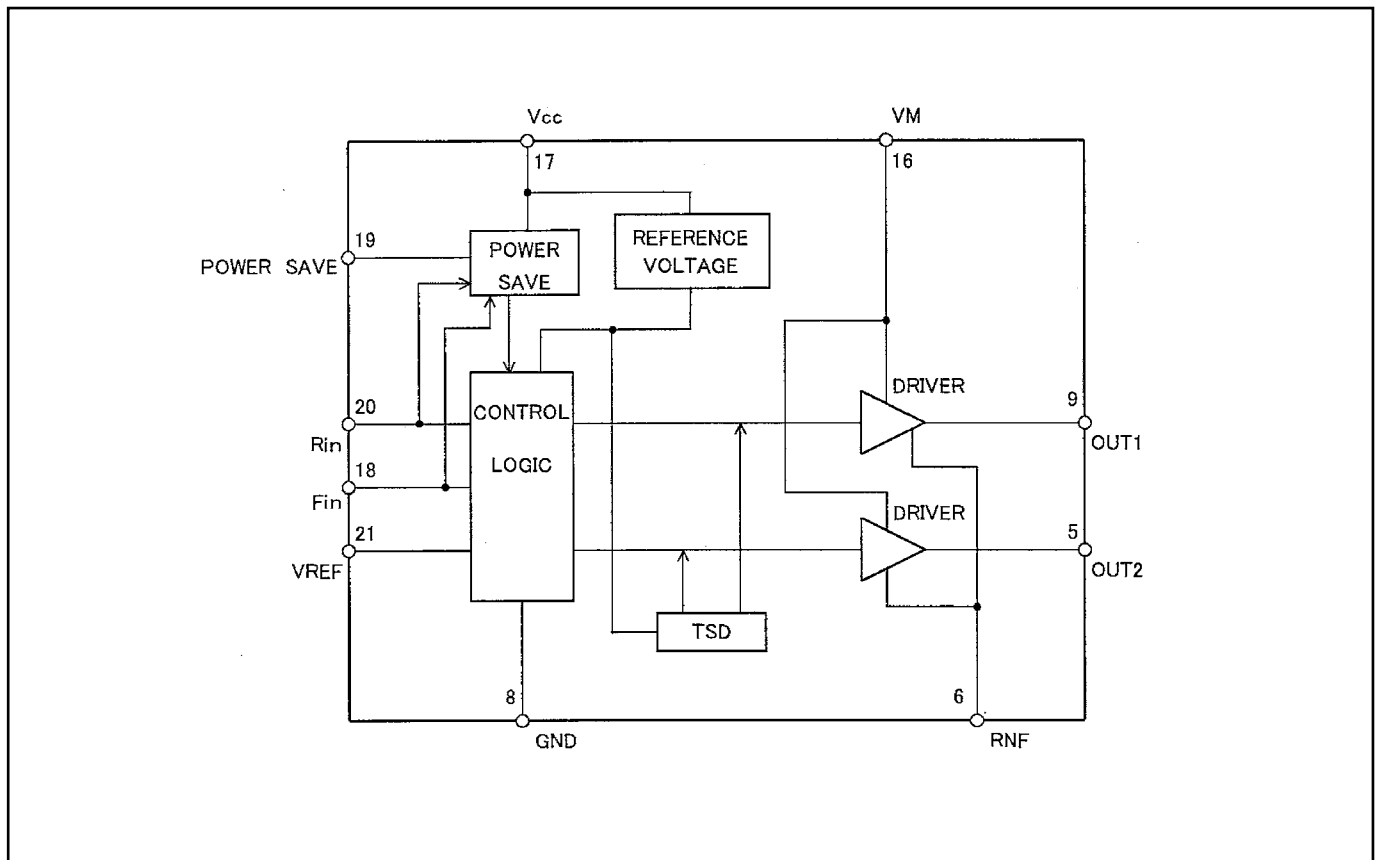
● LV49152V <Audio Output, IC001>



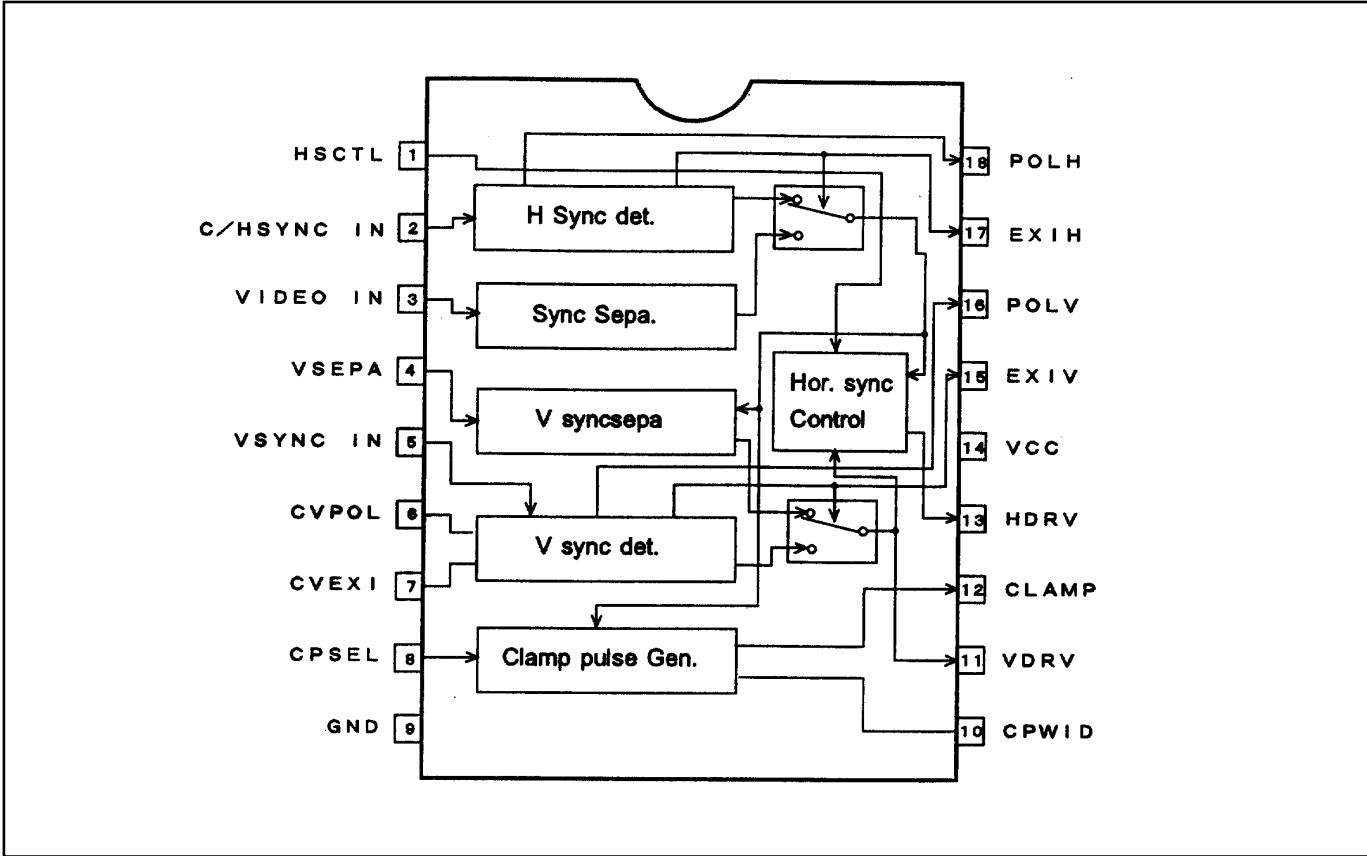
● BA6287 <Motor Drive Focus, Zoom, Shutter IC5501, IC5521>



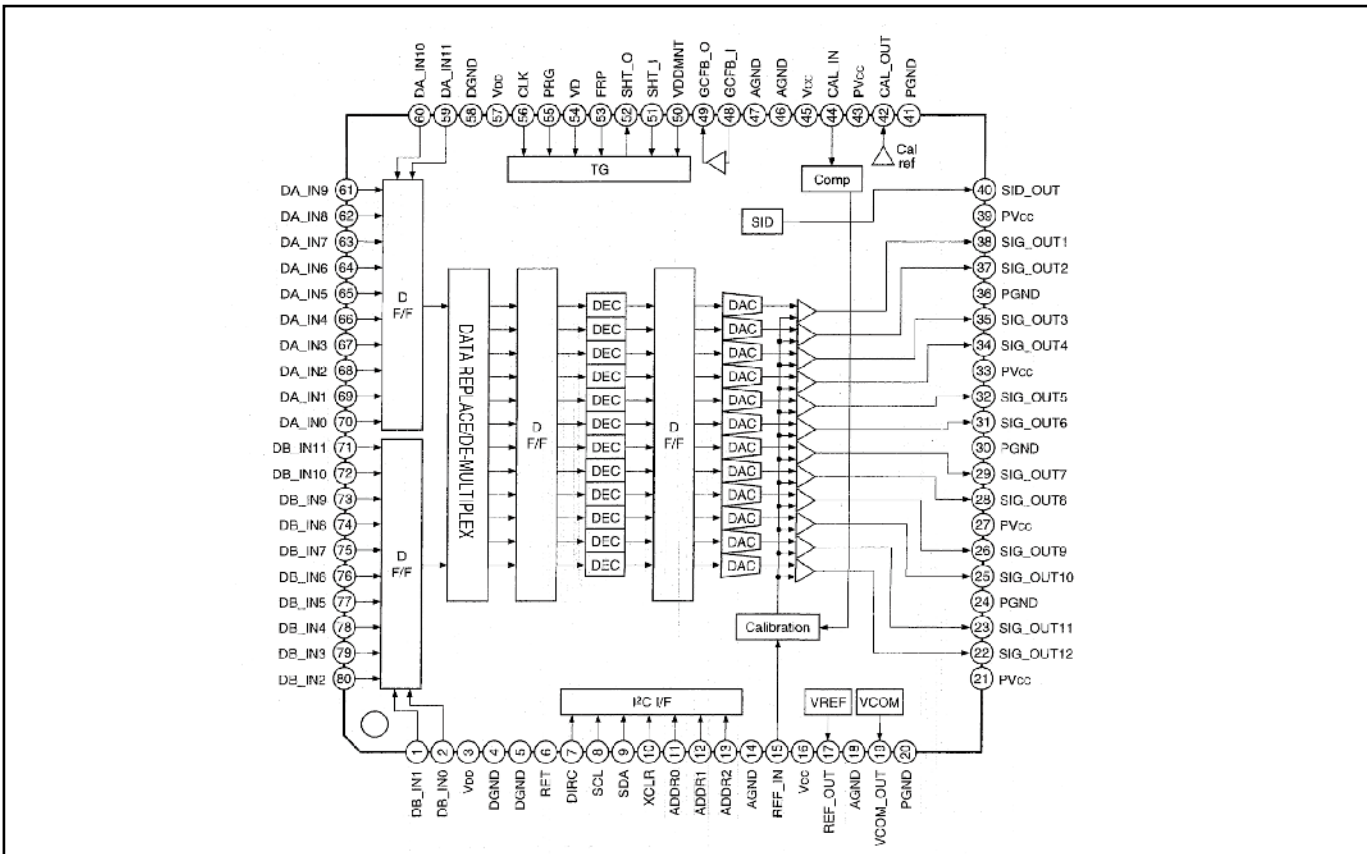
● BA6920 <Motor Drive Lens Shift Up/Down, Left/Right, IC6502, IC6521>



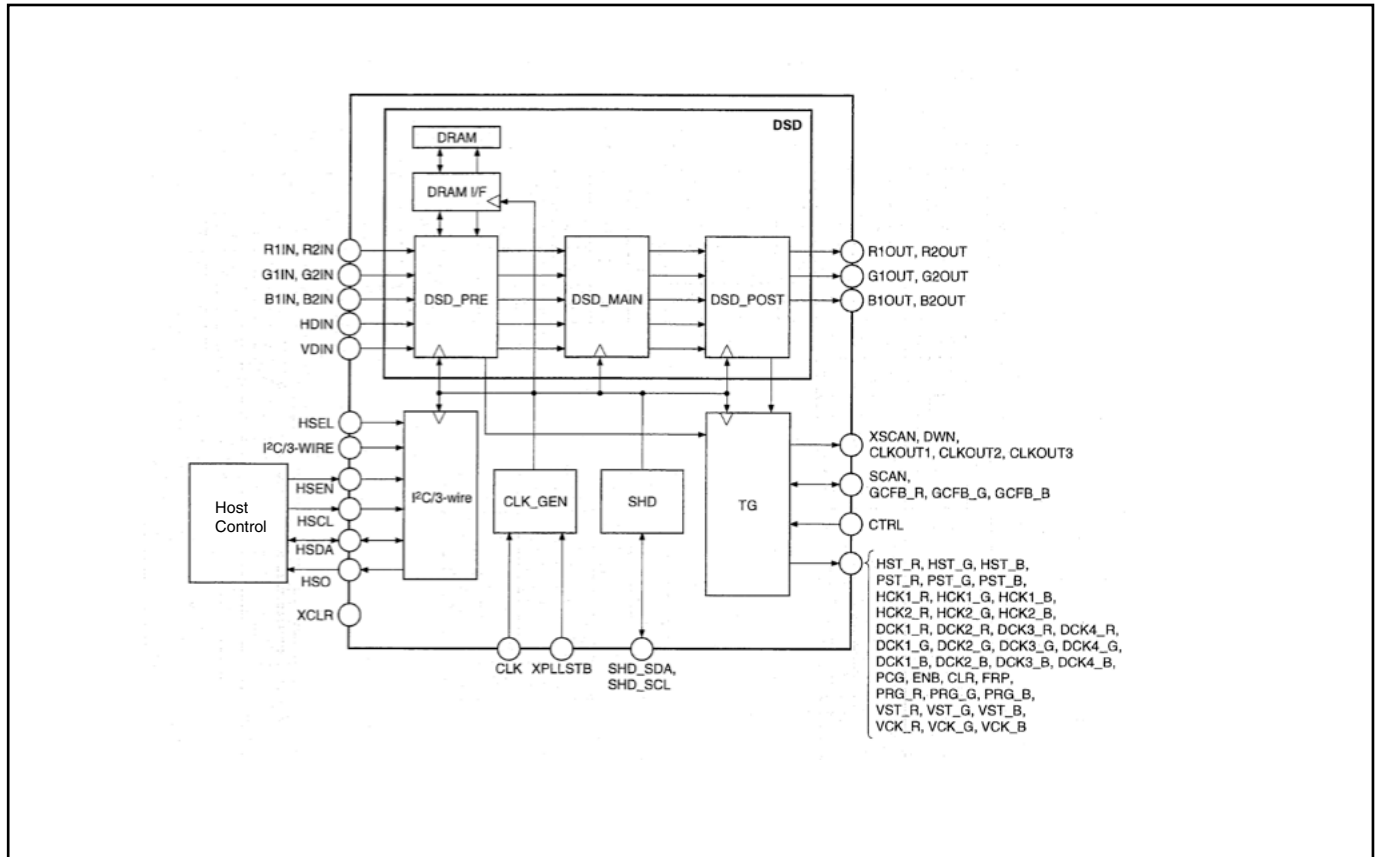
● BA7078 <Sync Separator, IC1011>



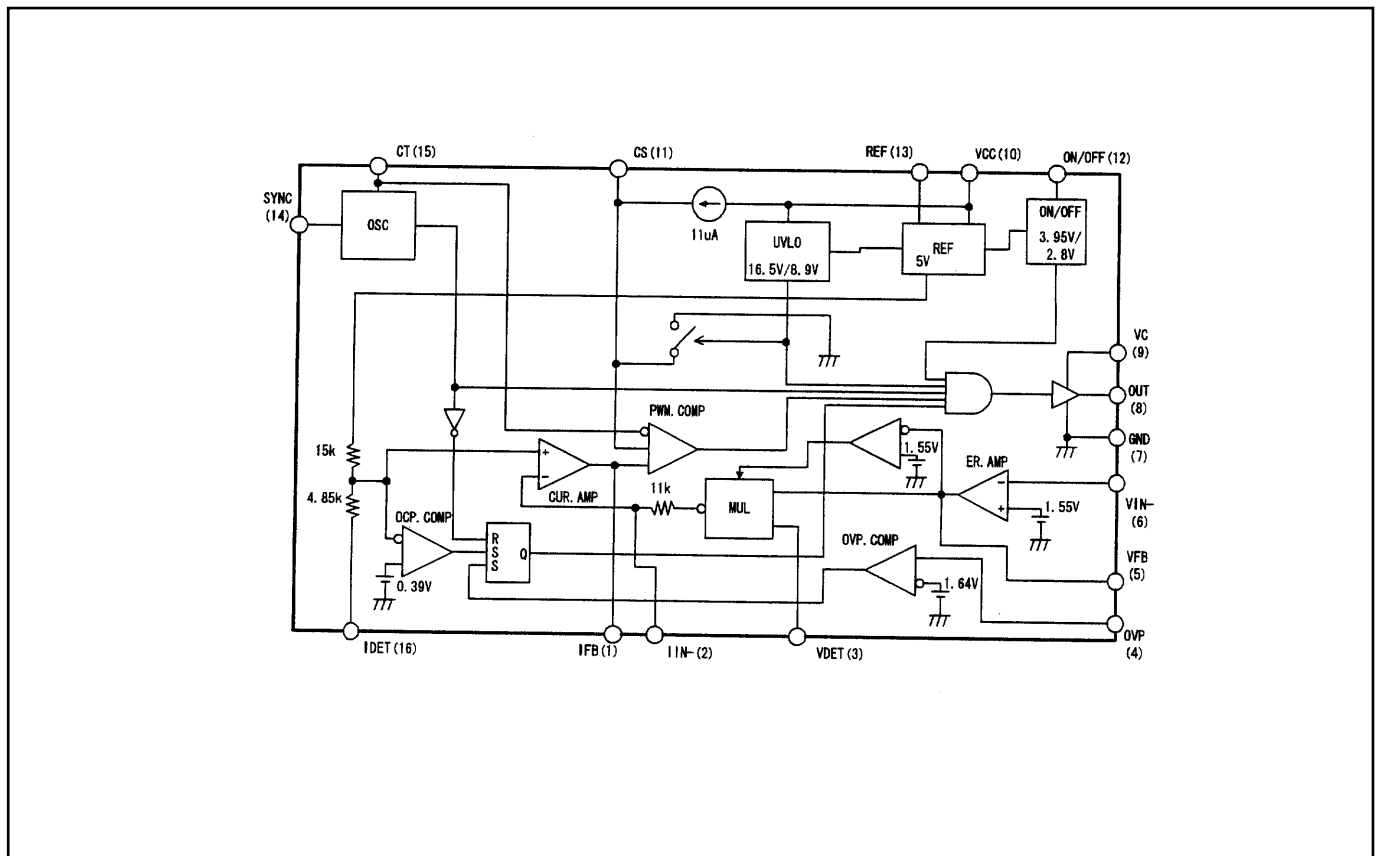
● CXA7009 <S&H, IC501, IC531, IC561>



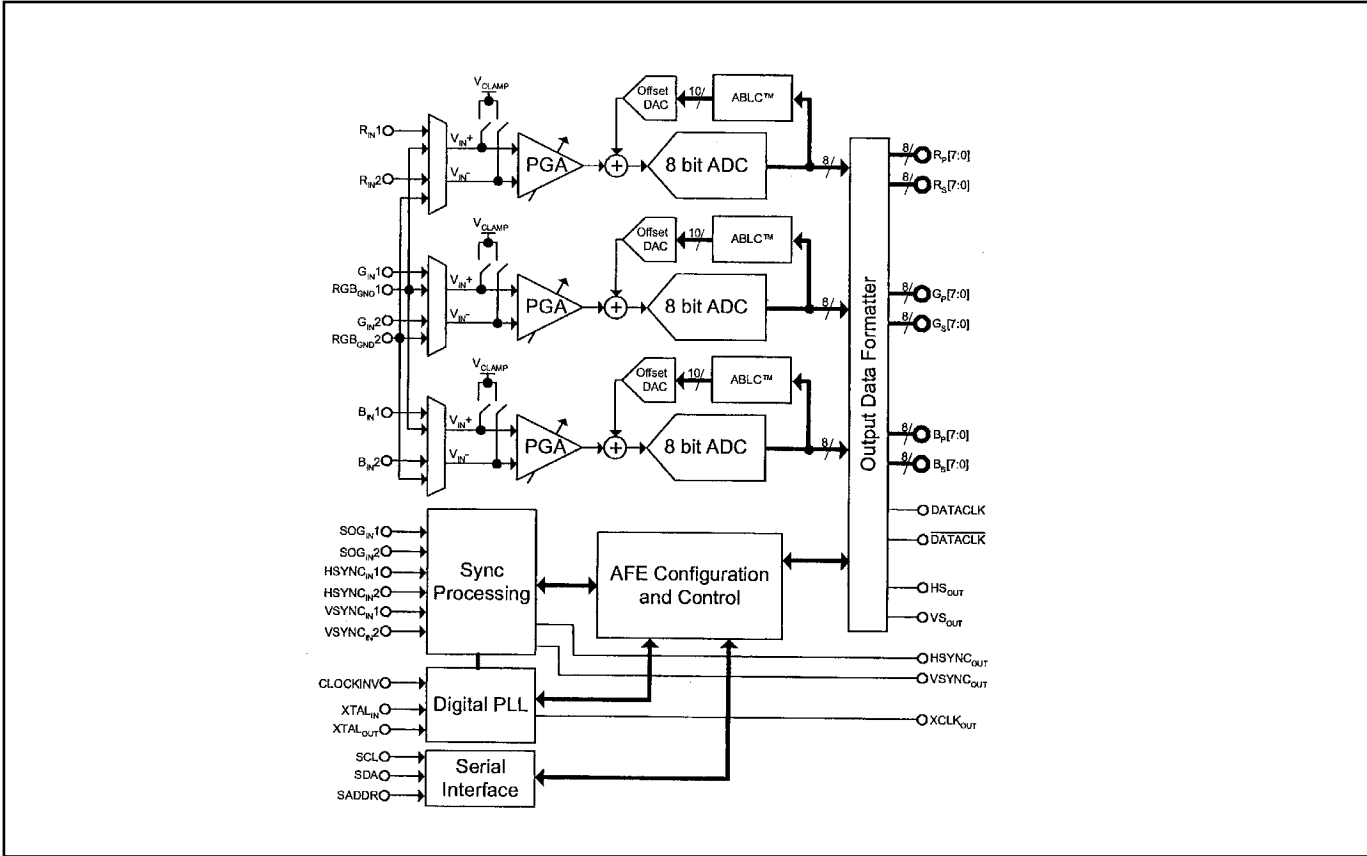
● CXD3548 <Digital Gamma Correction, IC401>



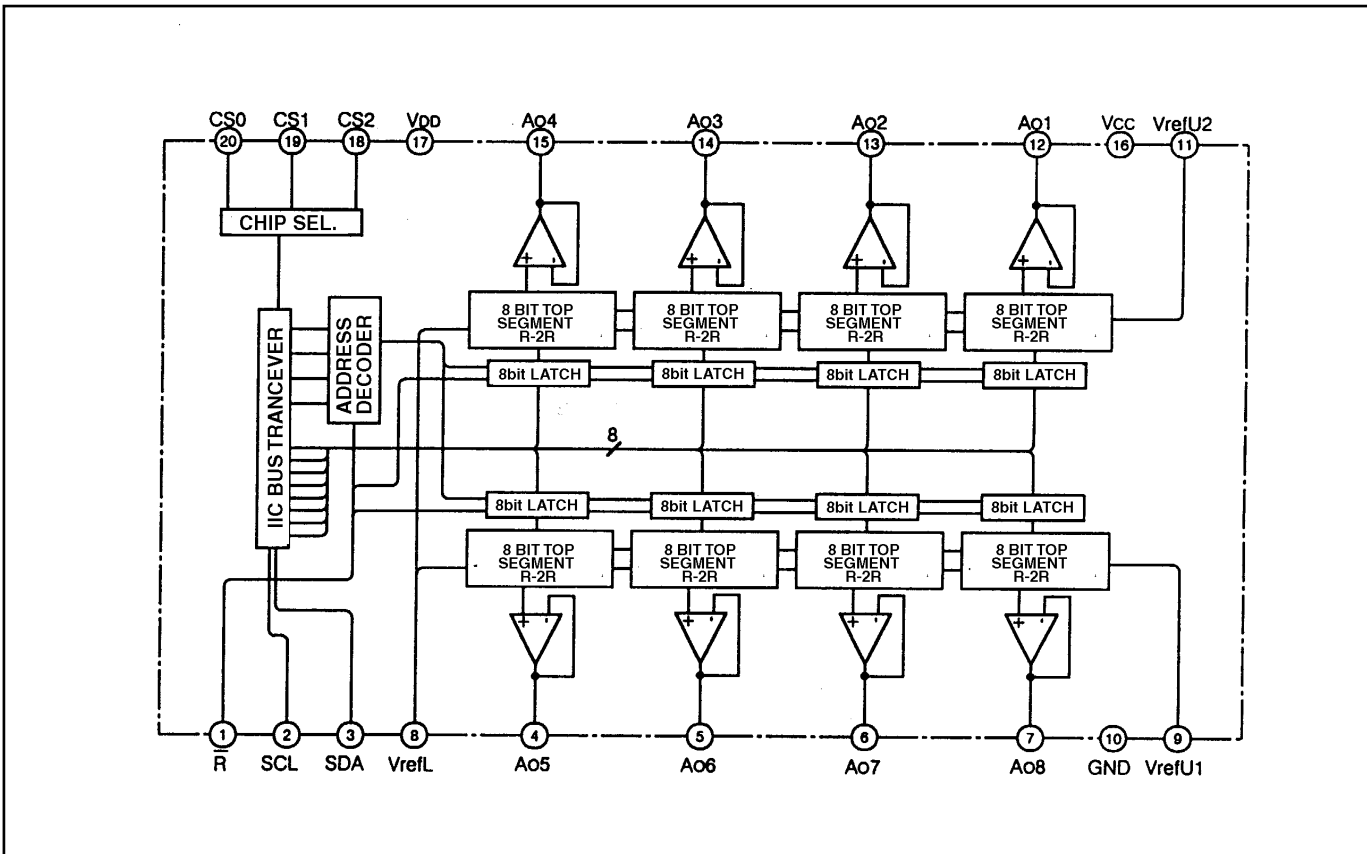
● FA5502 <P. F Control, IC601>



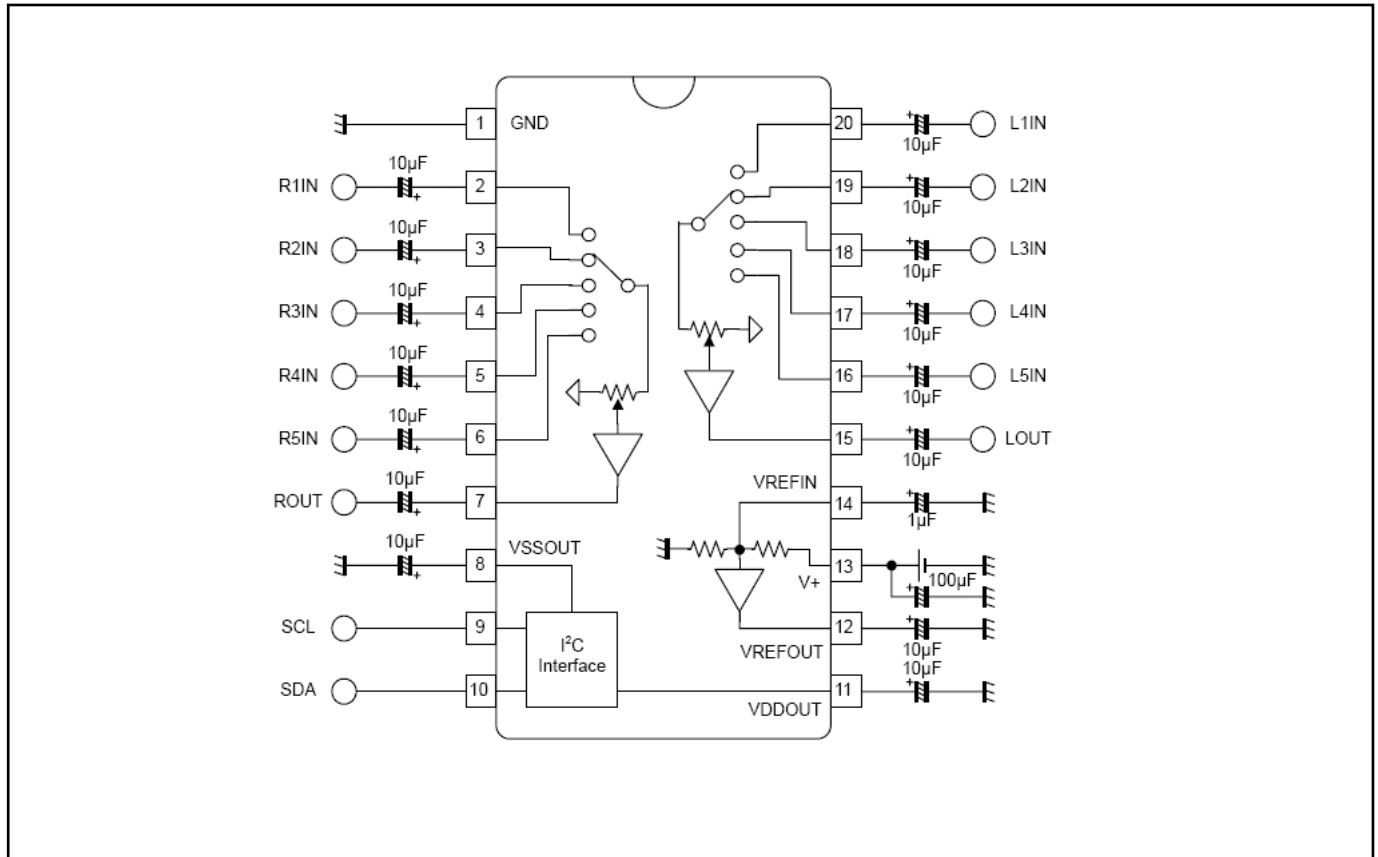
● ISL98001 <A/D Converter, IC2201>



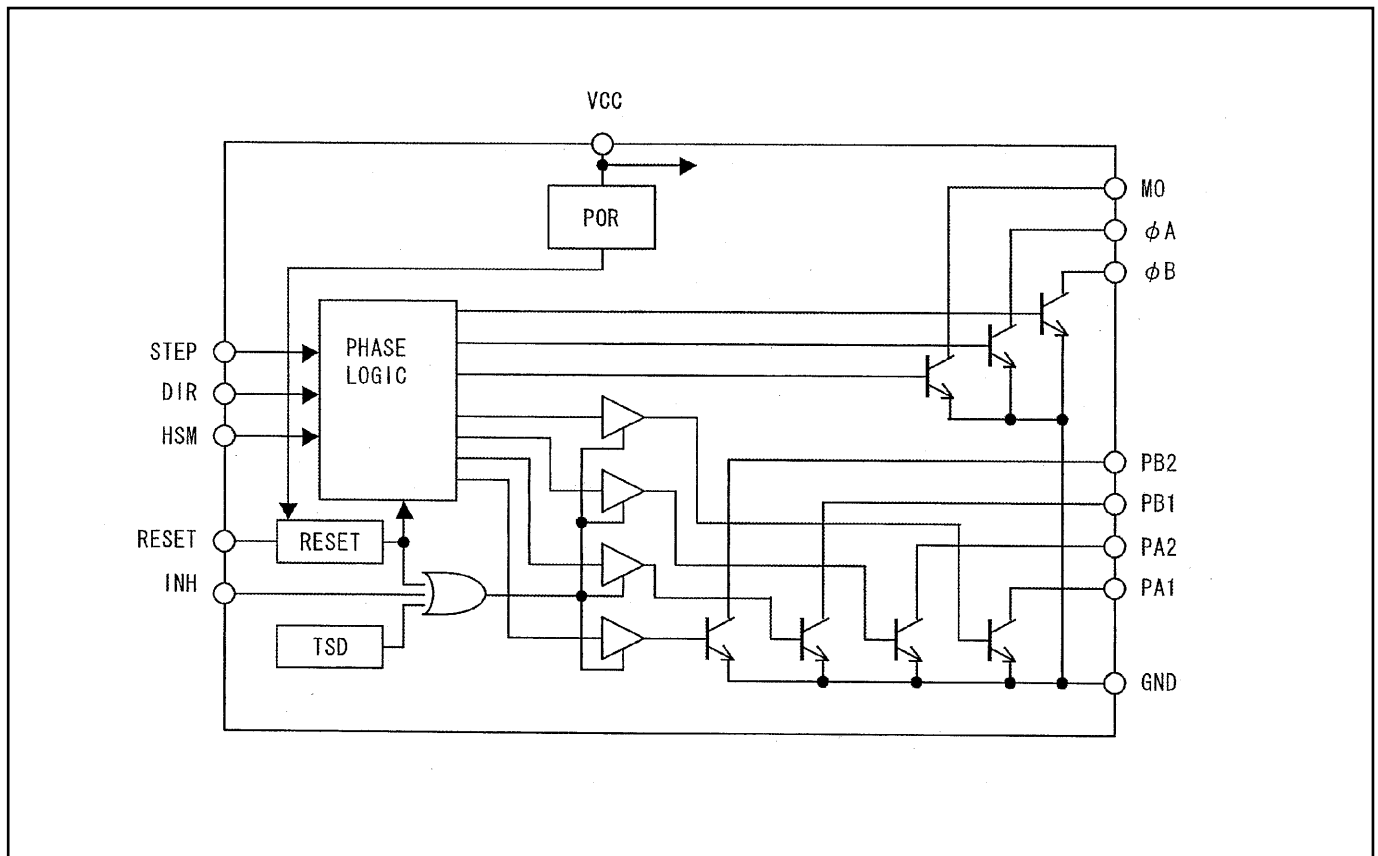
● M62393 <DAC, IC7801>



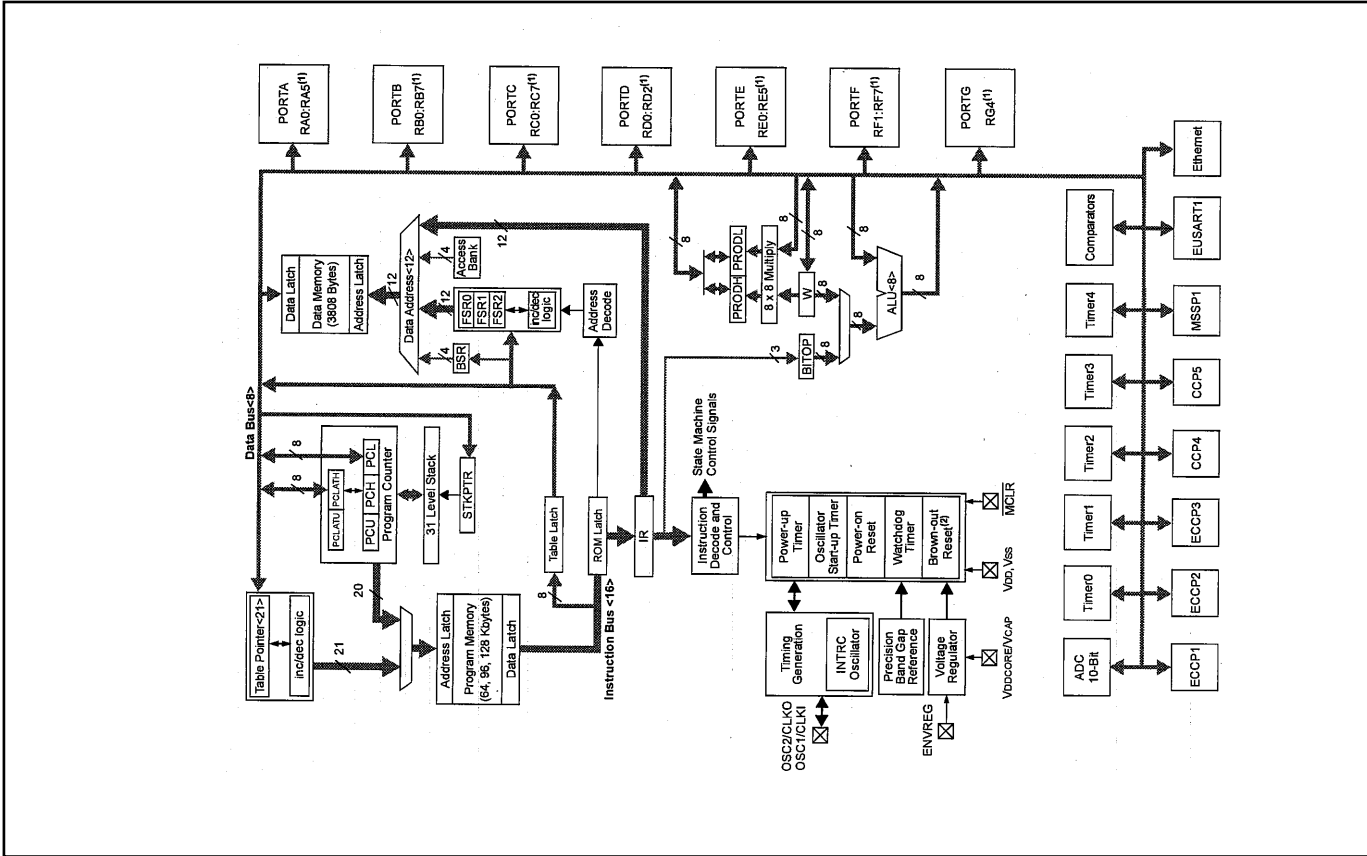
● NJW1156 <Audio Selector, IC5001>



● NJM2671 <Motor Controller, IC5541>



● PIC18F67 <PIC, IC8801>



● PW392 <Scaler, IC301>

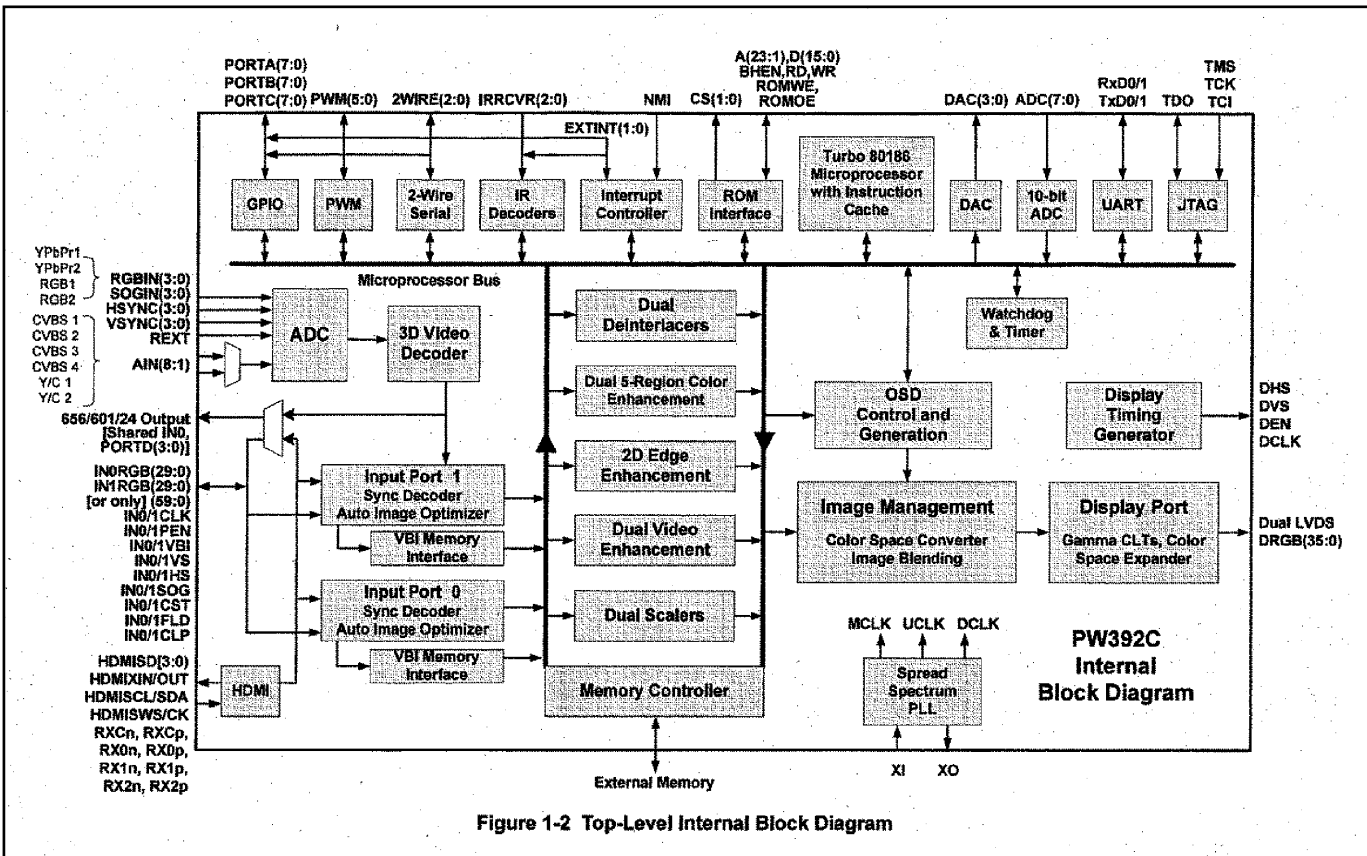
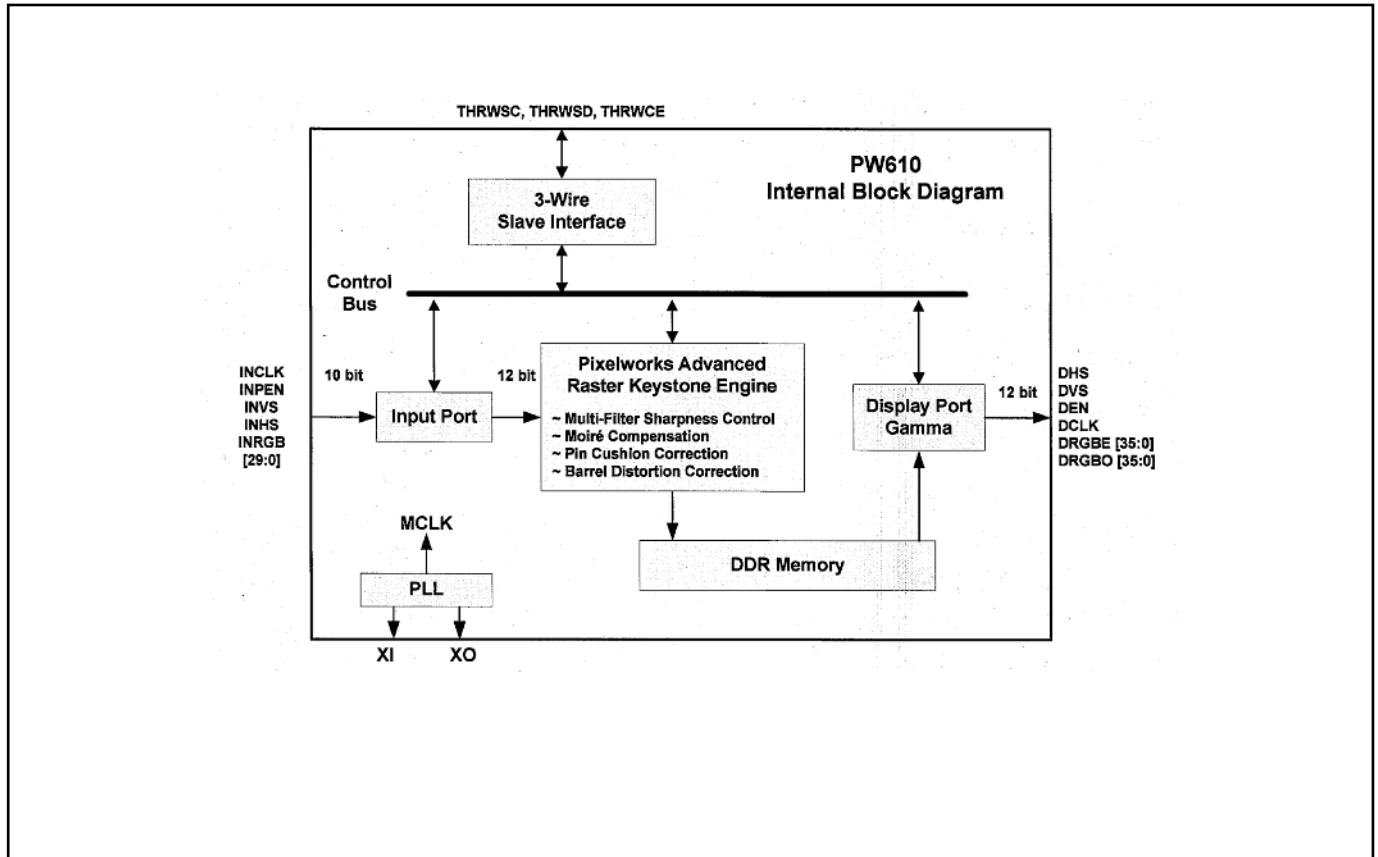
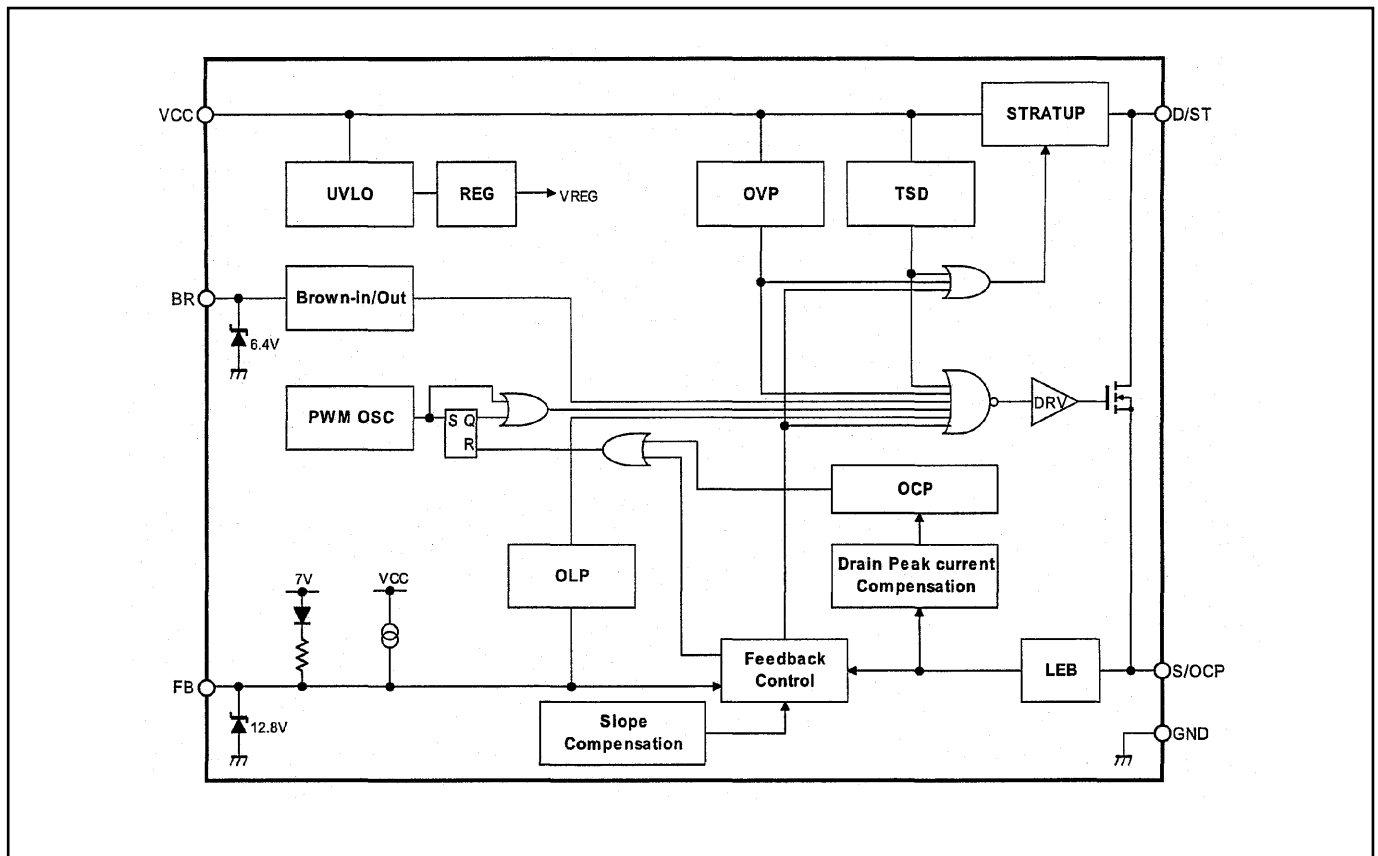


Figure 1-2 Top-Level Internal Block Diagram

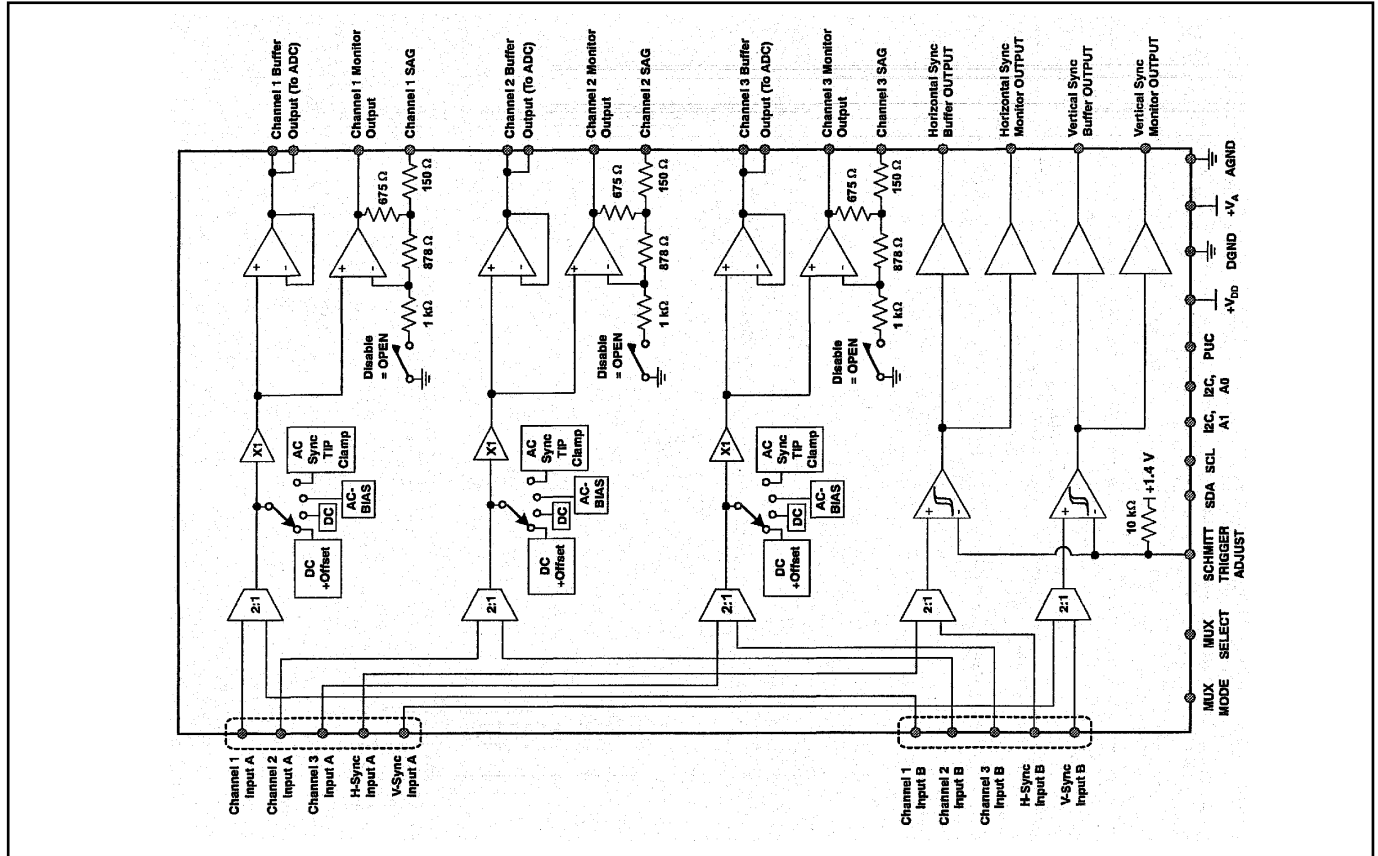
● PW610 <Keystone, IC2301>



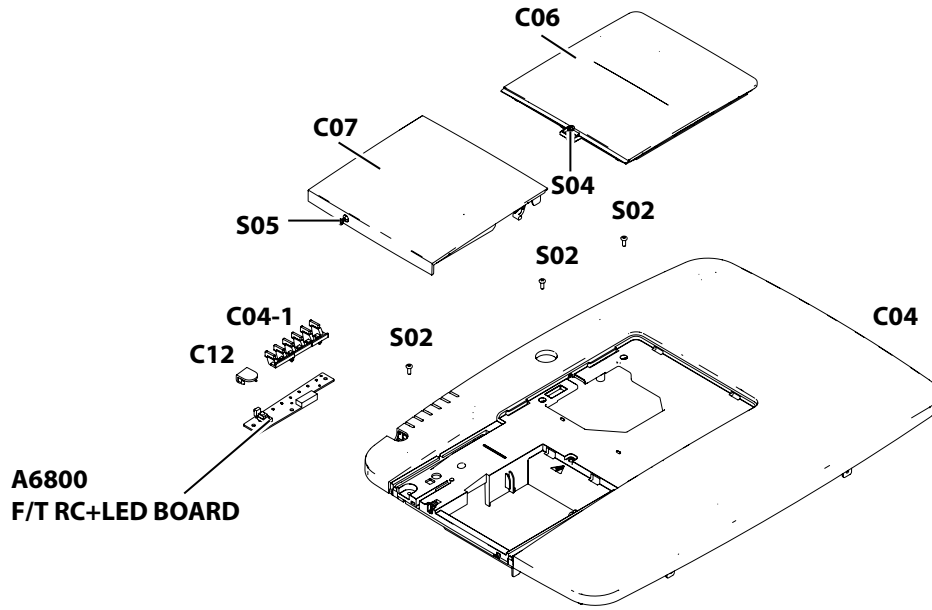
● STR-A6079 <Power switching, IC603>



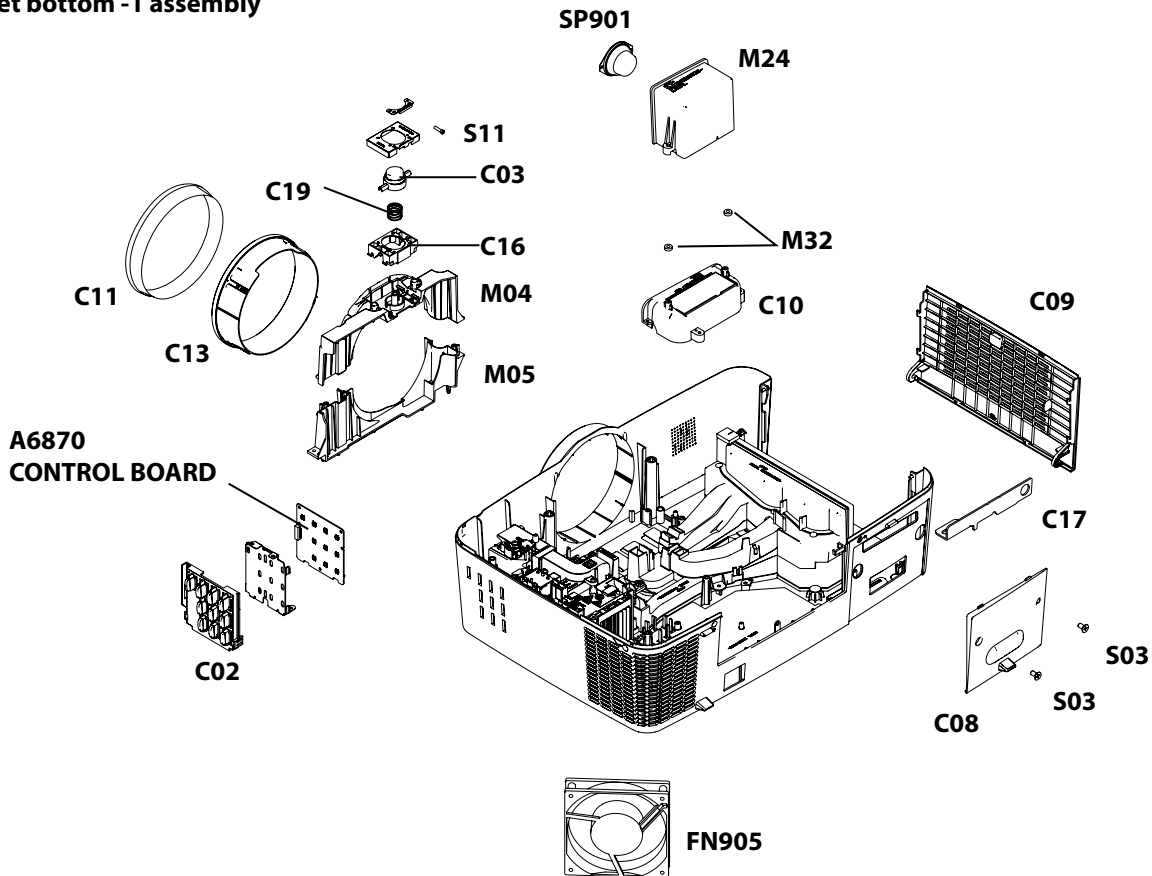
● THS7347<3-CH Analog SW, IC5231,IC5251, IC5271>



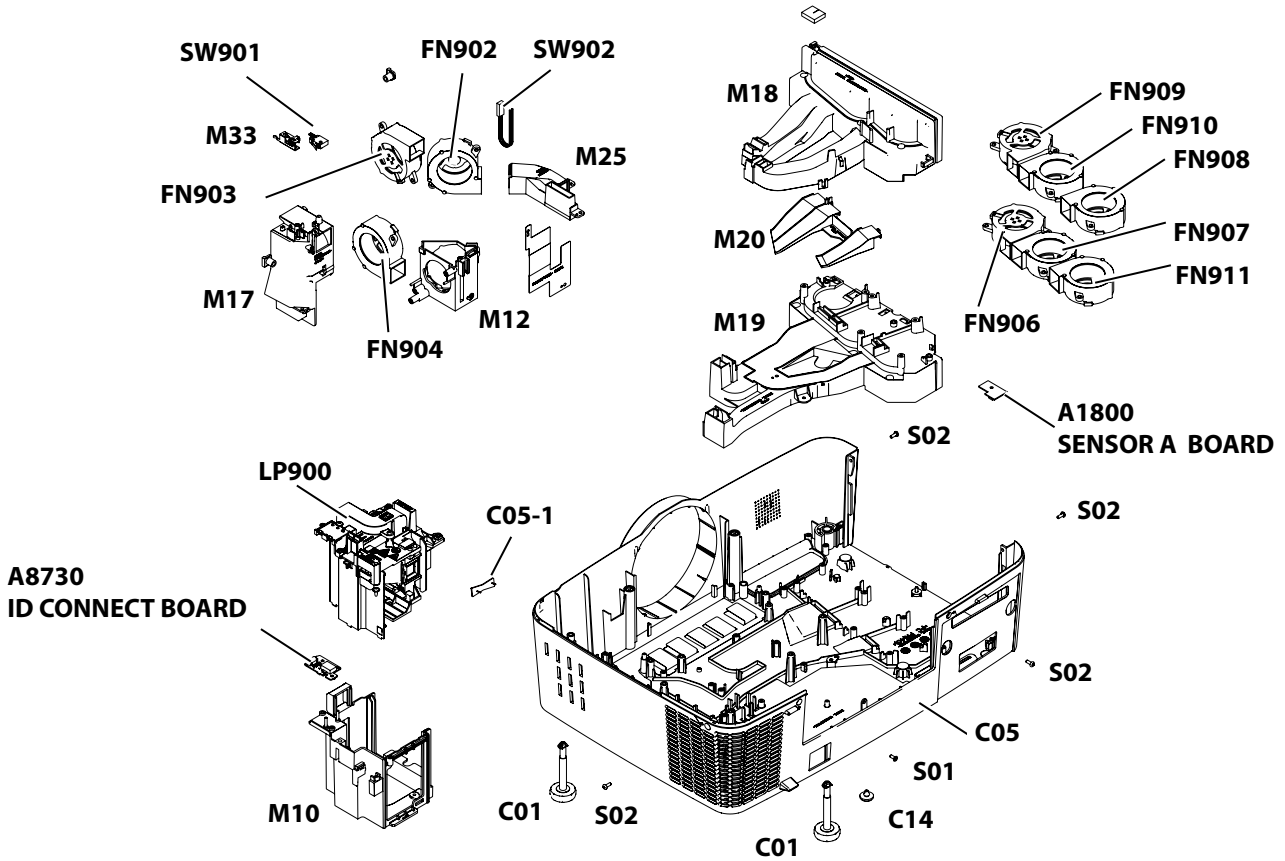
Cabinet top assembly



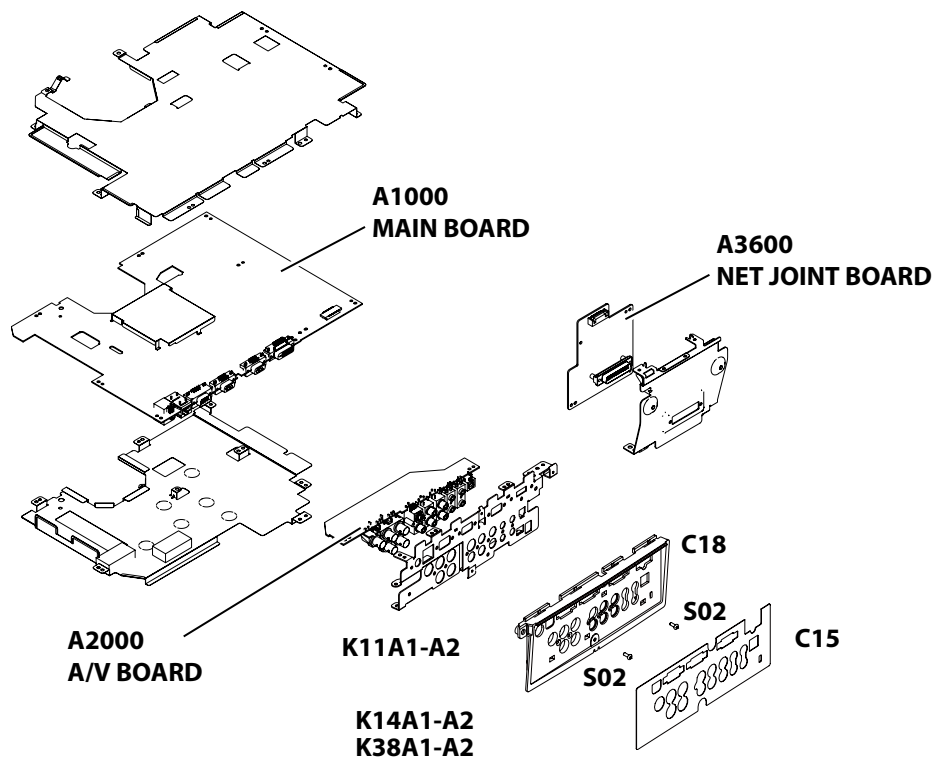
Cabinet bottom -1 assembly



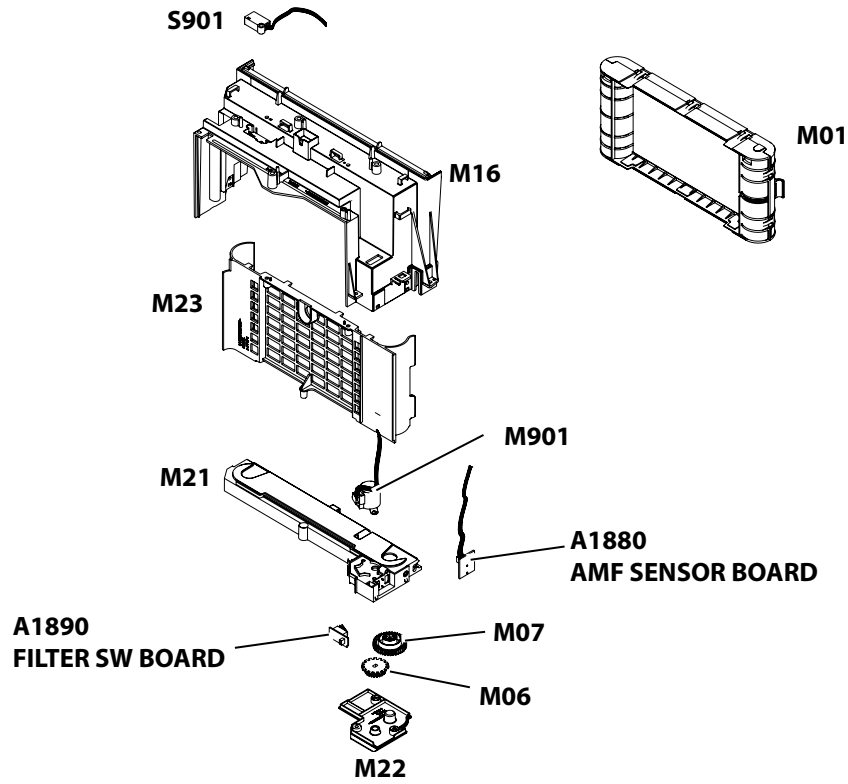
Cabinet bottom-2 assembly



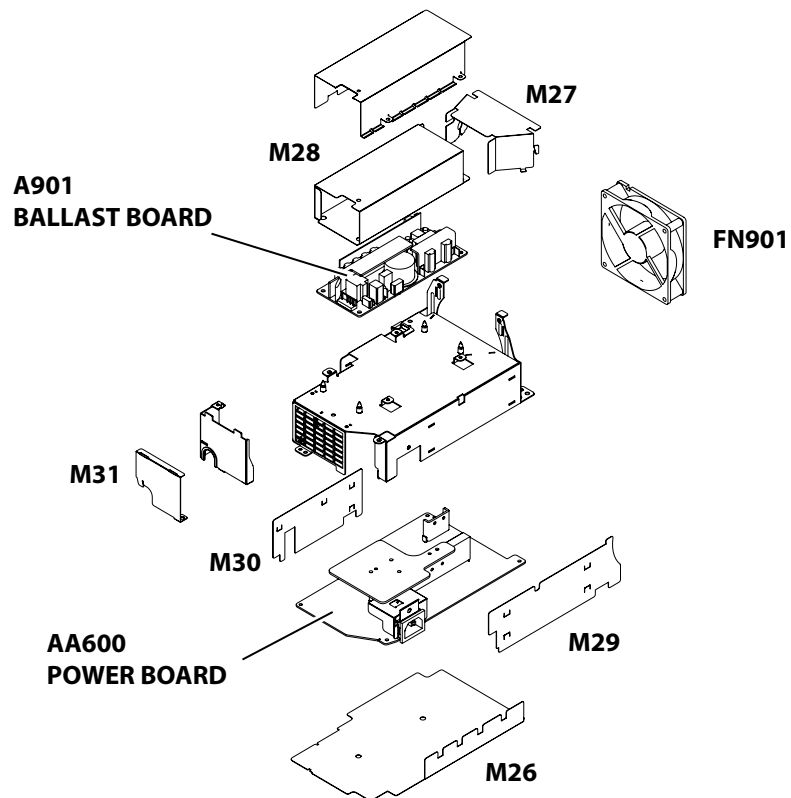
Main, A/V and Net Joint board assembly



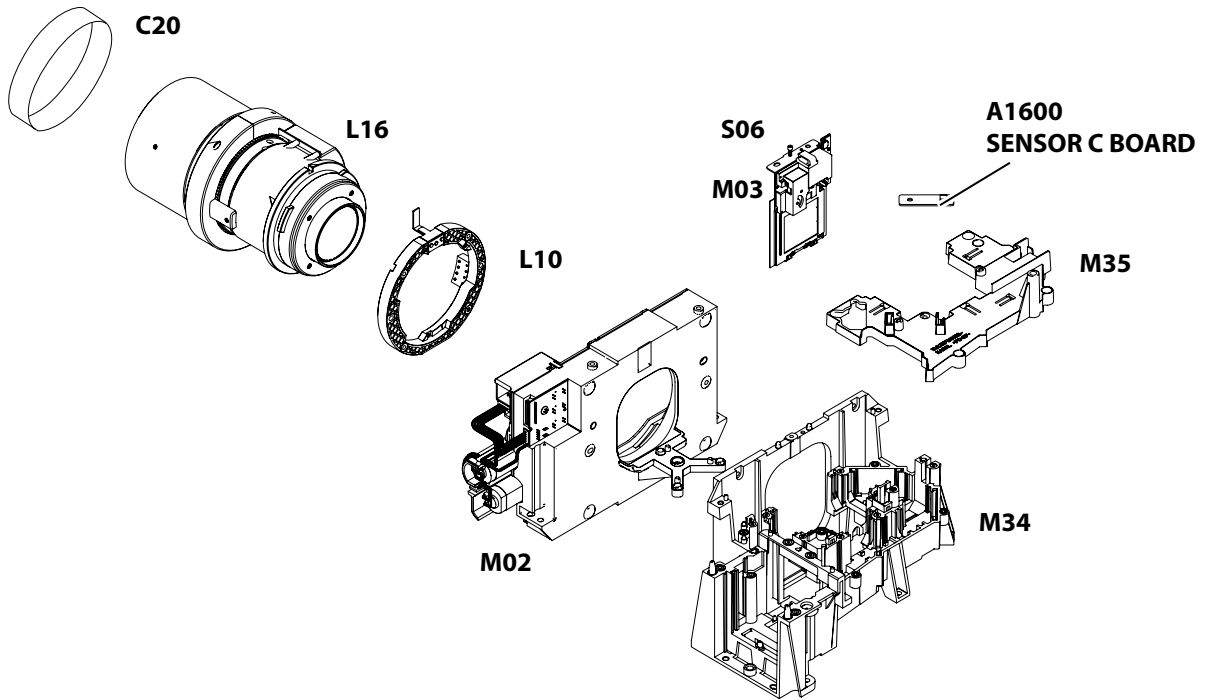
Filter box assembly



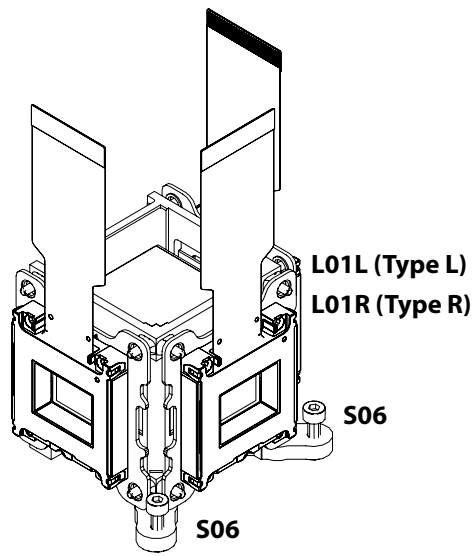
Power box assembly



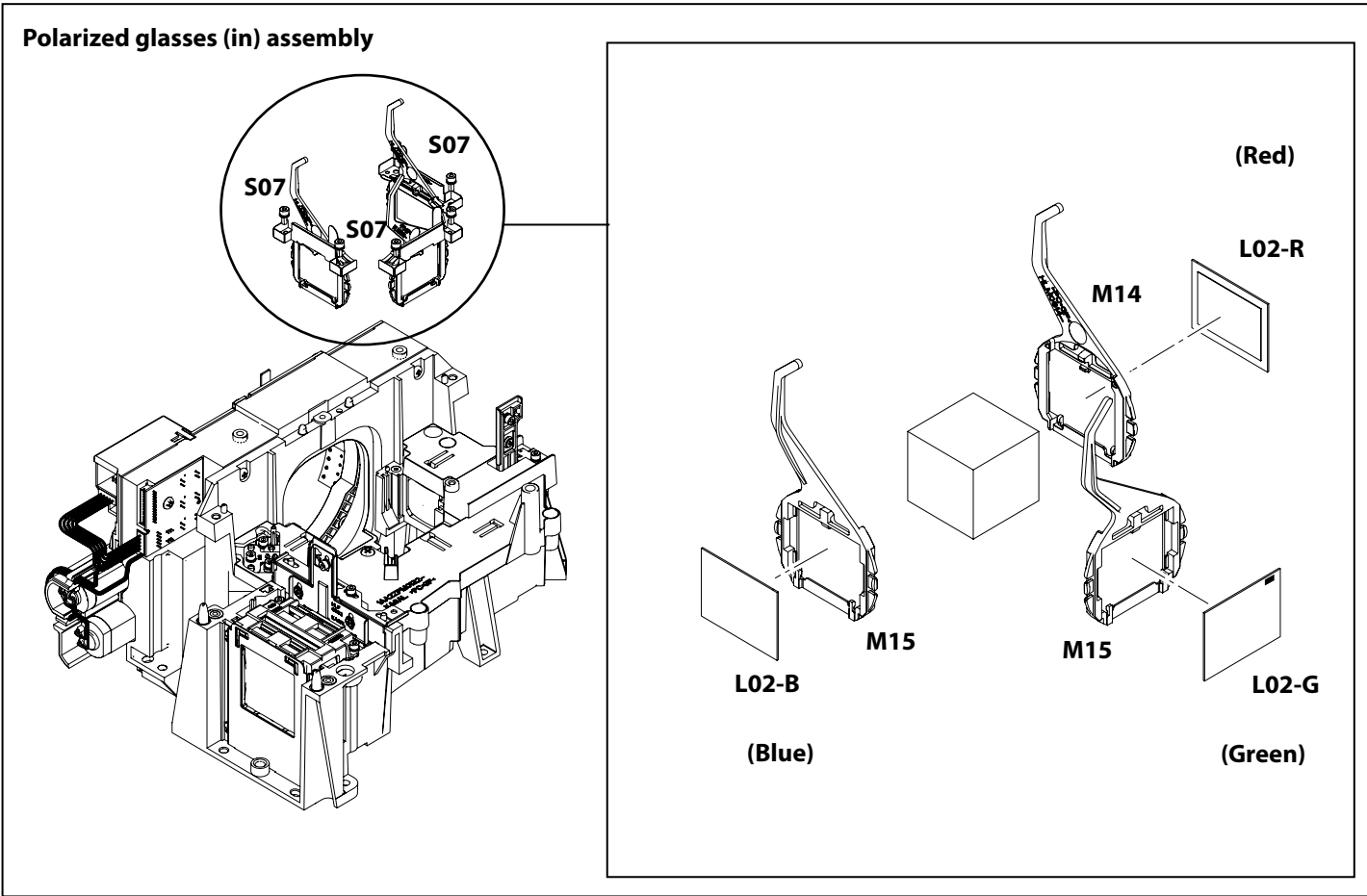
Projection lens and Optical unit



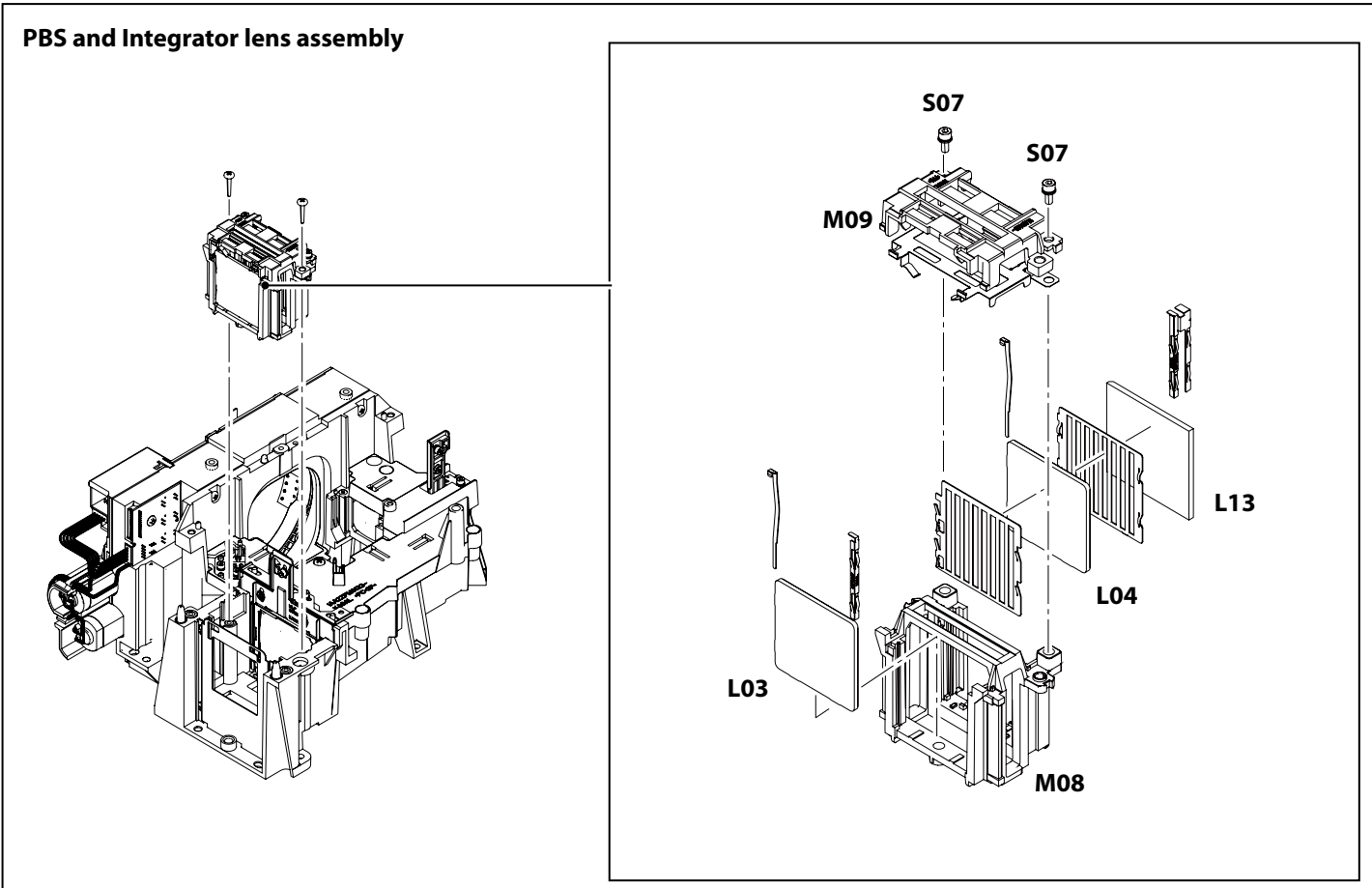
LCD Panel/Prism assembly



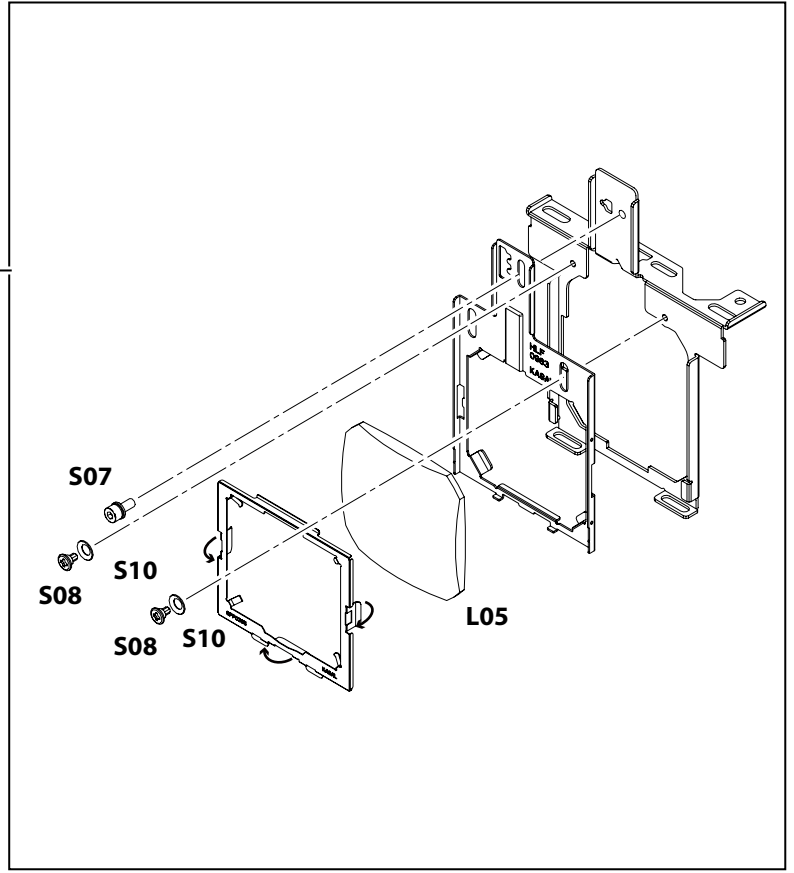
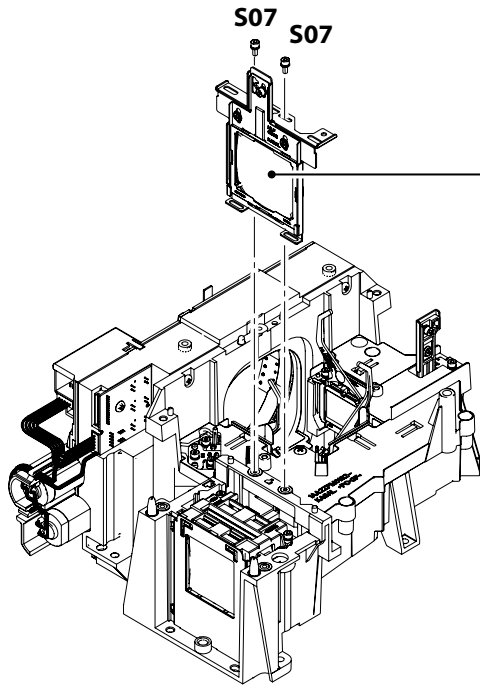
Polarized glasses (in) assembly



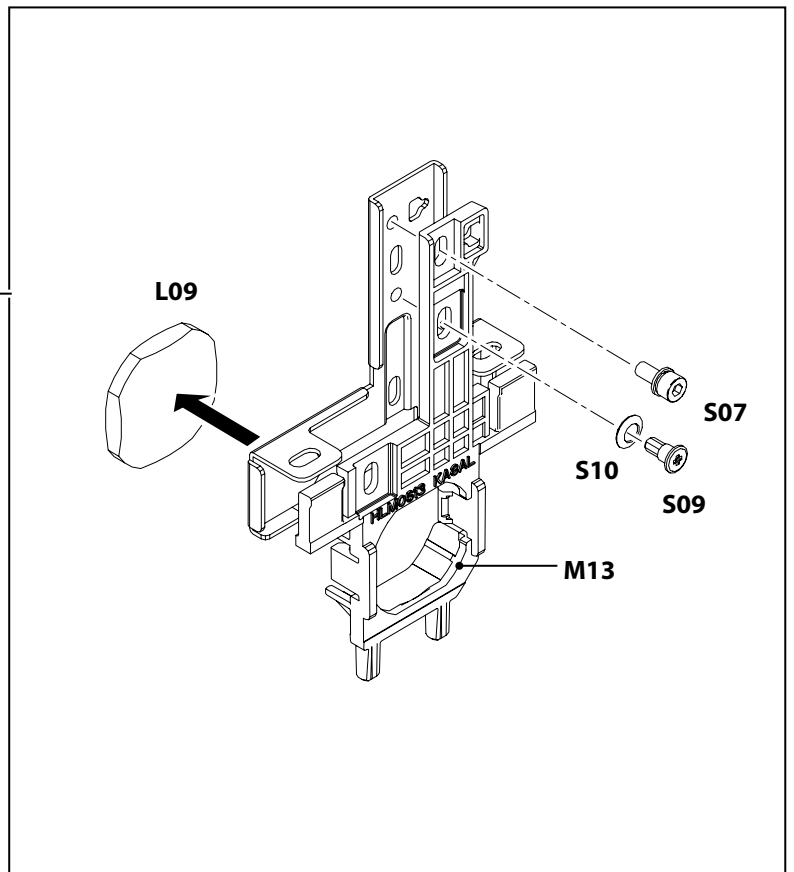
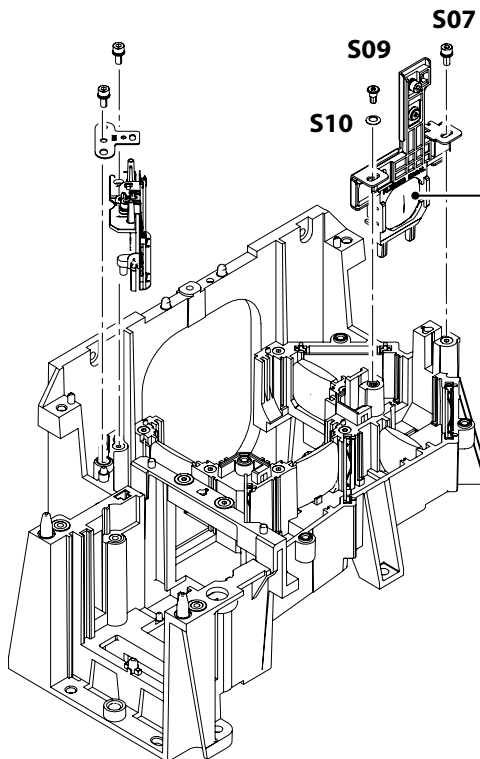
PBS and Integrator lens assembly



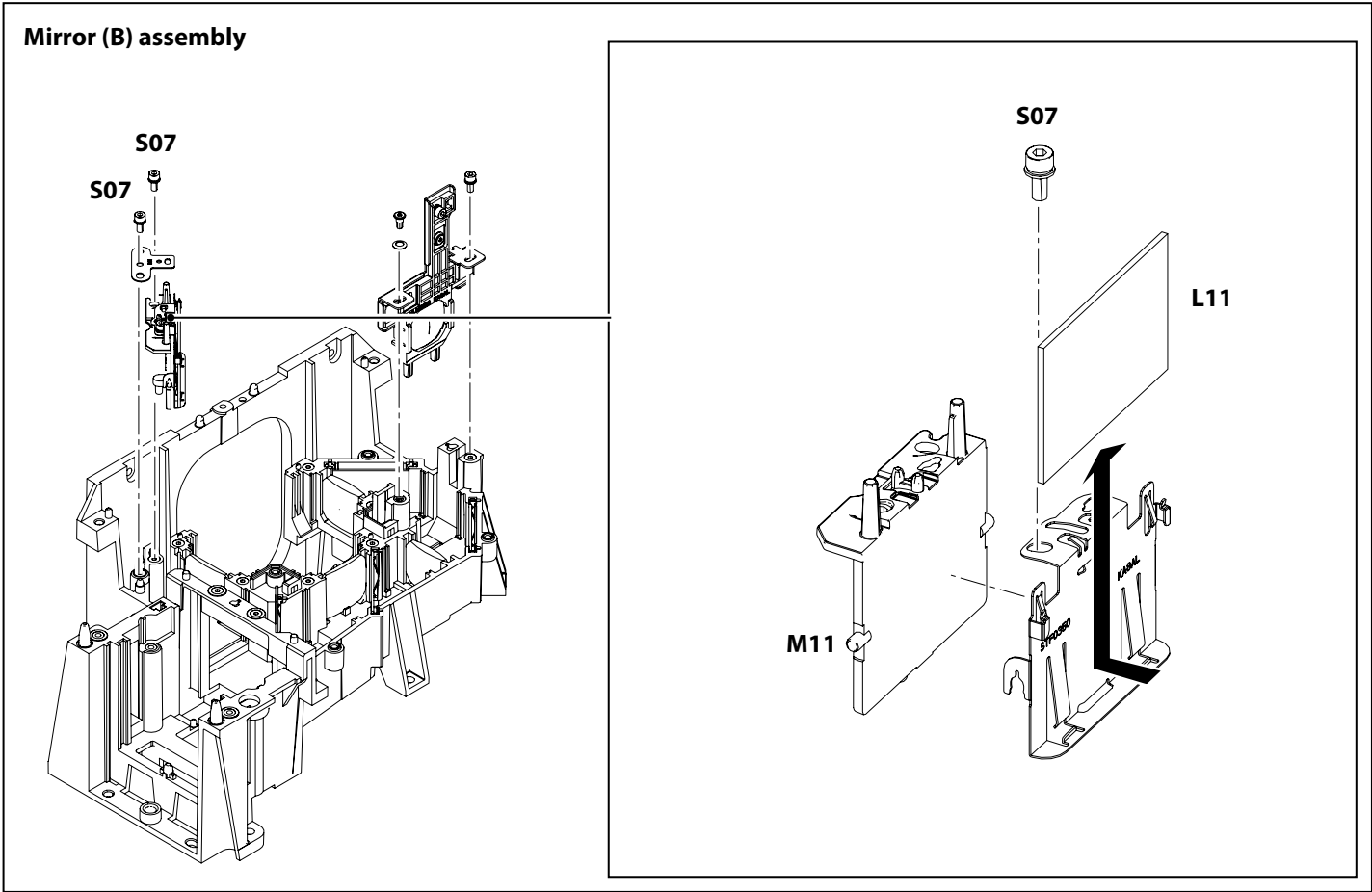
Condenser lens assembly



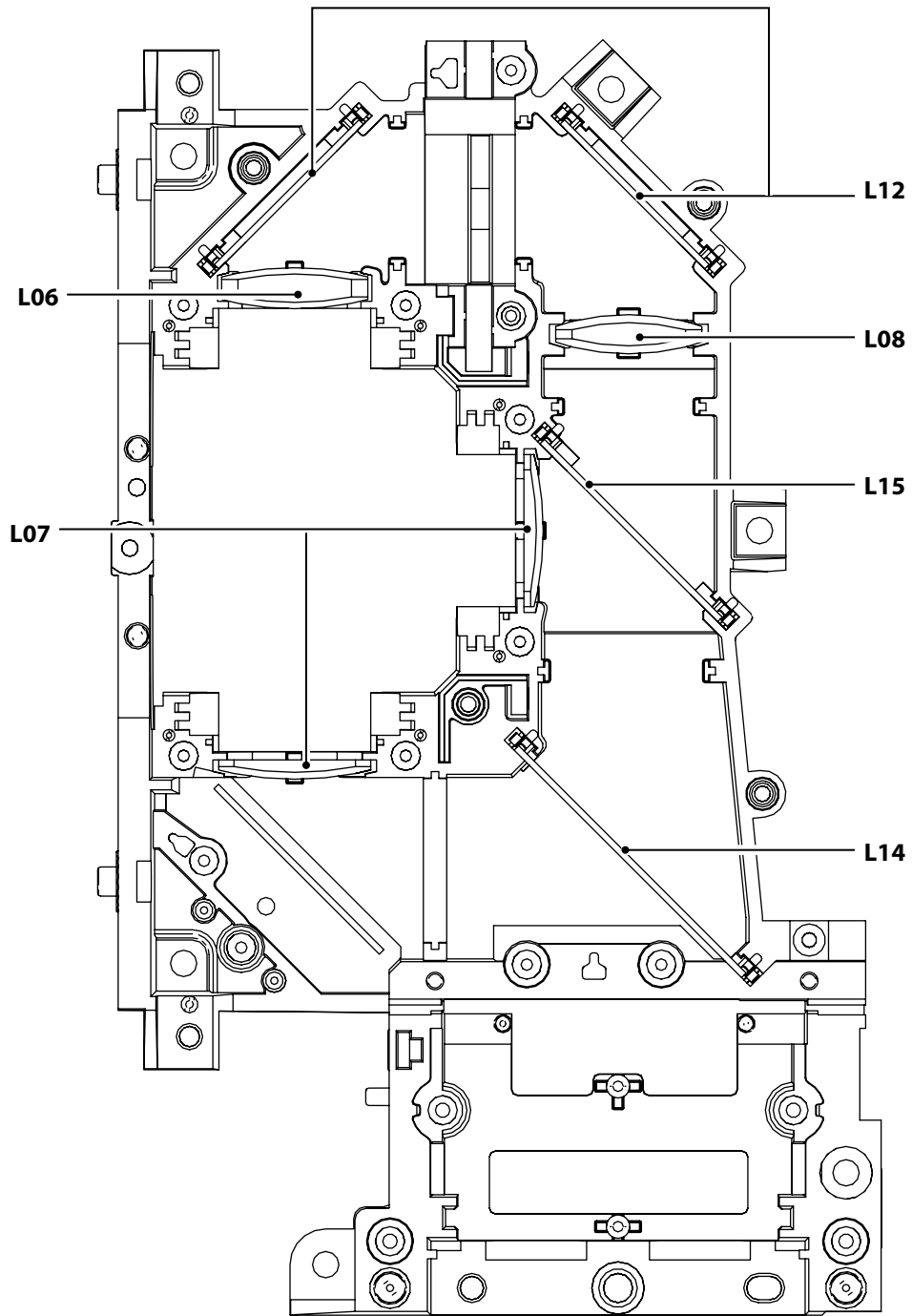
Relay lens (In) assembly



Mirror (B) assembly



● In the optical unit



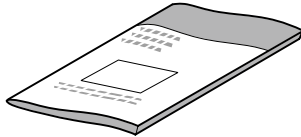
CAUTION:
Part must be placed in specified direction when replacing the optical parts. Please see "Optical Parts Disassembly" for further instructions.

● **Accessories (see accessories parts list)**

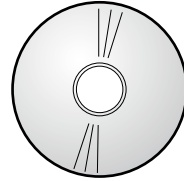
REMOTE CONTROL



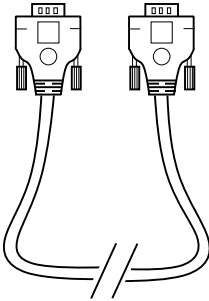
MANUALs



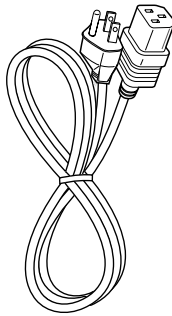
CD-ROMs



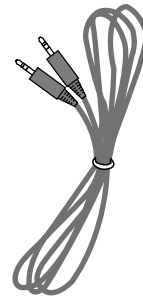
VGA CABLE



AC CORD



WIRED RC CABLE



S11 ANTI-THEFT SCREW



Mechanical Parts List

KK8-WXL20000

Note: Parts order must contain Chassis No., Part No., and Descriptions.

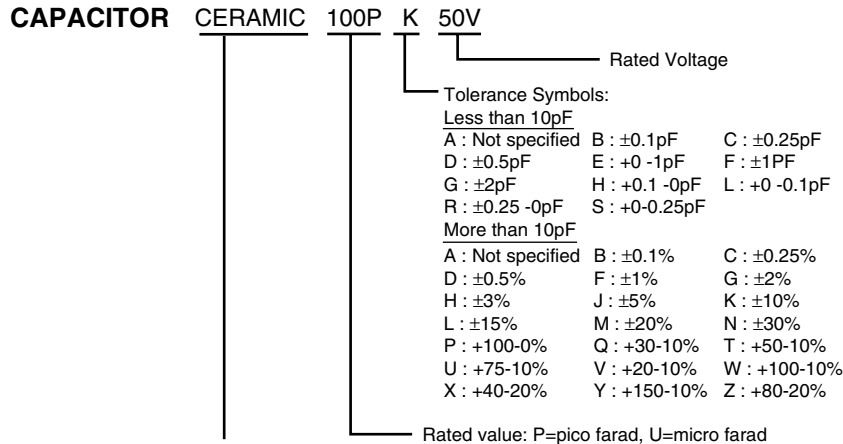
Key No.	Part No.	Description	Key No.	Part No.	Description
PACKING MATERIALS			M03	610 346 8914	COMPL MTG SHUT-KA8AL
	610 347 9286	SPACER LNS PACKING-KA8AL	M04	610 349 3336	COVER LNS TOP SRV-KA8AL
	610 350 1772	CARTON CASE-KK8B	M05	610 349 3275	COVER LNS BTM SRV-KA8AL
	610 346 9249	POLY BAG	M06	610 346 9164	GEAR MOTOR-KA8AL
	610 350 9730	CASE ACCESSORY-KW8AL	M07	610 346 9171	GEAR FILTER UNIT-KA8AL
	610 346 9287	CUSHION TOP	M08	610 346 3063	HOLDER INT PBS BTM-KA8AL
	610 346 9263	CUSHION BTM-KA8AL	M09	610 346 3070	HOLDER INT PBS TOP-KA8AL
ACCESSORIES			M10	610 353 1779	HOLDER LMP HOUSE(A)-KA8AL
OWNERS MANUAL			M11	610 346 8334	HOLDER MIRROR B-KA8AL
	610 348 9162	CD-ROM(PJ NW MANAGER)	M12	610 346 8341	HOLDER LMP FAN-KA8AL
	610 350 3936	CD-ROM,OWNERS MANUAL-KK8B	M13	610 346 8365	HOLDER LNS RELAY-KA8AL
	655 003 7305	SETUP INST-KK8BL	M14	610 346 8396	HOLDER POL IN
REMOTE CONTROL			M15	610 346 8419	HOLDER POL IN F
	645 103 0207	ASSY,REMOCON MXAR	M16	610 349 3305	HLD FILTER UNIT SRV-KA8AL
	610 335 0530	RC-BATTERY LID-CXWP	M17	610 347 0849	HOLDER LMP FN TOP-KA8AL
AC CORD			M18	610 349 3329	MTG DUCT PNL TOP SRV-KA8AL
△US	945 064 6363	CORD,POWER-3.0MK,US	M19	610 349 3312	MTG DUCT PNL BTM SRV-KA8AL
△EU	945 054 1156	CORD,POWER-3.0MK	M20	610 346 8662	MTG DUCT PNL C-KA8AL
△UK	945 054 1149	CORD,POWER-3.138MK	M21	610 349 3343	MTG MOTOR SRV-KA8AL
MISCELLANEOUS			M22	610 346 9140	MTG GEAR-KA8AL
	945 069 2155	CABLE,FXAF	M23	610 352 2807	MTG FILTER UNIT(A)-KA8AL
	945 073 4855	CABLE,INTERFACE VGA	M24	610 347 0467	MTG SPK-KA8AL
	645 093 1642	CABLE,INTERFACE VGA	M25	610 347 4212	MTG DUCT PBS-KA8AL
	652 002 9552	CABLE,INTERFACE VGA	M26	610 346 8976	SPC SHT POW BTM-KA8AL
S11	411 219 5500	BOLT HEX-SCT 3X11	M27	610 346 8983	SPC SHT POW FAN-KA8AL
CABINET PARTS			M28	610 346 8990	SPC SHT BALLAST-KA8AL
C01	610 348 3788	ASSY STAND LEG-KA8B	M29	610 346 9003	SPC SHT HLD POW A-KA8AL
C02	610 347 5011	BUTTON CONTROL-KA8B	M30	610 346 9010	SPC SHT HLD POW B-KA8AL
C03	610 348 3771	BUTTON LNS REL-KA8B	M31	610 348 4495	SPC_HLD MAIN PWB-KA8AL
C04	610 352 3347	CAB TOP SRV-KK8B	M32	610 347 9262	SPACER SPK BOSS-KA8AL
C04-1	610 346 8211	DEC INLAY LED-KA8AL	M33	610 348 4525	SHD LMP SW-KA8AL
C05	610 352 3460	CAB BTM SRC-KA8B	M34	610 346 3056	OPTICAL BASE BTM-KA8AL
C05-1	610 342 0189	BADGE EIKI-KL7BC	M35	610 346 8631	OPT BASE TOP-KA8AL
C06	610 347 5035	COVER PRSM-KA8B	SCREWS		
C07	610 352 2531	COVER LAMP-KA8B	S01	411 219 8501	SCR OVL 3X8
C08	610 347 5066	COVER CAB BACK-KA8B	S02	411 189 8600	SCR BIN 3X8
C09	610 347 5042	COVER FILTER-KA8B	S03	411 219 5104	SCR FLT 5X10
C10	610 349 3404	COVER HDL SRV-KA8	S04	412 079 6201	SPECIAL SCREW
C11	610 346 8303	COVER WITHOUT LNS-KA8AL	S05	412 079 6300	SPECIAL SCREW
C12	610 346 8235	DEC INLAY RC-KA8AL	S06	412 079 3408	SPECIAL SCREW V
C13	610 347 5097	DEC RING CAB BTM-KA8B	S07	412 077 8108	SPECIAL SCREW-2.5X6
C14	610 346 8495	DEC LEG-KA8AL	S08	312 070 3509	SPECIAL SCREW V
C15	610 352 2876	DEC AV SHEET-KK8B	S09	412 079 4504	SPECIAL SCREW FINE 2.5X6
C16	610 346 8327	HLD BUTTON LNS-KA8AL	S10	312 062 5504	SPECIAL WASHER
C17	610 346 8501	MOUNT LOCK-KA8AL	OPTICAL PARTS		
C18	610 350 2984	PNL AV-KK8B	L01L*	610 350 4032	ASSY,PNL/PRISM L-KK8AL
C19	610 346 8549	SPRING BUTTON LNS-KA8AL	L01R*	610 350 4063	ASSY,PNL/PRISM R-KK8AL
C20	610 352 5730	CAP LENS(A)-KA8AL	L02-R	645 101 6034	POLARIZED GLASS(IN/R)
CHASSIS PARTS			L02-G	645 101 6041	POLARIZED GLASS(IN/G)
M01	610 346 9034	ASSY,FILTER BOX	L02-B	645 103 0672	POLARIZED GLASS(IN/B)
M02	610 352 3415	COMPL MTG LNS-KK8A	L03	645 102 7047	LENS,INTEGRATOR(IN)
	610 352 3408	COMPL MTG LNS-KH2A	L04	645 102 7054	LENS,INTEGRATOR(OUT)
			L05	645 101 1596	LENS,CONDENSER(OUT)
			L06	645 101 1602	LENS,CONDENSER(R)
			L07	645 101 1619	LENS,CONDENSER(G)
			L08	645 101 1626	LENS,RELAY(IN)
				645 102 5630	LENS,RELAY(IN)
			L09	645 101 1633	LENS,RELAY(OUT)
			L10	645 101 6553	LENS,PROJECTION-MOUNT

Key No.	Part No.	Description	Key No.	Part No.	Description
L11	645 101 8113	MIRROR(B)			
L12	645 101 8120	MIRROR(R)			
L13	645 101 8106	PRISM(PBS)			
L14	645 101 6027	DICHROIC MIRROR (B)			
L15	645 101 8137	DICHROIC MIRROR (G)			
L16	645 101 1053	ASSY,LENS,PROJECTION			
<p>* There are 2 type of LCD Panel/Prism Assy. Check which type of LCD Panel/Prism Assy is used. How to check the type, see the item "Optical Parts Disassembly".</p>					
<p>SERVICE TOOLS</p>					
	610 343 5596	CD-ROM,PJ SVC TOOL V420			

Product safety should be considered when a component replacement is made in any area of a projector. Components indicated by a Δ mark in this parts list and the circuit diagram show components whose value have special significance to product safety. It is particularly recommended that only parts specified on the following parts list be used for components replacement pointed out by the mark.

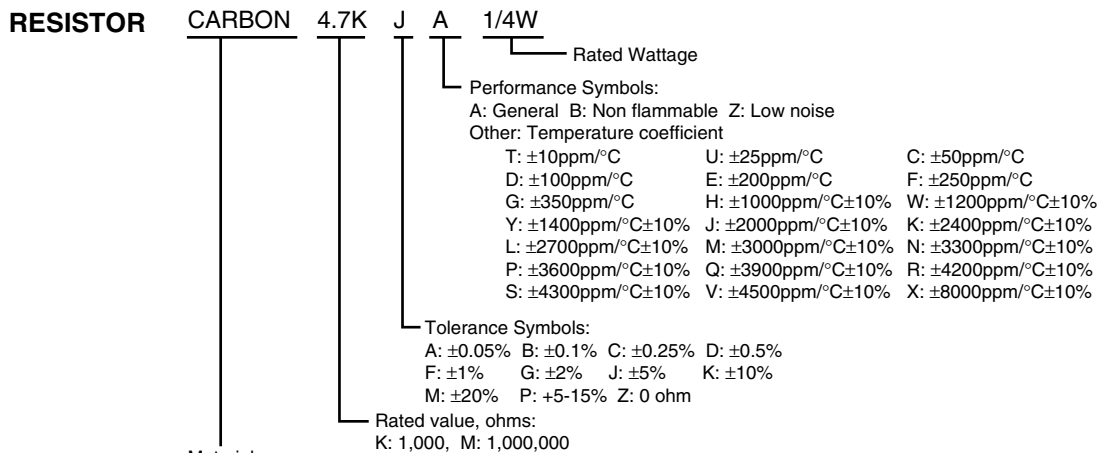
● Read Description in the parts list

Read description in the Capacitor and Resistor as follows:



Material:

- CERAMIC..... Ceramic
- MT-PAPER..... Metallized Paper
- POLYESTER..... Polyester
- MT-POLYEST..... Metallized Polyester
- POLYPRO..... Polypropylene
- MT-POLYPRO..... Metallized Polypropylene
- COMPO FILM..... Composite film
- MT-COMPO..... Metallized Composite
- STYRENE..... Styrene
- TA-SOLID..... Tantalum Oxide Solid Electrolytic
- AL-SOLID..... Aluminium Solid Electrolytic
- ELECT..... Aluminum Foil Electrolytic
- NP-ELECT..... Non-polarised Electrolytic
- OS-SOLID..... Aluminium Solid with Organic Semiconductive Electrolytic
- POS-SOLID..... Polymerized Organic Semiconductive
- DL-ELECT..... Double Layered Electrolytic
- PPS-FILM..... Polyphenylene Sulfide Film
- MT-PPS-FILM..... Metalized Polyphenylene Sulfide Film
- MT-PEN-FILM..... Metalized Polyethylenenaphthalate Film
- CAPACITOR..... Other



Material:

- CARBON..... Carbon
- MT-FILM..... Metal Film
- OXIDE-MT..... Oxide Metal Film
- SOLID..... Composition
- MT-GLAZE..... Metal Glaze
- WIRE WOUND... Wire Wound
- CERAMIC RES.. Ceramic
- FUSIBLE RES.... Fusible
- RESISTOR Other

Key No. Part No.	Description	Key No. Part No.	Description
ASSEMBLED BOARDS			
△AA600	655 003 8036	ASSY,PWB,POWER KK8A	
△A1600	655 003 7916	ASSY,PWB,SENSOR C KK8A	
△A1800	655 003 7909	ASSY,PWB,SENSOR A KK8A	
△A1880	655 003 8081	ASSY,PWB,AMF SENSOR KK8A	
△A1890	655 003 8074	ASSY,PWB,FILTER SW KK8A	
△A8730	655 003 8067	ASSY,PWB,ID CONNECT KK8A	
△A1000	655 003 9859	ASSY,PWB,MAIN KK8B	
△A2000	655 003 9699	ASSY,PWB,A/V KK8A	
△A3600	655 003 9682	ASSY,PWB,NET JOINT KK8A	
△A6800	655 003 9675	ASSY,PWB,F/T RC+LED KK8A	
△A6870	655 003 9668	ASSY,PWB,CONTROL KK8A	
OUT OF CIRCUIT BOARD			
L901	945 033 2228	CORE,FERRITE	
L902	645 063 6905	CORE,CLAMP	
L903	945 023 4959	CORE,CLAMP	
L904	945 003 3835	CORE,FERRITE	
△LP900	610 346 9607	COMPL,OPT LMP-KA8AL	
△A901	645 093 0980	UNIT,BALLAST	
△FN901	645 101 9752	MOTOR,FAN DC 2.16W	
△FN902	645 101 9745	MOTOR,BLW DC 3.36W	
△FN903	645 101 9707	MOTOR,BLW DC 3.36W	
△FN904	645 101 9738	MOTOR,BLW DC 3.36W	
△FN905	645 101 9769	MOTOR,FAN DC 2.52W	
△FN906	645 101 9721	MOTOR,BLW DC 3.36W	
△FN907	645 101 9714	MOTOR,BLW DC 3.36W	
△FN908	645 101 9714	MOTOR,BLW DC 3.36W	
△FN909	645 101 9691	MOTOR,BLW DC 3.36W	
△FN910	645 101 9684	MOTOR,BLW DC 3.36W	
△FN911	645 101 9684	MOTOR,BLW DC 3.36W	
K11A1	312 073 0406	SPECIAL SCREW	
K11A2	312 073 0406	SPECIAL SCREW	
K14A1	312 073 0406	SPECIAL SCREW	
K14A2	312 073 0406	SPECIAL SCREW	
K38A1	312 073 0406	SPECIAL SCREW	
K38A2	312 073 0406	SPECIAL SCREW	
M901	645 093 2571	MOTOR,DC 12V	
S901	645 093 2533	UNIT,WIND VELOCITY SENSOR	
	645 103 4106	UNIT,WIND VELOCITY SENSOR	
SP901	652 002 6445	SPEAKER,8	
△Z6B&SW	652 003 0961	ASSY,WIRE (SW902)	
Z8B&SW	652 003 0862	ASSY,WIRE (SW901)	
AA600 655 003 8036	ASSY,PWB,POWER KK8A		
TRANSISTOR			
Q601	405 218 6002	TR 2SK3934 LBS1	
Q604	405 218 6002	TR 2SK3934 LBS1	
Q612	305 014 4512	TR 2SC2412K T146 R	
	305 014 4611	TR 2SC2412K T146 S	
	305 015 8727	TR 2SC2812-L6-TB	
	305 015 8925	TR 2SC2812-L7-TB	
	305 163 1615	TR 2SC2812N-L6-TB0	
	305 173 9816	TR 2SC3928A1R	
	305 173 9915	TR 2SC3928A1S	
INTEGRATED CIRCUIT			
IC601	309 523 1413	IC FA5502M	
IC603	409 700 8703	IC STR-A6079	
IC651	309 558 4202	IC STR-Z2156A	
IC681	409 692 2515	IC TA76L431FB	
CAPACITOR			
△C601	304 088 8805	MT-POLYEST	0.22U M 275V
	305 173 9816	TR 2SC3928A1R	
	305 173 9915	TR 2SC3928A1S	
Q613	305 134 5928	TR 2SA1037AK-T146-R	
	305 147 2218	TR 2SA1037AK-S-T146	
	305 173 9618	TR 2SA1235A1E	
	305 173 9717	TR 2SA1235A1F	
	405 220 3115	TR ISA1235AC1E	
	405 220 3016	TR ISA1235AC1F	
Q621	305 014 4512	TR 2SC2412K T146 R	
	305 014 4611	TR 2SC2412K T146 S	
	305 015 8727	TR 2SC2812-L6-TB	
	305 015 8925	TR 2SC2812-L7-TB	
	305 163 1615	TR 2SC2812N-L6-TB0	
	305 173 9816	TR 2SC3928A1R	
	305 173 9915	TR 2SC3928A1S	
Q622	305 134 5928	TR 2SA1037AK-T146-R	
	305 147 2218	TR 2SA1037AK-S-T146	
	305 173 9618	TR 2SA1235A1E	
	305 173 9717	TR 2SA1235A1F	
	405 220 3115	TR ISA1235AC1E	
	405 220 3016	TR ISA1235AC1F	
Q651	305 134 5928	TR 2SA1037AK-T146-R	
	305 147 2218	TR 2SA1037AK-S-T146	
	305 173 9618	TR 2SA1235A1E	
	305 173 9717	TR 2SA1235A1F	
	405 220 3115	TR ISA1235AC1E	
	405 220 3016	TR ISA1235AC1F	
Q652	305 014 4512	TR 2SC2412K T146 R	
	305 014 4611	TR 2SC2412K T146 S	
	305 015 8727	TR 2SC2812-L6-TB	
	305 015 8925	TR 2SC2812-L7-TB	
	305 163 1615	TR 2SC2812N-L6-TB0	
	305 173 9816	TR 2SC3928A1R	
	305 173 9915	TR 2SC3928A1S	
Q681	305 014 4512	TR 2SC2412K T146 R	
	305 014 4611	TR 2SC2412K T146 S	
	305 015 8727	TR 2SC2812-L6-TB	
	305 015 8925	TR 2SC2812-L7-TB	
	305 163 1615	TR 2SC2812N-L6-TB0	
	305 173 9816	TR 2SC3928A1R	
	305 173 9915	TR 2SC3928A1S	
Q682	305 014 4512	TR 2SC2412K T146 R	
	305 014 4611	TR 2SC2412K T146 S	
	305 015 8727	TR 2SC2812-L6-TB	
	305 015 8925	TR 2SC2812-L7-TB	
	305 163 1615	TR 2SC2812N-L6-TB0	
	305 173 9816	TR 2SC3928A1R	
	305 173 9915	TR 2SC3928A1S	

Key No.	Part No.	Description	Key No.	Part No.	Description
	304 094 1807	MT-POLYEST 0.22U K 275V	C683	303 445 3903	ELECT 3900U M 10V
△C602	304 088 8805	MT-POLYEST 0.22U M 275V	C684	303 342 3313	CERAMIC 0.1U K 25V
	304 094 1807	MT-POLYEST 0.22U K 275V	C685	303 399 2126	ELECT 220U M 16V
△C603	304 073 5109	CERAMIC 470P K 250V	C686	303 348 5826	CERAMIC 0.47U K 10V
△C604	304 073 5109	CERAMIC 470P K 250V	C688	303 342 3313	CERAMIC 0.1U K 25V
△C605	304 088 8805	MT-POLYEST 0.22U M 275V	C691	303 337 9511	CERAMIC 0.15U K 10V
	304 094 1807	MT-POLYEST 0.22U K 275V	C692	403 455 1418	CERAMIC 2.2U K 16V
△C606	304 073 4508	CERAMIC 2200P K 250V	△C693	304 073 4508	CERAMIC 2200P K 250V
△C607	303 371 8518	MT-POLYEST 1U K 400V			
△C608	303 222 1316	CERAMIC 1000P K 1K	RESISTOR		
△C609	303 222 1316	CERAMIC 1000P K 1K	△R600	301 242 3914	MT-GLAZE 240K JA 1/2W
△C610	304 073 4508	CERAMIC 2200P K 250V	△R601	301 242 3914	MT-GLAZE 240K JA 1/2W
△C611	303 371 8518	MT-POLYEST 1U K 400V	△R602	301 242 3914	MT-GLAZE 240K JA 1/2W
C613	303 410 7113	ELECT 100U M 25V	△R603	301 242 3914	MT-GLAZE 240K JA 1/2W
C614	303 410 7113	ELECT 100U M 25V	△R604	301 258 8217	MT-GLAZE 680 JA 1/3W
C616	304 088 2605	ELECT 390U M 450V	R606	302 080 8809	MT-GLAZE 680 KA 1W
	304 093 9606	ELECT 390U M 450V	R611	301 287 5713	MT-GLAZE 220K JA 1W
C618	303 427 1814	MT-POLYEST 0.1U K 450V	R612	301 256 2613	MT-GLAZE 2.4K JA 1/10W
C619	303 298 9612	CERAMIC 0.1U K 16V	R613	302 106 5508	RESISTER 0.075 KB 5W
C621	303 205 2811	CERAMIC 0.047U K 25V	R614	402 109 8206	RESISTER 0.15 JB 5W
C622	303 157 6417	CERAMIC 330P K 50V	R618	301 162 3711	MT-GLAZE 4.7K JA 1/10W
C623	303 215 2214	CERAMIC 0.01U K 50V	R619	301 150 6014	MT-GLAZE 0.000 ZA 1/10W
C624	303 342 3313	CERAMIC 0.1U K 25V	R621	301 255 8715	MT-GLAZE 22 JA 1/10W
C625	303 394 5815	CERAMIC 4.7U K 16V	R622	301 264 9413	MT-GLAZE 33K FA 1/10W
C627	303 342 3313	CERAMIC 0.1U K 25V	R623	301 234 8118	MT-GLAZE 4.7 JA 1W
C628	303 157 3317	CERAMIC 68P J 50V	R624	301 255 6513	MT-GLAZE 100 JA 1/10W
C629	303 157 6615	CERAMIC 470P K 50V	R626	301 152 3219	MT-GLAZE 330 JA 1/10W
C630	303 342 3313	CERAMIC 0.1U K 25V	R627	301 265 0914	MT-GLAZE 4.7 JA 1/10W
C631	303 298 9612	CERAMIC 0.1U K 16V	R628	301 255 6513	MT-GLAZE 100 JA 1/10W
C632	303 342 3313	CERAMIC 0.1U K 25V	R630	301 150 6014	MT-GLAZE 0.000 ZA 1/10W
C633	303 342 3313	CERAMIC 0.1U K 25V	R631	301 150 5918	MT-GLAZE 10K JA 1/10W
C635	303 409 9913	ELECT 470U M 16V	R632	301 150 6410	MT-GLAZE 4.3K JA 1/10W
C636	303 427 1814	MT-POLYEST 0.1U K 450V	R633	301 162 3810	MT-GLAZE 470K JA 1/10W
C637	403 477 6514	MT-POLYEST 0.01U J 630V	R634	301 256 5812	MT-GLAZE 270K JA 1/10W
C640	304 097 3105	ELECT 22 U M 50V	R635	301 255 6513	MT-GLAZE 100 JA 1/10W
C641	303 215 2214	CERAMIC 0.01U K 50V	R636	301 152 3110	MT-GLAZE 620 JA 1/10W
C642	404 122 5002	ELECT 15U M 450V	R637	301 150 6014	MT-GLAZE 0.000 ZA 1/10W
C650	303 342 3313	CERAMIC 0.1U K 25V	R638	301 259 9015	MT-GLAZE 150K FA 1/2W
C651	303 268 7013	TA-SOLID 2.2U M 35V	R639	301 259 9015	MT-GLAZE 150K FA 1/2W
C652	403 366 2917	CERAMIC 0.22U K 50V	R640	301 265 0914	MT-GLAZE 4.7 JA 1/10W
C653	303 113 3818	CERAMIC 1000P K 50V	R641	301 259 9015	MT-GLAZE 150K FA 1/2W
C654	303 247 3309	CERAMIC 330P K 2K	R642	301 259 9015	MT-GLAZE 150K FA 1/2W
C656	303 342 3313	CERAMIC 0.1U K 25V	R644	301 225 5614	MT-GLAZE 2.2 JA 1W
C657	303 218 8827	CERAMIC 220P K 2K	R647	301 256 6611	MT-GLAZE 68K JA 1/10W
C658	303 083 4310	POLYPRO 0.022U J 400V	R648	301 162 2417	MT-GLAZE 1.2K JA 1/10W
C659	303 157 6813	CERAMIC 680P K 50V	R649	301 255 9514	MT-GLAZE 220K JA 1/10W
C660	303 427 1814	MT-POLYEST 0.1U K 450V	R650	301 255 8517	MT-GLAZE 9.1K JA 1/10W
C661	303 208 1415	TA-SOLID 1U M 25V	R653	301 275 2915	MT-GLAZE 68K JA 1W
	303 411 5712	TA-SOLID 1U M 25V	R654	301 275 2915	MT-GLAZE 68K JA 1W
C662	303 411 1823	ELECT 220U M 35V	R655	301 162 4015	MT-GLAZE 560 JA 1/10W
C663	303 342 3313	CERAMIC 0.1U K 25V	R656	301 275 2915	MT-GLAZE 68K JA 1W
C664	303 281 2415	CERAMIC 0.22U K 16V	R657	301 275 2915	MT-GLAZE 68K JA 1W
	303 364 5913	CERAMIC 0.22U K 16V	△R658	302 081 2905	FUSIBLE RES 22 JH 1/2W
C680	303 370 9110	CERAMIC 0.068U K 50V	R659	301 238 4512	MT-GLAZE 47 JA 1/3W
C681	303 410 7509	ELECT 4700U M 25V	△R660	302 081 2905	FUSIBLE RES 22 JH 1/2W
C682	303 342 3313	CERAMIC 0.1U K 25V	△R661	324 006 1305	FUSE 250V 2.5A

Key No. Part No.		Description	Key No. Part No.		Description
R670	301 162 3711	MT-GLAZE 4.7K JA 1/10W	D604E	645 098 1715	CORE,FERRITE
R671	301 150 6212	MT-GLAZE 1K JA 1/10W	D606	307 163 0414	DIODE 1SS352-(TPH3)
R672	301 257 7419	MT-GLAZE 120 JA 1/3W		307 149 0810	DIODE 1SS355-TE-17
R673	301 162 3711	MT-GLAZE 4.7K JA 1/10W		408 062 7201	DIODE 1SS35
R674	301 256 2613	MT-GLAZE 2.4K JA 1/10W	D607	307 163 0414	DIODE 1SS352-(TPH3)
R679	301 264 4715	MT-GLAZE 1.8K FA 1/10W		307 149 0810	DIODE 1SS355-TE-17
R680	301 150 6212	MT-GLAZE 1K JA 1/10W		408 062 7201	DIODE 1SS35
R681	301 150 5918	MT-GLAZE 10K JA 1/10W	D608	307 163 0414	DIODE 1SS352-(TPH3)
R682	301 256 6215	MT-GLAZE 270 JA 1/10W		307 149 0810	DIODE 1SS355-TE-17
R683	301 150 6212	MT-GLAZE 1K JA 1/10W		408 062 7201	DIODE 1SS35
R684	301 150 5918	MT-GLAZE 10K JA 1/10W	D609	307 163 0414	DIODE 1SS352-(TPH3)
R685	301 162 3711	MT-GLAZE 4.7K JA 1/10W		307 149 0810	DIODE 1SS355-TE-17
R686	301 162 3414	MT-GLAZE 39K JA 1/10W		408 062 7201	DIODE 1SS35
R687	301 265 2611	MT-GLAZE 5.1K FA 1/10W	D613	307 247 8827	DIODE RF101L2S
R688	301 150 5918	MT-GLAZE 10K JA 1/10W	D614	307 247 8827	DIODE RF101L2S
R689	301 150 6212	MT-GLAZE 1K JA 1/10W	D615	307 163 0414	DIODE 1SS352-(TPH3)
R690	301 150 6212	MT-GLAZE 1K JA 1/10W		307 149 0810	DIODE 1SS355-TE-17
R691	301 256 7311	MT-GLAZE 6.8K JA 1/10W		408 062 7201	DIODE 1SS35
R692	301 150 6212	MT-GLAZE 1K JA 1/10W	D616	307 247 8827	DIODE RF101L2S
R693	301 150 5918	MT-GLAZE 10K JA 1/10W	D617	307 146 8116	DIODE EG01C
R694	301 162 3711	MT-GLAZE 4.7K JA 1/10W	D618	307 007 7725	DIODE EU2AV0
R695	301 256 7311	MT-GLAZE 6.8K JA 1/10W	D621	307 007 7725	DIODE EU2AV0
R696	301 256 6918	MT-GLAZE 680 JA 1/10W	D651	307 247 8827	DIODE RF101L2S
R697	301 150 6212	MT-GLAZE 1K JA 1/10W	D652	407 256 3213	DIODE CRF03(TE85L)
R699	301 238 4215	MT-GLAZE 1.5K JA 1/3W	D653	307 223 0514	ZENER DIODE 02DZ12Y(TPH3)
△RL601	645 101 0544	RELAY		307 221 7119	ZENER DIODE UDZS-TE-1712B
				408 063 1802	ZENER DIODE MM3Z12B
VARIABLE RESISTOR			D654	307 163 0414	DIODE 1SS352-(TPH3)
△VA601	408 066 1700	VD TND14SE471KB0SLAA0		307 149 0810	DIODE 1SS355-TE-17
VR601	945 025 7415	VR,SEMI,1K S		408 062 7201	DIODE 1SS35
TRANSFORMER			D681	307 202 9801	DIODE FMB-26L
T601	645 089 2561	INDUCTOR,700U		307 253 7504	DIODE RB085T-60
△T651	945 085 7035	TRANS,POWER,PULSE	D682	307 202 9801	DIODE FMB-26L
△T652	652 003 0572	TRANS,POWER,PULSE		307 253 7504	DIODE RB085T-60
COIL			D683	307 247 8827	DIODE RF101L2S
△L601	945 061 3990	LINE FILTER	D686	307 254 2914	ZENER DIODE 02DZ6.8Y(TPH3)
	652 003 1913	LINE FILTER		307 209 4512	ZD UDZS-TE-176.8B
△L602	945 061 3990	LINE FILTER		408 063 1703	ZENER DIODE MM3Z6V8B
	652 003 1913	LINE FILTER	D687	307 210 5416	DIODE RB551V-30-TE-17
△L603	945 081 4878	LINE FILTER	DB601	307 143 6006	DIODE RBV-1506
L611	645 089 2677	FILTER,EMI 1500PF		308 045 4909	DIODE RBV-1506 LF-B
L614	645 089 2677	FILTER,EMI 1500PF	DS601	307 219 0808	THYRISTOR TF861S
L615	645 089 2677	FILTER,EMI 1500PF	DS602	409 692 2515	IC TA76L431FB
L616	645 089 2677	FILTER,EMI 1500PF			
△LF601	645 093 1765	SOCKET,INLET AC 3P	MISCELLANEOUS		
DIODE			△F601	323 027 2605	FUSE 250V 10A
D601	307 247 8827	DIODE RF101L2S	FB601	910 229 3532	CORE
D6010	307 164 4015	DIODE RB160L-40-TE25	FB602	910 229 3532	CORE
	307 149 6327	DIODE SFPB-54V	FB605	910 229 3532	CORE
D603	307 164 4015	DIODE RB160L-40-TE25	FB609	910 229 3532	CORE
	307 149 6327	DIODE SFPB-54V	Q601C	645 098 1715	CORE,FERRITE
D604	307 253 7405	DIODE FMXA-1106S	△PC601	307 223 7315	PC TLP421F(D4-GB-TP4)
D604D	645 098 1715	CORE,FERRITE		307 223 8312	PC TLP421F(D4-GR-TP4)
				407 265 7813	PC TLP781F(D4-GB-TP7)
			△PC602	307 223 7315	PC TLP421F(D4-GB-TP4)
				307 223 8312	PC TLP421F(D4-GR-TP4)

Key No.	Part No.	Description	Key No.	Part No.	Description			
△PC603	407 265 7813	PC TLP781F(D4-GB-TP7)	A1000	655 003 9859	ASSY,PWB,MAIN KK8B			
	307 223 7315	PC TLP421F(D4-GB-TP4)						
	307 223 8312	PC TLP421F(D4-GR-TP4)						
	407 265 7813	PC TLP781F(D4-GB-TP7)						
PTH601	308 037 4603	THERMISTOR NTPDB8R0LD7B0						
PTH652	308 061 3900	TH PRF18BC471QB1RB						
A1600 655 003 7916 ASSY,PWB,SENSOR C KK8A						TRANSISTOR		
CAPACITOR						Q036	406 021 7804	TR 2SC4617
C1814	303 453 8917	CERAMIC 0.1U K 16V				Q1001	305 217 4913	TR RN1111 TE85L
	303 453 8610	CERAMIC 0.1U K 16V				Q1002	305 217 4913	TR RN1111 TE85L
	303 409 3426	CERAMIC 0.1U K 16V				Q1003	305 217 4913	TR RN1111 TE85L
RESISTOR						Q1004	406 021 7804	TR 2SC4617
R1825	301 226 1516	MT-GLAZE 0.000 ZA 1/16W				Q1008	406 021 7804	TR 2SC4617
R1826	301 226 1516	MT-GLAZE 0.000 ZA 1/16W				Q1009	305 134 5928	TR 2SA1037AK-T146-R
A1800 655 003 7909 ASSY,PWB,SENSOR A KK8A							305 147 2218	TR 2SA1037AK-S-T146
CAPACITOR							305 173 9618	TR 2SA1235A1E
C1691	303 281 2415	CERAMIC 0.22U K 16V					305 173 9717	TR 2SA1235A1F
	303 364 5913	CERAMIC 0.22U K 16V					405 220 3115	TR ISA1235AC1E
RESISTOR							405 220 3016	TR ISA1235AC1F
R1691	301 224 8814	MT-GLAZE 100 JA 1/16W				Q1011	305 134 5928	TR 2SA1037AK-T146-R
R1692	301 224 8814	MT-GLAZE 100 JA 1/16W					305 147 2218	TR 2SA1037AK-S-T146
R1693	301 224 8814	MT-GLAZE 100 JA 1/16W					305 173 9618	TR 2SA1235A1E
A1880 655 003 8081 ASSY,PWB,AMF SENSOR KK8A							305 173 9717	TR 2SA1235A1F
CAPACITOR							405 220 3115	TR ISA1235AC1E
C1816	303 453 8917	CERAMIC 0.1U K 16V					405 220 3016	TR ISA1235AC1F
	303 453 8610	CERAMIC 0.1U K 16V				Q1012	406 021 7804	TR 2SC4617
	303 409 3426	CERAMIC 0.1U K 16V				Q1013	406 021 7804	TR 2SC4617
RESISTOR						Q1341	406 021 7804	TR 2SC4617
R1812	301 150 6014	MT-GLAZE 0.000 ZA 1/10W				Q1342	305 134 5928	TR 2SA1037AK-T146-R
R1813	301 256 6512	MT-GLAZE 68 JA 1/10W					305 147 2218	TR 2SA1037AK-S-T146
DIODE							305 173 9618	TR 2SA1235A1E
D1811	645 098 0428	UNIT,PHOTOINTERRUPTER					305 173 9717	TR 2SA1235A1F
A1890 655 003 8074 ASSY,PWB,FILTER SW KK8A							405 220 3115	TR ISA1235AC1E
MISCELLANEOUS							405 220 3016	TR ISA1235AC1F
SW1891	945 063 5176	SWITCH,PUSH 2P-2TX3				Q1343	305 134 5928	TR 2SA1037AK-T146-R
A8730 655 003 8067 ASSY,PWB,ID CONNECT KK8A							305 147 2218	TR 2SA1037AK-S-T146
RESISTOR							305 173 9618	TR 2SA1235A1E
R8738	301 226 1516	MT-GLAZE 0.000 ZA 1/16W					305 173 9717	TR 2SA1235A1F
COIL							405 220 3115	TR ISA1235AC1E
L8731	945 086 6037	IMPEDANCE,330 OHM P					405 220 3016	TR ISA1235AC1F
L8732	945 086 6037	IMPEDANCE,330 OHM P				Q1361	305 211 1918	TR RJU002N06
L8733	945 086 6037	IMPEDANCE,330 OHM P				Q1363	305 211 1918	TR RJU002N06
L8734	945 086 6037	IMPEDANCE,330 OHM P				Q1366	305 211 1918	TR RJU002N06
L8737	945 086 6037	IMPEDANCE,330 OHM P				Q1368	305 211 1918	TR RJU002N06
						Q1861	406 021 7804	TR 2SC4617
						Q2041	406 021 7804	TR 2SC4617
						Q2501	305 158 9213	TR IMZ4-T108
						Q2502	305 158 9213	TR IMZ4-T108
						Q2531	305 158 9213	TR IMZ4-T108
						Q2532	305 158 9213	TR IMZ4-T108
						Q2561	305 158 9213	TR IMZ4-T108
						Q2562	305 158 9213	TR IMZ4-T108

Key No.	Part No.	Description	Key No.	Part No.	Description
Q2801	406 021 7804	TR 2SC4617	Q7797	305 134 5928	TR 2SA1037AK-T146-R
Q2802	406 021 7804	TR 2SC4617		305 147 2218	TR 2SA1037AK-S-T146
Q2803	406 021 7804	TR 2SC4617		305 173 9618	TR 2SA1235A1E
Q2804	406 021 7804	TR 2SC4617		305 173 9717	TR 2SA1235A1F
Q2805	406 021 7804	TR 2SC4617		405 220 3115	TR ISA1235AC1E
Q381	305 211 1918	TR RJU002N06		405 220 3016	TR ISA1235AC1F
Q382	305 211 1918	TR RJU002N06	Q7821	406 021 7804	TR 2SC4617
Q4001	305 217 4913	TR RN1111 TE85L	Q7841	406 021 7804	TR 2SC4617
Q4831	406 021 7804	TR 2SC4617	Q7842	406 021 7804	TR 2SC4617
Q4832	406 021 7804	TR 2SC4617	Q7843	406 021 7804	TR 2SC4617
Q4833	406 021 7804	TR 2SC4617	Q7861	406 021 7804	TR 2SC4617
Q4834	406 021 7804	TR 2SC4617	Q7881	406 021 7804	TR 2SC4617
Q5034	406 021 7804	TR 2SC4617	Q7891	406 021 7804	TR 2SC4617
Q5251	406 021 7804	TR 2SC4617	Q7921	406 021 7804	TR 2SC4617
Q5252	406 021 7804	TR 2SC4617	Q7942	406 021 7804	TR 2SC4617
Q5355	305 211 1918	TR RJU002N06	Q835	406 021 7804	TR 2SC4617
Q5356	305 211 1918	TR RJU002N06	Q836	406 021 7804	TR 2SC4617
Q5375	305 211 1918	TR RJU002N06	Q837	406 021 7804	TR 2SC4617
Q5376	305 211 1918	TR RJU002N06	Q838	406 021 7804	TR 2SC4617
Q5501	406 021 7804	TR 2SC4617	Q842	406 021 7804	TR 2SC4617
Q5521	406 021 7804	TR 2SC4617	Q843	406 021 7804	TR 2SC4617
Q5561	406 021 7804	TR 2SC4617	Q8801	305 211 1918	TR RJU002N06
Q5751	305 217 6917	TR TPC6107 TE85L	Q8802	305 211 1918	TR RJU002N06
Q5752	406 021 7804	TR 2SC4617	Q8803	305 211 1918	TR RJU002N06
Q5848	406 021 7804	TR 2SC4617	Q8805	406 021 7804	TR 2SC4617
Q5855	406 021 7804	TR 2SC4617	Q8806	305 134 5928	TR 2SA1037AK-T146-R
Q5856	406 021 7804	TR 2SC4617		305 147 2218	TR 2SA1037AK-S-T146
Q5861	305 134 5928	TR 2SA1037AK-T146-R		305 173 9618	TR 2SA1235A1E
	305 147 2218	TR 2SA1037AK-S-T146		305 173 9717	TR 2SA1235A1F
	305 173 9618	TR 2SA1235A1E		405 220 3115	TR ISA1235AC1E
	305 173 9717	TR 2SA1235A1F		405 220 3016	TR ISA1235AC1F
	405 220 3115	TR ISA1235AC1E	Q8808	305 134 5928	TR 2SA1037AK-T146-R
	405 220 3016	TR ISA1235AC1F		305 147 2218	TR 2SA1037AK-S-T146
Q5862	406 021 7804	TR 2SC4617		305 173 9618	TR 2SA1235A1E
Q5869	406 021 7804	TR 2SC4617		305 173 9717	TR 2SA1235A1F
Q5894	406 021 7804	TR 2SC4617		405 220 3115	TR ISA1235AC1E
Q6501	406 021 7804	TR 2SC4617		405 220 3016	TR ISA1235AC1F
Q6521	406 021 7804	TR 2SC4617	Q8809	406 021 7804	TR 2SC4617
Q6611	305 217 8515	TR RSQ025P03-TR	Q8810	406 021 7804	TR 2SC4617
Q6612	305 047 9010	TR 2SB1204-S-TL-E			
Q6613	406 021 7804	TR 2SC4617	INTEGRATED CIRCUIT		
Q6621	406 021 7804	TR 2SC4617	IC1003	310 517 6809	IC TC74LVX4053FT
Q6622	406 021 7804	TR 2SC4617	IC1004	309 462 0327	IC 24LC21AT/SN
Q6691	406 021 7804	TR 2SC4617	IC1011	309 484 2016	IC BA7078AF-E2
Q6692	305 208 0214	TR FSS163-TL-E	IC1301	310 616 3402	IC PST413A300NR
Q7701	305 208 0214	TR FSS163-TL-E	IC1311	410 643 4400	IC EDD2516AETA-5B-E
Q7702	305 139 7719	TR IMZ1A-T108	IC1331	410 643 4400	IC EDD2516AETA-5B-E
Q7721	305 208 0214	TR FSS163-TL-E	IC1387	310 538 4907	IC 24LC64T-I/SNG
Q7722	305 139 7719	TR IMZ1A-T108	IC1391	309 673 9819	IC PQ070XNA1ZPH
Q7782	406 021 7804	TR 2SC4617	IC1402	309 487 5727	IC TC7SZ125FU
Q7783	406 021 7804	TR 2SC4617	IC1441	409 699 6615	IC BD7820FP
Q7784	406 021 7804	TR 2SC4617	IC1451	310 595 8009	IC PQ1LAX95MSPQ
Q7792	406 021 7804	TR 2SC4617	IC1461	409 699 6615	IC BD7820FP
Q7793	406 021 7804	TR 2SC4617	IC1854	309 301 5510	IC TC7S08FU(TE85L)
Q7794	406 021 7804	TR 2SC4617	IC2201	310 587 8703	IC ISL98001CQZ-140
Q7796	406 021 7804	TR 2SC4617	IC2251	309 416 6419	IC BA033FP-E2

Key No.	Part No.	Description	Key No.	Part No.	Description
	309 588 6316	IC BA33BC0FP	IC843	310 596 0002	IC 74LVC1G125GW,125
IC2301	409 700 7013	IC PW610-10GX	IC8801	410 707 9204	IC PIC18F67J60-I/PT-KK8AL
IC2371	409 685 9415	IC MP2307DN	IC8881	309 246 9710	IC LA6358NM-TE-L-E
IC2391	310 595 8009	IC PQ1LAX95MSPQ	CAPACITOR		
IC2811	310 348 7402	IC TC74LCX125FT(EL)	C016	303 396 9613	CERAMIC 1U K 25V
IC2813	309 301 5312	IC TC7S32FU-TE85L		303 397 7618	CERAMIC 1U K 25V
IC301	409 686 5317	IC PW392C-30L		403 478 5912	CERAMIC 1U K 25V
IC302	309 487 5727	IC TC7SZ125FU	C017	303 393 0019	ELECT 470U M 25V
IC3801	409 699 2815	IC MAX232ECPWR		303 420 1415	ELECT 470U M 25V
IC3852	309 246 9710	IC LA6358NM-TE-L-E	C018	403 455 1012	CERAMIC 1U K 10V
IC4002	310 348 7501	IC TC7WT241FU(TE12L)		303 433 1112	CERAMIC 1U K 10V
IC401	409 700 0212	IC CXD3548GB	C019	303 396 9613	CERAMIC 1U K 25V
IC4711	310 348 7402	IC TC74LCX125FT(EL)		303 397 7618	CERAMIC 1U K 25V
IC4801	309 671 7817	IC TE7783APF		403 478 5912	CERAMIC 1U K 25V
	309 633 6117	IC TE7783PF	C022	403 455 1012	CERAMIC 1U K 10V
IC5291	409 699 6615	IC BD7820FP		303 433 1112	CERAMIC 1U K 10V
IC5301	310 348 7402	IC TC74LCX125FT(EL)	C023	303 396 9415	CERAMIC 1U K 10V
IC5501	309 362 1127	IC BA6287F		303 358 8319	CERAMIC 1U K 10V
IC5521	309 362 1127	IC BA6287F		303 364 5814	CERAMIC 1U K 10V
IC5532	410 656 8501	IC XC6216BC02MR	C024	303 453 8917	CERAMIC 0.1U K 16V
IC5541	409 684 3919	IC NJM2671E2(TE1)		303 453 8610	CERAMIC 0.1U K 16V
IC5542	309 461 7822	IC PQ20WZ11		303 409 3426	CERAMIC 0.1U K 16V
IC5551	309 394 9310	IC TC7SH14FU(TE85L)	C025	303 453 8917	CERAMIC 0.1U K 16V
IC5552	309 394 9310	IC TC7SH14FU(TE85L)		303 453 8610	CERAMIC 0.1U K 16V
IC5561	309 362 1127	IC BA6287F		303 409 3426	CERAMIC 0.1U K 16V
IC5821	409 689 2115	IC MP2106DK	C027	303 450 2215	CERAMIC 0.22U K 25V
IC5842	409 685 9415	IC MP2307DN	C028	403 455 1012	CERAMIC 1U K 10V
IC5851	409 699 6615	IC BD7820FP		303 433 1112	CERAMIC 1U K 10V
IC5852	309 559 8912	IC AMS1117-2.5	C029	303 453 8917	CERAMIC 0.1U K 16V
	409 701 4219	IC LM1117S-2.5		303 453 8610	CERAMIC 0.1U K 16V
IC5860	409 685 9415	IC MP2307DN		303 409 3426	CERAMIC 0.1U K 16V
IC5881	309 416 6518	IC BA05FP-E2	C030	303 453 8917	CERAMIC 0.1U K 16V
IC5891	309 416 6518	IC BA05FP-E2		303 453 8610	CERAMIC 0.1U K 16V
IC5892	309 416 6518	IC BA05FP-E2		303 409 3426	CERAMIC 0.1U K 16V
IC592	309 461 7822	IC PQ20WZ11	C031	303 398 4418	ELECT 10U M 25V
IC6501	309 400 7118	IC TC7W53FU-(TE12L)		303 184 8217	ELECT 10U M 25V
IC6502	309 537 6213	IC BA6920FP-YE2	C032	403 455 1616	CERAMIC 10U K 16V
IC6521	309 537 6213	IC BA6920FP-YE2		403 478 5813	CERAMIC 10U K 16V
IC6541	309 400 7118	IC TC7W53FU-(TE12L)	C033	303 450 2215	CERAMIC 0.22U K 25V
IC6551	309 464 1411	IC TC74ACT14FT	C035	403 455 1012	CERAMIC 1U K 10V
IC6606	309 531 6229	IC FA7701V-TE1		303 433 1112	CERAMIC 1U K 10V
IC6609	409 685 9415	IC MP2307DN	C038	403 455 1012	CERAMIC 1U K 10V
IC7611	309 330 2511	IC TC7SH04FU-(TE85L)		303 433 1112	CERAMIC 1U K 10V
IC7701	309 531 6229	IC FA7701V-TE1	C039	403 455 1012	CERAMIC 1U K 10V
IC7721	309 531 6229	IC FA7701V-TE1		303 433 1112	CERAMIC 1U K 10V
IC7801	309 458 3414	IC M62393FP	C040	303 454 0613	CERAMIC 10000P K 50V
IC7821	309 461 7822	IC PQ20WZ11		303 441 9810	CERAMIC 0.01U K 50V
IC7841	309 461 7822	IC PQ20WZ11	C041	303 453 8917	CERAMIC 0.1U K 16V
IC7861	309 461 7822	IC PQ20WZ11		303 453 8610	CERAMIC 0.1U K 16V
IC7881	309 461 7822	IC PQ20WZ11		303 409 3426	CERAMIC 0.1U K 16V
IC7921	309 461 7822	IC PQ20WZ11	C042	303 453 8917	CERAMIC 0.1U K 16V
IC8001	409 698 5510	IC SII9127ACTU		303 453 8610	CERAMIC 0.1U K 16V
IC801	410 707 9105	IC M29W640FT70N6EKK8AL		303 409 3426	CERAMIC 0.1U K 16V
IC8071	309 673 9819	IC PQ070XNA1ZPH	C047	303 396 9613	CERAMIC 1U K 25V
IC8081	310 595 8009	IC PQ1LAX95MSPQ		303 397 7618	CERAMIC 1U K 25V
IC8091	409 699 6615	IC BD7820FP		403 478 5912	CERAMIC 1U K 25V

Electrical Parts List

KK8-WXL2000

Key No.	Part No.	Description	Key No.	Part No.	Description
C048	403 469 6317	CERAMIC 0.47U K 50V	C1301	303 398 4111	ELECT 47U M 16V
C1001	403 467 0911	CERAMIC 0.1U K 25V		303 387 6515	ELECT 47U M 16V
C1002	403 467 0911	CERAMIC 0.1U K 25V	C1302	303 453 8917	CERAMIC 0.1U K 16V
C1004	303 453 8917	CERAMIC 0.1U K 16V		303 453 8610	CERAMIC 0.1U K 16V
	303 453 8610	CERAMIC 0.1U K 16V		303 409 3426	CERAMIC 0.1U K 16V
	303 409 3426	CERAMIC 0.1U K 16V	C1304	303 454 0613	CERAMIC 10000P K 50V
C1006	303 398 4111	ELECT 47U M 16V		303 441 9810	CERAMIC 0.01U K 50V
	303 387 6515	ELECT 47U M 16V	C1306	303 453 8511	CERAMIC 1000P K 50V
C1019	303 396 9514	CERAMIC 2.2U K 10V		303 454 1214	CERAMIC 1000P K 50V
	303 382 7814	CERAMIC 2.2U K 10V		303 276 1317	CERAMIC 1000P K 50V
C1021	303 453 8917	CERAMIC 0.1U K 16V	C1311	303 453 8917	CERAMIC 0.1U K 16V
	303 453 8610	CERAMIC 0.1U K 16V		303 453 8610	CERAMIC 0.1U K 16V
	303 409 3426	CERAMIC 0.1U K 16V		303 409 3426	CERAMIC 0.1U K 16V
C1022	403 455 1012	CERAMIC 1U K 10V	C1312	303 453 8917	CERAMIC 0.1U K 16V
	303 433 1112	CERAMIC 1U K 10V		303 453 8610	CERAMIC 0.1U K 16V
C1023	303 398 4111	ELECT 47U M 16V		303 409 3426	CERAMIC 0.1U K 16V
	303 387 6515	ELECT 47U M 16V	C1313	303 453 8917	CERAMIC 0.1U K 16V
C1035	303 396 9514	CERAMIC 2.2U K 10V		303 453 8610	CERAMIC 0.1U K 16V
	303 382 7814	CERAMIC 2.2U K 10V		303 409 3426	CERAMIC 0.1U K 16V
C1036	303 396 9514	CERAMIC 2.2U K 10V	C1314	303 453 8917	CERAMIC 0.1U K 16V
	303 382 7814	CERAMIC 2.2U K 10V		303 453 8610	CERAMIC 0.1U K 16V
C1037	303 396 9514	CERAMIC 2.2U K 10V		303 409 3426	CERAMIC 0.1U K 16V
	303 382 7814	CERAMIC 2.2U K 10V	C1316	303 453 8917	CERAMIC 0.1U K 16V
C1038	303 396 9514	CERAMIC 2.2U K 10V		303 453 8610	CERAMIC 0.1U K 16V
	303 382 7814	CERAMIC 2.2U K 10V		303 409 3426	CERAMIC 0.1U K 16V
C1039	303 396 9514	CERAMIC 2.2U K 10V	C1317	303 453 8917	CERAMIC 0.1U K 16V
	303 382 7814	CERAMIC 2.2U K 10V		303 453 8610	CERAMIC 0.1U K 16V
C1040	303 396 9514	CERAMIC 2.2U K 10V		303 409 3426	CERAMIC 0.1U K 16V
	303 382 7814	CERAMIC 2.2U K 10V	C1318	303 453 8917	CERAMIC 0.1U K 16V
C1041	303 396 9514	CERAMIC 2.2U K 10V		303 453 8610	CERAMIC 0.1U K 16V
	303 382 7814	CERAMIC 2.2U K 10V		303 409 3426	CERAMIC 0.1U K 16V
C1042	403 455 1012	CERAMIC 1U K 10V	C1319	303 453 8917	CERAMIC 0.1U K 16V
	303 433 1112	CERAMIC 1U K 10V		303 453 8610	CERAMIC 0.1U K 16V
C1043	303 336 3510	CERAMIC 0.47U K 16V		303 409 3426	CERAMIC 0.1U K 16V
C1044	303 396 9514	CERAMIC 2.2U K 10V	C1321	303 358 3215	CERAMIC 10U K 6.3V
	303 382 7814	CERAMIC 2.2U K 10V		303 370 0018	CERAMIC 10U K 6.3V
C1045	403 467 0911	CERAMIC 0.1U K 25V		303 368 7319	CERAMIC 10U K 6.3V
C1046	403 455 1012	CERAMIC 1U K 10V	C1322	303 453 8917	CERAMIC 0.1U K 16V
	303 433 1112	CERAMIC 1U K 10V		303 453 8610	CERAMIC 0.1U K 16V
C1047	403 467 0911	CERAMIC 0.1U K 25V		303 409 3426	CERAMIC 0.1U K 16V
C1048	303 157 3614	CERAMIC 100P J 50V	C1323	303 453 8917	CERAMIC 0.1U K 16V
	303 235 0610	CERAMIC 100P J 50V		303 453 8610	CERAMIC 0.1U K 16V
C1049	303 396 9514	CERAMIC 2.2U K 10V		303 409 3426	CERAMIC 0.1U K 16V
	303 382 7814	CERAMIC 2.2U K 10V	C1324	303 453 8917	CERAMIC 0.1U K 16V
C1051	303 396 9514	CERAMIC 2.2U K 10V		303 453 8610	CERAMIC 0.1U K 16V
	303 382 7814	CERAMIC 2.2U K 10V		303 409 3426	CERAMIC 0.1U K 16V
C1054	303 396 9514	CERAMIC 2.2U K 10V	C1326	303 453 8917	CERAMIC 0.1U K 16V
	303 382 7814	CERAMIC 2.2U K 10V		303 453 8610	CERAMIC 0.1U K 16V
C1056	303 396 9514	CERAMIC 2.2U K 10V		303 409 3426	CERAMIC 0.1U K 16V
	303 382 7814	CERAMIC 2.2U K 10V	C1327	303 453 8917	CERAMIC 0.1U K 16V
C1075	303 396 9514	CERAMIC 2.2U K 10V		303 453 8610	CERAMIC 0.1U K 16V
	303 382 7814	CERAMIC 2.2U K 10V		303 409 3426	CERAMIC 0.1U K 16V
C1077	303 396 9514	CERAMIC 2.2U K 10V	C1328	303 453 8917	CERAMIC 0.1U K 16V
	303 382 7814	CERAMIC 2.2U K 10V		303 453 8610	CERAMIC 0.1U K 16V
C1079	303 396 9514	CERAMIC 2.2U K 10V		303 409 3426	CERAMIC 0.1U K 16V
	303 382 7814	CERAMIC 2.2U K 10V			

Electrical Parts List

KK8-WXL20000

Key No.	Part No.	Description	Key No.	Part No.	Description
C1331	303 453 8917	CERAMIC 0.1U K 16V	C1387	303 453 8917	CERAMIC 0.1U K 16V
	303 453 8610	CERAMIC 0.1U K 16V		303 453 8610	CERAMIC 0.1U K 16V
	303 409 3426	CERAMIC 0.1U K 16V		303 409 3426	CERAMIC 0.1U K 16V
C1332	303 453 8917	CERAMIC 0.1U K 16V	C1391	403 455 1012	CERAMIC 1U K 10V
	303 453 8610	CERAMIC 0.1U K 16V		303 433 1112	CERAMIC 1U K 10V
	303 409 3426	CERAMIC 0.1U K 16V	C1392	403 455 1012	CERAMIC 1U K 10V
C1333	303 453 8917	CERAMIC 0.1U K 16V		303 433 1112	CERAMIC 1U K 10V
	303 453 8610	CERAMIC 0.1U K 16V	C1393	303 358 3215	CERAMIC 10U K 6.3V
	303 409 3426	CERAMIC 0.1U K 16V		303 370 0018	CERAMIC 10U K 6.3V
C1334	303 453 8917	CERAMIC 0.1U K 16V		303 368 7319	CERAMIC 10U K 6.3V
	303 453 8610	CERAMIC 0.1U K 16V	C1394	303 392 5015	CERAMIC 22U M 6.3V
	303 409 3426	CERAMIC 0.1U K 16V		303 443 9214	CERAMIC 22U M 6.3V
C1336	303 453 8917	CERAMIC 0.1U K 16V	C1412	403 455 1012	CERAMIC 1U K 10V
	303 453 8610	CERAMIC 0.1U K 16V		303 433 1112	CERAMIC 1U K 10V
	303 409 3426	CERAMIC 0.1U K 16V	C1413	403 455 1012	CERAMIC 1U K 10V
C1337	303 453 8917	CERAMIC 0.1U K 16V		303 433 1112	CERAMIC 1U K 10V
	303 453 8610	CERAMIC 0.1U K 16V	C1414	403 455 1012	CERAMIC 1U K 10V
	303 409 3426	CERAMIC 0.1U K 16V		303 433 1112	CERAMIC 1U K 10V
C1338	303 453 8917	CERAMIC 0.1U K 16V	C1440	403 455 1012	CERAMIC 1U K 10V
	303 453 8610	CERAMIC 0.1U K 16V		303 433 1112	CERAMIC 1U K 10V
	303 409 3426	CERAMIC 0.1U K 16V	C1441	303 358 3215	CERAMIC 10U K 6.3V
C1339	303 453 8917	CERAMIC 0.1U K 16V		303 370 0018	CERAMIC 10U K 6.3V
	303 453 8610	CERAMIC 0.1U K 16V		303 368 7319	CERAMIC 10U K 6.3V
	303 409 3426	CERAMIC 0.1U K 16V	C1442	403 455 1012	CERAMIC 1U K 10V
C1341	303 453 8917	CERAMIC 0.1U K 16V		303 433 1112	CERAMIC 1U K 10V
	303 453 8610	CERAMIC 0.1U K 16V	C1443	303 358 3215	CERAMIC 10U K 6.3V
	303 409 3426	CERAMIC 0.1U K 16V		303 370 0018	CERAMIC 10U K 6.3V
C1342	303 453 8917	CERAMIC 0.1U K 16V		303 368 7319	CERAMIC 10U K 6.3V
	303 453 8610	CERAMIC 0.1U K 16V	C1452	403 455 1012	CERAMIC 1U K 10V
	303 409 3426	CERAMIC 0.1U K 16V		303 433 1112	CERAMIC 1U K 10V
C1343	303 453 8917	CERAMIC 0.1U K 16V	C1453	303 358 3215	CERAMIC 10U K 6.3V
	303 453 8610	CERAMIC 0.1U K 16V		303 370 0018	CERAMIC 10U K 6.3V
	303 409 3426	CERAMIC 0.1U K 16V		303 368 7319	CERAMIC 10U K 6.3V
C1344	303 453 8917	CERAMIC 0.1U K 16V	C1454	303 454 0613	CERAMIC 10000P K 50V
	303 453 8610	CERAMIC 0.1U K 16V		303 441 9810	CERAMIC 0.01U K 50V
	303 409 3426	CERAMIC 0.1U K 16V	C1464	303 453 8917	CERAMIC 0.1U K 16V
C1351	303 276 1911	CERAMIC 22P J 50V		303 453 8610	CERAMIC 0.1U K 16V
C1352	303 276 1911	CERAMIC 22P J 50V		303 409 3426	CERAMIC 0.1U K 16V
C1353	303 453 7910	CERAMIC 18P J 50V	C1467	303 401 2219	ELECT 100U M 6.3V
	303 454 0712	CERAMIC 18P J 50V		303 424 0315	ELECT 100U M 6.3V
	303 276 2819	CERAMIC 18P J 50V		403 458 7219	ELECT 100U M 6.3V
C1354	303 453 7910	CERAMIC 18P J 50V	C1469	303 453 8917	CERAMIC 0.1U K 16V
	303 454 0712	CERAMIC 18P J 50V		303 453 8610	CERAMIC 0.1U K 16V
	303 276 2819	CERAMIC 18P J 50V		303 409 3426	CERAMIC 0.1U K 16V
C1355	303 453 8917	CERAMIC 0.1U K 16V	C1470	403 455 1012	CERAMIC 1U K 10V
	303 453 8610	CERAMIC 0.1U K 16V		303 433 1112	CERAMIC 1U K 10V
	303 409 3426	CERAMIC 0.1U K 16V	C1471	403 455 1012	CERAMIC 1U K 10V
C1356	403 455 1012	CERAMIC 1U K 10V		303 433 1112	CERAMIC 1U K 10V
	303 433 1112	CERAMIC 1U K 10V	C1472	303 453 8917	CERAMIC 0.1U K 16V
C1357	303 453 6814	CERAMIC 68P J 50V		303 453 8610	CERAMIC 0.1U K 16V
	303 454 0019	CERAMIC 68P J 50V		303 409 3426	CERAMIC 0.1U K 16V
	303 320 0419	CERAMIC 68P J 50V	C1473	303 358 3215	CERAMIC 10U K 6.3V
C1358	303 453 6814	CERAMIC 68P J 50V		303 370 0018	CERAMIC 10U K 6.3V
	303 454 0019	CERAMIC 68P J 50V		303 368 7319	CERAMIC 10U K 6.3V
	303 320 0419	CERAMIC 68P J 50V	C1474	303 453 8917	CERAMIC 0.1U K 16V
C1359	403 467 0911	CERAMIC 0.1U K 25V		303 453 8610	CERAMIC 0.1U K 16V

Electrical Parts List

KK8-WXL20000

Key No.	Part No.	Description	Key No.	Part No.	Description
	303 409 3426	CERAMIC 0.1U K 16V		303 409 3426	CERAMIC 0.1U K 16V
C1476	303 453 8917	CERAMIC 0.1U K 16V	C2206	303 453 8917	CERAMIC 0.1U K 16V
	303 453 8610	CERAMIC 0.1U K 16V		303 453 8610	CERAMIC 0.1U K 16V
	303 409 3426	CERAMIC 0.1U K 16V		303 409 3426	CERAMIC 0.1U K 16V
C1806	303 453 8917	CERAMIC 0.1U K 16V	C2207	303 453 8917	CERAMIC 0.1U K 16V
	303 453 8610	CERAMIC 0.1U K 16V		303 453 8610	CERAMIC 0.1U K 16V
	303 409 3426	CERAMIC 0.1U K 16V		303 409 3426	CERAMIC 0.1U K 16V
C1813	303 453 8917	CERAMIC 0.1U K 16V	C2208	303 453 8917	CERAMIC 0.1U K 16V
	303 453 8610	CERAMIC 0.1U K 16V		303 453 8610	CERAMIC 0.1U K 16V
	303 409 3426	CERAMIC 0.1U K 16V		303 409 3426	CERAMIC 0.1U K 16V
C1851	303 453 8917	CERAMIC 0.1U K 16V	C2209	303 453 8917	CERAMIC 0.1U K 16V
	303 453 8610	CERAMIC 0.1U K 16V		303 453 8610	CERAMIC 0.1U K 16V
	303 409 3426	CERAMIC 0.1U K 16V		303 409 3426	CERAMIC 0.1U K 16V
C1853	303 453 8917	CERAMIC 0.1U K 16V	C2211	303 453 8917	CERAMIC 0.1U K 16V
	303 453 8610	CERAMIC 0.1U K 16V		303 453 8610	CERAMIC 0.1U K 16V
	303 409 3426	CERAMIC 0.1U K 16V		303 409 3426	CERAMIC 0.1U K 16V
C1859	303 453 8917	CERAMIC 0.1U K 16V	C2212	303 453 8917	CERAMIC 0.1U K 16V
	303 453 8610	CERAMIC 0.1U K 16V		303 453 8610	CERAMIC 0.1U K 16V
	303 409 3426	CERAMIC 0.1U K 16V		303 409 3426	CERAMIC 0.1U K 16V
C1880	403 455 1012	CERAMIC 1U K 10V	C2213	303 453 8917	CERAMIC 0.1U K 16V
	303 433 1112	CERAMIC 1U K 10V		303 453 8610	CERAMIC 0.1U K 16V
C1883	303 453 8917	CERAMIC 0.1U K 16V		303 409 3426	CERAMIC 0.1U K 16V
	303 453 8610	CERAMIC 0.1U K 16V	C2214	303 454 0613	CERAMIC 10000P K 50V
	303 409 3426	CERAMIC 0.1U K 16V		303 441 9810	CERAMIC 0.01U K 50V
C1884	303 453 8917	CERAMIC 0.1U K 16V	C2216	303 454 0613	CERAMIC 10000P K 50V
	303 453 8610	CERAMIC 0.1U K 16V		303 441 9810	CERAMIC 0.01U K 50V
	303 409 3426	CERAMIC 0.1U K 16V	C2217	303 454 0613	CERAMIC 10000P K 50V
C201	303 453 8917	CERAMIC 0.1U K 16V		303 441 9810	CERAMIC 0.01U K 50V
	303 453 8610	CERAMIC 0.1U K 16V	C2218	303 454 0613	CERAMIC 10000P K 50V
	303 409 3426	CERAMIC 0.1U K 16V		303 441 9810	CERAMIC 0.01U K 50V
C202	303 381 5316	ELECT 100U M 16V	C2219	303 453 8917	CERAMIC 0.1U K 16V
	303 369 3211	ELECT 100U M 16V		303 453 8610	CERAMIC 0.1U K 16V
	403 458 7615	ELECT 100U M 16V		303 409 3426	CERAMIC 0.1U K 16V
C203	303 453 8917	CERAMIC 0.1U K 16V	C2221	303 453 8917	CERAMIC 0.1U K 16V
	303 453 8610	CERAMIC 0.1U K 16V		303 453 8610	CERAMIC 0.1U K 16V
	303 409 3426	CERAMIC 0.1U K 16V		303 409 3426	CERAMIC 0.1U K 16V
C2041	403 467 0911	CERAMIC 0.1U K 25V	C2222	303 453 8917	CERAMIC 0.1U K 16V
C205	403 467 0911	CERAMIC 0.1U K 25V		303 453 8610	CERAMIC 0.1U K 16V
C206	303 358 3215	CERAMIC 10U K 6.3V		303 409 3426	CERAMIC 0.1U K 16V
	303 370 0018	CERAMIC 10U K 6.3V	C2223	303 453 8917	CERAMIC 0.1U K 16V
	303 368 7319	CERAMIC 10U K 6.3V		303 453 8610	CERAMIC 0.1U K 16V
C207	403 467 0911	CERAMIC 0.1U K 25V		303 409 3426	CERAMIC 0.1U K 16V
C208	303 358 3215	CERAMIC 10U K 6.3V	C2224	303 276 1911	CERAMIC 22P J 50V
	303 370 0018	CERAMIC 10U K 6.3V	C2226	303 453 7910	CERAMIC 18P J 50V
	303 368 7319	CERAMIC 10U K 6.3V		303 454 0712	CERAMIC 18P J 50V
C2201	303 453 8917	CERAMIC 0.1U K 16V		303 276 2819	CERAMIC 18P J 50V
	303 453 8610	CERAMIC 0.1U K 16V	C2227	303 453 8917	CERAMIC 0.1U K 16V
	303 409 3426	CERAMIC 0.1U K 16V		303 453 8610	CERAMIC 0.1U K 16V
C2202	303 453 8917	CERAMIC 0.1U K 16V		303 409 3426	CERAMIC 0.1U K 16V
	303 453 8610	CERAMIC 0.1U K 16V	C2228	303 453 8917	CERAMIC 0.1U K 16V
	303 409 3426	CERAMIC 0.1U K 16V		303 453 8610	CERAMIC 0.1U K 16V
C2203	303 453 8917	CERAMIC 0.1U K 16V		303 409 3426	CERAMIC 0.1U K 16V
	303 453 8610	CERAMIC 0.1U K 16V	C2229	303 453 8917	CERAMIC 0.1U K 16V
	303 409 3426	CERAMIC 0.1U K 16V		303 453 8610	CERAMIC 0.1U K 16V
C2204	303 453 8917	CERAMIC 0.1U K 16V		303 409 3426	CERAMIC 0.1U K 16V
	303 453 8610	CERAMIC 0.1U K 16V	C2231	303 358 3215	CERAMIC 10U K 6.3V

Electrical Parts List

KK8-WXL20000

Key No.	Part No.	Description	Key No.	Part No.	Description
	303 370 0018	CERAMIC 10U K 6.3V		303 409 3426	CERAMIC 0.1U K 16V
	303 368 7319	CERAMIC 10U K 6.3V	C2308	303 453 8917	CERAMIC 0.1U K 16V
C2232	303 453 8917	CERAMIC 0.1U K 16V		303 453 8610	CERAMIC 0.1U K 16V
	303 453 8610	CERAMIC 0.1U K 16V		303 409 3426	CERAMIC 0.1U K 16V
	303 409 3426	CERAMIC 0.1U K 16V	C2309	303 453 8917	CERAMIC 0.1U K 16V
C2233	303 453 8917	CERAMIC 0.1U K 16V		303 453 8610	CERAMIC 0.1U K 16V
	303 453 8610	CERAMIC 0.1U K 16V		303 409 3426	CERAMIC 0.1U K 16V
	303 409 3426	CERAMIC 0.1U K 16V	C2311	303 453 8917	CERAMIC 0.1U K 16V
C2234	303 453 8917	CERAMIC 0.1U K 16V		303 453 8610	CERAMIC 0.1U K 16V
	303 453 8610	CERAMIC 0.1U K 16V		303 409 3426	CERAMIC 0.1U K 16V
	303 409 3426	CERAMIC 0.1U K 16V	C2312	303 453 8917	CERAMIC 0.1U K 16V
C2236	303 453 8917	CERAMIC 0.1U K 16V		303 453 8610	CERAMIC 0.1U K 16V
	303 453 8610	CERAMIC 0.1U K 16V		303 409 3426	CERAMIC 0.1U K 16V
	303 409 3426	CERAMIC 0.1U K 16V	C2313	303 453 8917	CERAMIC 0.1U K 16V
C2237	303 453 8917	CERAMIC 0.1U K 16V		303 453 8610	CERAMIC 0.1U K 16V
	303 453 8610	CERAMIC 0.1U K 16V		303 409 3426	CERAMIC 0.1U K 16V
	303 409 3426	CERAMIC 0.1U K 16V	C2314	303 453 8917	CERAMIC 0.1U K 16V
C2238	303 453 8917	CERAMIC 0.1U K 16V		303 453 8610	CERAMIC 0.1U K 16V
	303 453 8610	CERAMIC 0.1U K 16V		303 409 3426	CERAMIC 0.1U K 16V
	303 409 3426	CERAMIC 0.1U K 16V	C2315	303 453 8917	CERAMIC 0.1U K 16V
C2239	303 453 8917	CERAMIC 0.1U K 16V		303 453 8610	CERAMIC 0.1U K 16V
	303 453 8610	CERAMIC 0.1U K 16V		303 409 3426	CERAMIC 0.1U K 16V
	303 409 3426	CERAMIC 0.1U K 16V	C2316	303 453 8917	CERAMIC 0.1U K 16V
C2241	303 453 8917	CERAMIC 0.1U K 16V		303 453 8610	CERAMIC 0.1U K 16V
	303 453 8610	CERAMIC 0.1U K 16V		303 409 3426	CERAMIC 0.1U K 16V
	303 409 3426	CERAMIC 0.1U K 16V	C2318	303 453 8917	CERAMIC 0.1U K 16V
C2243	303 453 8917	CERAMIC 0.1U K 16V		303 453 8610	CERAMIC 0.1U K 16V
	303 453 8610	CERAMIC 0.1U K 16V		303 409 3426	CERAMIC 0.1U K 16V
	303 409 3426	CERAMIC 0.1U K 16V	C2319	303 453 8917	CERAMIC 0.1U K 16V
C2244	303 358 3215	CERAMIC 10U K 6.3V		303 453 8610	CERAMIC 0.1U K 16V
	303 370 0018	CERAMIC 10U K 6.3V		303 409 3426	CERAMIC 0.1U K 16V
	303 368 7319	CERAMIC 10U K 6.3V	C2321	303 453 8917	CERAMIC 0.1U K 16V
C2245	303 358 3215	CERAMIC 10U K 6.3V		303 453 8610	CERAMIC 0.1U K 16V
	303 370 0018	CERAMIC 10U K 6.3V		303 409 3426	CERAMIC 0.1U K 16V
	303 368 7319	CERAMIC 10U K 6.3V	C2322	303 453 8917	CERAMIC 0.1U K 16V
C2253	303 401 2219	ELECT 100U M 6.3V		303 453 8610	CERAMIC 0.1U K 16V
	303 424 0315	ELECT 100U M 6.3V		303 409 3426	CERAMIC 0.1U K 16V
	403 458 7219	ELECT 100U M 6.3V	C2323	303 453 8917	CERAMIC 0.1U K 16V
C2257	303 453 8917	CERAMIC 0.1U K 16V		303 453 8610	CERAMIC 0.1U K 16V
	303 453 8610	CERAMIC 0.1U K 16V		303 409 3426	CERAMIC 0.1U K 16V
	303 409 3426	CERAMIC 0.1U K 16V	C2324	303 453 8917	CERAMIC 0.1U K 16V
C2258	303 450 7012	CERAMIC 47U K 10V		303 453 8610	CERAMIC 0.1U K 16V
C2301	403 455 1012	CERAMIC 1U K 10V		303 409 3426	CERAMIC 0.1U K 16V
	303 433 1112	CERAMIC 1U K 10V	C2325	303 453 8917	CERAMIC 0.1U K 16V
C2302	403 455 1012	CERAMIC 1U K 10V		303 453 8610	CERAMIC 0.1U K 16V
	303 433 1112	CERAMIC 1U K 10V		303 409 3426	CERAMIC 0.1U K 16V
C2303	403 455 1012	CERAMIC 1U K 10V	C2326	303 453 8917	CERAMIC 0.1U K 16V
	303 433 1112	CERAMIC 1U K 10V		303 453 8610	CERAMIC 0.1U K 16V
C2304	303 276 1911	CERAMIC 22P J 50V		303 409 3426	CERAMIC 0.1U K 16V
C2305	403 456 4616	CERAMIC 27P J 50V	C2327	303 453 8917	CERAMIC 0.1U K 16V
	303 309 2519	CERAMIC 27P J 50V		303 453 8610	CERAMIC 0.1U K 16V
C2306	303 453 8917	CERAMIC 0.1U K 16V		303 409 3426	CERAMIC 0.1U K 16V
	303 453 8610	CERAMIC 0.1U K 16V	C2328	303 453 8917	CERAMIC 0.1U K 16V
	303 409 3426	CERAMIC 0.1U K 16V		303 453 8610	CERAMIC 0.1U K 16V
C2307	303 453 8917	CERAMIC 0.1U K 16V		303 409 3426	CERAMIC 0.1U K 16V
	303 453 8610	CERAMIC 0.1U K 16V			

Electrical Parts List

KK8-WXL20000

Key No.	Part No.	Description	Key No.	Part No.	Description
C2371	403 455 1616	CERAMIC 10U K 16V		303 397 7618	CERAMIC 1U K 25V
	403 478 5813	CERAMIC 10U K 16V		403 478 5912	CERAMIC 1U K 25V
C2372	403 455 1616	CERAMIC 10U K 16V	C2588	303 396 9613	CERAMIC 1U K 25V
	403 478 5813	CERAMIC 10U K 16V		303 397 7618	CERAMIC 1U K 25V
C2373	303 453 8917	CERAMIC 0.1U K 16V		403 478 5912	CERAMIC 1U K 25V
	303 453 8610	CERAMIC 0.1U K 16V	C2589	303 396 9613	CERAMIC 1U K 25V
	303 409 3426	CERAMIC 0.1U K 16V		303 397 7618	CERAMIC 1U K 25V
C2374	303 453 8917	CERAMIC 0.1U K 16V		403 478 5912	CERAMIC 1U K 25V
	303 453 8610	CERAMIC 0.1U K 16V	C2591	303 398 4111	ELECT 47U M 16V
	303 409 3426	CERAMIC 0.1U K 16V		303 387 6515	ELECT 47U M 16V
C2376	303 453 8917	CERAMIC 0.1U K 16V	C2593	303 396 9613	CERAMIC 1U K 25V
	303 453 8610	CERAMIC 0.1U K 16V		303 397 7618	CERAMIC 1U K 25V
	303 409 3426	CERAMIC 0.1U K 16V		403 478 5912	CERAMIC 1U K 25V
C2378	303 453 8917	CERAMIC 0.1U K 16V	C2594	403 467 0911	CERAMIC 0.1U K 25V
	303 453 8610	CERAMIC 0.1U K 16V	C2596	303 396 9613	CERAMIC 1U K 25V
	303 409 3426	CERAMIC 0.1U K 16V		303 397 7618	CERAMIC 1U K 25V
C2379	303 453 8917	CERAMIC 0.1U K 16V		403 478 5912	CERAMIC 1U K 25V
	303 453 8610	CERAMIC 0.1U K 16V	C2597	303 396 9613	CERAMIC 1U K 25V
	303 409 3426	CERAMIC 0.1U K 16V		303 397 7618	CERAMIC 1U K 25V
C2387	403 455 1012	CERAMIC 1U K 10V		403 478 5912	CERAMIC 1U K 25V
	303 433 1112	CERAMIC 1U K 10V	C2598	303 398 4111	ELECT 47U M 16V
C2388	303 358 3215	CERAMIC 10U K 6.3V		303 387 6515	ELECT 47U M 16V
	303 370 0018	CERAMIC 10U K 6.3V	C2626	303 453 6319	CERAMIC 100P J 50V
	303 368 7319	CERAMIC 10U K 6.3V		303 454 0910	CERAMIC 100P J 50V
C2389	303 324 6417	CERAMIC 0.022U K 16V		303 294 6110	CERAMIC 100P J 50V
C2501	303 397 6611	ELECT 10U M 25V	C2627	303 453 6319	CERAMIC 100P J 50V
	303 387 6812	ELECT 10U M 25V		303 454 0910	CERAMIC 100P J 50V
C2502	403 467 0911	CERAMIC 0.1U K 25V		303 294 6110	CERAMIC 100P J 50V
C2521	403 467 0911	CERAMIC 0.1U K 25V	C2628	303 453 6319	CERAMIC 100P J 50V
C2531	303 397 6611	ELECT 10U M 25V		303 454 0910	CERAMIC 100P J 50V
	303 387 6812	ELECT 10U M 25V		303 294 6110	CERAMIC 100P J 50V
C2532	403 467 0911	CERAMIC 0.1U K 25V	C2801	303 453 8917	CERAMIC 0.1U K 16V
C2556	303 396 9613	CERAMIC 1U K 25V		303 453 8610	CERAMIC 0.1U K 16V
	303 397 7618	CERAMIC 1U K 25V		303 409 3426	CERAMIC 0.1U K 16V
	403 478 5912	CERAMIC 1U K 25V	C2802	303 453 8917	CERAMIC 0.1U K 16V
C2557	303 396 9613	CERAMIC 1U K 25V		303 453 8610	CERAMIC 0.1U K 16V
	303 397 7618	CERAMIC 1U K 25V		303 409 3426	CERAMIC 0.1U K 16V
	403 478 5912	CERAMIC 1U K 25V	C2804	303 453 8917	CERAMIC 0.1U K 16V
C2558	303 396 9613	CERAMIC 1U K 25V		303 453 8610	CERAMIC 0.1U K 16V
	303 397 7618	CERAMIC 1U K 25V		303 409 3426	CERAMIC 0.1U K 16V
	403 478 5912	CERAMIC 1U K 25V	C2821	403 455 1012	CERAMIC 1U K 10V
C2559	303 398 4111	ELECT 47U M 16V		303 433 1112	CERAMIC 1U K 10V
	303 387 6515	ELECT 47U M 16V	C2822	303 398 4111	ELECT 47U M 16V
C2561	303 397 6611	ELECT 10U M 25V		303 387 6515	ELECT 47U M 16V
	303 387 6812	ELECT 10U M 25V	C2823	303 157 4215	CERAMIC 220P J 50V
C2562	403 467 0911	CERAMIC 0.1U K 25V		303 235 1013	CERAMIC 220P J 50V
C2581	403 467 0911	CERAMIC 0.1U K 25V	C301	303 453 8917	CERAMIC 0.1U K 16V
C2582	303 376 3112	ELECT 100U M 25V		303 453 8610	CERAMIC 0.1U K 16V
	303 374 7815	ELECT 100UM 25V		303 409 3426	CERAMIC 0.1U K 16V
	303 444 0111	ELECT 100U M 25V	C302	303 453 8917	CERAMIC 0.1U K 16V
C2583	403 467 0911	CERAMIC 0.1U K 25V		303 453 8610	CERAMIC 0.1U K 16V
C2584	303 376 3112	ELECT 100U M 25V		303 409 3426	CERAMIC 0.1U K 16V
	303 374 7815	ELECT 100UM 25V	C303	403 455 1012	CERAMIC 1U K 10V
	303 444 0111	ELECT 100U M 25V		303 433 1112	CERAMIC 1U K 10V
C2586	403 467 0911	CERAMIC 0.1U K 25V	C304	303 453 8917	CERAMIC 0.1U K 16V
C2587	303 396 9613	CERAMIC 1U K 25V		303 453 8610	CERAMIC 0.1U K 16V

Electrical Parts List

KK8-WXL20000

Key No.	Part No.	Description	Key No.	Part No.	Description
	303 433 1112	CERAMIC 1U K 10V	C382	303 453 8917	CERAMIC 0.1U K 16V
C363	303 453 8917	CERAMIC 0.1U K 16V		303 453 8610	CERAMIC 0.1U K 16V
	303 453 8610	CERAMIC 0.1U K 16V		303 409 3426	CERAMIC 0.1U K 16V
	303 409 3426	CERAMIC 0.1U K 16V	C383	303 453 8917	CERAMIC 0.1U K 16V
C364	403 455 1012	CERAMIC 1U K 10V		303 453 8610	CERAMIC 0.1U K 16V
	303 433 1112	CERAMIC 1U K 10V		303 409 3426	CERAMIC 0.1U K 16V
C366	303 453 8917	CERAMIC 0.1U K 16V	C384	303 453 8917	CERAMIC 0.1U K 16V
	303 453 8610	CERAMIC 0.1U K 16V		303 453 8610	CERAMIC 0.1U K 16V
	303 409 3426	CERAMIC 0.1U K 16V		303 409 3426	CERAMIC 0.1U K 16V
C367	403 455 1012	CERAMIC 1U K 10V	C385	303 453 8917	CERAMIC 0.1U K 16V
	303 433 1112	CERAMIC 1U K 10V		303 453 8610	CERAMIC 0.1U K 16V
C368	303 453 8917	CERAMIC 0.1U K 16V		303 409 3426	CERAMIC 0.1U K 16V
	303 453 8610	CERAMIC 0.1U K 16V	C3857	303 453 8917	CERAMIC 0.1U K 16V
	303 409 3426	CERAMIC 0.1U K 16V		303 453 8610	CERAMIC 0.1U K 16V
C369	403 455 1012	CERAMIC 1U K 10V		303 409 3426	CERAMIC 0.1U K 16V
	303 433 1112	CERAMIC 1U K 10V	C3858	303 358 3215	CERAMIC 10U K 6.3V
C371	303 453 8917	CERAMIC 0.1U K 16V		303 370 0018	CERAMIC 10U K 6.3V
	303 453 8610	CERAMIC 0.1U K 16V		303 368 7319	CERAMIC 10U K 6.3V
	303 409 3426	CERAMIC 0.1U K 16V	C3859	303 453 8917	CERAMIC 0.1U K 16V
C372	303 453 8917	CERAMIC 0.1U K 16V		303 453 8610	CERAMIC 0.1U K 16V
	303 453 8610	CERAMIC 0.1U K 16V		303 409 3426	CERAMIC 0.1U K 16V
	303 409 3426	CERAMIC 0.1U K 16V	C386	403 455 1012	CERAMIC 1U K 10V
C373	403 455 1012	CERAMIC 1U K 10V		303 433 1112	CERAMIC 1U K 10V
	303 433 1112	CERAMIC 1U K 10V	C3860	303 453 8917	CERAMIC 0.1U K 16V
C374	303 453 8917	CERAMIC 0.1U K 16V		303 453 8610	CERAMIC 0.1U K 16V
	303 453 8610	CERAMIC 0.1U K 16V		303 409 3426	CERAMIC 0.1U K 16V
	303 409 3426	CERAMIC 0.1U K 16V	C3861	303 453 8917	CERAMIC 0.1U K 16V
C375	303 453 8917	CERAMIC 0.1U K 16V		303 453 8610	CERAMIC 0.1U K 16V
	303 453 8610	CERAMIC 0.1U K 16V		303 409 3426	CERAMIC 0.1U K 16V
	303 409 3426	CERAMIC 0.1U K 16V	C387	303 453 8917	CERAMIC 0.1U K 16V
C376	303 453 8917	CERAMIC 0.1U K 16V		303 453 8610	CERAMIC 0.1U K 16V
	303 453 8610	CERAMIC 0.1U K 16V		303 409 3426	CERAMIC 0.1U K 16V
	303 409 3426	CERAMIC 0.1U K 16V	C388	303 453 8917	CERAMIC 0.1U K 16V
C377	403 455 1012	CERAMIC 1U K 10V		303 453 8610	CERAMIC 0.1U K 16V
	303 433 1112	CERAMIC 1U K 10V		303 409 3426	CERAMIC 0.1U K 16V
C378	303 453 8917	CERAMIC 0.1U K 16V	C389	303 453 8917	CERAMIC 0.1U K 16V
	303 453 8610	CERAMIC 0.1U K 16V		303 453 8610	CERAMIC 0.1U K 16V
	303 409 3426	CERAMIC 0.1U K 16V		303 409 3426	CERAMIC 0.1U K 16V
C379	303 453 8917	CERAMIC 0.1U K 16V	C391	303 453 8917	CERAMIC 0.1U K 16V
	303 453 8610	CERAMIC 0.1U K 16V		303 453 8610	CERAMIC 0.1U K 16V
	303 409 3426	CERAMIC 0.1U K 16V		303 409 3426	CERAMIC 0.1U K 16V
C380	303 453 8917	CERAMIC 0.1U K 16V	C392	303 453 8917	CERAMIC 0.1U K 16V
	303 453 8610	CERAMIC 0.1U K 16V		303 453 8610	CERAMIC 0.1U K 16V
	303 409 3426	CERAMIC 0.1U K 16V		303 409 3426	CERAMIC 0.1U K 16V
C3801	403 455 1012	CERAMIC 1U K 10V	C393	303 453 8917	CERAMIC 0.1U K 16V
	303 433 1112	CERAMIC 1U K 10V		303 453 8610	CERAMIC 0.1U K 16V
C3802	403 455 1012	CERAMIC 1U K 10V		303 409 3426	CERAMIC 0.1U K 16V
	303 433 1112	CERAMIC 1U K 10V	C394	403 455 1012	CERAMIC 1U K 10V
C3803	403 455 1012	CERAMIC 1U K 10V		303 433 1112	CERAMIC 1U K 10V
	303 433 1112	CERAMIC 1U K 10V	C395	303 453 8917	CERAMIC 0.1U K 16V
C3804	403 455 1012	CERAMIC 1U K 10V		303 453 8610	CERAMIC 0.1U K 16V
	303 433 1112	CERAMIC 1U K 10V		303 409 3426	CERAMIC 0.1U K 16V
C3806	403 455 1012	CERAMIC 1U K 10V	C396	303 453 8917	CERAMIC 0.1U K 16V
	303 433 1112	CERAMIC 1U K 10V		303 453 8610	CERAMIC 0.1U K 16V
C381	403 455 1012	CERAMIC 1U K 10V		303 409 3426	CERAMIC 0.1U K 16V
	303 433 1112	CERAMIC 1U K 10V	C397	303 453 8917	CERAMIC 0.1U K 16V

Electrical Parts List

KK8-WXL20000

Key No.	Part No.	Description	Key No.	Part No.	Description
	303 453 8610	CERAMIC 0.1U K 16V		303 433 1112	CERAMIC 1U K 10V
	303 409 3426	CERAMIC 0.1U K 16V	C433	403 455 1012	CERAMIC 1U K 10V
C398	303 453 8917	CERAMIC 0.1U K 16V		303 433 1112	CERAMIC 1U K 10V
	303 453 8610	CERAMIC 0.1U K 16V	C434	403 455 1012	CERAMIC 1U K 10V
	303 409 3426	CERAMIC 0.1U K 16V		303 433 1112	CERAMIC 1U K 10V
C399	303 453 8917	CERAMIC 0.1U K 16V	C436	403 455 1012	CERAMIC 1U K 10V
	303 453 8610	CERAMIC 0.1U K 16V		303 433 1112	CERAMIC 1U K 10V
	303 409 3426	CERAMIC 0.1U K 16V	C437	303 397 6611	ELECT 10U M 25V
C4011	403 467 0911	CERAMIC 0.1U K 25V		303 387 6812	ELECT 10U M 25V
C4012	403 467 0911	CERAMIC 0.1U K 25V	C438	403 455 1012	CERAMIC 1U K 10V
C404	403 455 1012	CERAMIC 1U K 10V		303 433 1112	CERAMIC 1U K 10V
	303 433 1112	CERAMIC 1U K 10V	C439	403 455 1012	CERAMIC 1U K 10V
C406	403 455 1012	CERAMIC 1U K 10V		303 433 1112	CERAMIC 1U K 10V
	303 433 1112	CERAMIC 1U K 10V	C441	403 455 1012	CERAMIC 1U K 10V
C407	403 455 1012	CERAMIC 1U K 10V		303 433 1112	CERAMIC 1U K 10V
	303 433 1112	CERAMIC 1U K 10V	C442	403 455 1012	CERAMIC 1U K 10V
C408	403 455 1012	CERAMIC 1U K 10V		303 433 1112	CERAMIC 1U K 10V
	303 433 1112	CERAMIC 1U K 10V	C443	403 455 1012	CERAMIC 1U K 10V
C409	403 455 1012	CERAMIC 1U K 10V		303 433 1112	CERAMIC 1U K 10V
	303 433 1112	CERAMIC 1U K 10V	C444	303 397 6611	ELECT 10U M 25V
C411	403 455 1012	CERAMIC 1U K 10V		303 387 6812	ELECT 10U M 25V
	303 433 1112	CERAMIC 1U K 10V	C446	403 455 1012	CERAMIC 1U K 10V
C412	403 455 1012	CERAMIC 1U K 10V		303 433 1112	CERAMIC 1U K 10V
	303 433 1112	CERAMIC 1U K 10V	C447	403 455 1012	CERAMIC 1U K 10V
C413	303 401 2219	ELECT 100U M 6.3V		303 433 1112	CERAMIC 1U K 10V
	303 424 0315	ELECT 100U M 6.3V	C448	403 455 1012	CERAMIC 1U K 10V
	403 458 7219	ELECT 100U M 6.3V		303 433 1112	CERAMIC 1U K 10V
C414	403 455 1012	CERAMIC 1U K 10V	C449	303 397 6611	ELECT 10U M 25V
	303 433 1112	CERAMIC 1U K 10V		303 387 6812	ELECT 10U M 25V
C416	403 455 1012	CERAMIC 1U K 10V	C451	403 455 1012	CERAMIC 1U K 10V
	303 433 1112	CERAMIC 1U K 10V		303 433 1112	CERAMIC 1U K 10V
C417	403 455 1012	CERAMIC 1U K 10V	C452	403 455 1012	CERAMIC 1U K 10V
	303 433 1112	CERAMIC 1U K 10V		303 433 1112	CERAMIC 1U K 10V
C418	403 455 1012	CERAMIC 1U K 10V	C453	403 455 1012	CERAMIC 1U K 10V
	303 433 1112	CERAMIC 1U K 10V		303 433 1112	CERAMIC 1U K 10V
C419	403 455 1012	CERAMIC 1U K 10V	C454	403 455 1012	CERAMIC 1U K 10V
	303 433 1112	CERAMIC 1U K 10V		303 433 1112	CERAMIC 1U K 10V
C421	303 397 6611	ELECT 10U M 25V	C456	303 401 2219	ELECT 100U M 6.3V
	303 387 6812	ELECT 10U M 25V		303 424 0315	ELECT 100U M 6.3V
C422	403 455 1012	CERAMIC 1U K 10V		403 458 7219	ELECT 100U M 6.3V
	303 433 1112	CERAMIC 1U K 10V	C457	403 455 1012	CERAMIC 1U K 10V
C423	403 455 1012	CERAMIC 1U K 10V		303 433 1112	CERAMIC 1U K 10V
	303 433 1112	CERAMIC 1U K 10V	C458	403 455 1012	CERAMIC 1U K 10V
C424	403 455 1012	CERAMIC 1U K 10V		303 433 1112	CERAMIC 1U K 10V
	303 433 1112	CERAMIC 1U K 10V	C459	403 455 1012	CERAMIC 1U K 10V
C426	403 455 1012	CERAMIC 1U K 10V		303 433 1112	CERAMIC 1U K 10V
	303 433 1112	CERAMIC 1U K 10V	C461	403 455 1012	CERAMIC 1U K 10V
C427	403 455 1012	CERAMIC 1U K 10V		303 433 1112	CERAMIC 1U K 10V
	303 433 1112	CERAMIC 1U K 10V	C462	403 455 1012	CERAMIC 1U K 10V
C428	303 397 6611	ELECT 10U M 25V		303 433 1112	CERAMIC 1U K 10V
	303 387 6812	ELECT 10U M 25V	C463	403 455 1012	CERAMIC 1U K 10V
C429	403 455 1012	CERAMIC 1U K 10V		303 433 1112	CERAMIC 1U K 10V
	303 433 1112	CERAMIC 1U K 10V	C464	403 455 1012	CERAMIC 1U K 10V
C431	303 397 6611	ELECT 10U M 25V		303 433 1112	CERAMIC 1U K 10V
	303 387 6812	ELECT 10U M 25V	C466	403 455 1012	CERAMIC 1U K 10V
C432	403 455 1012	CERAMIC 1U K 10V		303 433 1112	CERAMIC 1U K 10V

Electrical Parts List

KK8-WXL20000

Key No.	Part No.	Description	Key No.	Part No.	Description
C467	403 455 1012	CERAMIC 1U K 10V		303 370 0018	CERAMIC 10U K 6.3V
	303 433 1112	CERAMIC 1U K 10V		303 368 7319	CERAMIC 10U K 6.3V
C468	403 455 1012	CERAMIC 1U K 10V	C4826	303 453 8917	CERAMIC 0.1U K 16V
	303 433 1112	CERAMIC 1U K 10V		303 453 8610	CERAMIC 0.1U K 16V
C469	403 455 1012	CERAMIC 1U K 10V		303 409 3426	CERAMIC 0.1U K 16V
	303 433 1112	CERAMIC 1U K 10V	C4827	303 453 8917	CERAMIC 0.1U K 16V
C471	303 397 6611	ELECT 10U M 25V		303 453 8610	CERAMIC 0.1U K 16V
	303 387 6812	ELECT 10U M 25V		303 409 3426	CERAMIC 0.1U K 16V
C4711	303 453 8917	CERAMIC 0.1U K 16V	C4828	303 453 8917	CERAMIC 0.1U K 16V
	303 453 8610	CERAMIC 0.1U K 16V		303 453 8610	CERAMIC 0.1U K 16V
	303 409 3426	CERAMIC 0.1U K 16V		303 409 3426	CERAMIC 0.1U K 16V
C472	403 455 1012	CERAMIC 1U K 10V	C4829	303 453 8917	CERAMIC 0.1U K 16V
	303 433 1112	CERAMIC 1U K 10V		303 453 8610	CERAMIC 0.1U K 16V
C473	403 455 1012	CERAMIC 1U K 10V		303 409 3426	CERAMIC 0.1U K 16V
	303 433 1112	CERAMIC 1U K 10V	C4831	303 453 8917	CERAMIC 0.1U K 16V
C474	303 401 2219	ELECT 100U M 6.3V		303 453 8610	CERAMIC 0.1U K 16V
	303 424 0315	ELECT 100U M 6.3V		303 409 3426	CERAMIC 0.1U K 16V
	403 458 7219	ELECT 100U M 6.3V	C4832	303 381 5316	ELECT 100U M 16V
C476	403 455 1012	CERAMIC 1U K 10V		303 369 3211	ELECT 100U M 16V
	303 433 1112	CERAMIC 1U K 10V		403 458 7615	ELECT 100U M 16V
C477	403 455 1012	CERAMIC 1U K 10V	C4834	303 453 8917	CERAMIC 0.1U K 16V
	303 433 1112	CERAMIC 1U K 10V		303 453 8610	CERAMIC 0.1U K 16V
C478	403 455 1012	CERAMIC 1U K 10V		303 409 3426	CERAMIC 0.1U K 16V
	303 433 1112	CERAMIC 1U K 10V	C501	303 398 4111	ELECT 47U M 16V
C479	303 397 6611	ELECT 10U M 25V		303 387 6515	ELECT 47U M 16V
	303 387 6812	ELECT 10U M 25V	C502	403 455 1012	CERAMIC 1U K 10V
C4801	303 381 5316	ELECT 100U M 16V		303 433 1112	CERAMIC 1U K 10V
	303 369 3211	ELECT 100U M 16V	C503	303 396 9613	CERAMIC 1U K 25V
	403 458 7615	ELECT 100U M 16V		303 397 7618	CERAMIC 1U K 25V
C4802	303 314 5314	CERAMIC 5P C 50V		403 478 5912	CERAMIC 1U K 25V
C4803	303 314 5314	CERAMIC 5P C 50V	C5037	303 372 7510	CERAMIC 2.2U K 6.3V
C4808	303 453 8917	CERAMIC 0.1U K 16V		303 370 0216	CERAMIC 2.2U K 6.3V
	303 453 8610	CERAMIC 0.1U K 16V	C5038	403 455 1012	CERAMIC 1U K 10V
	303 409 3426	CERAMIC 0.1U K 16V		303 433 1112	CERAMIC 1U K 10V
C4809	303 453 8917	CERAMIC 0.1U K 16V	C5039	303 454 0613	CERAMIC 10000P K 50V
	303 453 8610	CERAMIC 0.1U K 16V		303 441 9810	CERAMIC 0.01U K 50V
	303 409 3426	CERAMIC 0.1U K 16V	C504	303 396 9613	CERAMIC 1U K 25V
C4811	303 453 8917	CERAMIC 0.1U K 16V		303 397 7618	CERAMIC 1U K 25V
	303 453 8610	CERAMIC 0.1U K 16V		403 478 5912	CERAMIC 1U K 25V
	303 409 3426	CERAMIC 0.1U K 16V	C5041	303 396 9613	CERAMIC 1U K 25V
C4812	303 453 8917	CERAMIC 0.1U K 16V		303 397 7618	CERAMIC 1U K 25V
	303 453 8610	CERAMIC 0.1U K 16V		403 478 5912	CERAMIC 1U K 25V
	303 409 3426	CERAMIC 0.1U K 16V	C505	403 455 1012	CERAMIC 1U K 10V
C4821	303 453 8917	CERAMIC 0.1U K 16V		303 433 1112	CERAMIC 1U K 10V
	303 453 8610	CERAMIC 0.1U K 16V	C506	303 376 3112	ELECT 100U M 25V
	303 409 3426	CERAMIC 0.1U K 16V		303 374 7815	ELECT 100UM 25V
C4822	303 453 8917	CERAMIC 0.1U K 16V		303 444 0111	ELECT 100U M 25V
	303 453 8610	CERAMIC 0.1U K 16V	C507	303 396 9613	CERAMIC 1U K 25V
	303 409 3426	CERAMIC 0.1U K 16V		303 397 7618	CERAMIC 1U K 25V
C4823	303 453 8917	CERAMIC 0.1U K 16V		403 478 5912	CERAMIC 1U K 25V
	303 453 8610	CERAMIC 0.1U K 16V	C508	303 396 9613	CERAMIC 1U K 25V
	303 409 3426	CERAMIC 0.1U K 16V		303 397 7618	CERAMIC 1U K 25V
C4824	303 453 8917	CERAMIC 0.1U K 16V		403 478 5912	CERAMIC 1U K 25V
	303 453 8610	CERAMIC 0.1U K 16V	C509	303 396 9613	CERAMIC 1U K 25V
	303 409 3426	CERAMIC 0.1U K 16V		303 397 7618	CERAMIC 1U K 25V
C4825	303 358 3215	CERAMIC 10U K 6.3V		403 478 5912	CERAMIC 1U K 25V

Electrical Parts List

KK8-WXL20000

Key No.	Part No.	Description	Key No.	Part No.	Description
C511	303 396 9613	CERAMIC 1U K 25V	C5222	303 453 8917	CERAMIC 0.1U K 16V
	303 397 7618	CERAMIC 1U K 25V		303 453 8610	CERAMIC 0.1U K 16V
	403 478 5912	CERAMIC 1U K 25V		303 409 3426	CERAMIC 0.1U K 16V
C512	303 453 8719	CERAMIC 470P K 50V	C5225	303 453 8917	CERAMIC 0.1U K 16V
	303 453 9211	CERAMIC 470P K 50V		303 453 8610	CERAMIC 0.1U K 16V
	303 282 5118	CERAMIC 470P K 50V		303 409 3426	CERAMIC 0.1U K 16V
C513	303 396 9613	CERAMIC 1U K 25V	C5226	303 453 8917	CERAMIC 0.1U K 16V
	303 397 7618	CERAMIC 1U K 25V		303 453 8610	CERAMIC 0.1U K 16V
	403 478 5912	CERAMIC 1U K 25V		303 409 3426	CERAMIC 0.1U K 16V
C514	303 376 3112	ELECT 100U M 25V	C5228	303 453 8917	CERAMIC 0.1U K 16V
	303 374 7815	ELECT 100UM 25V		303 453 8610	CERAMIC 0.1U K 16V
	303 444 0111	ELECT 100U M 25V		303 409 3426	CERAMIC 0.1U K 16V
C516	303 396 9613	CERAMIC 1U K 25V	C5229	303 453 8917	CERAMIC 0.1U K 16V
	303 397 7618	CERAMIC 1U K 25V		303 453 8610	CERAMIC 0.1U K 16V
	403 478 5912	CERAMIC 1U K 25V		303 409 3426	CERAMIC 0.1U K 16V
C517	303 396 9613	CERAMIC 1U K 25V	C5230	303 453 8917	CERAMIC 0.1U K 16V
	303 397 7618	CERAMIC 1U K 25V		303 453 8610	CERAMIC 0.1U K 16V
	403 478 5912	CERAMIC 1U K 25V		303 409 3426	CERAMIC 0.1U K 16V
C518	403 455 1012	CERAMIC 1U K 10V	C5231	303 453 8917	CERAMIC 0.1U K 16V
	303 433 1112	CERAMIC 1U K 10V		303 453 8610	CERAMIC 0.1U K 16V
C5202	303 453 8917	CERAMIC 0.1U K 16V	C5232	303 409 3426	CERAMIC 0.1U K 16V
	303 453 8610	CERAMIC 0.1U K 16V		303 453 8917	CERAMIC 0.1U K 16V
	303 409 3426	CERAMIC 0.1U K 16V		303 453 8610	CERAMIC 0.1U K 16V
C5203	303 381 5613	ELECT 220U M 16V	C5233	303 409 3426	CERAMIC 0.1U K 16V
	303 423 8916	ELECT 220U M 16V		303 453 8917	CERAMIC 0.1U K 16V
	403 458 4812	ELECT 220U M 16V		303 453 8610	CERAMIC 0.1U K 16V
C5204	303 453 8917	CERAMIC 0.1U K 16V	C5234	303 409 3426	CERAMIC 0.1U K 16V
	303 453 8610	CERAMIC 0.1U K 16V		303 453 8917	CERAMIC 0.1U K 16V
	303 409 3426	CERAMIC 0.1U K 16V		303 453 8610	CERAMIC 0.1U K 16V
C5205	303 381 5613	ELECT 220U M 16V	C5235	303 409 3426	CERAMIC 0.1U K 16V
	303 423 8916	ELECT 220U M 16V		303 453 8917	CERAMIC 0.1U K 16V
	403 458 4812	ELECT 220U M 16V		303 453 8610	CERAMIC 0.1U K 16V
C5207	303 381 5613	ELECT 220U M 16V	C5236	303 409 3426	CERAMIC 0.1U K 16V
	303 423 8916	ELECT 220U M 16V		303 453 8917	CERAMIC 0.1U K 16V
	403 458 4812	ELECT 220U M 16V		303 453 8610	CERAMIC 0.1U K 16V
C5208	303 453 8917	CERAMIC 0.1U K 16V	C5237	303 409 3426	CERAMIC 0.1U K 16V
	303 453 8610	CERAMIC 0.1U K 16V		303 453 8917	CERAMIC 0.1U K 16V
	303 409 3426	CERAMIC 0.1U K 16V		303 453 8610	CERAMIC 0.1U K 16V
C5209	303 381 5613	ELECT 220U M 16V	C5238	303 409 3426	CERAMIC 0.1U K 16V
	303 423 8916	ELECT 220U M 16V		303 453 8917	CERAMIC 0.1U K 16V
	403 458 4812	ELECT 220U M 16V		303 453 8610	CERAMIC 0.1U K 16V
C5215	303 453 8917	CERAMIC 0.1U K 16V	C5239	303 409 3426	CERAMIC 0.1U K 16V
	303 453 8610	CERAMIC 0.1U K 16V		303 453 8917	CERAMIC 0.1U K 16V
	303 409 3426	CERAMIC 0.1U K 16V		303 453 8610	CERAMIC 0.1U K 16V
C5217	303 453 8917	CERAMIC 0.1U K 16V	C5241	303 409 3426	CERAMIC 0.1U K 16V
	303 453 8610	CERAMIC 0.1U K 16V		303 453 8917	CERAMIC 0.1U K 16V
	303 409 3426	CERAMIC 0.1U K 16V		303 453 8610	CERAMIC 0.1U K 16V
C5219	303 453 8917	CERAMIC 0.1U K 16V	C5242	303 409 3426	CERAMIC 0.1U K 16V
	303 453 8610	CERAMIC 0.1U K 16V		303 453 8917	CERAMIC 0.1U K 16V
	303 409 3426	CERAMIC 0.1U K 16V		303 453 8610	CERAMIC 0.1U K 16V
C5220	303 453 8917	CERAMIC 0.1U K 16V	C5243	303 409 3426	CERAMIC 0.1U K 16V
	303 453 8610	CERAMIC 0.1U K 16V		303 453 8917	CERAMIC 0.1U K 16V
	303 409 3426	CERAMIC 0.1U K 16V		303 453 8610	CERAMIC 0.1U K 16V
C5221	303 453 8917	CERAMIC 0.1U K 16V	C5244	303 409 3426	CERAMIC 0.1U K 16V
	303 453 8610	CERAMIC 0.1U K 16V		303 453 8917	CERAMIC 0.1U K 16V
	303 409 3426	CERAMIC 0.1U K 16V			

Electrical Parts List

KK8-WXL20000

Key No.	Part No.	Description	Key No.	Part No.	Description
	303 453 8610	CERAMIC 0.1U K 16V		403 458 4812	ELECT 220U M 16V
	303 409 3426	CERAMIC 0.1U K 16V	C5274	303 381 5613	ELECT 220U M 16V
C5245	303 453 8917	CERAMIC 0.1U K 16V		303 423 8916	ELECT 220U M 16V
	303 453 8610	CERAMIC 0.1U K 16V		403 458 4812	ELECT 220U M 16V
	303 409 3426	CERAMIC 0.1U K 16V	C5275	303 381 5613	ELECT 220U M 16V
C5246	303 453 8917	CERAMIC 0.1U K 16V		303 423 8916	ELECT 220U M 16V
	303 453 8610	CERAMIC 0.1U K 16V		403 458 4812	ELECT 220U M 16V
	303 409 3426	CERAMIC 0.1U K 16V	C5276	303 453 8917	CERAMIC 0.1U K 16V
C5247	303 453 8917	CERAMIC 0.1U K 16V		303 453 8610	CERAMIC 0.1U K 16V
	303 453 8610	CERAMIC 0.1U K 16V		303 409 3426	CERAMIC 0.1U K 16V
	303 409 3426	CERAMIC 0.1U K 16V	C5277	303 453 8511	CERAMIC 1000P K 50V
C5248	303 453 8917	CERAMIC 0.1U K 16V		303 454 1214	CERAMIC 1000P K 50V
	303 453 8610	CERAMIC 0.1U K 16V		303 276 1317	CERAMIC 1000P K 50V
	303 409 3426	CERAMIC 0.1U K 16V	C5278	403 455 1012	CERAMIC 1U K 10V
C5249	303 453 8917	CERAMIC 0.1U K 16V		303 433 1112	CERAMIC 1U K 10V
	303 453 8610	CERAMIC 0.1U K 16V	C5279	403 455 1012	CERAMIC 1U K 10V
	303 409 3426	CERAMIC 0.1U K 16V		303 433 1112	CERAMIC 1U K 10V
C5252	303 453 8917	CERAMIC 0.1U K 16V	C5281	303 453 8917	CERAMIC 0.1U K 16V
	303 453 8610	CERAMIC 0.1U K 16V		303 453 8610	CERAMIC 0.1U K 16V
	303 409 3426	CERAMIC 0.1U K 16V		303 409 3426	CERAMIC 0.1U K 16V
C5254	303 381 5613	ELECT 220U M 16V	C5282	303 453 8917	CERAMIC 0.1U K 16V
	303 423 8916	ELECT 220U M 16V		303 453 8610	CERAMIC 0.1U K 16V
	403 458 4812	ELECT 220U M 16V		303 409 3426	CERAMIC 0.1U K 16V
C5255	303 453 8917	CERAMIC 0.1U K 16V	C5283	303 453 8917	CERAMIC 0.1U K 16V
	303 453 8610	CERAMIC 0.1U K 16V		303 453 8610	CERAMIC 0.1U K 16V
	303 409 3426	CERAMIC 0.1U K 16V		303 409 3426	CERAMIC 0.1U K 16V
C5261	303 401 2219	ELECT 100U M 6.3V	C5284	303 453 8917	CERAMIC 0.1U K 16V
	303 424 0315	ELECT 100U M 6.3V		303 453 8610	CERAMIC 0.1U K 16V
	403 458 7219	ELECT 100U M 6.3V		303 409 3426	CERAMIC 0.1U K 16V
C5262	303 401 2219	ELECT 100U M 6.3V	C5291	403 455 1012	CERAMIC 1U K 10V
	303 424 0315	ELECT 100U M 6.3V		303 433 1112	CERAMIC 1U K 10V
	403 458 7219	ELECT 100U M 6.3V	C5292	303 358 3215	CERAMIC 10U K 6.3V
C5263	303 453 8917	CERAMIC 0.1U K 16V		303 370 0018	CERAMIC 10U K 6.3V
	303 453 8610	CERAMIC 0.1U K 16V		303 368 7319	CERAMIC 10U K 6.3V
	303 409 3426	CERAMIC 0.1U K 16V	C5293	403 455 1012	CERAMIC 1U K 10V
C5264	303 453 8511	CERAMIC 1000P K 50V		303 433 1112	CERAMIC 1U K 10V
	303 454 1214	CERAMIC 1000P K 50V	C5294	303 381 5316	ELECT 100U M 16V
	303 276 1317	CERAMIC 1000P K 50V		303 369 3211	ELECT 100U M 16V
C5265	403 455 1012	CERAMIC 1U K 10V		403 458 7615	ELECT 100U M 16V
	303 433 1112	CERAMIC 1U K 10V	C5301	303 453 8917	CERAMIC 0.1U K 16V
C5266	403 455 1012	CERAMIC 1U K 10V		303 453 8610	CERAMIC 0.1U K 16V
	303 433 1112	CERAMIC 1U K 10V		303 409 3426	CERAMIC 0.1U K 16V
C5267	303 453 8917	CERAMIC 0.1U K 16V	C531	303 398 4111	ELECT 47U M 16V
	303 453 8610	CERAMIC 0.1U K 16V		303 387 6515	ELECT 47U M 16V
	303 409 3426	CERAMIC 0.1U K 16V	C532	403 455 1012	CERAMIC 1U K 10V
C5268	303 453 8917	CERAMIC 0.1U K 16V		303 433 1112	CERAMIC 1U K 10V
	303 453 8610	CERAMIC 0.1U K 16V	C533	303 396 9613	CERAMIC 1U K 25V
	303 409 3426	CERAMIC 0.1U K 16V		303 397 7618	CERAMIC 1U K 25V
C5271	303 401 2219	ELECT 100U M 6.3V		403 478 5912	CERAMIC 1U K 25V
	303 424 0315	ELECT 100U M 6.3V	C5333	303 336 3510	CERAMIC 0.47U K 16V
	403 458 7219	ELECT 100U M 6.3V	C534	303 396 9613	CERAMIC 1U K 25V
C5272	303 401 2219	ELECT 100U M 6.3V		303 397 7618	CERAMIC 1U K 25V
	303 424 0315	ELECT 100U M 6.3V		403 478 5912	CERAMIC 1U K 25V
	403 458 7219	ELECT 100U M 6.3V	C535	403 455 1012	CERAMIC 1U K 10V
C5273	303 381 5613	ELECT 220U M 16V		303 433 1112	CERAMIC 1U K 10V
	303 423 8916	ELECT 220U M 16V	C536	303 376 3112	ELECT 100U M 25V

Electrical Parts List

KK8-WXL20000

Key No.	Part No.	Description	Key No.	Part No.	Description
	303 374 7815	ELECT 100UM 25V		303 453 8610	CERAMIC 0.1U K 16V
	303 444 0111	ELECT 100U M 25V		303 409 3426	CERAMIC 0.1U K 16V
C537	303 396 9613	CERAMIC 1U K 25V	C5546	303 453 8917	CERAMIC 0.1U K 16V
	303 397 7618	CERAMIC 1U K 25V		303 453 8610	CERAMIC 0.1U K 16V
	403 478 5912	CERAMIC 1U K 25V		303 409 3426	CERAMIC 0.1U K 16V
C538	303 396 9613	CERAMIC 1U K 25V	C5547	303 453 8917	CERAMIC 0.1U K 16V
	303 397 7618	CERAMIC 1U K 25V		303 453 8610	CERAMIC 0.1U K 16V
	403 478 5912	CERAMIC 1U K 25V		303 409 3426	CERAMIC 0.1U K 16V
C539	303 396 9613	CERAMIC 1U K 25V	C5548	303 453 8917	CERAMIC 0.1U K 16V
	303 397 7618	CERAMIC 1U K 25V		303 453 8610	CERAMIC 0.1U K 16V
	403 478 5912	CERAMIC 1U K 25V		303 409 3426	CERAMIC 0.1U K 16V
C541	303 396 9613	CERAMIC 1U K 25V	C5549	303 453 8917	CERAMIC 0.1U K 16V
	303 397 7618	CERAMIC 1U K 25V		303 453 8610	CERAMIC 0.1U K 16V
	403 478 5912	CERAMIC 1U K 25V		303 409 3426	CERAMIC 0.1U K 16V
C542	303 453 8719	CERAMIC 470P K 50V	C5550	303 453 8917	CERAMIC 0.1U K 16V
	303 453 9211	CERAMIC 470P K 50V		303 453 8610	CERAMIC 0.1U K 16V
	303 282 5118	CERAMIC 470P K 50V		303 409 3426	CERAMIC 0.1U K 16V
C543	303 396 9613	CERAMIC 1U K 25V	C5551	303 453 8917	CERAMIC 0.1U K 16V
	303 397 7618	CERAMIC 1U K 25V		303 453 8610	CERAMIC 0.1U K 16V
	403 478 5912	CERAMIC 1U K 25V		303 409 3426	CERAMIC 0.1U K 16V
C544	303 376 3112	ELECT 100U M 25V	C5552	303 453 8917	CERAMIC 0.1U K 16V
	303 374 7815	ELECT 100UM 25V		303 453 8610	CERAMIC 0.1U K 16V
	303 444 0111	ELECT 100U M 25V		303 409 3426	CERAMIC 0.1U K 16V
C546	303 396 9613	CERAMIC 1U K 25V	C5561	303 453 8917	CERAMIC 0.1U K 16V
	303 397 7618	CERAMIC 1U K 25V		303 453 8610	CERAMIC 0.1U K 16V
	403 478 5912	CERAMIC 1U K 25V		303 409 3426	CERAMIC 0.1U K 16V
C547	303 396 9613	CERAMIC 1U K 25V	C5562	303 454 0613	CERAMIC 10000P K 50V
	303 397 7618	CERAMIC 1U K 25V		303 441 9810	CERAMIC 0.01U K 50V
	403 478 5912	CERAMIC 1U K 25V	C5565	303 453 8917	CERAMIC 0.1U K 16V
C548	403 455 1012	CERAMIC 1U K 10V		303 453 8610	CERAMIC 0.1U K 16V
	303 433 1112	CERAMIC 1U K 10V		303 409 3426	CERAMIC 0.1U K 16V
C5501	303 453 8917	CERAMIC 0.1U K 16V	C5567	403 455 1012	CERAMIC 1U K 10V
	303 453 8610	CERAMIC 0.1U K 16V		303 433 1112	CERAMIC 1U K 10V
	303 409 3426	CERAMIC 0.1U K 16V	C561	303 398 4111	ELECT 47U M 16V
C5502	303 454 0613	CERAMIC 10000P K 50V		303 387 6515	ELECT 47U M 16V
	303 441 9810	CERAMIC 0.01U K 50V	C562	403 455 1012	CERAMIC 1U K 10V
C5521	303 453 8917	CERAMIC 0.1U K 16V		303 433 1112	CERAMIC 1U K 10V
	303 453 8610	CERAMIC 0.1U K 16V	C5627	303 453 8917	CERAMIC 0.1U K 16V
	303 409 3426	CERAMIC 0.1U K 16V		303 453 8610	CERAMIC 0.1U K 16V
C5522	303 454 0613	CERAMIC 10000P K 50V		303 409 3426	CERAMIC 0.1U K 16V
	303 441 9810	CERAMIC 0.01U K 50V	C5628	303 401 2219	ELECT 100U M 6.3V
C5531	303 437 4614	CERAMIC 10U K 25V		303 424 0315	ELECT 100U M 6.3V
C5532	403 467 0911	CERAMIC 0.1U K 25V		403 458 7219	ELECT 100U M 6.3V
C5534	303 398 4111	ELECT 47U M 16V	C563	303 396 9613	CERAMIC 1U K 25V
	303 387 6515	ELECT 47U M 16V		303 397 7618	CERAMIC 1U K 25V
C5541	403 455 1616	CERAMIC 10U K 16V		403 478 5912	CERAMIC 1U K 25V
	403 478 5813	CERAMIC 10U K 16V	C5636	303 401 2219	ELECT 100U M 6.3V
C5542	303 376 3112	ELECT 100U M 25V		303 424 0315	ELECT 100U M 6.3V
	303 374 7815	ELECT 100UM 25V		403 458 7219	ELECT 100U M 6.3V
	303 444 0111	ELECT 100U M 25V	C5637	303 453 8917	CERAMIC 0.1U K 16V
C5543	303 454 0613	CERAMIC 10000P K 50V		303 453 8610	CERAMIC 0.1U K 16V
	303 441 9810	CERAMIC 0.01U K 50V		303 409 3426	CERAMIC 0.1U K 16V
C5544	303 376 3112	ELECT 100U M 25V	C564	303 396 9613	CERAMIC 1U K 25V
	303 374 7815	ELECT 100UM 25V		303 397 7618	CERAMIC 1U K 25V
	303 444 0111	ELECT 100U M 25V		403 478 5912	CERAMIC 1U K 25V
C5545	303 453 8917	CERAMIC 0.1U K 16V	C565	403 455 1012	CERAMIC 1U K 10V

Electrical Parts List

KK8-WXL20000

Key No.	Part No.	Description	Key No.	Part No.	Description
	303 433 1112	CERAMIC 1U K 10V	C5823	303 454 0613	CERAMIC 10000P K 50V
C566	303 376 3112	ELECT 100U M 25V		303 441 9810	CERAMIC 0.01U K 50V
	303 374 7815	ELECT 100UM 25V	C5824	403 455 1616	CERAMIC 10U K 16V
	303 444 0111	ELECT 100U M 25V		403 478 5813	CERAMIC 10U K 16V
C567	303 396 9613	CERAMIC 1U K 25V	C5825	303 381 5316	ELECT 100U M 16V
	303 397 7618	CERAMIC 1U K 25V		303 369 3211	ELECT 100U M 16V
	403 478 5912	CERAMIC 1U K 25V	C5826	303 454 0613	CERAMIC 10000P K 50V
C568	303 396 9613	CERAMIC 1U K 25V		303 441 9810	CERAMIC 0.01U K 50V
	303 397 7618	CERAMIC 1U K 25V	C5827	303 392 5015	CERAMIC 22U M 6.3V
	403 478 5912	CERAMIC 1U K 25V		303 443 9214	CERAMIC 22U M 6.3V
C5683	303 358 3215	CERAMIC 10U K 6.3V	C5828	403 462 2910	EP-ELECT 330U M 4V
	303 370 0018	CERAMIC 10U K 6.3V		404 122 8706	EP-ELECT 330U M 4V
	303 368 7319	CERAMIC 10U K 6.3V	C5831	403 455 1012	CERAMIC 1U K 10V
C569	303 396 9613	CERAMIC 1U K 25V		303 433 1112	CERAMIC 1U K 10V
	303 397 7618	CERAMIC 1U K 25V	C5841	303 453 8917	CERAMIC 0.1U K 16V
	403 478 5912	CERAMIC 1U K 25V		303 453 8610	CERAMIC 0.1U K 16V
C571	303 396 9613	CERAMIC 1U K 25V		303 409 3426	CERAMIC 0.1U K 16V
	303 397 7618	CERAMIC 1U K 25V	C5842	303 424 7017	CERAMIC 0.047U K 25V
	403 478 5912	CERAMIC 1U K 25V	C5843	303 157 7216	CERAMIC 3900P K 50V
C572	303 453 8719	CERAMIC 470P K 50V		303 235 5615	CERAMIC 3900P K 50V
	303 453 9211	CERAMIC 470P K 50V	C5844	403 455 1616	CERAMIC 10U K 16V
	303 282 5118	CERAMIC 470P K 50V		403 478 5813	CERAMIC 10U K 16V
C573	303 396 9613	CERAMIC 1U K 25V	C5845	303 381 5316	ELECT 100U M 16V
	303 397 7618	CERAMIC 1U K 25V		303 369 3211	ELECT 100U M 16V
	403 478 5912	CERAMIC 1U K 25V		403 458 7615	ELECT 100U M 16V
C574	303 376 3112	ELECT 100U M 25V	C5846	303 157 7216	CERAMIC 3900P K 50V
	303 374 7815	ELECT 100UM 25V		303 235 5615	CERAMIC 3900P K 50V
	303 444 0111	ELECT 100U M 25V	C5847	303 392 5015	CERAMIC 22U M 6.3V
C5752	303 396 9514	CERAMIC 2.2U K 10V		303 443 9214	CERAMIC 22U M 6.3V
	303 382 7814	CERAMIC 2.2U K 10V	C5848	303 381 5613	ELECT 220U M 16V
C576	303 396 9613	CERAMIC 1U K 25V		303 423 8916	ELECT 220U M 16V
	303 397 7618	CERAMIC 1U K 25V		403 458 4812	ELECT 220U M 16V
	403 478 5912	CERAMIC 1U K 25V	C5849	303 453 8917	CERAMIC 0.1U K 16V
C577	303 396 9613	CERAMIC 1U K 25V		303 453 8610	CERAMIC 0.1U K 16V
	303 397 7618	CERAMIC 1U K 25V		303 409 3426	CERAMIC 0.1U K 16V
	403 478 5912	CERAMIC 1U K 25V	C5851	303 453 8917	CERAMIC 0.1U K 16V
C578	403 455 1012	CERAMIC 1U K 10V		303 453 8610	CERAMIC 0.1U K 16V
	303 433 1112	CERAMIC 1U K 10V		303 409 3426	CERAMIC 0.1U K 16V
C5801	303 453 8917	CERAMIC 0.1U K 16V	C5853	403 455 1012	CERAMIC 1U K 10V
	303 453 8610	CERAMIC 0.1U K 16V		303 433 1112	CERAMIC 1U K 10V
	303 409 3426	CERAMIC 0.1U K 16V	C5854	303 381 5613	ELECT 220U M 16V
C5802	303 453 7217	CERAMIC 47P J 50V		303 423 8916	ELECT 220U M 16V
	303 454 1610	CERAMIC 47P J 50V		403 458 4812	ELECT 220U M 16V
	303 305 8812	CERAMIC 47P J 50V	C5855	303 453 8917	CERAMIC 0.1U K 16V
C5803	303 453 7217	CERAMIC 47P J 50V		303 453 8610	CERAMIC 0.1U K 16V
	303 454 1610	CERAMIC 47P J 50V		303 409 3426	CERAMIC 0.1U K 16V
	303 305 8812	CERAMIC 47P J 50V	C5856	303 453 8917	CERAMIC 0.1U K 16V
C5808	303 453 8917	CERAMIC 0.1U K 16V		303 453 8610	CERAMIC 0.1U K 16V
	303 453 8610	CERAMIC 0.1U K 16V		303 409 3426	CERAMIC 0.1U K 16V
	303 409 3426	CERAMIC 0.1U K 16V	C5857	303 453 8917	CERAMIC 0.1U K 16V
C5809	303 453 8917	CERAMIC 0.1U K 16V		303 453 8610	CERAMIC 0.1U K 16V
	303 453 8610	CERAMIC 0.1U K 16V		303 409 3426	CERAMIC 0.1U K 16V
	303 409 3426	CERAMIC 0.1U K 16V	C5858	303 398 4111	ELECT 47U M 16V
C5821	303 454 0613	CERAMIC 10000P K 50V		303 387 6515	ELECT 47U M 16V
	303 441 9810	CERAMIC 0.01U K 50V	C5860	303 453 8917	CERAMIC 0.1U K 16V
C5822	303 157 7018	CERAMIC 1800P K 50V		303 453 8610	CERAMIC 0.1U K 16V

Electrical Parts List

KK8-WXL20000

Key No.	Part No.	Description	Key No.	Part No.	Description
	303 409 3426	CERAMIC 0.1U K 16V		303 409 3426	CERAMIC 0.1U K 16V
C5861	303 454 0415	CERAMIC 0.068U K 16V	C6502	303 454 0613	CERAMIC 10000P K 50V
	303 442 0519	CERAMIC 0.068U K 16V		303 441 9810	CERAMIC 0.01U K 50V
C5862	303 453 9518	CERAMIC 3300P K 50V	C6505	303 396 9613	CERAMIC 1U K 25V
	303 279 5114	CERAMIC 3300P K 50V		303 397 7618	CERAMIC 1U K 25V
C5864	403 455 1616	CERAMIC 10U K 16V		403 478 5912	CERAMIC 1U K 25V
	403 478 5813	CERAMIC 10U K 16V	C6521	403 467 0911	CERAMIC 0.1U K 25V
C5866	303 381 5316	ELECT 100U M 16V	C6522	303 454 0613	CERAMIC 10000P K 50V
	303 369 3211	ELECT 100U M 16V		303 441 9810	CERAMIC 0.01U K 50V
	403 458 7615	ELECT 100U M 16V	C6541	303 453 8917	CERAMIC 0.1U K 16V
C5867	303 392 5015	CERAMIC 22U M 6.3V		303 453 8610	CERAMIC 0.1U K 16V
	303 443 9214	CERAMIC 22U M 6.3V		303 409 3426	CERAMIC 0.1U K 16V
C5868	303 381 5613	ELECT 220U M 16V	C6551	303 453 8917	CERAMIC 0.1U K 16V
	303 423 8916	ELECT 220U M 16V		303 453 8610	CERAMIC 0.1U K 16V
	403 458 4812	ELECT 220U M 16V		303 409 3426	CERAMIC 0.1U K 16V
C5881	303 401 2219	ELECT 100U M 6.3V	C6613	403 467 0911	CERAMIC 0.1U K 25V
	303 424 0315	ELECT 100U M 6.3V	C6614	303 381 5613	ELECT 220U M 16V
	403 458 7219	ELECT 100U M 6.3V		303 423 8916	ELECT 220U M 16V
C5882	303 453 8917	CERAMIC 0.1U K 16V		403 458 4812	ELECT 220U M 16V
	303 453 8610	CERAMIC 0.1U K 16V	C6621	303 392 5015	CERAMIC 22U M 6.3V
	303 409 3426	CERAMIC 0.1U K 16V		303 443 9214	CERAMIC 22U M 6.3V
C5883	303 453 8917	CERAMIC 0.1U K 16V	C6622	303 381 5613	ELECT 220U M 16V
	303 453 8610	CERAMIC 0.1U K 16V		303 423 8916	ELECT 220U M 16V
	303 409 3426	CERAMIC 0.1U K 16V		403 458 4812	ELECT 220U M 16V
C5884	303 453 8917	CERAMIC 0.1U K 16V	C6631	303 376 3112	ELECT 100U M 25V
	303 453 8610	CERAMIC 0.1U K 16V		303 374 7815	ELECT 100UM 25V
	303 409 3426	CERAMIC 0.1U K 16V		303 444 0111	ELECT 100U M 25V
C5885	303 398 4111	ELECT 47U M 16V	C6632	403 455 1616	CERAMIC 10U K 16V
	303 387 6515	ELECT 47U M 16V		403 478 5813	CERAMIC 10U K 16V
C5886	303 453 8917	CERAMIC 0.1U K 16V	C6633	303 376 3112	ELECT 100U M 25V
	303 453 8610	CERAMIC 0.1U K 16V		303 374 7815	ELECT 100UM 25V
	303 409 3426	CERAMIC 0.1U K 16V		303 444 0111	ELECT 100U M 25V
C5887	303 453 8917	CERAMIC 0.1U K 16V	C6634	403 467 0911	CERAMIC 0.1U K 25V
	303 453 8610	CERAMIC 0.1U K 16V	C6652	303 453 8917	CERAMIC 0.1U K 16V
	303 409 3426	CERAMIC 0.1U K 16V		303 453 8610	CERAMIC 0.1U K 16V
C5888	303 453 8917	CERAMIC 0.1U K 16V		303 409 3426	CERAMIC 0.1U K 16V
	303 453 8610	CERAMIC 0.1U K 16V	C6660	403 455 1012	CERAMIC 1U K 10V
	303 409 3426	CERAMIC 0.1U K 16V		303 433 1112	CERAMIC 1U K 10V
C5889	303 401 2219	ELECT 100U M 6.3V	C6661	303 453 8917	CERAMIC 0.1U K 16V
	303 424 0315	ELECT 100U M 6.3V		303 453 8610	CERAMIC 0.1U K 16V
	403 458 7219	ELECT 100U M 6.3V		303 409 3426	CERAMIC 0.1U K 16V
C5890	303 453 8917	CERAMIC 0.1U K 16V	C6663	303 453 8917	CERAMIC 0.1U K 16V
	303 453 8610	CERAMIC 0.1U K 16V		303 453 8610	CERAMIC 0.1U K 16V
	303 409 3426	CERAMIC 0.1U K 16V		303 409 3426	CERAMIC 0.1U K 16V
C5891	303 401 2219	ELECT 100U M 6.3V	C6664	303 401 2219	ELECT 100U M 6.3V
	303 424 0315	ELECT 100U M 6.3V		303 424 0315	ELECT 100U M 6.3V
	403 458 7219	ELECT 100U M 6.3V		403 458 7219	ELECT 100U M 6.3V
C596	303 376 3211	ELECT 220U M 25V	C6666	303 453 8917	CERAMIC 0.1U K 16V
	303 395 5814	ELECT 220UM 25V		303 453 8610	CERAMIC 0.1U K 16V
C597	403 467 0911	CERAMIC 0.1U K 25V		303 409 3426	CERAMIC 0.1U K 16V
C598	303 376 3112	ELECT 100U M 25V	C6667	403 455 1616	CERAMIC 10U K 16V
	303 374 7815	ELECT 100UM 25V		403 478 5813	CERAMIC 10U K 16V
	303 444 0111	ELECT 100U M 25V	C6668	303 381 5316	ELECT 100U M 16V
C599	403 467 0911	CERAMIC 0.1U K 25V		303 369 3211	ELECT 100U M 16V
C6501	303 453 8917	CERAMIC 0.1U K 16V		403 458 7615	ELECT 100U M 16V
	303 453 8610	CERAMIC 0.1U K 16V			

Electrical Parts List

KK8-WXL20000

Key No.	Part No.	Description	Key No.	Part No.	Description
C6670	303 453 8917	CERAMIC 0.1U K 16V		303 433 1112	CERAMIC 1U K 10V
	303 453 8610	CERAMIC 0.1U K 16V	C7716	303 358 3215	CERAMIC 10U K 6.3V
	303 409 3426	CERAMIC 0.1U K 16V		303 370 0018	CERAMIC 10U K 6.3V
C6681	303 450 2215	CERAMIC 0.22U K 25V		303 368 7319	CERAMIC 10U K 6.3V
C6682	403 467 0911	CERAMIC 0.1U K 25V	C7721	303 396 9613	CERAMIC 1U K 25V
C6684	303 454 1917	CERAMIC 4700P K 50V		303 397 7618	CERAMIC 1U K 25V
	303 379 7315	CERAMIC 4700P K 50V		403 478 5912	CERAMIC 1U K 25V
C6686	403 467 0911	CERAMIC 0.1U K 25V	C7723	403 467 0911	CERAMIC 0.1U K 25V
C6687	303 381 5613	ELECT 220U M 16V	C7724	403 467 0911	CERAMIC 0.1U K 25V
	303 423 8916	ELECT 220U M 16V	C7725	303 437 4614	CERAMIC 10U K 25V
	403 458 4812	ELECT 220U M 16V	C7726	403 467 0911	CERAMIC 0.1U K 25V
C6688	303 381 5613	ELECT 220U M 16V	C7727	303 381 5613	ELECT 220U M 16V
	303 423 8916	ELECT 220U M 16V		303 423 8916	ELECT 220U M 16V
	403 458 4812	ELECT 220U M 16V		403 458 4812	ELECT 220U M 16V
C6691	303 393 0019	ELECT 470U M 25V	C7728	303 336 3510	CERAMIC 0.47U K 16V
	303 420 1415	ELECT 470U M 25V	C7729	303 336 3510	CERAMIC 0.47U K 16V
	403 458 4614	ELECT 470U M 25V	C7730	303 437 4614	CERAMIC 10U K 25V
C6692	303 453 8917	CERAMIC 0.1U K 16V	C7731	403 455 1012	CERAMIC 1U K 10V
	303 453 8610	CERAMIC 0.1U K 16V		303 433 1112	CERAMIC 1U K 10V
	303 409 3426	CERAMIC 0.1U K 16V	C7732	303 453 8917	CERAMIC 0.1U K 16V
C6693	403 467 0911	CERAMIC 0.1U K 25V		303 453 8610	CERAMIC 0.1U K 16V
C6694	303 453 8917	CERAMIC 0.1U K 16V		303 409 3426	CERAMIC 0.1U K 16V
	303 453 8610	CERAMIC 0.1U K 16V	C7733	303 381 9918	ELECT 470U M 16V
	303 409 3426	CERAMIC 0.1U K 16V		303 407 3517	ELECT 470U M 16V
C6695	303 381 5613	ELECT 220U M 16V	C7734	403 455 1012	CERAMIC 1U K 10V
	303 423 8916	ELECT 220U M 16V		303 433 1112	CERAMIC 1U K 10V
	403 458 4812	ELECT 220U M 16V	C7736	303 358 3215	CERAMIC 10U K 6.3V
C6696	303 397 8714	NP-ELECT 22U M 16V		303 370 0018	CERAMIC 10U K 6.3V
C6697	303 397 8714	NP-ELECT 22U M 16V		303 368 7319	CERAMIC 10U K 6.3V
C6698	303 453 8917	CERAMIC 0.1U K 16V	C7741	403 455 1012	CERAMIC 1U K 10V
	303 453 8610	CERAMIC 0.1U K 16V		303 433 1112	CERAMIC 1U K 10V
	303 409 3426	CERAMIC 0.1U K 16V	C7742	303 453 8917	CERAMIC 0.1U K 16V
C6699	303 453 8917	CERAMIC 0.1U K 16V		303 453 8610	CERAMIC 0.1U K 16V
	303 453 8610	CERAMIC 0.1U K 16V		303 409 3426	CERAMIC 0.1U K 16V
	303 409 3426	CERAMIC 0.1U K 16V	C7743	303 381 9918	ELECT 470U M 16V
C7609	303 453 8917	CERAMIC 0.1U K 16V		303 407 3517	ELECT 470U M 16V
	303 453 8610	CERAMIC 0.1U K 16V	C7744	403 455 1012	CERAMIC 1U K 10V
	303 409 3426	CERAMIC 0.1U K 16V		303 433 1112	CERAMIC 1U K 10V
C7701	303 396 9613	CERAMIC 1U K 25V	C7745	303 358 3215	CERAMIC 10U K 6.3V
	303 397 7618	CERAMIC 1U K 25V		303 370 0018	CERAMIC 10U K 6.3V
	403 478 5912	CERAMIC 1U K 25V		303 368 7319	CERAMIC 10U K 6.3V
C7703	403 467 0911	CERAMIC 0.1U K 25V	C7746	403 455 1012	CERAMIC 1U K 10V
C7704	403 467 0911	CERAMIC 0.1U K 25V		303 433 1112	CERAMIC 1U K 10V
C7706	403 467 0911	CERAMIC 0.1U K 25V	C7747	303 453 8917	CERAMIC 0.1U K 16V
C7707	303 381 5613	ELECT 220U M 16V		303 453 8610	CERAMIC 0.1U K 16V
	303 423 8916	ELECT 220U M 16V		303 409 3426	CERAMIC 0.1U K 16V
	403 458 4812	ELECT 220U M 16V	C7748	303 381 9918	ELECT 470U M 16V
C7709	303 336 3510	CERAMIC 0.47U K 16V		303 407 3517	ELECT 470U M 16V
C7711	403 455 1012	CERAMIC 1U K 10V	C7749	403 455 1012	CERAMIC 1U K 10V
	303 433 1112	CERAMIC 1U K 10V		303 433 1112	CERAMIC 1U K 10V
C7712	303 453 8917	CERAMIC 0.1U K 16V	C7750	303 358 3215	CERAMIC 10U K 6.3V
	303 453 8610	CERAMIC 0.1U K 16V		303 370 0018	CERAMIC 10U K 6.3V
	303 409 3426	CERAMIC 0.1U K 16V		303 368 7319	CERAMIC 10U K 6.3V
C7713	303 381 9918	ELECT 470U M 16V	C7751	403 455 1012	CERAMIC 1U K 10V
	303 407 3517	ELECT 470U M 16V		303 433 1112	CERAMIC 1U K 10V
C7714	403 455 1012	CERAMIC 1U K 10V	C7752	303 453 8917	CERAMIC 0.1U K 16V

Electrical Parts List

KK8-WXL20000

Key No.	Part No.	Description	Key No.	Part No.	Description
	303 453 8610	CERAMIC 0.1U K 16V		303 453 8610	CERAMIC 0.1U K 16V
	303 409 3426	CERAMIC 0.1U K 16V		303 409 3426	CERAMIC 0.1U K 16V
C7753	303 381 9918	ELECT 470U M 16V	C7821	303 453 8917	CERAMIC 0.1U K 16V
	303 407 3517	ELECT 470U M 16V		303 453 8610	CERAMIC 0.1U K 16V
C7754	403 455 1012	CERAMIC 1U K 10V		303 409 3426	CERAMIC 0.1U K 16V
	303 433 1112	CERAMIC 1U K 10V	C7822	303 398 5415	ELECT 47U M 25V
C7755	303 358 3215	CERAMIC 10U K 6.3V		303 387 7314	ELECT 47U M 25V
	303 370 0018	CERAMIC 10U K 6.3V	C7823	303 454 0613	CERAMIC 10000P K 50V
	303 368 7319	CERAMIC 10U K 6.3V		303 441 9810	CERAMIC 0.01U K 50V
C7756	403 455 1012	CERAMIC 1U K 10V	C7824	303 454 0613	CERAMIC 10000P K 50V
	303 433 1112	CERAMIC 1U K 10V		303 441 9810	CERAMIC 0.01U K 50V
C7757	303 453 8917	CERAMIC 0.1U K 16V	C7825	303 381 5316	ELECT 100U M 16V
	303 453 8610	CERAMIC 0.1U K 16V		303 369 3211	ELECT 100U M 16V
	303 409 3426	CERAMIC 0.1U K 16V		403 458 7615	ELECT 100U M 16V
C7758	303 381 9918	ELECT 470U M 16V	C7831	303 453 8917	CERAMIC 0.1U K 16V
	303 407 3517	ELECT 470U M 16V		303 453 8610	CERAMIC 0.1U K 16V
C7759	403 455 1012	CERAMIC 1U K 10V		303 409 3426	CERAMIC 0.1U K 16V
	303 433 1112	CERAMIC 1U K 10V	C7832	303 453 8917	CERAMIC 0.1U K 16V
C7760	303 358 3215	CERAMIC 10U K 6.3V		303 453 8610	CERAMIC 0.1U K 16V
	303 370 0018	CERAMIC 10U K 6.3V		303 409 3426	CERAMIC 0.1U K 16V
	303 368 7319	CERAMIC 10U K 6.3V	C7833	303 381 5613	ELECT 220U M 16V
C7792	303 453 8917	CERAMIC 0.1U K 16V		303 423 8916	ELECT 220U M 16V
	303 453 8610	CERAMIC 0.1U K 16V		403 458 4812	ELECT 220U M 16V
	303 409 3426	CERAMIC 0.1U K 16V	C7834	303 453 8917	CERAMIC 0.1U K 16V
C7793	303 453 8917	CERAMIC 0.1U K 16V		303 453 8610	CERAMIC 0.1U K 16V
	303 453 8610	CERAMIC 0.1U K 16V		303 409 3426	CERAMIC 0.1U K 16V
	303 409 3426	CERAMIC 0.1U K 16V	C7841	303 453 8917	CERAMIC 0.1U K 16V
C7798	303 376 3112	ELECT 100U M 25V		303 453 8610	CERAMIC 0.1U K 16V
	303 374 7815	ELECT 100UM 25V		303 409 3426	CERAMIC 0.1U K 16V
	303 444 0111	ELECT 100U M 25V	C7842	303 398 5415	ELECT 47U M 25V
C7799	303 376 3112	ELECT 100U M 25V		303 387 7314	ELECT 47U M 25V
	303 374 7815	ELECT 100UM 25V	C7843	303 454 0613	CERAMIC 10000P K 50V
	303 444 0111	ELECT 100U M 25V		303 441 9810	CERAMIC 0.01U K 50V
C7801	303 401 2219	ELECT 100U M 6.3V	C7844	303 454 0613	CERAMIC 10000P K 50V
	303 424 0315	ELECT 100U M 6.3V		303 441 9810	CERAMIC 0.01U K 50V
	403 458 7219	ELECT 100U M 6.3V	C7845	303 381 5316	ELECT 100U M 16V
C7802	303 453 8917	CERAMIC 0.1U K 16V		303 369 3211	ELECT 100U M 16V
	303 453 8610	CERAMIC 0.1U K 16V		403 458 7615	ELECT 100U M 16V
	303 409 3426	CERAMIC 0.1U K 16V	C7851	303 453 8917	CERAMIC 0.1U K 16V
C7803	303 453 8917	CERAMIC 0.1U K 16V		303 453 8610	CERAMIC 0.1U K 16V
	303 453 8610	CERAMIC 0.1U K 16V		303 409 3426	CERAMIC 0.1U K 16V
	303 409 3426	CERAMIC 0.1U K 16V	C7852	303 453 8917	CERAMIC 0.1U K 16V
C7806	303 401 2219	ELECT 100U M 6.3V		303 453 8610	CERAMIC 0.1U K 16V
	303 424 0315	ELECT 100U M 6.3V		303 409 3426	CERAMIC 0.1U K 16V
	403 458 7219	ELECT 100U M 6.3V	C7853	303 381 5613	ELECT 220U M 16V
C7807	303 453 8917	CERAMIC 0.1U K 16V		303 423 8916	ELECT 220U M 16V
	303 453 8610	CERAMIC 0.1U K 16V		403 458 4812	ELECT 220U M 16V
	303 409 3426	CERAMIC 0.1U K 16V	C7854	303 453 8917	CERAMIC 0.1U K 16V
C7808	303 453 8917	CERAMIC 0.1U K 16V		303 453 8610	CERAMIC 0.1U K 16V
	303 453 8610	CERAMIC 0.1U K 16V		303 409 3426	CERAMIC 0.1U K 16V
	303 409 3426	CERAMIC 0.1U K 16V	C7861	303 453 8917	CERAMIC 0.1U K 16V
C7809	303 453 8917	CERAMIC 0.1U K 16V		303 453 8610	CERAMIC 0.1U K 16V
	303 453 8610	CERAMIC 0.1U K 16V		303 409 3426	CERAMIC 0.1U K 16V
	303 409 3426	CERAMIC 0.1U K 16V	C7862	303 398 5415	ELECT 47U M 25V
C7811	303 453 8917	CERAMIC 0.1U K 16V		303 387 7314	ELECT 47U M 25V
			C7863	303 454 0613	CERAMIC 10000P K 50V

Electrical Parts List

KK8-WXL20000

Key No.	Part No.	Description	Key No.	Part No.	Description
	303 441 9810	CERAMIC 0.01U K 50V		303 409 3426	CERAMIC 0.1U K 16V
C7864	303 454 0613	CERAMIC 10000P K 50V	C7933	303 381 5613	ELECT 220U M 16V
	303 441 9810	CERAMIC 0.01U K 50V		303 423 8916	ELECT 220U M 16V
C7865	303 381 5316	ELECT 100U M 16V		403 458 4812	ELECT 220U M 16V
	303 369 3211	ELECT 100U M 16V	C7934	303 453 8917	CERAMIC 0.1U K 16V
	403 458 7615	ELECT 100U M 16V		303 453 8610	CERAMIC 0.1U K 16V
C7871	303 453 8917	CERAMIC 0.1U K 16V		303 409 3426	CERAMIC 0.1U K 16V
	303 453 8610	CERAMIC 0.1U K 16V	C8001	303 358 3215	CERAMIC 10U K 6.3V
	303 409 3426	CERAMIC 0.1U K 16V		303 370 0018	CERAMIC 10U K 6.3V
C7872	303 453 8917	CERAMIC 0.1U K 16V		303 368 7319	CERAMIC 10U K 6.3V
	303 453 8610	CERAMIC 0.1U K 16V	C8002	303 453 8917	CERAMIC 0.1U K 16V
	303 409 3426	CERAMIC 0.1U K 16V		303 453 8610	CERAMIC 0.1U K 16V
C7876	303 381 5613	ELECT 220U M 16V		303 409 3426	CERAMIC 0.1U K 16V
	303 423 8916	ELECT 220U M 16V	C8003	303 453 8917	CERAMIC 0.1U K 16V
	403 458 4812	ELECT 220U M 16V		303 453 8610	CERAMIC 0.1U K 16V
C7881	303 453 8917	CERAMIC 0.1U K 16V		303 409 3426	CERAMIC 0.1U K 16V
	303 453 8610	CERAMIC 0.1U K 16V	C8004	303 453 8917	CERAMIC 0.1U K 16V
	303 409 3426	CERAMIC 0.1U K 16V		303 453 8610	CERAMIC 0.1U K 16V
C7882	303 398 5415	ELECT 47U M 25V		303 409 3426	CERAMIC 0.1U K 16V
	303 387 7314	ELECT 47U M 25V	C8006	303 453 8917	CERAMIC 0.1U K 16V
C7883	303 454 0613	CERAMIC 10000P K 50V		303 453 8610	CERAMIC 0.1U K 16V
	303 441 9810	CERAMIC 0.01U K 50V		303 409 3426	CERAMIC 0.1U K 16V
C7884	303 454 0613	CERAMIC 10000P K 50V	C8007	303 453 8917	CERAMIC 0.1U K 16V
	303 441 9810	CERAMIC 0.01U K 50V		303 453 8610	CERAMIC 0.1U K 16V
C7885	303 381 5316	ELECT 100U M 16V		303 409 3426	CERAMIC 0.1U K 16V
	303 369 3211	ELECT 100U M 16V	C8008	303 358 3215	CERAMIC 10U K 6.3V
	403 458 7615	ELECT 100U M 16V		303 370 0018	CERAMIC 10U K 6.3V
C7886	303 453 8917	CERAMIC 0.1U K 16V		303 368 7319	CERAMIC 10U K 6.3V
	303 453 8610	CERAMIC 0.1U K 16V	C8009	303 358 3215	CERAMIC 10U K 6.3V
	303 409 3426	CERAMIC 0.1U K 16V		303 370 0018	CERAMIC 10U K 6.3V
C7888	303 453 8917	CERAMIC 0.1U K 16V		303 368 7319	CERAMIC 10U K 6.3V
	303 453 8610	CERAMIC 0.1U K 16V	C801	303 453 8917	CERAMIC 0.1U K 16V
	303 409 3426	CERAMIC 0.1U K 16V		303 453 8610	CERAMIC 0.1U K 16V
C7889	303 381 5613	ELECT 220U M 16V		303 409 3426	CERAMIC 0.1U K 16V
	303 423 8916	ELECT 220U M 16V	C8011	303 453 8917	CERAMIC 0.1U K 16V
	403 458 4812	ELECT 220U M 16V		303 453 8610	CERAMIC 0.1U K 16V
C7891	303 453 8917	CERAMIC 0.1U K 16V		303 409 3426	CERAMIC 0.1U K 16V
	303 453 8610	CERAMIC 0.1U K 16V	C8012	303 358 3215	CERAMIC 10U K 6.3V
	303 409 3426	CERAMIC 0.1U K 16V		303 370 0018	CERAMIC 10U K 6.3V
C7921	303 453 8917	CERAMIC 0.1U K 16V		303 368 7319	CERAMIC 10U K 6.3V
	303 453 8610	CERAMIC 0.1U K 16V	C8013	303 453 8917	CERAMIC 0.1U K 16V
	303 409 3426	CERAMIC 0.1U K 16V		303 453 8610	CERAMIC 0.1U K 16V
C7922	303 398 5415	ELECT 47U M 25V		303 409 3426	CERAMIC 0.1U K 16V
	303 387 7314	ELECT 47U M 25V	C8014	303 453 8214	CERAMIC 10P J 50V
C7923	303 454 0613	CERAMIC 10000P K 50V		303 453 9013	CERAMIC 10P J 50V
	303 441 9810	CERAMIC 0.01U K 50V		303 279 6210	CERAMIC 10P J 50V
C7924	303 454 0613	CERAMIC 10000P K 50V	C8016	303 453 8214	CERAMIC 10P J 50V
	303 441 9810	CERAMIC 0.01U K 50V		303 453 9013	CERAMIC 10P J 50V
C7925	303 381 5316	ELECT 100U M 16V		303 279 6210	CERAMIC 10P J 50V
	303 369 3211	ELECT 100U M 16V	C8017	303 453 8917	CERAMIC 0.1U K 16V
	403 458 7615	ELECT 100U M 16V		303 453 8610	CERAMIC 0.1U K 16V
C7931	303 453 8917	CERAMIC 0.1U K 16V		303 409 3426	CERAMIC 0.1U K 16V
	303 453 8610	CERAMIC 0.1U K 16V	C8018	303 453 8917	CERAMIC 0.1U K 16V
	303 409 3426	CERAMIC 0.1U K 16V		303 453 8610	CERAMIC 0.1U K 16V
C7932	303 453 8917	CERAMIC 0.1U K 16V		303 409 3426	CERAMIC 0.1U K 16V
	303 453 8610	CERAMIC 0.1U K 16V	C8019	303 453 8917	CERAMIC 0.1U K 16V

Electrical Parts List

KK8-WXL20000

Key No.	Part No.	Description	Key No.	Part No.	Description
	303 453 8610	CERAMIC 0.1U K 16V	C8082	403 455 1012	CERAMIC 1U K 10V
	303 409 3426	CERAMIC 0.1U K 16V		303 433 1112	CERAMIC 1U K 10V
C8021	303 453 8917	CERAMIC 0.1U K 16V	C8083	303 401 2219	ELECT 100U M 6.3V
	303 453 8610	CERAMIC 0.1U K 16V		303 424 0315	ELECT 100U M 6.3V
	303 409 3426	CERAMIC 0.1U K 16V		403 458 7219	ELECT 100U M 6.3V
C8022	303 453 8917	CERAMIC 0.1U K 16V	C8091	403 455 1012	CERAMIC 1U K 10V
	303 453 8610	CERAMIC 0.1U K 16V		303 433 1112	CERAMIC 1U K 10V
	303 409 3426	CERAMIC 0.1U K 16V	C8092	303 358 3215	CERAMIC 10U K 6.3V
C8023	303 453 8917	CERAMIC 0.1U K 16V		303 370 0018	CERAMIC 10U K 6.3V
	303 453 8610	CERAMIC 0.1U K 16V		303 368 7319	CERAMIC 10U K 6.3V
	303 409 3426	CERAMIC 0.1U K 16V	C8093	303 381 5316	ELECT 100U M 16V
C8024	303 358 3215	CERAMIC 10U K 6.3V		303 369 3211	ELECT 100U M 16V
	303 370 0018	CERAMIC 10U K 6.3V		403 458 7615	ELECT 100U M 16V
	303 368 7319	CERAMIC 10U K 6.3V	C8094	403 455 1012	CERAMIC 1U K 10V
C8026	303 358 3215	CERAMIC 10U K 6.3V		303 433 1112	CERAMIC 1U K 10V
	303 370 0018	CERAMIC 10U K 6.3V	C8201	303 453 8917	CERAMIC 0.1U K 16V
	303 368 7319	CERAMIC 10U K 6.3V		303 453 8610	CERAMIC 0.1U K 16V
C8027	303 358 3215	CERAMIC 10U K 6.3V		303 409 3426	CERAMIC 0.1U K 16V
	303 370 0018	CERAMIC 10U K 6.3V	C8202	303 424 7017	CERAMIC 0.047U K 25V
	303 368 7319	CERAMIC 10U K 6.3V	C8203	303 424 7017	CERAMIC 0.047U K 25V
C8028	303 453 8917	CERAMIC 0.1U K 16V	C8204	303 424 7017	CERAMIC 0.047U K 25V
	303 453 8610	CERAMIC 0.1U K 16V	C8206	303 424 7017	CERAMIC 0.047U K 25V
	303 409 3426	CERAMIC 0.1U K 16V	C8207	303 453 8917	CERAMIC 0.1U K 16V
C8029	303 453 8917	CERAMIC 0.1U K 16V		303 453 8610	CERAMIC 0.1U K 16V
	303 453 8610	CERAMIC 0.1U K 16V		303 409 3426	CERAMIC 0.1U K 16V
	303 409 3426	CERAMIC 0.1U K 16V	C8208	303 453 8917	CERAMIC 0.1U K 16V
C8031	303 453 8917	CERAMIC 0.1U K 16V		303 453 8610	CERAMIC 0.1U K 16V
	303 453 8610	CERAMIC 0.1U K 16V		303 409 3426	CERAMIC 0.1U K 16V
	303 409 3426	CERAMIC 0.1U K 16V	C8209	303 453 8917	CERAMIC 0.1U K 16V
C8032	303 453 8917	CERAMIC 0.1U K 16V		303 453 8610	CERAMIC 0.1U K 16V
	303 453 8610	CERAMIC 0.1U K 16V		303 409 3426	CERAMIC 0.1U K 16V
	303 409 3426	CERAMIC 0.1U K 16V	C821	303 453 8917	CERAMIC 0.1U K 16V
C8033	303 453 8917	CERAMIC 0.1U K 16V		303 453 8610	CERAMIC 0.1U K 16V
	303 453 8610	CERAMIC 0.1U K 16V		303 409 3426	CERAMIC 0.1U K 16V
	303 409 3426	CERAMIC 0.1U K 16V	C822	303 453 8917	CERAMIC 0.1U K 16V
C8034	303 453 8917	CERAMIC 0.1U K 16V		303 453 8610	CERAMIC 0.1U K 16V
	303 453 8610	CERAMIC 0.1U K 16V		303 409 3426	CERAMIC 0.1U K 16V
	303 409 3426	CERAMIC 0.1U K 16V	C823	303 453 8917	CERAMIC 0.1U K 16V
C8036	303 453 8917	CERAMIC 0.1U K 16V		303 453 8610	CERAMIC 0.1U K 16V
	303 453 8610	CERAMIC 0.1U K 16V		303 409 3426	CERAMIC 0.1U K 16V
	303 409 3426	CERAMIC 0.1U K 16V	C8231	303 453 8917	CERAMIC 0.1U K 16V
C8037	303 453 8917	CERAMIC 0.1U K 16V		303 453 8610	CERAMIC 0.1U K 16V
	303 453 8610	CERAMIC 0.1U K 16V		303 409 3426	CERAMIC 0.1U K 16V
	303 409 3426	CERAMIC 0.1U K 16V	C8232	303 453 8917	CERAMIC 0.1U K 16V
C8038	303 358 3215	CERAMIC 10U K 6.3V		303 453 8610	CERAMIC 0.1U K 16V
	303 370 0018	CERAMIC 10U K 6.3V		303 409 3426	CERAMIC 0.1U K 16V
	303 368 7319	CERAMIC 10U K 6.3V	C8233	303 453 8917	CERAMIC 0.1U K 16V
C8071	403 455 1012	CERAMIC 1U K 10V		303 453 8610	CERAMIC 0.1U K 16V
	303 433 1112	CERAMIC 1U K 10V		303 409 3426	CERAMIC 0.1U K 16V
C8072	403 455 1012	CERAMIC 1U K 10V	C8234	303 453 8917	CERAMIC 0.1U K 16V
	303 433 1112	CERAMIC 1U K 10V		303 453 8610	CERAMIC 0.1U K 16V
C8073	303 358 3215	CERAMIC 10U K 6.3V		303 409 3426	CERAMIC 0.1U K 16V
	303 370 0018	CERAMIC 10U K 6.3V	C8236	303 424 7017	CERAMIC 0.047U K 25V
	303 368 7319	CERAMIC 10U K 6.3V	C8237	303 424 7017	CERAMIC 0.047U K 25V
C8081	403 455 1012	CERAMIC 1U K 10V	C8239	303 424 7017	CERAMIC 0.047U K 25V
	303 433 1112	CERAMIC 1U K 10V	C8241	303 453 8917	CERAMIC 0.1U K 16V

Electrical Parts List

KK8-WXL20000

Key No.	Part No.	Description	Key No.	Part No.	Description
	303 453 8610	CERAMIC 0.1U K 16V	C844	303 453 8917	CERAMIC 0.1U K 16V
	303 409 3426	CERAMIC 0.1U K 16V		303 453 8610	CERAMIC 0.1U K 16V
C8243	303 453 8917	CERAMIC 0.1U K 16V		303 409 3426	CERAMIC 0.1U K 16V
	303 453 8610	CERAMIC 0.1U K 16V	C859	303 453 8917	CERAMIC 0.1U K 16V
	303 409 3426	CERAMIC 0.1U K 16V		303 453 8610	CERAMIC 0.1U K 16V
C825	303 453 8917	CERAMIC 0.1U K 16V		303 409 3426	CERAMIC 0.1U K 16V
	303 453 8610	CERAMIC 0.1U K 16V	C8800	403 455 1012	CERAMIC 1U K 10V
	303 409 3426	CERAMIC 0.1U K 16V		303 433 1112	CERAMIC 1U K 10V
C826	303 453 8917	CERAMIC 0.1U K 16V	C8801	303 453 8917	CERAMIC 0.1U K 16V
	303 453 8610	CERAMIC 0.1U K 16V		303 453 8610	CERAMIC 0.1U K 16V
	303 409 3426	CERAMIC 0.1U K 16V		303 409 3426	CERAMIC 0.1U K 16V
C8261	303 453 8917	CERAMIC 0.1U K 16V	C8802	303 453 8917	CERAMIC 0.1U K 16V
	303 453 8610	CERAMIC 0.1U K 16V		303 453 8610	CERAMIC 0.1U K 16V
	303 409 3426	CERAMIC 0.1U K 16V		303 409 3426	CERAMIC 0.1U K 16V
C8262	303 453 8917	CERAMIC 0.1U K 16V	C8803	303 453 8917	CERAMIC 0.1U K 16V
	303 453 8610	CERAMIC 0.1U K 16V		303 453 8610	CERAMIC 0.1U K 16V
	303 409 3426	CERAMIC 0.1U K 16V		303 409 3426	CERAMIC 0.1U K 16V
C8263	303 424 7017	CERAMIC 0.047U K 25V	C8806	303 453 8917	CERAMIC 0.1U K 16V
C8264	303 453 8917	CERAMIC 0.1U K 16V		303 453 8610	CERAMIC 0.1U K 16V
	303 453 8610	CERAMIC 0.1U K 16V		303 409 3426	CERAMIC 0.1U K 16V
	303 409 3426	CERAMIC 0.1U K 16V	C8807	303 453 7019	CERAMIC 33P J 50V
C8266	303 424 7017	CERAMIC 0.047U K 25V		303 453 9617	CERAMIC 33P J 50V
C8267	303 424 7017	CERAMIC 0.047U K 25V		303 276 3113	CERAMIC 33P J 50V
C8268	303 453 8917	CERAMIC 0.1U K 16V	C8808	303 453 7019	CERAMIC 33P J 50V
	303 453 8610	CERAMIC 0.1U K 16V		303 453 9617	CERAMIC 33P J 50V
	303 409 3426	CERAMIC 0.1U K 16V		303 276 3113	CERAMIC 33P J 50V
C8269	303 424 7017	CERAMIC 0.047U K 25V	C8809	303 453 8917	CERAMIC 0.1U K 16V
C8271	303 453 8917	CERAMIC 0.1U K 16V		303 453 8610	CERAMIC 0.1U K 16V
	303 453 8610	CERAMIC 0.1U K 16V		303 409 3426	CERAMIC 0.1U K 16V
	303 409 3426	CERAMIC 0.1U K 16V	C8810	303 453 8917	CERAMIC 0.1U K 16V
C8272	303 453 8917	CERAMIC 0.1U K 16V		303 453 8610	CERAMIC 0.1U K 16V
	303 453 8610	CERAMIC 0.1U K 16V		303 409 3426	CERAMIC 0.1U K 16V
	303 409 3426	CERAMIC 0.1U K 16V	C8811	303 453 8917	CERAMIC 0.1U K 16V
C8291	403 455 1012	CERAMIC 1U K 10V		303 453 8610	CERAMIC 0.1U K 16V
	303 433 1112	CERAMIC 1U K 10V		303 409 3426	CERAMIC 0.1U K 16V
C8292	303 453 8917	CERAMIC 0.1U K 16V	C8812	303 453 8917	CERAMIC 0.1U K 16V
	303 453 8610	CERAMIC 0.1U K 16V		303 453 8610	CERAMIC 0.1U K 16V
	303 409 3426	CERAMIC 0.1U K 16V		303 409 3426	CERAMIC 0.1U K 16V
C8293	303 453 8917	CERAMIC 0.1U K 16V	C8814	303 453 8917	CERAMIC 0.1U K 16V
	303 453 8610	CERAMIC 0.1U K 16V		303 453 8610	CERAMIC 0.1U K 16V
	303 409 3426	CERAMIC 0.1U K 16V		303 409 3426	CERAMIC 0.1U K 16V
C8294	303 453 8917	CERAMIC 0.1U K 16V	C8815	303 453 8917	CERAMIC 0.1U K 16V
	303 453 8610	CERAMIC 0.1U K 16V		303 453 8610	CERAMIC 0.1U K 16V
	303 409 3426	CERAMIC 0.1U K 16V		303 409 3426	CERAMIC 0.1U K 16V
C8295	303 453 8917	CERAMIC 0.1U K 16V	C8817	303 453 8917	CERAMIC 0.1U K 16V
	303 453 8610	CERAMIC 0.1U K 16V		303 453 8610	CERAMIC 0.1U K 16V
	303 409 3426	CERAMIC 0.1U K 16V		303 409 3426	CERAMIC 0.1U K 16V
C8296	403 455 1012	CERAMIC 1U K 10V	C8818	303 453 8917	CERAMIC 0.1U K 16V
	303 433 1112	CERAMIC 1U K 10V		303 453 8610	CERAMIC 0.1U K 16V
C8301	303 391 5511	ELECT 10U M 16V		303 409 3426	CERAMIC 0.1U K 16V
	303 175 7212	ELECT 10U M 16V	C8819	303 453 8917	CERAMIC 0.1U K 16V
C8302	303 391 5511	ELECT 10U M 16V		303 453 8610	CERAMIC 0.1U K 16V
	303 175 7212	ELECT 10U M 16V		303 409 3426	CERAMIC 0.1U K 16V
C8303	303 453 8917	CERAMIC 0.1U K 16V	C8820	303 453 8917	CERAMIC 0.1U K 16V
	303 453 8610	CERAMIC 0.1U K 16V		303 453 8610	CERAMIC 0.1U K 16V
	303 409 3426	CERAMIC 0.1U K 16V			

Key No.	Part No.	Description	Key No.	Part No.	Description
	303 409 3426	CERAMIC 0.1U K 16V	R1024	301 225 1418	MT-GLAZE 47K JA 1/16W
C8821	303 453 8917	CERAMIC 0.1U K 16V	R1025	301 260 4115	MT-GLAZE 75 JA 1/3W
	303 453 8610	CERAMIC 0.1U K 16V	R1026	301 225 1418	MT-GLAZE 47K JA 1/16W
	303 409 3426	CERAMIC 0.1U K 16V	R1027	301 224 8814	MT-GLAZE 100 JA 1/16W
C8832	303 454 0613	CERAMIC 10000P K 50V	R1028	301 224 8814	MT-GLAZE 100 JA 1/16W
	303 441 9810	CERAMIC 0.01U K 50V	R1029	301 225 1210	MT-GLAZE 4.7K JA 1/16W
C8833	403 455 1012	CERAMIC 1U K 10V	R1030	301 225 1210	MT-GLAZE 4.7K JA 1/16W
	303 433 1112	CERAMIC 1U K 10V	R1031	301 225 1814	MT-GLAZE 47 JA 1/16W
C8881	303 454 0613	CERAMIC 10000P K 50V	R1032	301 225 3818	MT-GLAZE 1.5K JA 1/16W
	303 441 9810	CERAMIC 0.01U K 50V	R1036	301 224 9019	MT-GLAZE 10K JA 1/16W
C8884	303 454 0613	CERAMIC 10000P K 50V	R1037	301 224 9019	MT-GLAZE 10K JA 1/16W
	303 441 9810	CERAMIC 0.01U K 50V	R1044	301 224 8913	MT-GLAZE 100K JA 1/16W
C8885	303 453 8511	CERAMIC 1000P K 50V	R1047	301 224 9316	MT-GLAZE 1K JA 1/16W
	303 454 1214	CERAMIC 1000P K 50V	R1049	301 224 9316	MT-GLAZE 1K JA 1/16W
	303 276 1317	CERAMIC 1000P K 50V	R1051	301 224 9316	MT-GLAZE 1K JA 1/16W
C8886	303 453 8511	CERAMIC 1000P K 50V	R1052	301 224 9316	MT-GLAZE 1K JA 1/16W
	303 454 1214	CERAMIC 1000P K 50V	R1054	301 224 8814	MT-GLAZE 100 JA 1/16W
	303 276 1317	CERAMIC 1000P K 50V	R1056	301 224 9316	MT-GLAZE 1K JA 1/16W
C8887	303 454 0613	CERAMIC 10000P K 50V	R1067	301 224 8814	MT-GLAZE 100 JA 1/16W
	303 441 9810	CERAMIC 0.01U K 50V	R1072	301 224 9415	MT-GLAZE 1M JA 1/16W
C9875	303 453 7217	CERAMIC 47P J 50V	R1073	301 256 7618	MT-GLAZE 3.9K JA 1/10W
	303 454 1610	CERAMIC 47P J 50V	R1074	301 224 8814	MT-GLAZE 100 JA 1/16W
	303 305 8812	CERAMIC 47P J 50V	R1076	301 224 8814	MT-GLAZE 100 JA 1/16W
C9878	303 324 6417	CERAMIC 0.022U K 16V	R1084	301 225 3818	MT-GLAZE 1.5K JA 1/16W
C9883	303 398 4111	ELECT 47U M 16V	R1227	301 272 7814	MT-GLAZE 100 FA 1/16W
	303 387 6515	ELECT 47U M 16V	R1228	301 272 7814	MT-GLAZE 100 FA 1/16W
C9884	303 453 8917	CERAMIC 0.1U K 16V	R1229	301 272 7814	MT-GLAZE 100 FA 1/16W
	303 453 8610	CERAMIC 0.1U K 16V	R1231	301 272 7814	MT-GLAZE 100 FA 1/16W
	303 409 3426	CERAMIC 0.1U K 16V	R1232	301 272 7814	MT-GLAZE 100 FA 1/16W
C9885	303 453 8917	CERAMIC 0.1U K 16V	R1238	301 226 5415	MT-GLAZE 56 JA 1/16W
	303 453 8610	CERAMIC 0.1U K 16V	R1239	301 226 5415	MT-GLAZE 56 JA 1/16W
	303 409 3426	CERAMIC 0.1U K 16V	R1241	301 226 5415	MT-GLAZE 56 JA 1/16W
C9888	303 281 2415	CERAMIC 0.22U K 16V	R1243	301 225 1210	MT-GLAZE 4.7K JA 1/16W
	303 364 5913	CERAMIC 0.22U K 16V	R1244	301 225 1210	MT-GLAZE 4.7K JA 1/16W
C9889	303 453 8917	CERAMIC 0.1U K 16V	R1246	301 225 1210	MT-GLAZE 4.7K JA 1/16W
	303 453 8610	CERAMIC 0.1U K 16V	R1247	301 225 1210	MT-GLAZE 4.7K JA 1/16W
	303 409 3426	CERAMIC 0.1U K 16V	R1306	301 224 9316	MT-GLAZE 1K JA 1/16W
C9891	303 453 6319	CERAMIC 100P J 50V	R1308	301 225 8110	MT-GLAZE 10 JA 1/16W
	303 454 0910	CERAMIC 100P J 50V	R1309	301 226 1516	MT-GLAZE 0.000 ZA 1/16W
	303 294 6110	CERAMIC 100P J 50V	R1310	301 226 1516	MT-GLAZE 0.000 ZA 1/16W
C9892	303 453 6319	CERAMIC 100P J 50V	R1311	301 304 3616	MT-GLAZE 1K DA 1/16W
	303 454 0910	CERAMIC 100P J 50V	R1312	301 304 3616	MT-GLAZE 1K DA 1/16W
	303 294 6110	CERAMIC 100P J 50V	R1313	301 225 0213	MT-GLAZE 3.3K JA 1/16W
RESISTOR			R1314	301 226 1516	MT-GLAZE 0.000 ZA 1/16W
R009	301 256 0312	MT-GLAZE 820 JA 1/10W	R1315	301 226 1516	MT-GLAZE 0.000 ZA 1/16W
R011	301 276 4710	MT-GLAZE 0.000 ZA 1/3W	R1316	301 225 8110	MT-GLAZE 10 JA 1/16W
R012	301 276 4710	MT-GLAZE 0.000 ZA 1/3W	R1317	301 225 0213	MT-GLAZE 3.3K JA 1/16W
R015	301 265 0310	MT-GLAZE 3.9K FA 1/10W	R1318	301 224 9019	MT-GLAZE 10K JA 1/16W
R016	301 265 1713	MT-GLAZE 4.7K FA 1/10W	R1319	301 224 9019	MT-GLAZE 10K JA 1/16W
R044	301 224 9019	MT-GLAZE 10K JA 1/16W	R1320	301 225 8110	MT-GLAZE 10 JA 1/16W
R047	301 224 9316	MT-GLAZE 1K JA 1/16W	R1321	301 338 1015	MT-GLAZE 49.9 DA 1/16W
R1007	301 224 9019	MT-GLAZE 10K JA 1/16W	R1322	301 338 1015	MT-GLAZE 49.9 DA 1/16W
R1014	301 260 4016	MT-GLAZE 68 JA 1/3W	R1325	301 226 1516	MT-GLAZE 0.000 ZA 1/16W
R1015	301 260 4016	MT-GLAZE 68 JA 1/3W	R1326	301 226 1516	MT-GLAZE 0.000 ZA 1/16W
R1022	301 260 4115	MT-GLAZE 75 JA 1/3W	R1327	301 224 9019	MT-GLAZE 10K JA 1/16W
R1023	301 260 4115	MT-GLAZE 75 JA 1/3W	R1332	301 225 1210	MT-GLAZE 4.7K JA 1/16W

Electrical Parts List

KK8-WXL20000

Key No.	Part No.	Description	Key No.	Part No.	Description
R1335	301 225 1210	MT-GLAZE 4.7K JA 1/16W	R1451	301 225 7915	MT-GLAZE 220 JA 1/16W
R1336	301 224 9316	MT-GLAZE 1K JA 1/16W	R1452	301 294 3016	MT-GLAZE 10K FA 1/16W
R1337	301 224 9019	MT-GLAZE 10K JA 1/16W	R1453	301 294 3016	MT-GLAZE 10K FA 1/16W
R1338	301 225 0213	MT-GLAZE 3.3K JA 1/16W	R1454	301 225 1715	MT-GLAZE 39K JA 1/16W
R1339	301 225 0213	MT-GLAZE 3.3K JA 1/16W	R1455	301 224 9019	MT-GLAZE 10K JA 1/16W
R1342	301 226 1516	MT-GLAZE 0.000 ZA 1/16W	R1457	301 234 9917	MT-GLAZE 6.8K JA 1/16W
R1344	301 224 8913	MT-GLAZE 100K JA 1/16W	R1458	301 294 3214	MT-GLAZE 47K FA 1/16W
R1345	301 224 9316	MT-GLAZE 1K JA 1/16W	R1459	301 294 3214	MT-GLAZE 47K FA 1/16W
R1346	301 224 9316	MT-GLAZE 1K JA 1/16W	R1460	301 294 3511	MT-GLAZE 27K FA 1/16W
R1347	301 224 9316	MT-GLAZE 1K JA 1/16W	R1461	301 035 4111	MT-GLAZE 0.000 ZA 1/8W
R1348	301 224 9316	MT-GLAZE 1K JA 1/16W	R1817	301 224 9019	MT-GLAZE 10K JA 1/16W
R1349	301 224 9316	MT-GLAZE 1K JA 1/16W	R1840	301 224 9514	MT-GLAZE 2.2K JA 1/16W
R1350	301 226 2414	MT-GLAZE 560 JA 1/16W	R1851	301 224 8814	MT-GLAZE 100 JA 1/16W
R1351	301 224 9415	MT-GLAZE 1M JA 1/16W	R1857	301 224 9316	MT-GLAZE 1K JA 1/16W
R1354	301 226 1516	MT-GLAZE 0.000 ZA 1/16W	R1858	301 263 6928	MT-GLAZE 2K JA 1/16W
R1355	301 226 1516	MT-GLAZE 0.000 ZA 1/16W	R1859	301 224 8814	MT-GLAZE 100 JA 1/16W
R1356	301 226 1516	MT-GLAZE 0.000 ZA 1/16W	R1862	301 224 9019	MT-GLAZE 10K JA 1/16W
R1357	301 224 9316	MT-GLAZE 1K JA 1/16W	R1863	301 224 9019	MT-GLAZE 10K JA 1/16W
R1358	301 263 7420	MT-GLAZE 75 JA 1/16W	R1866	301 224 8814	MT-GLAZE 100 JA 1/16W
R1359	301 225 3818	MT-GLAZE 1.5K JA 1/16W	R204	301 226 1516	MT-GLAZE 0.000 ZA 1/16W
R1361	301 225 1210	MT-GLAZE 4.7K JA 1/16W	R2041	301 224 9019	MT-GLAZE 10K JA 1/16W
R1362	301 225 0213	MT-GLAZE 3.3K JA 1/16W	R2042	301 224 9910	MT-GLAZE 22K JA 1/16W
R1363	301 225 1210	MT-GLAZE 4.7K JA 1/16W	R2043	301 224 9910	MT-GLAZE 22K JA 1/16W
R1364	301 225 0213	MT-GLAZE 3.3K JA 1/16W	R2044	301 224 9910	MT-GLAZE 22K JA 1/16W
R1366	301 224 9019	MT-GLAZE 10K JA 1/16W	R205	301 226 1516	MT-GLAZE 0.000 ZA 1/16W
R1367	301 225 0213	MT-GLAZE 3.3K JA 1/16W	R209	301 226 1516	MT-GLAZE 0.000 ZA 1/16W
R1368	301 224 9019	MT-GLAZE 10K JA 1/16W	R210	301 226 1516	MT-GLAZE 0.000 ZA 1/16W
R1369	301 225 0213	MT-GLAZE 3.3K JA 1/16W	R211	301 225 8813	MT-GLAZE 39 JA 1/16W
R1370	301 226 1516	MT-GLAZE 0.000 ZA 1/16W	R212	301 225 8813	MT-GLAZE 39 JA 1/16W
R1371	301 224 9019	MT-GLAZE 10K JA 1/16W	R213	301 225 8813	MT-GLAZE 39 JA 1/16W
R1378	301 224 9019	MT-GLAZE 10K JA 1/16W	R216	301 226 1516	MT-GLAZE 0.000 ZA 1/16W
R1379	301 225 1210	MT-GLAZE 4.7K JA 1/16W	R217	301 226 1516	MT-GLAZE 0.000 ZA 1/16W
R1380	301 226 1516	MT-GLAZE 0.000 ZA 1/16W	R218	301 226 1516	MT-GLAZE 0.000 ZA 1/16W
R1387	301 225 0213	MT-GLAZE 3.3K JA 1/16W	R2201	301 225 8110	MT-GLAZE 10 JA 1/16W
R1388	301 225 0213	MT-GLAZE 3.3K JA 1/16W	R2202	301 225 2019	MT-GLAZE 680 JA 1/16W
R1390	301 226 1516	MT-GLAZE 0.000 ZA 1/16W	R2204	301 225 2019	MT-GLAZE 680 JA 1/16W
R1393	301 294 3115	MT-GLAZE 1K FA 1/16W	R2206	301 225 8110	MT-GLAZE 10 JA 1/16W
R1394	301 255 9019	MT-GLAZE 82 JA 1/10W	R2208	301 298 6518	MT-GLAZE 3.3K FA 1/16W
R1395	301 294 3115	MT-GLAZE 1K FA 1/16W	R2209	301 294 2613	MT-GLAZE 4.7K FA 1/16W
R1398	301 224 9019	MT-GLAZE 10K JA 1/16W	R221	301 225 8813	MT-GLAZE 39 JA 1/16W
R1399	301 224 9019	MT-GLAZE 10K JA 1/16W	R222	301 225 8813	MT-GLAZE 39 JA 1/16W
R1410	301 225 1210	MT-GLAZE 4.7K JA 1/16W	R223	301 225 8813	MT-GLAZE 39 JA 1/16W
R1415	301 225 1210	MT-GLAZE 4.7K JA 1/16W	R2234	301 225 8110	MT-GLAZE 10 JA 1/16W
R1416	301 226 1516	MT-GLAZE 0.000 ZA 1/16W	R2236	301 224 9712	MT-GLAZE 22 JA 1/16W
R1417	301 226 1516	MT-GLAZE 0.000 ZA 1/16W	R2241	301 224 9712	MT-GLAZE 22 JA 1/16W
R1419	301 225 8110	MT-GLAZE 10 JA 1/16W	R2301	301 225 0312	MT-GLAZE 33 JA 1/16W
R1421	301 224 9712	MT-GLAZE 22 JA 1/16W	R2302	301 224 9019	MT-GLAZE 10K JA 1/16W
R1423	301 224 9712	MT-GLAZE 22 JA 1/16W	R2303	301 224 9019	MT-GLAZE 10K JA 1/16W
R1426	301 224 9712	MT-GLAZE 22 JA 1/16W	R2309	301 224 9019	MT-GLAZE 10K JA 1/16W
R1429	301 224 8814	MT-GLAZE 100 JA 1/16W	R2311	301 224 9019	MT-GLAZE 10K JA 1/16W
R1431	301 224 9712	MT-GLAZE 22 JA 1/16W	R2313	301 224 9019	MT-GLAZE 10K JA 1/16W
R1433	301 224 9712	MT-GLAZE 22 JA 1/16W	R2319	301 224 9019	MT-GLAZE 10K JA 1/16W
R1437	301 224 9712	MT-GLAZE 22 JA 1/16W	R2322	301 224 9019	MT-GLAZE 10K JA 1/16W
R1441	301 294 4518	MT-GLAZE 18K FA 1/16W	R2324	301 224 9019	MT-GLAZE 10K JA 1/16W
R1442	301 287 2227	MT-GLAZE 22K FA 1/16W	R2326	301 224 9019	MT-GLAZE 10K JA 1/16W
R1443	301 294 3511	MT-GLAZE 27K FA 1/16W	R2327	301 224 9019	MT-GLAZE 10K JA 1/16W

Electrical Parts List

KK8-WXL20000

Key No.	Part No.	Description	Key No.	Part No.	Description
R2333	301 224 9712	MT-GLAZE 22 JA 1/16W	R2549	301 224 8913	MT-GLAZE 100K JA 1/16W
R2334	301 224 9712	MT-GLAZE 22 JA 1/16W	R2561	301 225 8110	MT-GLAZE 10 JA 1/16W
R2335	301 298 5511	MT-GLAZE 8.2K FA 1/16W	R2563	301 225 0213	MT-GLAZE 3.3K JA 1/16W
R2336	301 224 9415	MT-GLAZE 1M JA 1/16W	R2564	301 259 2115	MT-GLAZE 1 JA 1/16W
R2337	301 224 9019	MT-GLAZE 10K JA 1/16W	R2567	301 225 0213	MT-GLAZE 3.3K JA 1/16W
R2338	301 224 8814	MT-GLAZE 100 JA 1/16W	R2568	301 259 2115	MT-GLAZE 1 JA 1/16W
R2339	301 224 9712	MT-GLAZE 22 JA 1/16W	R2800	301 256 0312	MT-GLAZE 820 JA 1/10W
R2341	301 224 9712	MT-GLAZE 22 JA 1/16W	R2804	301 224 8913	MT-GLAZE 100K JA 1/16W
R2342	301 224 9712	MT-GLAZE 22 JA 1/16W	R2810	301 224 8913	MT-GLAZE 100K JA 1/16W
R2343	301 224 9712	MT-GLAZE 22 JA 1/16W	R2812	301 224 8913	MT-GLAZE 100K JA 1/16W
R2344	301 224 9712	MT-GLAZE 22 JA 1/16W	R2813	301 224 8913	MT-GLAZE 100K JA 1/16W
R2345	301 224 9712	MT-GLAZE 22 JA 1/16W	R2814	301 224 8913	MT-GLAZE 100K JA 1/16W
R2346	301 225 1814	MT-GLAZE 47 JA 1/16W	R2815	301 224 9316	MT-GLAZE 1K JA 1/16W
R2348	301 224 9712	MT-GLAZE 22 JA 1/16W	R2816	301 224 9316	MT-GLAZE 1K JA 1/16W
R2349	301 225 1814	MT-GLAZE 47 JA 1/16W	R2817	301 224 9316	MT-GLAZE 1K JA 1/16W
R2353	301 224 9019	MT-GLAZE 10K JA 1/16W	R2818	301 224 9316	MT-GLAZE 1K JA 1/16W
R2356	301 224 9019	MT-GLAZE 10K JA 1/16W	R2823	301 224 8814	MT-GLAZE 100 JA 1/16W
R2357	301 224 9019	MT-GLAZE 10K JA 1/16W	R2831	301 260 4016	MT-GLAZE 68 JA 1/3W
R2359	301 224 9019	MT-GLAZE 10K JA 1/16W	R2837	301 224 9316	MT-GLAZE 1K JA 1/16W
R2362	301 224 9019	MT-GLAZE 10K JA 1/16W	R2838	301 224 9019	MT-GLAZE 10K JA 1/16W
R2365	301 224 9316	MT-GLAZE 1K JA 1/16W	R2839	301 224 9019	MT-GLAZE 10K JA 1/16W
R2369	301 259 7823	MT-GLAZE 20K JA 1/16W	R301	301 225 0114	MT-GLAZE 27K JA 1/16W
R2373	301 263 6928	MT-GLAZE 2K JA 1/16W	R303	301 224 9019	MT-GLAZE 10K JA 1/16W
R2374	301 263 6928	MT-GLAZE 2K JA 1/16W	R304	301 224 9019	MT-GLAZE 10K JA 1/16W
R2375	301 298 5818	MT-GLAZE 9.1K FA 1/16W	R308	401 344 1914	MT-GLAZE 10K DA 1/16W
R2376	301 294 3115	MT-GLAZE 1K FA 1/16W	R309	301 224 9019	MT-GLAZE 10K JA 1/16W
R2377	301 294 3016	MT-GLAZE 10K FA 1/16W	R311	301 263 7420	MT-GLAZE 75 JA 1/16W
R2378	301 294 3115	MT-GLAZE 1K FA 1/16W	R312	301 263 7420	MT-GLAZE 75 JA 1/16W
R2379	301 294 3115	MT-GLAZE 1K FA 1/16W	R313	301 263 7420	MT-GLAZE 75 JA 1/16W
R2381	301 224 9019	MT-GLAZE 10K JA 1/16W	R314	401 342 7314	MT-GLAZE 23.2K FA 1/16W
R2385	301 263 6928	MT-GLAZE 2K JA 1/16W	R316	301 224 9019	MT-GLAZE 10K JA 1/16W
R2386	301 224 9019	MT-GLAZE 10K JA 1/16W	R317	301 224 9019	MT-GLAZE 10K JA 1/16W
R2387	301 224 9316	MT-GLAZE 1K JA 1/16W	R318	301 298 5511	MT-GLAZE 8.2K FA 1/16W
R2388	301 224 9316	MT-GLAZE 1K JA 1/16W	R321	301 224 9712	MT-GLAZE 22 JA 1/16W
R2389	301 224 9316	MT-GLAZE 1K JA 1/16W	R322	301 224 9712	MT-GLAZE 22 JA 1/16W
R2390	301 259 7823	MT-GLAZE 20K JA 1/16W	R323	301 225 0312	MT-GLAZE 33 JA 1/16W
R2391	301 224 9316	MT-GLAZE 1K JA 1/16W	R324	301 294 4518	MT-GLAZE 18K FA 1/16W
R2392	301 224 9316	MT-GLAZE 1K JA 1/16W	R325	301 224 9019	MT-GLAZE 10K JA 1/16W
R2393	301 224 9316	MT-GLAZE 1K JA 1/16W	R326	301 225 1814	MT-GLAZE 47 JA 1/16W
R2395	301 336 8818	MT-GLAZE 6.8K FA 1/16W	R327	301 225 1814	MT-GLAZE 47 JA 1/16W
R2396	301 294 3016	MT-GLAZE 10K FA 1/16W	R328	301 224 9712	MT-GLAZE 22 JA 1/16W
R2397	301 294 3016	MT-GLAZE 10K FA 1/16W	R329	301 225 1814	MT-GLAZE 47 JA 1/16W
R2398	301 263 6928	MT-GLAZE 2K JA 1/16W	R336	301 225 1814	MT-GLAZE 47 JA 1/16W
R2501	301 225 8110	MT-GLAZE 10 JA 1/16W	R337	301 225 1814	MT-GLAZE 47 JA 1/16W
R2503	301 225 0213	MT-GLAZE 3.3K JA 1/16W	R338	301 226 1516	MT-GLAZE 0.000 ZA 1/16W
R2504	301 259 2115	MT-GLAZE 1 JA 1/16W	R351	301 224 8814	MT-GLAZE 100 JA 1/16W
R2507	301 225 0213	MT-GLAZE 3.3K JA 1/16W	R352	301 224 8814	MT-GLAZE 100 JA 1/16W
R2508	301 259 2115	MT-GLAZE 1 JA 1/16W	R353	301 224 8814	MT-GLAZE 100 JA 1/16W
R2523	301 224 8913	MT-GLAZE 100K JA 1/16W	R354	301 224 9019	MT-GLAZE 10K JA 1/16W
R2531	301 225 8110	MT-GLAZE 10 JA 1/16W	R356	301 226 1516	MT-GLAZE 0.000 ZA 1/16W
R2533	301 225 0213	MT-GLAZE 3.3K JA 1/16W	R361	301 224 9019	MT-GLAZE 10K JA 1/16W
R2534	301 259 2115	MT-GLAZE 1 JA 1/16W	R362	301 224 9019	MT-GLAZE 10K JA 1/16W
R2537	301 225 0213	MT-GLAZE 3.3K JA 1/16W	R366	301 224 9019	MT-GLAZE 10K JA 1/16W
R2538	301 259 2115	MT-GLAZE 1 JA 1/16W	R367	301 226 1516	MT-GLAZE 0.000 ZA 1/16W
R2546	301 224 8913	MT-GLAZE 100K JA 1/16W	R371	301 224 9019	MT-GLAZE 10K JA 1/16W
			R372	301 224 9019	MT-GLAZE 10K JA 1/16W

Electrical Parts List

KK8-WXL20000

Key No.	Part No.	Description	Key No.	Part No.	Description
R373	301 224 9019	MT-GLAZE 10K JA 1/16W	R444	301 224 9712	MT-GLAZE 22 JA 1/16W
R376	301 224 9019	MT-GLAZE 10K JA 1/16W	R445	301 224 9712	MT-GLAZE 22 JA 1/16W
R377	301 224 9019	MT-GLAZE 10K JA 1/16W	R446	301 224 9712	MT-GLAZE 22 JA 1/16W
R378	301 224 9019	MT-GLAZE 10K JA 1/16W	R447	301 224 9712	MT-GLAZE 22 JA 1/16W
R379	301 224 9019	MT-GLAZE 10K JA 1/16W	R4477	301 224 9019	MT-GLAZE 10K JA 1/16W
R3801	301 224 8814	MT-GLAZE 100 JA 1/16W	R448	301 224 9019	MT-GLAZE 10K JA 1/16W
R3802	301 224 8814	MT-GLAZE 100 JA 1/16W	R449	301 224 9019	MT-GLAZE 10K JA 1/16W
R3806	301 224 8814	MT-GLAZE 100 JA 1/16W	R451	301 224 9019	MT-GLAZE 10K JA 1/16W
R3807	301 224 8814	MT-GLAZE 100 JA 1/16W	R466	301 226 1516	MT-GLAZE 0.000 ZA 1/16W
R3808	301 224 9019	MT-GLAZE 10K JA 1/16W	R4701	301 224 9712	MT-GLAZE 22 JA 1/16W
R381	301 224 9316	MT-GLAZE 1K JA 1/16W	R4703	301 224 9712	MT-GLAZE 22 JA 1/16W
R382	301 226 1516	MT-GLAZE 0.000 ZA 1/16W	R4709	301 224 9316	MT-GLAZE 1K JA 1/16W
R3861	301 225 1210	MT-GLAZE 4.7K JA 1/16W	R4711	301 224 9019	MT-GLAZE 10K JA 1/16W
R3863	301 225 1210	MT-GLAZE 4.7K JA 1/16W	R4716	301 224 9019	MT-GLAZE 10K JA 1/16W
R3865	301 225 1210	MT-GLAZE 4.7K JA 1/16W	R4729	301 224 9316	MT-GLAZE 1K JA 1/16W
R389	301 225 0213	MT-GLAZE 3.3K JA 1/16W	R4730	301 224 9316	MT-GLAZE 1K JA 1/16W
R392	301 265 4516	MT-GLAZE 68K FA 1/10W	R4801	301 224 9415	MT-GLAZE 1M JA 1/16W
R4001	301 265 0112	MT-GLAZE 39 FA 1/10W	R4802	301 225 0015	MT-GLAZE 270 JA 1/16W
R4002	301 265 0112	MT-GLAZE 39 FA 1/10W	R4803	301 224 9019	MT-GLAZE 10K JA 1/16W
R4003	301 265 0112	MT-GLAZE 39 FA 1/10W	R4813	301 224 9019	MT-GLAZE 10K JA 1/16W
R4004	301 265 4912	MT-GLAZE 75 FA 1/10W	R4814	301 224 9217	MT-GLAZE 15K JA 1/16W
R4006	301 265 4912	MT-GLAZE 75 FA 1/10W	R4815	301 224 9019	MT-GLAZE 10K JA 1/16W
R4011	301 224 8814	MT-GLAZE 100 JA 1/16W	R4816	301 225 0213	MT-GLAZE 3.3K JA 1/16W
R4012	301 224 9019	MT-GLAZE 10K JA 1/16W	R4818	301 225 0213	MT-GLAZE 3.3K JA 1/16W
R406	301 224 9712	MT-GLAZE 22 JA 1/16W	R4819	301 224 9019	MT-GLAZE 10K JA 1/16W
R407	301 224 9712	MT-GLAZE 22 JA 1/16W	R4821	301 225 0213	MT-GLAZE 3.3K JA 1/16W
R408	301 224 9712	MT-GLAZE 22 JA 1/16W	R4829	301 226 1516	MT-GLAZE 0.000 ZA 1/16W
R411	301 224 9712	MT-GLAZE 22 JA 1/16W	R483	301 225 8110	MT-GLAZE 10 JA 1/16W
R412	301 224 9712	MT-GLAZE 22 JA 1/16W	R4831	301 226 1516	MT-GLAZE 0.000 ZA 1/16W
R413	301 224 9712	MT-GLAZE 22 JA 1/16W	R4834	301 224 9019	MT-GLAZE 10K JA 1/16W
R414	301 224 9712	MT-GLAZE 22 JA 1/16W	R4835	301 227 5612	MT-GLAZE 8.2K JA 1/16W
R415	301 224 9712	MT-GLAZE 22 JA 1/16W	R4836	301 227 5612	MT-GLAZE 8.2K JA 1/16W
R416	301 224 9712	MT-GLAZE 22 JA 1/16W	R4837	301 227 5612	MT-GLAZE 8.2K JA 1/16W
R417	301 224 9712	MT-GLAZE 22 JA 1/16W	R4838	301 227 5612	MT-GLAZE 8.2K JA 1/16W
R418	301 224 9712	MT-GLAZE 22 JA 1/16W	R4842	301 224 9019	MT-GLAZE 10K JA 1/16W
R419	301 224 9712	MT-GLAZE 22 JA 1/16W	R4843	301 225 3818	MT-GLAZE 1.5K JA 1/16W
R420	301 224 9712	MT-GLAZE 22 JA 1/16W	R4848	301 224 9019	MT-GLAZE 10K JA 1/16W
R421	301 224 9712	MT-GLAZE 22 JA 1/16W	R4850	301 225 1210	MT-GLAZE 4.7K JA 1/16W
R422	301 224 9712	MT-GLAZE 22 JA 1/16W	R4852	301 224 9019	MT-GLAZE 10K JA 1/16W
R423	301 224 9712	MT-GLAZE 22 JA 1/16W	R4853	301 224 9019	MT-GLAZE 10K JA 1/16W
R424	301 224 9712	MT-GLAZE 22 JA 1/16W	R4855	301 224 8814	MT-GLAZE 100 JA 1/16W
R425	301 224 9712	MT-GLAZE 22 JA 1/16W	R4856	301 226 1516	MT-GLAZE 0.000 ZA 1/16W
R426	301 224 9712	MT-GLAZE 22 JA 1/16W	R4857	301 226 1516	MT-GLAZE 0.000 ZA 1/16W
R427	301 224 9712	MT-GLAZE 22 JA 1/16W	R4858	301 226 5415	MT-GLAZE 56 JA 1/16W
R428	301 224 9712	MT-GLAZE 22 JA 1/16W	R4859	301 224 9019	MT-GLAZE 10K JA 1/16W
R431	301 224 9712	MT-GLAZE 22 JA 1/16W	R4860	301 224 9415	MT-GLAZE 1M JA 1/16W
R432	301 224 9712	MT-GLAZE 22 JA 1/16W	R4861	301 226 1516	MT-GLAZE 0.000 ZA 1/16W
R433	301 224 9712	MT-GLAZE 22 JA 1/16W	R4862	301 226 1516	MT-GLAZE 0.000 ZA 1/16W
R434	301 224 9712	MT-GLAZE 22 JA 1/16W	R4863	301 226 1516	MT-GLAZE 0.000 ZA 1/16W
R435	301 224 9712	MT-GLAZE 22 JA 1/16W	R4864	301 226 1516	MT-GLAZE 0.000 ZA 1/16W
R436	301 224 9712	MT-GLAZE 22 JA 1/16W	R4866	301 224 9316	MT-GLAZE 1K JA 1/16W
R437	301 224 9712	MT-GLAZE 22 JA 1/16W	R4882	301 224 9019	MT-GLAZE 10K JA 1/16W
R438	301 224 9712	MT-GLAZE 22 JA 1/16W	R4883	301 224 9019	MT-GLAZE 10K JA 1/16W
R439	301 224 9712	MT-GLAZE 22 JA 1/16W	R4884	301 224 9019	MT-GLAZE 10K JA 1/16W
R441	301 226 1516	MT-GLAZE 0.000 ZA 1/16W	R4885	301 224 9019	MT-GLAZE 10K JA 1/16W
R442	301 224 9712	MT-GLAZE 22 JA 1/16W			

Electrical Parts List

KK8-WXL20000

Key No. Part No. Description				Key No. Part No. Description			
R4886	301 224 9019	MT-GLAZE	10K JA 1/16W	R5272	301 225 8110	MT-GLAZE	10 JA 1/16W
R4887	301 224 9019	MT-GLAZE	10K JA 1/16W	R5274	301 224 9019	MT-GLAZE	10K JA 1/16W
R4890	301 225 1210	MT-GLAZE	4.7K JA 1/16W	R5278	301 224 9019	MT-GLAZE	10K JA 1/16W
R4893	301 225 1210	MT-GLAZE	4.7K JA 1/16W	R5279	301 224 9019	MT-GLAZE	10K JA 1/16W
R4894	301 225 1210	MT-GLAZE	4.7K JA 1/16W	R5281	301 224 9019	MT-GLAZE	10K JA 1/16W
R4896	301 225 1210	MT-GLAZE	4.7K JA 1/16W	R5282	301 224 9019	MT-GLAZE	10K JA 1/16W
R4897	301 225 1210	MT-GLAZE	4.7K JA 1/16W	R5283	301 225 8813	MT-GLAZE	39 JA 1/16W
R4899	301 225 1210	MT-GLAZE	4.7K JA 1/16W	R5284	301 225 8813	MT-GLAZE	39 JA 1/16W
R502	301 226 1516	MT-GLAZE	0.000 ZA 1/16W	R5285	301 225 8813	MT-GLAZE	39 JA 1/16W
R504	301 226 1516	MT-GLAZE	0.000 ZA 1/16W	R5288	301 224 9019	MT-GLAZE	10K JA 1/16W
R5044	301 224 9019	MT-GLAZE	10K JA 1/16W	R5294	301 224 8814	MT-GLAZE	100 JA 1/16W
R5045	301 224 8913	MT-GLAZE	100K JA 1/16W	R5295	301 298 5511	MT-GLAZE	8.2K FA 1/16W
R5046	301 224 8913	MT-GLAZE	100K JA 1/16W	R5296	301 298 5818	MT-GLAZE	9.1K FA 1/16W
R5047	301 224 9415	MT-GLAZE	1M JA 1/16W	R5297	301 294 3511	MT-GLAZE	27K FA 1/16W
R5048	301 224 9316	MT-GLAZE	1K JA 1/16W	R5301	301 224 8814	MT-GLAZE	100 JA 1/16W
R5049	301 224 9910	MT-GLAZE	22K JA 1/16W	R5302	301 224 8814	MT-GLAZE	100 JA 1/16W
R505	301 224 9316	MT-GLAZE	1K JA 1/16W	R5303	301 224 8814	MT-GLAZE	100 JA 1/16W
R510	301 225 8110	MT-GLAZE	10 JA 1/16W	R5304	301 224 8814	MT-GLAZE	100 JA 1/16W
R512	301 224 9019	MT-GLAZE	10K JA 1/16W	R5316	301 226 1516	MT-GLAZE	0.000 ZA 1/16W
R5201	301 225 8110	MT-GLAZE	10 JA 1/16W	R5317	301 226 1516	MT-GLAZE	0.000 ZA 1/16W
R5202	301 225 8110	MT-GLAZE	10 JA 1/16W	R5318	301 226 1516	MT-GLAZE	0.000 ZA 1/16W
R5203	301 225 8110	MT-GLAZE	10 JA 1/16W	R5341	301 225 8813	MT-GLAZE	39 JA 1/16W
R5211	301 225 0312	MT-GLAZE	33 JA 1/16W	R5342	301 225 8813	MT-GLAZE	39 JA 1/16W
R5212	301 225 0312	MT-GLAZE	33 JA 1/16W	R5343	301 225 8813	MT-GLAZE	39 JA 1/16W
R5213	301 225 0312	MT-GLAZE	33 JA 1/16W	R5344	301 226 1516	MT-GLAZE	0.000 ZA 1/16W
R5215	301 225 0312	MT-GLAZE	33 JA 1/16W	R5345	301 226 1516	MT-GLAZE	0.000 ZA 1/16W
R5216	301 225 0312	MT-GLAZE	33 JA 1/16W	R5346	301 226 1516	MT-GLAZE	0.000 ZA 1/16W
R5218	301 225 8110	MT-GLAZE	10 JA 1/16W	R535	301 224 9316	MT-GLAZE	1K JA 1/16W
R5222	301 226 1516	MT-GLAZE	0.000 ZA 1/16W	R5355	301 294 2613	MT-GLAZE	4.7K FA 1/16W
R5223	301 224 9316	MT-GLAZE	1K JA 1/16W	R5356	301 294 2613	MT-GLAZE	4.7K FA 1/16W
R5224	301 224 9316	MT-GLAZE	1K JA 1/16W	R5370	301 224 9712	MT-GLAZE	22 JA 1/16W
R5225	301 225 0213	MT-GLAZE	3.3K JA 1/16W	R5371	301 224 9712	MT-GLAZE	22 JA 1/16W
R5235	301 224 9019	MT-GLAZE	10K JA 1/16W	R5372	301 224 9712	MT-GLAZE	22 JA 1/16W
R5236	301 224 9019	MT-GLAZE	10K JA 1/16W	R5375	301 294 2613	MT-GLAZE	4.7K FA 1/16W
R5237	301 224 9316	MT-GLAZE	1K JA 1/16W	R5376	301 294 2613	MT-GLAZE	4.7K FA 1/16W
R5238	301 224 9316	MT-GLAZE	1K JA 1/16W	R540	301 225 8110	MT-GLAZE	10 JA 1/16W
R5239	301 224 9316	MT-GLAZE	1K JA 1/16W	R542	301 224 9019	MT-GLAZE	10K JA 1/16W
R5242	301 225 0312	MT-GLAZE	33 JA 1/16W	R5501	301 190 1710	MT-GLAZE	0.000 ZA 1W
R5248	301 224 9316	MT-GLAZE	1K JA 1/16W	R5507	301 036 9917	MT-GLAZE	560 JA 1/8W
R5251	301 224 9019	MT-GLAZE	10K JA 1/16W	R5521	301 190 1710	MT-GLAZE	0.000 ZA 1W
R5253	301 225 0213	MT-GLAZE	3.3K JA 1/16W	R5527	301 036 9917	MT-GLAZE	560 JA 1/8W
R5254	301 224 9019	MT-GLAZE	10K JA 1/16W	R5534	301 224 9316	MT-GLAZE	1K JA 1/16W
R5255	301 224 9019	MT-GLAZE	10K JA 1/16W	R5535	301 224 9613	MT-GLAZE	2.7K JA 1/16W
R5256	301 224 9316	MT-GLAZE	1K JA 1/16W	R5541	301 224 9019	MT-GLAZE	10K JA 1/16W
R5257	301 301 3510	MT-GLAZE	200 JA 1/16W	R5542	301 224 9019	MT-GLAZE	10K JA 1/16W
R5258	301 224 9316	MT-GLAZE	1K JA 1/16W	R5545	301 224 8814	MT-GLAZE	100 JA 1/16W
R5259	301 224 9019	MT-GLAZE	10K JA 1/16W	R5547	301 225 0619	MT-GLAZE	5.6K JA 1/16W
R5260	301 224 9019	MT-GLAZE	10K JA 1/16W	R5548	301 225 3818	MT-GLAZE	1.5K JA 1/16W
R5261	301 225 0312	MT-GLAZE	33 JA 1/16W	R5549	301 263 6928	MT-GLAZE	2K JA 1/16W
R5262	301 224 9019	MT-GLAZE	10K JA 1/16W	R5551	301 224 9316	MT-GLAZE	1K JA 1/16W
R5263	301 225 8110	MT-GLAZE	10 JA 1/16W	R5553	301 224 9019	MT-GLAZE	10K JA 1/16W
R5264	301 224 9019	MT-GLAZE	10K JA 1/16W	R5554	301 224 8913	MT-GLAZE	100K JA 1/16W
R5265	301 224 9712	MT-GLAZE	22 JA 1/16W	R5555	301 224 9019	MT-GLAZE	10K JA 1/16W
R5269	301 224 9019	MT-GLAZE	10K JA 1/16W	R5556	301 224 8913	MT-GLAZE	100K JA 1/16W
R5270	301 224 9019	MT-GLAZE	10K JA 1/16W	R5559	301 234 9917	MT-GLAZE	6.8K JA 1/16W
R5271	301 225 8110	MT-GLAZE	10 JA 1/16W	R5560	301 234 9917	MT-GLAZE	6.8K JA 1/16W

Key No.	Part No.	Description	Key No.	Part No.	Description
R5561	301 190 1710	MT-GLAZE 0.000 ZA 1W	R5873	301 237 2915	MT-GLAZE 51 JA 1/16W
R5562	301 224 9316	MT-GLAZE 1K JA 1/16W	R5874	301 225 1319	MT-GLAZE 470 JA 1/16W
R5563	301 225 1210	MT-GLAZE 4.7K JA 1/16W	R5882	301 224 9316	MT-GLAZE 1K JA 1/16W
R5564	301 224 9316	MT-GLAZE 1K JA 1/16W	R5893	301 224 9019	MT-GLAZE 10K JA 1/16W
R5566	301 225 1210	MT-GLAZE 4.7K JA 1/16W	R5894	301 224 9910	MT-GLAZE 22K JA 1/16W
R5567	301 036 9917	MT-GLAZE 560 JA 1/8W	R5895	301 225 8011	MT-GLAZE 330 JA 1/16W
R5575	301 225 8110	MT-GLAZE 10 JA 1/16W	R5896	301 225 7915	MT-GLAZE 220 JA 1/16W
R5576	301 225 8110	MT-GLAZE 10 JA 1/16W	R5897	301 225 8011	MT-GLAZE 330 JA 1/16W
R5577	301 225 8110	MT-GLAZE 10 JA 1/16W	R5898	301 225 8011	MT-GLAZE 330 JA 1/16W
R5578	301 225 8110	MT-GLAZE 10 JA 1/16W	R595	301 224 9019	MT-GLAZE 10K JA 1/16W
R565	301 224 9316	MT-GLAZE 1K JA 1/16W	R596	301 235 0012	MT-GLAZE 7.5K JA 1/16W
R5682	301 224 9019	MT-GLAZE 10K JA 1/16W	R597	301 301 3718	MT-GLAZE 2K FA 1/16W
R5686	301 294 3214	MT-GLAZE 47K FA 1/16W	R598	301 301 3718	MT-GLAZE 2K FA 1/16W
R5687	401 343 0512	MT-GLAZE 7.5K FA 1/16W	R6501	301 225 8110	MT-GLAZE 10 JA 1/16W
R5688	301 287 2227	MT-GLAZE 22K FA 1/16W	R6502	301 225 8110	MT-GLAZE 10 JA 1/16W
R570	301 225 8110	MT-GLAZE 10 JA 1/16W	R6505	301 102 7410	MT-GLAZE 10 JA 1W
R572	301 224 9019	MT-GLAZE 10K JA 1/16W	R6506	301 102 7410	MT-GLAZE 10 JA 1W
R5751	301 224 9019	MT-GLAZE 10K JA 1/16W	R6509	301 224 9316	MT-GLAZE 1K JA 1/16W
R5752	301 225 1210	MT-GLAZE 4.7K JA 1/16W	R6511	301 036 9917	MT-GLAZE 560 JA 1/8W
R5753	301 224 9316	MT-GLAZE 1K JA 1/16W	R6512	301 224 9019	MT-GLAZE 10K JA 1/16W
R5754	301 224 9019	MT-GLAZE 10K JA 1/16W	R6521	301 102 7410	MT-GLAZE 10 JA 1W
R5800	301 224 8814	MT-GLAZE 100 JA 1/16W	R6522	301 102 7410	MT-GLAZE 10 JA 1W
R5807	301 224 8814	MT-GLAZE 100 JA 1/16W	R6529	301 224 9316	MT-GLAZE 1K JA 1/16W
R5821	301 225 2118	MT-GLAZE 12K JA 1/16W	R6531	301 036 9917	MT-GLAZE 560 JA 1/8W
R5822	301 224 8913	MT-GLAZE 100K JA 1/16W	R6533	301 225 8110	MT-GLAZE 10 JA 1/16W
R5823	301 294 3016	MT-GLAZE 10K FA 1/16W	R6534	301 224 8913	MT-GLAZE 100K JA 1/16W
R5824	301 294 3511	MT-GLAZE 27K FA 1/16W	R6541	301 225 8110	MT-GLAZE 10 JA 1/16W
R5831	301 225 7915	MT-GLAZE 220 JA 1/16W	R6542	301 225 8110	MT-GLAZE 10 JA 1/16W
R5832	301 225 8011	MT-GLAZE 330 JA 1/16W	R6544	301 225 8110	MT-GLAZE 10 JA 1/16W
R5841	301 224 8913	MT-GLAZE 100K JA 1/16W	R6548	301 224 8913	MT-GLAZE 100K JA 1/16W
R5842	301 234 9917	MT-GLAZE 6.8K JA 1/16W	R6561	301 225 8110	MT-GLAZE 10 JA 1/16W
R5843	301 294 3016	MT-GLAZE 10K FA 1/16W	R6562	301 224 8913	MT-GLAZE 100K JA 1/16W
R5844	401 342 7314	MT-GLAZE 23.2K FA 1/16W	R6566	301 225 8110	MT-GLAZE 10 JA 1/16W
R5845	301 284 3326	MT-GLAZE 3K FA 1/16W	R6567	301 224 8913	MT-GLAZE 100K JA 1/16W
R5846	301 225 8011	MT-GLAZE 330 JA 1/16W	R6601	301 224 8913	MT-GLAZE 100K JA 1/16W
R5847	301 224 9019	MT-GLAZE 10K JA 1/16W	R6602	301 234 9917	MT-GLAZE 6.8K JA 1/16W
R5848	301 224 9910	MT-GLAZE 22K JA 1/16W	R6603	301 294 3016	MT-GLAZE 10K FA 1/16W
R5850	301 225 8011	MT-GLAZE 330 JA 1/16W	R6604	401 342 7314	MT-GLAZE 23.2K FA 1/16W
R5853	301 225 8011	MT-GLAZE 330 JA 1/16W	R6605	301 284 3326	MT-GLAZE 3K FA 1/16W
R5854	301 224 9019	MT-GLAZE 10K JA 1/16W	△R6624	945 030 1057	PROTECTOR,IC 3.8A 72V
R5855	301 224 9910	MT-GLAZE 22K JA 1/16W	R6625	301 237 2915	MT-GLAZE 51 JA 1/16W
R5856	301 225 8011	MT-GLAZE 330 JA 1/16W	R6630	301 224 8913	MT-GLAZE 100K JA 1/16W
R5857	301 225 8011	MT-GLAZE 330 JA 1/16W	R6635	301 225 0213	MT-GLAZE 3.3K JA 1/16W
R5858	301 224 9217	MT-GLAZE 15K JA 1/16W	R6640	301 301 7211	MT-GLAZE 3.6K JA 1/16W
R5859	301 224 9910	MT-GLAZE 22K JA 1/16W	R6645	301 284 3613	MT-GLAZE 16K JA 1/16W
R5860	301 225 8011	MT-GLAZE 330 JA 1/16W	R6651	301 224 9316	MT-GLAZE 1K JA 1/16W
R5861	301 234 9917	MT-GLAZE 6.8K JA 1/16W	R6652	301 238 4215	MT-GLAZE 1.5K JA 1/3W
R5862	301 224 9514	MT-GLAZE 2.2K JA 1/16W	R6653	301 255 9712	MT-GLAZE 82K JA 1/10W
R5863	301 294 3016	MT-GLAZE 10K FA 1/16W	R6654	301 225 0114	MT-GLAZE 27K JA 1/16W
R5864	301 298 5511	MT-GLAZE 8.2K FA 1/16W	R6655	301 276 0415	MT-GLAZE 10M JA 1/16W
R5865	301 224 9019	MT-GLAZE 10K JA 1/16W	R6656	301 224 9019	MT-GLAZE 10K JA 1/16W
R5866	301 225 1210	MT-GLAZE 4.7K JA 1/16W	R6657	301 225 0114	MT-GLAZE 27K JA 1/16W
R5867	301 225 2019	MT-GLAZE 680 JA 1/16W	R6658	301 225 0114	MT-GLAZE 27K JA 1/16W
R5869	301 224 9910	MT-GLAZE 22K JA 1/16W	R6659	301 224 9019	MT-GLAZE 10K JA 1/16W
R5871	301 224 8913	MT-GLAZE 100K JA 1/16W	R6660	301 276 3010	MT-GLAZE 75K JA 1/16W
R5872	301 294 4419	MT-GLAZE 1.8K FA 1/16W	R6666	301 035 4111	MT-GLAZE 0.000 ZA 1/8W

Electrical Parts List

KK8-WXL20000

Key No. Part No. Description				Key No. Part No. Description			
R6667	301 224 9019	MT-GLAZE	10K JA 1/16W	R7794	301 225 1210	MT-GLAZE	4.7K JA 1/16W
R6668	301 105 0012	MT-GLAZE	1K JA 1/2W	R7796	301 224 9019	MT-GLAZE	10K JA 1/16W
R6677	301 225 7618	MT-GLAZE	1 JA 1W	R7797	301 224 9019	MT-GLAZE	10K JA 1/16W
△R6684	945 030 1057	PROTECTOR,IC 3.8A 72V		R7798	301 224 9019	MT-GLAZE	10K JA 1/16W
R6689	301 259 7823	MT-GLAZE	20K JA 1/16W	R7799	301 224 9316	MT-GLAZE	1K JA 1/16W
R6690	301 256 5317	MT-GLAZE	56K JA 1/10W	R7801	301 225 8110	MT-GLAZE	10 JA 1/16W
R6691	301 224 9019	MT-GLAZE	10K JA 1/16W	R7802	301 225 8110	MT-GLAZE	10 JA 1/16W
R7609	301 294 4518	MT-GLAZE	18K FA 1/16W	R7821	301 261 1014	MT-GLAZE	2.4K JA 1/16W
R7611	301 224 9019	MT-GLAZE	10K JA 1/16W	R7822	301 294 3313	MT-GLAZE	15K FA 1/16W
R7701	301 276 0415	MT-GLAZE	10M JA 1/16W	R7823	301 328 3913	MT-GLAZE	36K FA 1/16W
R7702	301 237 2915	MT-GLAZE	51 JA 1/16W	R7824	301 224 9316	MT-GLAZE	1K JA 1/16W
R7703	301 225 0114	MT-GLAZE	27K JA 1/16W	R7826	301 224 9316	MT-GLAZE	1K JA 1/16W
R7704	301 224 9019	MT-GLAZE	10K JA 1/16W	R7828	301 294 2811	MT-GLAZE	2.2K FA 1/16W
R7705	301 224 9019	MT-GLAZE	10K JA 1/16W	R7831	301 336 8818	MT-GLAZE	6.8K FA 1/16W
R7706	301 261 1113	MT-GLAZE	24K JA 1/16W	R7832	301 301 3718	MT-GLAZE	2K FA 1/16W
R7707	301 224 9514	MT-GLAZE	2.2K JA 1/16W	R7837	301 224 9019	MT-GLAZE	10K JA 1/16W
R7708	301 234 9917	MT-GLAZE	6.8K JA 1/16W	R7838	301 224 9316	MT-GLAZE	1K JA 1/16W
R7711	301 224 9019	MT-GLAZE	10K JA 1/16W	R7841	301 261 1014	MT-GLAZE	2.4K JA 1/16W
R7712	301 224 9019	MT-GLAZE	10K JA 1/16W	R7842	301 294 3313	MT-GLAZE	15K FA 1/16W
R7713	301 224 9316	MT-GLAZE	1K JA 1/16W	R7843	301 294 3214	MT-GLAZE	47K FA 1/16W
R7714	301 234 9917	MT-GLAZE	6.8K JA 1/16W	R7844	301 224 9316	MT-GLAZE	1K JA 1/16W
R7715	301 299 5312	MT-GLAZE	12K FA 1/16W	R7846	301 224 9316	MT-GLAZE	1K JA 1/16W
R7717	301 224 9019	MT-GLAZE	10K JA 1/16W	R7848	301 298 6518	MT-GLAZE	3.3K FA 1/16W
R7718	301 224 9316	MT-GLAZE	1K JA 1/16W	R7850	301 336 8818	MT-GLAZE	6.8K FA 1/16W
R7721	301 276 0415	MT-GLAZE	10M JA 1/16W	R7851	301 336 8818	MT-GLAZE	6.8K FA 1/16W
R7722	301 237 2915	MT-GLAZE	51 JA 1/16W	R7852	301 301 3718	MT-GLAZE	2K FA 1/16W
R7723	301 225 0114	MT-GLAZE	27K JA 1/16W	R7855	301 224 9019	MT-GLAZE	10K JA 1/16W
R7724	301 224 9019	MT-GLAZE	10K JA 1/16W	R7856	301 224 9316	MT-GLAZE	1K JA 1/16W
R7725	301 224 9019	MT-GLAZE	10K JA 1/16W	R7857	301 224 9019	MT-GLAZE	10K JA 1/16W
R7726	301 261 1113	MT-GLAZE	24K JA 1/16W	R7858	301 224 9316	MT-GLAZE	1K JA 1/16W
R7727	301 224 9514	MT-GLAZE	2.2K JA 1/16W	R7861	301 261 1014	MT-GLAZE	2.4K JA 1/16W
R7728	301 234 9917	MT-GLAZE	6.8K JA 1/16W	R7862	301 294 3313	MT-GLAZE	15K FA 1/16W
R7731	301 224 9019	MT-GLAZE	10K JA 1/16W	R7863	301 328 3913	MT-GLAZE	36K FA 1/16W
R7732	301 224 9019	MT-GLAZE	10K JA 1/16W	R7864	301 224 9316	MT-GLAZE	1K JA 1/16W
R7733	301 224 9316	MT-GLAZE	1K JA 1/16W	R7866	301 224 9316	MT-GLAZE	1K JA 1/16W
R7734	301 234 9917	MT-GLAZE	6.8K JA 1/16W	R7867	301 294 2811	MT-GLAZE	2.2K FA 1/16W
R7735	301 299 5312	MT-GLAZE	12K FA 1/16W	R7871	301 336 8818	MT-GLAZE	6.8K FA 1/16W
R7737	301 224 9019	MT-GLAZE	10K JA 1/16W	R7872	301 301 3718	MT-GLAZE	2K FA 1/16W
R7738	301 224 9316	MT-GLAZE	1K JA 1/16W	R7881	301 261 1014	MT-GLAZE	2.4K JA 1/16W
R7740	301 224 9019	MT-GLAZE	10K JA 1/16W	R7882	301 294 3313	MT-GLAZE	15K FA 1/16W
R7741	301 224 9316	MT-GLAZE	1K JA 1/16W	R7883	301 287 2227	MT-GLAZE	22K FA 1/16W
R7746	301 224 9019	MT-GLAZE	10K JA 1/16W	R7884	301 224 9316	MT-GLAZE	1K JA 1/16W
R7747	301 224 9316	MT-GLAZE	1K JA 1/16W	R7886	301 224 9316	MT-GLAZE	1K JA 1/16W
R7750	301 224 9019	MT-GLAZE	10K JA 1/16W	R7888	301 298 6518	MT-GLAZE	3.3K FA 1/16W
R7751	301 224 9316	MT-GLAZE	1K JA 1/16W	R7890	301 299 2410	MT-GLAZE	5.6K FA 1/16W
R7754	301 224 9019	MT-GLAZE	10K JA 1/16W	R7891	301 299 5114	MT-GLAZE	6.2K FA 1/16W
R7755	301 224 9316	MT-GLAZE	1K JA 1/16W	R7892	301 301 3718	MT-GLAZE	2K FA 1/16W
R7781	301 234 9917	MT-GLAZE	6.8K JA 1/16W	R7894	301 224 9019	MT-GLAZE	10K JA 1/16W
R7784	301 224 9316	MT-GLAZE	1K JA 1/16W	R7895	301 224 9316	MT-GLAZE	1K JA 1/16W
R7785	301 225 0114	MT-GLAZE	27K JA 1/16W	R7921	301 261 1014	MT-GLAZE	2.4K JA 1/16W
R7786	301 224 9316	MT-GLAZE	1K JA 1/16W	R7922	301 294 3313	MT-GLAZE	15K FA 1/16W
R7787	301 225 0114	MT-GLAZE	27K JA 1/16W	R7923	301 328 3913	MT-GLAZE	36K FA 1/16W
R7788	301 224 9019	MT-GLAZE	10K JA 1/16W	R7924	301 224 9316	MT-GLAZE	1K JA 1/16W
R7789	301 225 0114	MT-GLAZE	27K JA 1/16W	R7926	301 224 9316	MT-GLAZE	1K JA 1/16W
R7792	301 224 9019	MT-GLAZE	10K JA 1/16W	R7928	301 294 2811	MT-GLAZE	2.2K FA 1/16W
R7793	301 224 9019	MT-GLAZE	10K JA 1/16W	R7931	301 336 8818	MT-GLAZE	6.8K FA 1/16W

Electrical Parts List

KK8-WXL20000

Key No.	Part No.	Description	Key No.	Part No.	Description
R7932	301 301 3718	MT-GLAZE 2K FA 1/16W	R8202	301 225 0015	MT-GLAZE 270 JA 1/16W
R7934	301 224 9019	MT-GLAZE 10K JA 1/16W	R8203	301 225 0015	MT-GLAZE 270 JA 1/16W
R7935	301 224 9316	MT-GLAZE 1K JA 1/16W	R8204	301 225 0015	MT-GLAZE 270 JA 1/16W
R8001	301 264 5316	MT-GLAZE 2.2 JA 1/10W	R8212	301 225 1913	MT-GLAZE 68 JA 1/16W
R8002	301 264 5316	MT-GLAZE 2.2 JA 1/10W	R8213	301 226 5514	MT-GLAZE 120 JA 1/16W
R8004	301 224 9415	MT-GLAZE 1M JA 1/16W	R8214	301 226 5514	MT-GLAZE 120 JA 1/16W
R8005	301 225 8110	MT-GLAZE 10 JA 1/16W	R8231	301 263 7420	MT-GLAZE 75 JA 1/16W
R8007	301 225 1210	MT-GLAZE 4.7K JA 1/16W	R8233	301 263 7420	MT-GLAZE 75 JA 1/16W
R8008	301 225 8110	MT-GLAZE 10 JA 1/16W	R8234	301 263 7420	MT-GLAZE 75 JA 1/16W
R8009	301 225 1210	MT-GLAZE 4.7K JA 1/16W	R8235	301 263 7420	MT-GLAZE 75 JA 1/16W
R801	301 224 9019	MT-GLAZE 10K JA 1/16W	R8237	301 263 7420	MT-GLAZE 75 JA 1/16W
R8014	301 225 1210	MT-GLAZE 4.7K JA 1/16W	R8242	301 225 8110	MT-GLAZE 10 JA 1/16W
R8015	301 226 1516	MT-GLAZE 0.000 ZA 1/16W	R8244	301 225 8110	MT-GLAZE 10 JA 1/16W
R8016	301 226 1516	MT-GLAZE 0.000 ZA 1/16W	R8246	301 225 8110	MT-GLAZE 10 JA 1/16W
R8018	301 225 1210	MT-GLAZE 4.7K JA 1/16W	R8247	301 225 8110	MT-GLAZE 10 JA 1/16W
R802	301 224 9019	MT-GLAZE 10K JA 1/16W	R8267	301 263 7420	MT-GLAZE 75 JA 1/16W
R8022	301 225 1210	MT-GLAZE 4.7K JA 1/16W	R8311	301 224 9712	MT-GLAZE 22 JA 1/16W
R8023	301 264 5316	MT-GLAZE 2.2 JA 1/10W	R8312	301 226 1516	MT-GLAZE 0.000 ZA 1/16W
R8029	301 225 0312	MT-GLAZE 33 JA 1/16W	R8313	301 224 9712	MT-GLAZE 22 JA 1/16W
R8031	301 225 0312	MT-GLAZE 33 JA 1/16W	R8314	301 226 1516	MT-GLAZE 0.000 ZA 1/16W
R8032	301 225 0312	MT-GLAZE 33 JA 1/16W	R8316	301 226 1516	MT-GLAZE 0.000 ZA 1/16W
R8034	301 225 0312	MT-GLAZE 33 JA 1/16W	R835	301 224 9316	MT-GLAZE 1K JA 1/16W
R8036	301 225 0312	MT-GLAZE 33 JA 1/16W	R836	301 224 9019	MT-GLAZE 10K JA 1/16W
R8037	301 225 0312	MT-GLAZE 33 JA 1/16W	R837	301 224 9316	MT-GLAZE 1K JA 1/16W
R8039	301 341 0616	MT-GLAZE 49.9 FA 1/16W	R838	301 224 9019	MT-GLAZE 10K JA 1/16W
R804	301 224 9019	MT-GLAZE 10K JA 1/16W	R842	301 224 9316	MT-GLAZE 1K JA 1/16W
R8043	301 225 1210	MT-GLAZE 4.7K JA 1/16W	R843	301 224 9019	MT-GLAZE 10K JA 1/16W
R8044	301 225 1210	MT-GLAZE 4.7K JA 1/16W	R851	301 226 1516	MT-GLAZE 0.000 ZA 1/16W
R8045	301 240 9116	MT-GLAZE 5.6 JA 1/16W	R852	301 226 1516	MT-GLAZE 0.000 ZA 1/16W
R8046	301 240 9116	MT-GLAZE 5.6 JA 1/16W	R853	301 226 1516	MT-GLAZE 0.000 ZA 1/16W
R8047	301 240 9116	MT-GLAZE 5.6 JA 1/16W	R854	301 226 1516	MT-GLAZE 0.000 ZA 1/16W
R8048	301 240 9116	MT-GLAZE 5.6 JA 1/16W	R855	301 226 1516	MT-GLAZE 0.000 ZA 1/16W
R8049	301 341 0616	MT-GLAZE 49.9 FA 1/16W	R856	301 226 1516	MT-GLAZE 0.000 ZA 1/16W
R805	301 224 9019	MT-GLAZE 10K JA 1/16W	R857	301 226 1516	MT-GLAZE 0.000 ZA 1/16W
R8051	301 240 9116	MT-GLAZE 5.6 JA 1/16W	R858	301 226 1516	MT-GLAZE 0.000 ZA 1/16W
R8052	301 240 9116	MT-GLAZE 5.6 JA 1/16W	R860	301 224 9316	MT-GLAZE 1K JA 1/16W
R8053	301 240 9116	MT-GLAZE 5.6 JA 1/16W	R8800	301 224 9019	MT-GLAZE 10K JA 1/16W
R8054	301 240 9116	MT-GLAZE 5.6 JA 1/16W	R8801	301 224 9316	MT-GLAZE 1K JA 1/16W
R8056	301 225 1418	MT-GLAZE 47K JA 1/16W	R8802	301 224 9019	MT-GLAZE 10K JA 1/16W
R8057	301 225 1418	MT-GLAZE 47K JA 1/16W	R8803	301 224 9019	MT-GLAZE 10K JA 1/16W
R8059	301 341 0616	MT-GLAZE 49.9 FA 1/16W	R8804	301 225 0213	MT-GLAZE 3.3K JA 1/16W
R806	301 294 4419	MT-GLAZE 1.8K FA 1/16W	R8805	301 225 0213	MT-GLAZE 3.3K JA 1/16W
R8069	301 341 0616	MT-GLAZE 49.9 FA 1/16W	R8808	301 224 9019	MT-GLAZE 10K JA 1/16W
R807	301 225 0213	MT-GLAZE 3.3K JA 1/16W	R8809	301 224 8814	MT-GLAZE 100 JA 1/16W
R8072	301 264 3718	MT-GLAZE 1.5K FA 1/10W	R8812	301 225 3818	MT-GLAZE 1.5K JA 1/16W
R8073	301 264 3718	MT-GLAZE 1.5K FA 1/10W	R8813	301 225 1210	MT-GLAZE 4.7K JA 1/16W
R8074	301 264 3718	MT-GLAZE 1.5K FA 1/10W	R8814	301 224 9316	MT-GLAZE 1K JA 1/16W
R8076	301 294 3115	MT-GLAZE 1K FA 1/16W	R8815	301 224 9019	MT-GLAZE 10K JA 1/16W
R8081	301 294 2613	MT-GLAZE 4.7K FA 1/16W	R8816	301 264 6511	MT-GLAZE 2.2K FA 1/10W
R8082	301 299 5312	MT-GLAZE 12K FA 1/16W	R8821	301 225 1210	MT-GLAZE 4.7K JA 1/16W
R8083	301 294 3016	MT-GLAZE 10K FA 1/16W	R8831	301 224 9019	MT-GLAZE 10K JA 1/16W
R8086	301 225 1210	MT-GLAZE 4.7K JA 1/16W	R8833	301 225 7915	MT-GLAZE 220 JA 1/16W
R8092	301 298 5511	MT-GLAZE 8.2K FA 1/16W	R8834	301 224 9712	MT-GLAZE 22 JA 1/16W
R8093	301 298 5818	MT-GLAZE 9.1K FA 1/16W	R8835	301 226 1516	MT-GLAZE 0.000 ZA 1/16W
R8094	301 294 3511	MT-GLAZE 27K FA 1/16W	R8836	301 226 1516	MT-GLAZE 0.000 ZA 1/16W
R8095	307 254 2716	DIODE CMS16	R8839	301 225 7915	MT-GLAZE 220 JA 1/16W

Key No. Part No. Description			Key No. Part No. Description		
R8841	301 224 9019	MT-GLAZE 10K JA 1/16W			
R8843	301 224 9019	MT-GLAZE 10K JA 1/16W			
R8844	301 224 9019	MT-GLAZE 10K JA 1/16W			
R8845	301 035 4111	MT-GLAZE 0.000 ZA 1/8W			
R8846	301 224 8913	MT-GLAZE 100K JA 1/16W			
R8848	301 225 1210	MT-GLAZE 4.7K JA 1/16W			
R8849	301 224 9316	MT-GLAZE 1K JA 1/16W			
R8850	301 035 4111	MT-GLAZE 0.000 ZA 1/8W			
R8851	301 224 9316	MT-GLAZE 1K JA 1/16W			
R8853	301 225 1210	MT-GLAZE 4.7K JA 1/16W			
R8854	301 225 0213	MT-GLAZE 3.3K JA 1/16W			
R8855	301 225 3818	MT-GLAZE 1.5K JA 1/16W			
R8857	301 224 9415	MT-GLAZE 1M JA 1/16W			
R8881	301 298 5818	MT-GLAZE 9.1K FA 1/16W			
R8882	301 294 2910	MT-GLAZE 560 FA 1/16W			
R8883	301 338 8113	MT-GLAZE 1.2K FA 1/16W			
R8884	301 294 3115	MT-GLAZE 1K FA 1/16W			
R8885	401 361 3618	MT-GLAZE 3.3M FA 1/16W			
R8888	401 361 3618	MT-GLAZE 3.3M FA 1/16W			
R8891	301 294 3214	MT-GLAZE 47K FA 1/16W			
R8892	301 299 5114	MT-GLAZE 6.2K FA 1/16W			
R8893	301 294 3214	MT-GLAZE 47K FA 1/16W			
R8894	301 299 5114	MT-GLAZE 6.2K FA 1/16W			
R9871	301 224 9019	MT-GLAZE 10K JA 1/16W			
R9872	301 224 9019	MT-GLAZE 10K JA 1/16W			
R9873	301 255 7312	MT-GLAZE 510K JA 1/10W			
R9874	301 224 8913	MT-GLAZE 100K JA 1/16W			
R9875	301 224 8913	MT-GLAZE 100K JA 1/16W			
R9876	301 225 8110	MT-GLAZE 10 JA 1/16W			
R9878	301 225 3818	MT-GLAZE 1.5K JA 1/16W			
R9881	301 225 0114	MT-GLAZE 27K JA 1/16W			
R9882	301 225 8110	MT-GLAZE 10 JA 1/16W			
R9889	301 225 8110	MT-GLAZE 10 JA 1/16W			
R9890	301 225 8110	MT-GLAZE 10 JA 1/16W			
R9891	301 225 8110	MT-GLAZE 10 JA 1/16W			
R9895	301 225 8011	MT-GLAZE 330 JA 1/16W			
R9897	301 224 9712	MT-GLAZE 22 JA 1/16W			
R9898	301 224 9712	MT-GLAZE 22 JA 1/16W			
R9899	301 224 9712	MT-GLAZE 22 JA 1/16W			
R9900	301 224 9712	MT-GLAZE 22 JA 1/16W			
R9901	301 224 9019	MT-GLAZE 10K JA 1/16W			
R9902	301 224 9019	MT-GLAZE 10K JA 1/16W			
R9903	301 224 9019	MT-GLAZE 10K JA 1/16W			
R9904	301 224 9019	MT-GLAZE 10K JA 1/16W			
R9906	301 225 0817	MT-GLAZE 68K JA 1/16W			
R9907	301 224 8814	MT-GLAZE 100 JA 1/16W			
R9908	301 224 8814	MT-GLAZE 100 JA 1/16W			
R9909	301 224 8814	MT-GLAZE 100 JA 1/16W			
R9911	301 226 1516	MT-GLAZE 0.000 ZA 1/16W			
R9914	301 224 9019	MT-GLAZE 10K JA 1/16W			
R9915	301 224 9019	MT-GLAZE 10K JA 1/16W			
R9916	301 224 9019	MT-GLAZE 10K JA 1/16W			
R9929	301 224 9019	MT-GLAZE 10K JA 1/16W			
RB2201	945 036 0986	R-NETWORK 47X4 1/32W			
	945 037 0831	R-NETWORK 47X4 1/16W			
RB2203	945 036 0986	R-NETWORK 47X4 1/32W			
	945 037 0831	R-NETWORK 47X4 1/16W			
RB2206	945 036 0986	R-NETWORK 47X4 1/32W			
	945 037 0831	R-NETWORK 47X4 1/16W			
RB2208	945 036 0986	R-NETWORK 47X4 1/32W			
	945 037 0831	R-NETWORK 47X4 1/16W			
RB2211	945 036 0986	R-NETWORK 47X4 1/32W			
	945 037 0831	R-NETWORK 47X4 1/16W			
RB2213	945 036 0986	R-NETWORK 47X4 1/32W			
	945 037 0831	R-NETWORK 47X4 1/16W			
RB2341	945 034 5051	R-NETWORK 22X4 1/32W			
	945 037 0824	R-NETWORK 22X4 1/16W			
RB2342	945 034 5051	R-NETWORK 22X4 1/32W			
	945 037 0824	R-NETWORK 22X4 1/16W			
RB2343	945 034 5051	R-NETWORK 22X4 1/32W			
	945 037 0824	R-NETWORK 22X4 1/16W			
RB2344	945 034 5051	R-NETWORK 22X4 1/32W			
	945 037 0824	R-NETWORK 22X4 1/16W			
RB2345	945 034 5051	R-NETWORK 22X4 1/32W			
	945 037 0824	R-NETWORK 22X4 1/16W			
RB2346	945 034 5051	R-NETWORK 22X4 1/32W			
	945 037 0824	R-NETWORK 22X4 1/16W			
RB2351	945 029 5790	R-NETWORK 1KX4 1/32W			
	945 028 0703	R-NETWORK 1KX4 1/16W			
RB2352	945 029 5790	R-NETWORK 1KX4 1/32W			
	945 028 0703	R-NETWORK 1KX4 1/16W			
RB2353	945 029 5790	R-NETWORK 1KX4 1/32W			
	945 028 0703	R-NETWORK 1KX4 1/16W			
RB2354	945 029 5790	R-NETWORK 1KX4 1/32W			
	945 028 0703	R-NETWORK 1KX4 1/16W			
RB2355	945 029 5790	R-NETWORK 1KX4 1/32W			
	945 028 0703	R-NETWORK 1KX4 1/16W			
RB2356	945 029 5790	R-NETWORK 1KX4 1/32W			
	945 028 0703	R-NETWORK 1KX4 1/16W			
RB311	945 036 0986	R-NETWORK 47X4 1/32W			
	945 037 0831	R-NETWORK 47X4 1/16W			
RB312	945 036 0986	R-NETWORK 47X4 1/32W			
	945 037 0831	R-NETWORK 47X4 1/16W			
RB313	945 036 0986	R-NETWORK 47X4 1/32W			
	945 037 0831	R-NETWORK 47X4 1/16W			
RB314	945 036 0986	R-NETWORK 47X4 1/32W			
	945 037 0831	R-NETWORK 47X4 1/16W			
RB316	945 036 0986	R-NETWORK 47X4 1/32W			
	945 037 0831	R-NETWORK 47X4 1/16W			
RB317	645 049 0675	R-NETWORK 33X4 1/32W			
	945 049 0690	R-NETWORK 33X4 1/16W			
RB318	645 049 0675	R-NETWORK 33X4 1/32W			
	945 049 0690	R-NETWORK 33X4 1/16W			
RB319	645 049 0675	R-NETWORK 33X4 1/32W			
	945 049 0690	R-NETWORK 33X4 1/16W			
RB321	645 049 0675	R-NETWORK 33X4 1/32W			
	945 049 0690	R-NETWORK 33X4 1/16W			
RB322	645 049 0675	R-NETWORK 33X4 1/32W			
	945 049 0690	R-NETWORK 33X4 1/16W			
RB323	645 049 0675	R-NETWORK 33X4 1/32W			
	945 049 0690	R-NETWORK 33X4 1/16W			

Key No.	Part No.	Description	Key No.	Part No.	Description
	945 028 0710	R-NETWORK 10KX4 1/16W	L2592	301 035 4111	MT-GLAZE 0.000 ZA 1/8W
RB833	945 036 0979	R-NETWORK 10KX4 1/32W	L2899	945 086 6037	IMPEDANCE,330 OHM P
	945 028 0710	R-NETWORK 10KX4 1/16W	L311	945 050 8449	IMPEDANCE,1000 OHM P
RB834	945 036 0979	R-NETWORK 10KX4 1/32W	L312	945 050 8449	IMPEDANCE,1000 OHM P
	945 028 0710	R-NETWORK 10KX4 1/16W	L316	945 050 8449	IMPEDANCE,1000 OHM P
RB835	945 036 0979	R-NETWORK 10KX4 1/32W	L321	945 050 8449	IMPEDANCE,1000 OHM P
	945 028 0710	R-NETWORK 10KX4 1/16W	L326	945 050 8449	IMPEDANCE,1000 OHM P
RB836	945 036 0979	R-NETWORK 10KX4 1/32W	L361	945 050 8449	IMPEDANCE,1000 OHM P
	945 028 0710	R-NETWORK 10KX4 1/16W	L363	945 050 8449	IMPEDANCE,1000 OHM P
RB837	945 036 0979	R-NETWORK 10KX4 1/32W	L366	945 050 8449	IMPEDANCE,1000 OHM P
	945 028 0710	R-NETWORK 10KX4 1/16W	L368	945 050 8449	IMPEDANCE,1000 OHM P
RB838	945 036 0979	R-NETWORK 10KX4 1/32W	L371	945 050 8449	IMPEDANCE,1000 OHM P
	945 028 0710	R-NETWORK 10KX4 1/16W	L372	945 086 6662	IMPEDANCE,600 OHM P
			L380	645 092 3616	IMPEDANCE,22 OHM P
COIL			L3801	945 086 7454	FILTER,EMI 50MHZ
L012	945 062 2855	INDUCTOR,33U M	L3802	945 086 7454	FILTER,EMI 50MHZ
L1007	945 004 6644	INDUCTOR,220 OHM	L4001	945 086 7577	FILTER,EMI 400MHZ
L1009	945 059 2240	INDUCTOR,2.2U M	L4002	945 086 7577	FILTER,EMI 400MHZ
L1021	945 086 7577	FILTER,EMI 400MHZ	L4003	945 086 7577	FILTER,EMI 400MHZ
L1022	945 086 7577	FILTER,EMI 400MHZ	L4004	945 086 7577	FILTER,EMI 400MHZ
L1023	945 086 7577	FILTER,EMI 400MHZ	L4006	945 086 7577	FILTER,EMI 400MHZ
L1024	945 086 7560	FILTER,EMI 200MHZ	L4802	945 041 1978	INDUCTOR,330 OHM
L1026	945 086 7560	FILTER,EMI 200MHZ	L4803	945 041 1978	INDUCTOR,330 OHM
L1341	945 050 8449	IMPEDANCE,1000 OHM P	L5002	945 062 2855	INDUCTOR,33U M
L1342	945 050 8449	IMPEDANCE,1000 OHM P	L501	945 080 6828	INDUCTOR,3.3U M
L1351	945 041 1978	INDUCTOR,330 OHM	L5011	301 225 1814	MT-GLAZE 47 JA 1/16W
L1352	945 032 8344	INDUCTOR,39U J	L502	945 080 6828	INDUCTOR,3.3U M
L1452	645 068 9000	INDUCTOR,10U K	L503	945 080 6828	INDUCTOR,3.3U M
L1453	945 059 2240	INDUCTOR,2.2U M	L5031	945 086 5368	IMPEDANCE,220 OHM P
L1454	945 059 2240	INDUCTOR,2.2U M	L5032	945 086 5368	IMPEDANCE,220 OHM P
L1455	945 059 2240	INDUCTOR,2.2U M	L5202	945 036 3895	INDUCTOR,220 OHM
L1456	945 080 6828	INDUCTOR,3.3U M	L5203	945 036 3895	INDUCTOR,220 OHM
L1457	945 080 6828	INDUCTOR,3.3U M	L5204	945 036 3895	INDUCTOR,220 OHM
L1458	945 080 6828	INDUCTOR,3.3U M	L5205	945 036 3895	INDUCTOR,220 OHM
L1459	645 068 9000	INDUCTOR,10U K	L5251	945 041 1978	INDUCTOR,330 OHM
L2210	945 036 3895	INDUCTOR,220 OHM	L5252	945 041 1978	INDUCTOR,330 OHM
L2220	945 036 3895	INDUCTOR,220 OHM	L5253	945 036 3895	INDUCTOR,220 OHM
L2221	945 036 3895	INDUCTOR,220 OHM	L5272	945 041 1978	INDUCTOR,330 OHM
L2222	945 036 3895	INDUCTOR,220 OHM	L5291	945 086 6600	IMPEDANCE,220 OHM P
L2301	945 036 3895	INDUCTOR,220 OHM	L531	945 080 6828	INDUCTOR,3.3U M
L2302	945 036 3895	INDUCTOR,220 OHM	L5311	301 225 8110	MT-GLAZE 10 JA 1/16W
L2303	945 036 3895	INDUCTOR,220 OHM	L532	945 080 6828	INDUCTOR,3.3U M
L2371	945 050 3925	INDUCTOR,10U M	L533	945 080 6828	INDUCTOR,3.3U M
L2372	945 036 3895	INDUCTOR,220 OHM	L5541	645 092 3616	IMPEDANCE,22 OHM P
L2373	945 036 3895	INDUCTOR,220 OHM	L5542	645 092 3616	IMPEDANCE,22 OHM P
L2374	945 036 3895	INDUCTOR,220 OHM	L5543	645 092 3616	IMPEDANCE,22 OHM P
L2375	945 036 3895	INDUCTOR,220 OHM	L5544	645 092 3616	IMPEDANCE,22 OHM P
L2381	945 036 3895	INDUCTOR,220 OHM	L561	945 080 6828	INDUCTOR,3.3U M
L2382	945 036 3895	INDUCTOR,220 OHM	L5611	301 225 1814	MT-GLAZE 47 JA 1/16W
L2383	945 036 3895	INDUCTOR,220 OHM	L562	945 080 6828	INDUCTOR,3.3U M
L2385	945 036 3895	INDUCTOR,220 OHM	L5627	945 086 6662	IMPEDANCE,600 OHM P
L2386	945 036 3895	INDUCTOR,220 OHM	L563	945 080 6828	INDUCTOR,3.3U M
L2501	945 059 1755	INDUCTOR,22U J	L5702	945 041 1978	INDUCTOR,330 OHM
L2531	945 059 1755	INDUCTOR,22U J	L5704	945 041 1978	INDUCTOR,330 OHM
L2561	945 059 1755	INDUCTOR,22U J	L5801	645 092 3616	IMPEDANCE,22 OHM P
L2591	301 035 4111	MT-GLAZE 0.000 ZA 1/8W			

Key No.	Part No.	Description	Key No.	Part No.	Description
L5802	645 092 3616	IMPEDANCE,22 OHM P	L8804	945 086 6037	IMPEDANCE,330 OHM P
L5821	945 062 2930	INDUCTOR,10U M	L8805	945 068 8318	FILTER,EMI 100MHZ
L5829	945 041 1978	INDUCTOR,330 OHM			DIODE
L5830	945 041 1978	INDUCTOR,330 OHM	D1001	307 254 2914	ZENER DIODE 02DZ6.8Y(TPH3
L5842	945 050 3925	INDUCTOR,10U M		307 209 4512	ZD UDZS-TE-176.8B
L5844	945 041 1978	INDUCTOR,330 OHM	D1002	307 254 2914	ZENER DIODE 02DZ6.8Y(TPH3
L5846	945 041 1978	INDUCTOR,330 OHM		307 209 4512	ZD UDZS-TE-176.8B
L5851	945 041 1978	INDUCTOR,330 OHM	D1003	307 254 2716	DIODE CMS16
L5853	945 041 1978	INDUCTOR,330 OHM	D1004	307 254 2716	DIODE CMS16
L5855	945 041 1978	INDUCTOR,330 OHM	D1024	307 223 1115	ZENER DIODE 02DZ6.2Y(TPH3
L5861	945 050 3925	INDUCTOR,10U M		307 209 1214	ZD UDZS-TE-176.2B
L5863	945 040 6455	INDUCTOR,4.7U M		408 063 7507	ZENER DIODE MM3Z6V2B
L5868	945 041 1978	INDUCTOR,330 OHM	D1026	307 223 1115	ZENER DIODE 02DZ6.2Y(TPH3
L592	945 086 6044	IMPEDANCE,470 OHM P		307 209 1214	ZD UDZS-TE-176.2B
L6511	645 092 3616	IMPEDANCE,22 OHM P		408 063 7507	ZENER DIODE MM3Z6V2B
L6512	645 092 3616	IMPEDANCE,22 OHM P	D1031	307 210 5416	DIODE RB551V-30-TE-17
L6513	645 092 3616	IMPEDANCE,22 OHM P	D1379	307 206 6311	ZD UDZS-TE-175.1B
L6514	645 092 3616	IMPEDANCE,22 OHM P		408 063 2205	ZENER DIODE MM3Z5V1B
L6515	645 092 3616	IMPEDANCE,22 OHM P	D1451	307 163 0414	DIODE 1SS352-(TPH3)
L6520	645 092 3616	IMPEDANCE,22 OHM P		307 149 0810	DIODE 1SS355-TE-17
L6603	945 037 4792	INDUCTOR,100U M		408 062 7201	DIODE 1SS35
L6610	945 062 2855	INDUCTOR,33U M	D1454	307 163 0414	DIODE 1SS352-(TPH3)
L6661	945 041 1978	INDUCTOR,330 OHM		307 149 0810	DIODE 1SS355-TE-17
L6662	945 036 3895	INDUCTOR,220 OHM		408 062 7201	DIODE 1SS35
L6663	945 050 3925	INDUCTOR,10U M	D1802	307 223 1115	ZENER DIODE 02DZ6.2Y(TPH3
L6664	645 089 2677	FILTER,EMI 1500PF		307 209 1214	ZD UDZS-TE-176.2B
L6665	645 089 2677	FILTER,EMI 1500PF		408 063 7507	ZENER DIODE MM3Z6V2B
L7701	945 037 4808	INDUCTOR,33U M	D1861	307 223 1115	ZENER DIODE 02DZ6.2Y(TPH3
L7702	945 086 5368	IMPEDANCE,220 OHM P		307 209 1214	ZD UDZS-TE-176.2B
L7703	945 086 5368	IMPEDANCE,220 OHM P		408 063 7507	ZENER DIODE MM3Z6V2B
L7721	945 037 4808	INDUCTOR,33U M	D1862	307 223 1115	ZENER DIODE 02DZ6.2Y(TPH3
L7801	945 059 2240	INDUCTOR,2.2U M		307 209 1214	ZD UDZS-TE-176.2B
L7802	945 059 2240	INDUCTOR,2.2U M		408 063 7507	ZENER DIODE MM3Z6V2B
L8001	945 086 6600	IMPEDANCE,220 OHM P	D201	307 247 8827	DIODE RF101L2S
L8002	945 086 6600	IMPEDANCE,220 OHM P		307 190 4119	DIODE SFPL-52V
L8003	945 086 6600	IMPEDANCE,220 OHM P	D2041	307 163 0414	DIODE 1SS352-(TPH3)
L8004	945 086 6600	IMPEDANCE,220 OHM P		307 149 0810	DIODE 1SS355-TE-17
L8006	945 086 6600	IMPEDANCE,220 OHM P		408 062 7201	DIODE 1SS35
L8007	945 086 6600	IMPEDANCE,220 OHM P	D2042	307 163 0414	DIODE 1SS352-(TPH3)
L8010	945 070 3660	INDUCTOR,90 OHM		307 149 0810	DIODE 1SS355-TE-17
L8011	945 070 3660	INDUCTOR,90 OHM		408 062 7201	DIODE 1SS35
L8012	945 070 3660	INDUCTOR,90 OHM	D2251	307 163 0414	DIODE 1SS352-(TPH3)
L8013	945 070 3660	INDUCTOR,90 OHM		307 149 0810	DIODE 1SS355-TE-17
L8081	945 041 1978	INDUCTOR,330 OHM		408 062 7201	DIODE 1SS35
L812	645 092 3616	IMPEDANCE,22 OHM P	D2381	307 163 0414	DIODE 1SS352-(TPH3)
L817	645 092 3616	IMPEDANCE,22 OHM P		307 149 0810	DIODE 1SS355-TE-17
L818	645 092 3616	IMPEDANCE,22 OHM P		408 062 7201	DIODE 1SS35
L821	645 092 3616	IMPEDANCE,22 OHM P	D2385	307 163 0414	DIODE 1SS352-(TPH3)
L822	645 092 3616	IMPEDANCE,22 OHM P		307 149 0810	DIODE 1SS355-TE-17
L823	645 092 3616	IMPEDANCE,22 OHM P		408 062 7201	DIODE 1SS35
L824	645 092 3616	IMPEDANCE,22 OHM P	D351	307 163 0414	DIODE 1SS352-(TPH3)
L8291	945 050 8449	IMPEDANCE,1000 OHM P		307 149 0810	DIODE 1SS355-TE-17
L8295	945 050 8449	IMPEDANCE,1000 OHM P		408 062 7201	DIODE 1SS35
L8801	945 086 6037	IMPEDANCE,330 OHM P	D352	307 163 0414	DIODE 1SS352-(TPH3)
L8802	945 086 6037	IMPEDANCE,330 OHM P		307 149 0810	DIODE 1SS355-TE-17
L8803	945 086 6037	IMPEDANCE,330 OHM P		408 062 7201	DIODE 1SS35

Key No.	Part No.	Description	Key No.	Part No.	Description
D353	307 163 0414	DIODE 1SS352-(TPH3)	D5853	307 223 1115	ZENER DIODE 02DZ6.2Y(TPH3)
	307 149 0810	DIODE 1SS355-TE-17		307 209 1214	ZD UDZS-TE-176.2B
	408 062 7201	DIODE 1SS35		408 063 7507	ZENER DIODE MM3Z6V2B
D354	307 163 0414	DIODE 1SS352-(TPH3)	D5854	307 223 1115	ZENER DIODE 02DZ6.2Y(TPH3)
	307 149 0810	DIODE 1SS355-TE-17		307 209 1214	ZD UDZS-TE-176.2B
	408 062 7201	DIODE 1SS35		408 063 7507	ZENER DIODE MM3Z6V2B
D355	307 163 0414	DIODE 1SS352-(TPH3)	D5856	307 223 1115	ZENER DIODE 02DZ6.2Y(TPH3)
	307 149 0810	DIODE 1SS355-TE-17		307 209 1214	ZD UDZS-TE-176.2B
	408 062 7201	DIODE 1SS35		408 063 7507	ZENER DIODE MM3Z6V2B
D356	307 163 0414	DIODE 1SS352-(TPH3)	D5883	307 163 0414	DIODE 1SS352-(TPH3)
	307 149 0810	DIODE 1SS355-TE-17		307 149 0810	DIODE 1SS355-TE-17
	408 062 7201	DIODE 1SS35		408 062 7201	DIODE 1SS35
D5038	307 163 0414	DIODE 1SS352-(TPH3)	D5884	307 163 0414	DIODE 1SS352-(TPH3)
	307 149 0810	DIODE 1SS355-TE-17		307 149 0810	DIODE 1SS355-TE-17
	408 062 7201	DIODE 1SS35		408 062 7201	DIODE 1SS35
D5271	307 210 5416	DIODE RB551V-30-TE-17	D592	307 163 0414	DIODE 1SS352-(TPH3)
D5503	307 223 1115	ZENER DIODE 02DZ6.2Y(TPH3)		307 149 0810	DIODE 1SS355-TE-17
	307 209 1214	ZD UDZS-TE-176.2B		408 062 7201	DIODE 1SS35
	408 063 7507	ZENER DIODE MM3Z6V2B	D6503	307 231 2210	ZENER DIODE UDZS13B-TE-17
D5523	307 223 1115	ZENER DIODE 02DZ6.2Y(TPH3)		408 064 6707	ZENER DIODE MM3Z13B
	307 209 1214	ZD UDZS-TE-176.2B	D6523	307 231 2210	ZENER DIODE UDZS13B-TE-17
	408 063 7507	ZENER DIODE MM3Z6V2B		408 064 6707	ZENER DIODE MM3Z13B
D5531	307 163 0414	DIODE 1SS352-(TPH3)	D6603	307 254 2716	DIODE CMS16
	307 149 0810	DIODE 1SS355-TE-17	D6604	307 163 0414	DIODE 1SS352-(TPH3)
	408 062 7201	DIODE 1SS35		307 149 0810	DIODE 1SS355-TE-17
D5532	307 163 0414	DIODE 1SS352-(TPH3)		408 062 7201	DIODE 1SS35
	307 149 0810	DIODE 1SS355-TE-17	D6621	307 163 0414	DIODE 1SS352-(TPH3)
	408 062 7201	DIODE 1SS35		307 149 0810	DIODE 1SS355-TE-17
D5541	307 247 8827	DIODE RF101L2S		408 062 7201	DIODE 1SS35
	307 190 4119	DIODE SFPL-52V	D6623	307 163 0414	DIODE 1SS352-(TPH3)
D5542	307 247 8827	DIODE RF101L2S		307 149 0810	DIODE 1SS355-TE-17
	307 190 4119	DIODE SFPL-52V		408 062 7201	DIODE 1SS35
D5543	307 247 8827	DIODE RF101L2S	D6676	307 163 0414	DIODE 1SS352-(TPH3)
	307 190 4119	DIODE SFPL-52V		307 149 0810	DIODE 1SS355-TE-17
D5544	307 247 8827	DIODE RF101L2S		408 062 7201	DIODE 1SS35
	307 190 4119	DIODE SFPL-52V	D7701	307 254 2716	DIODE CMS16
D5545	307 163 0414	DIODE 1SS352-(TPH3)	D7702	307 163 0414	DIODE 1SS352-(TPH3)
	307 149 0810	DIODE 1SS355-TE-17		307 149 0810	DIODE 1SS355-TE-17
	408 062 7201	DIODE 1SS35		408 062 7201	DIODE 1SS35
D5563	307 254 2914	ZENER DIODE 02DZ6.8Y(TPH3)	D7703	307 163 0414	DIODE 1SS352-(TPH3)
	307 209 4512	ZD UDZS-TE-176.8B		307 149 0810	DIODE 1SS355-TE-17
D5801	307 223 1115	ZENER DIODE 02DZ6.2Y(TPH3)		408 062 7201	DIODE 1SS35
	307 209 1214	ZD UDZS-TE-176.2B	D7721	307 254 2716	DIODE CMS16
D5802	307 223 1115	ZENER DIODE 02DZ6.2Y(TPH3)	D7722	307 163 0414	DIODE 1SS352-(TPH3)
	307 209 1214	ZD UDZS-TE-176.2B		307 149 0810	DIODE 1SS355-TE-17
D5803	307 223 1115	ZENER DIODE 02DZ6.2Y(TPH3)		408 062 7201	DIODE 1SS35
	307 209 1214	ZD UDZS-TE-176.2B	D7723	307 163 0414	DIODE 1SS352-(TPH3)
D5850	307 223 1115	ZENER DIODE 02DZ6.2Y(TPH3)		307 149 0810	DIODE 1SS355-TE-17
	307 209 1214	ZD UDZS-TE-176.2B		408 062 7201	DIODE 1SS35
	408 063 7507	ZENER DIODE MM3Z6V2B	D7724	307 163 0414	DIODE 1SS352-(TPH3)
D5851	307 223 1115	ZENER DIODE 02DZ6.2Y(TPH3)		307 149 0810	DIODE 1SS355-TE-17
	307 209 1214	ZD UDZS-TE-176.2B		408 062 7201	DIODE 1SS35
	408 063 7507	ZENER DIODE MM3Z6V2B	D7725	307 163 0414	DIODE 1SS352-(TPH3)
D5852	307 223 1115	ZENER DIODE 02DZ6.2Y(TPH3)		307 149 0810	DIODE 1SS355-TE-17
	307 209 1214	ZD UDZS-TE-176.2B		408 062 7201	DIODE 1SS35
	408 063 7507	ZENER DIODE MM3Z6V2B			

Electrical Parts List

KK8-WXL2000

Key No.	Part No.	Description	Key No.	Part No.	Description
D7726	307 163 0414	DIODE 1SS352-(TPH3)		408 062 7201	DIODE 1SS35
	307 149 0810	DIODE 1SS355-TE-17	D7866	307 163 0414	DIODE 1SS352-(TPH3)
	408 062 7201	DIODE 1SS35		307 149 0810	DIODE 1SS355-TE-17
D7727	307 163 0414	DIODE 1SS352-(TPH3)		408 062 7201	DIODE 1SS35
	307 149 0810	DIODE 1SS355-TE-17	D7891	307 163 0414	DIODE 1SS352-(TPH3)
	408 062 7201	DIODE 1SS35		307 149 0810	DIODE 1SS355-TE-17
D7822	307 163 0414	DIODE 1SS352-(TPH3)		408 062 7201	DIODE 1SS35
	307 149 0810	DIODE 1SS355-TE-17	D7892	307 163 0414	DIODE 1SS352-(TPH3)
	408 062 7201	DIODE 1SS35		307 149 0810	DIODE 1SS355-TE-17
D7823	307 163 0414	DIODE 1SS352-(TPH3)		408 062 7201	DIODE 1SS35
	307 149 0810	DIODE 1SS355-TE-17	D7922	307 163 0414	DIODE 1SS352-(TPH3)
	408 062 7201	DIODE 1SS35		307 149 0810	DIODE 1SS355-TE-17
D7824	307 163 0414	DIODE 1SS352-(TPH3)		408 062 7201	DIODE 1SS35
	307 149 0810	DIODE 1SS355-TE-17	D7923	307 163 0414	DIODE 1SS352-(TPH3)
	408 062 7201	DIODE 1SS35		307 149 0810	DIODE 1SS355-TE-17
D7826	307 163 0414	DIODE 1SS352-(TPH3)		408 062 7201	DIODE 1SS35
	307 149 0810	DIODE 1SS355-TE-17	D8071	307 163 0414	DIODE 1SS352-(TPH3)
	408 062 7201	DIODE 1SS35		307 149 0810	DIODE 1SS355-TE-17
D7827	307 163 0414	DIODE 1SS352-(TPH3)		408 062 7201	DIODE 1SS35
	307 149 0810	DIODE 1SS355-TE-17	D8072	307 163 0414	DIODE 1SS352-(TPH3)
	408 062 7201	DIODE 1SS35		307 149 0810	DIODE 1SS355-TE-17
D7828	307 163 0414	DIODE 1SS352-(TPH3)		408 062 7201	DIODE 1SS35
	307 149 0810	DIODE 1SS355-TE-17	D8081	307 254 2716	DIODE CMS16
	408 062 7201	DIODE 1SS35	D851	307 223 1115	ZENER DIODE 02DZ6.2Y(TPH3)
D7829	307 163 0414	DIODE 1SS352-(TPH3)		307 209 1214	ZD UDZS-TE-176.2B
	307 149 0810	DIODE 1SS355-TE-17		408 063 7507	ZENER DIODE MM3Z6V2B
	408 062 7201	DIODE 1SS35	D852	307 223 1115	ZENER DIODE 02DZ6.2Y(TPH3)
D7842	307 163 0414	DIODE 1SS352-(TPH3)		307 209 1214	ZD UDZS-TE-176.2B
	307 149 0810	DIODE 1SS355-TE-17		408 063 7507	ZENER DIODE MM3Z6V2B
	408 062 7201	DIODE 1SS35	D853	307 223 1115	ZENER DIODE 02DZ6.2Y(TPH3)
D7843	307 163 0414	DIODE 1SS352-(TPH3)		307 209 1214	ZD UDZS-TE-176.2B
	307 149 0810	DIODE 1SS355-TE-17		408 063 7507	ZENER DIODE MM3Z6V2B
	408 062 7201	DIODE 1SS35	D854	307 223 1115	ZENER DIODE 02DZ6.2Y(TPH3)
D7851	307 163 0414	DIODE 1SS352-(TPH3)		307 209 1214	ZD UDZS-TE-176.2B
	307 149 0810	DIODE 1SS355-TE-17		408 063 7507	ZENER DIODE MM3Z6V2B
	408 062 7201	DIODE 1SS35	D855	307 223 1115	ZENER DIODE 02DZ6.2Y(TPH3)
D7852	307 163 0414	DIODE 1SS352-(TPH3)		307 209 1214	ZD UDZS-TE-176.2B
	307 149 0810	DIODE 1SS355-TE-17		408 063 7507	ZENER DIODE MM3Z6V2B
	408 062 7201	DIODE 1SS35	D856	307 223 1115	ZENER DIODE 02DZ6.2Y(TPH3)
D7853	307 163 0414	DIODE 1SS352-(TPH3)		307 209 1214	ZD UDZS-TE-176.2B
	307 149 0810	DIODE 1SS355-TE-17		408 063 7507	ZENER DIODE MM3Z6V2B
	408 062 7201	DIODE 1SS35	D857	307 223 1115	ZENER DIODE 02DZ6.2Y(TPH3)
D7854	307 163 0414	DIODE 1SS352-(TPH3)		307 209 1214	ZD UDZS-TE-176.2B
	307 149 0810	DIODE 1SS355-TE-17		408 063 7507	ZENER DIODE MM3Z6V2B
	408 062 7201	DIODE 1SS35	D8801	408 068 5508	LED KPT-2012YC
D7855	307 163 0414	DIODE 1SS352-(TPH3)	D8902	307 163 0414	DIODE 1SS352-(TPH3)
	307 149 0810	DIODE 1SS355-TE-17		307 149 0810	DIODE 1SS355-TE-17
	408 062 7201	DIODE 1SS35		408 062 7201	DIODE 1SS35
D7856	307 163 0414	DIODE 1SS352-(TPH3)	D9001	307 163 0414	DIODE 1SS352-(TPH3)
	307 149 0810	DIODE 1SS355-TE-17		307 149 0810	DIODE 1SS355-TE-17
	408 062 7201	DIODE 1SS35		408 062 7201	DIODE 1SS35
D7857	307 163 0414	DIODE 1SS352-(TPH3)	D9002	307 163 0414	DIODE 1SS352-(TPH3)
	307 149 0810	DIODE 1SS355-TE-17		307 149 0810	DIODE 1SS355-TE-17
	408 062 7201	DIODE 1SS35		408 062 7201	DIODE 1SS35
D7863	307 163 0414	DIODE 1SS352-(TPH3)	D9003	307 163 0414	DIODE 1SS352-(TPH3)
	307 149 0810	DIODE 1SS355-TE-17		307 149 0810	DIODE 1SS355-TE-17

Key No.	Part No.	Description	Key No.	Part No.	Description
	408 062 7201	DIODE 1SS35	Q2002	305 217 4913	TR RN1111 TE85L
D9004	307 163 0414	DIODE 1SS352-(TPH3)	Q2003	305 217 4913	TR RN1111 TE85L
	307 149 0810	DIODE 1SS355-TE-17	Q3001	305 014 4512	TR 2SC2412K T146 R
	408 062 7201	DIODE 1SS35		305 014 4611	TR 2SC2412K T146 S
MISCELLANEOUS				305 015 8727	TR 2SC2812-L6-TB
FB5801	945 041 1978	INDUCTOR,330 OHM		305 015 8925	TR 2SC2812-L7-TB
AU2802	945 082 0466	UNIT,REMOCON RECEIVER		305 163 1615	TR 2SC2812N-L6-TB0
TPOG1	652 003 3320	TERMINAL,EARTH		305 173 9816	TR 2SC3928A1R
TPOG10	652 003 3320	TERMINAL,EARTH		305 173 9915	TR 2SC3928A1S
TPOG11	652 003 3320	TERMINAL,EARTH	Q3002	305 014 4512	TR 2SC2412K T146 R
TPOG14	652 003 3320	TERMINAL,EARTH		305 014 4611	TR 2SC2412K T146 S
TPOG15	652 003 3320	TERMINAL,EARTH		305 015 8727	TR 2SC2812-L6-TB
TPOG16	652 003 3320	TERMINAL,EARTH		305 015 8925	TR 2SC2812-L7-TB
TPOG17	652 003 3320	TERMINAL,EARTH		305 163 1615	TR 2SC2812N-L6-TB0
TPOG19	652 003 3320	TERMINAL,EARTH		305 173 9816	TR 2SC3928A1R
TPOG2	652 003 3320	TERMINAL,EARTH		305 173 9915	TR 2SC3928A1S
TPOG20	652 003 3320	TERMINAL,EARTH	Q5031	406 021 7804	TR 2SC4617
TPOG21	652 003 3320	TERMINAL,EARTH	Q5032	406 021 7804	TR 2SC4617
TPOG22	652 003 3320	TERMINAL,EARTH	Q5061	406 021 7804	TR 2SC4617
TPOG23	652 003 3320	TERMINAL,EARTH	Q5062	406 021 7804	TR 2SC4617
TPOG3	652 003 3320	TERMINAL,EARTH	Q5063	406 021 7804	TR 2SC4617
TPOG7	652 003 3320	TERMINAL,EARTH	Q5064	406 021 7804	TR 2SC4617
TPOG9	652 003 3320	TERMINAL,EARTH	Q5325	305 211 1918	TR RJU002N06
K11A	952 001 8601	SOCKET,D-SUB 15P	Q5326	305 211 1918	TR RJU002N06
K11B	645 103 5974	SOCKET,IF(HDMI) 19P	INTEGRATED CIRCUIT		
K14A	952 001 8571	SOCKET,D-SUB 15P	IC5001	409 683 5716	IC NJW1156AV
K38A	945 053 4936	PLUG,D-SUB 9P	CAPACITOR		
K9602	645 093 6760	TRANS,PULSE	C1031	303 396 9514	CERAMIC 2.2U K 10V
	652 003 2743	TRANS,PULSE		303 382 7814	CERAMIC 2.2U K 10V
SC1021	945 076 3503	SURGE-ABSORBER	C1032	303 396 9514	CERAMIC 2.2U K 10V
SC1022	945 076 3503	SURGE-ABSORBER		303 382 7814	CERAMIC 2.2U K 10V
SC1023	945 076 3503	SURGE-ABSORBER	C1033	303 396 9514	CERAMIC 2.2U K 10V
SC3801	945 076 3503	SURGE-ABSORBER		303 382 7814	CERAMIC 2.2U K 10V
SC3802	945 076 3503	SURGE-ABSORBER	C1050	303 396 9514	CERAMIC 2.2U K 10V
SC4001	945 076 3503	SURGE-ABSORBER		303 382 7814	CERAMIC 2.2U K 10V
SC4002	945 076 3503	SURGE-ABSORBER	C1052	303 396 9514	CERAMIC 2.2U K 10V
SC4003	945 076 3503	SURGE-ABSORBER		303 382 7814	CERAMIC 2.2U K 10V
SC4004	945 076 3503	SURGE-ABSORBER	C1053	303 396 9514	CERAMIC 2.2U K 10V
SC4005	945 076 3503	SURGE-ABSORBER		303 382 7814	CERAMIC 2.2U K 10V
SC8001	945 076 3503	SURGE-ABSORBER	C1060	303 358 3215	CERAMIC 10U K 6.3V
SC8002	945 076 3503	SURGE-ABSORBER		303 370 0018	CERAMIC 10U K 6.3V
SW301	945 026 2792	SWITCH,PUSH 1P-1TX1		303 368 7319	CERAMIC 10U K 6.3V
SW302	945 026 2792	SWITCH,PUSH 1P-1TX1	C2824	303 367 0410	CERAMIC 0.1U K 50V
X1351	945 088 7179	OSC,CRYSTAL 27.0MHZ		303 370 1510	CERAMIC 0.1U K 50V
X2202	945 076 2407	OSC,CRYSTAL 25.000MHZ	C3001	303 367 0410	CERAMIC 0.1U K 50V
X2331	945 088 7179	OSC,CRYSTAL 27.0MHZ		303 370 1510	CERAMIC 0.1U K 50V
X4801	645 092 8857	OSC,CRYSTAL 48MHZ	C3002	303 358 3215	CERAMIC 10U K 6.3V
X5201	945 076 5194	OSC,CRYSTAL 79.991883MHZ		303 370 0018	CERAMIC 10U K 6.3V
X8001	945 088 7179	OSC,CRYSTAL 27.0MHZ		303 368 7319	CERAMIC 10U K 6.3V
X8802	945 083 7556	OSC,CRYSTAL 25.0MHZ	C3003	303 367 0410	CERAMIC 0.1U K 50V
X9885	945 060 9900	OSC,CERAMIC 8.00MHZ		303 370 1510	CERAMIC 0.1U K 50V
A2000 655 003 9699 ASSY,PWB,A/V KK8A			C3004	303 367 0410	CERAMIC 0.1U K 50V
TRANSISTOR				303 370 1510	CERAMIC 0.1U K 50V
Q2001	305 217 4913	TR RN1111 TE85L	C3811	303 157 3614	CERAMIC 100P J 50V
				303 235 0610	CERAMIC 100P J 50V

Key No.	Part No.	Description	Key No.	Part No.	Description
C3812	303 157 3614	CERAMIC 100P J 50V		303 276 1317	CERAMIC 1000P K 50V
	303 235 0610	CERAMIC 100P J 50V	C5227	303 401 2219	ELECT 100U M 6.3V
C5001	303 396 9613	CERAMIC 1U K 25V		303 424 0315	ELECT 100U M 6.3V
	303 397 7618	CERAMIC 1U K 25V		403 458 7219	ELECT 100U M 6.3V
	403 478 5912	CERAMIC 1U K 25V	C5240	303 453 8917	CERAMIC 0.1U K 16V
C5002	303 396 9613	CERAMIC 1U K 25V		303 453 8610	CERAMIC 0.1U K 16V
	303 397 7618	CERAMIC 1U K 25V		303 409 3426	CERAMIC 0.1U K 16V
	403 478 5912	CERAMIC 1U K 25V	RESISTOR		
C5004	303 396 9613	CERAMIC 1U K 25V	R1131	301 225 8813	MT-GLAZE 39 JA 1/16W
	303 397 7618	CERAMIC 1U K 25V	R1132	301 225 8813	MT-GLAZE 39 JA 1/16W
	403 478 5912	CERAMIC 1U K 25V	R1133	301 225 8813	MT-GLAZE 39 JA 1/16W
C5009	303 396 9613	CERAMIC 1U K 25V	R1134	301 225 8813	MT-GLAZE 39 JA 1/16W
	303 397 7618	CERAMIC 1U K 25V	R1135	301 225 8813	MT-GLAZE 39 JA 1/16W
	403 478 5912	CERAMIC 1U K 25V	R1136	301 225 8813	MT-GLAZE 39 JA 1/16W
C5011	303 394 5815	CERAMIC 4.7U K 16V	R2001	301 258 2611	MT-GLAZE 150 FA 1/10W
	303 441 5515	CERAMIC 4.7U K 16V	R2002	301 258 2611	MT-GLAZE 150 FA 1/10W
C5012	303 394 5815	CERAMIC 4.7U K 16V	R2003	301 258 2611	MT-GLAZE 150 FA 1/10W
	303 441 5515	CERAMIC 4.7U K 16V	R2004	301 258 2611	MT-GLAZE 150 FA 1/10W
C5013	303 394 5815	CERAMIC 4.7U K 16V	R2005	301 258 2611	MT-GLAZE 150 FA 1/10W
	303 441 5515	CERAMIC 4.7U K 16V	R2006	301 258 2611	MT-GLAZE 150 FA 1/10W
C5014	303 396 9613	CERAMIC 1U K 25V	R2010	301 260 4016	MT-GLAZE 68 JA 1/3W
	303 397 7618	CERAMIC 1U K 25V	R2011	301 260 4016	MT-GLAZE 68 JA 1/3W
	403 478 5912	CERAMIC 1U K 25V	R2012	301 150 5918	MT-GLAZE 10K JA 1/10W
C5021	303 396 9613	CERAMIC 1U K 25V	R2013	301 225 8813	MT-GLAZE 39 JA 1/16W
	303 397 7618	CERAMIC 1U K 25V	R2015	301 225 8813	MT-GLAZE 39 JA 1/16W
	403 478 5912	CERAMIC 1U K 25V	R2018	301 225 8813	MT-GLAZE 39 JA 1/16W
C5022	303 396 9613	CERAMIC 1U K 25V	R2019	301 255 6513	MT-GLAZE 100 JA 1/10W
	303 397 7618	CERAMIC 1U K 25V	R2020	301 255 6513	MT-GLAZE 100 JA 1/10W
	403 478 5912	CERAMIC 1U K 25V	R2035	301 150 5819	MT-GLAZE 100K JA 1/10W
C5024	403 455 1616	CERAMIC 10U K 16V	R2036	301 150 5819	MT-GLAZE 100K JA 1/10W
	403 478 5813	CERAMIC 10U K 16V	R2824	301 255 6513	MT-GLAZE 100 JA 1/10W
C5025	303 396 9613	CERAMIC 1U K 25V	R2826	301 150 5918	MT-GLAZE 10K JA 1/10W
	303 397 7618	CERAMIC 1U K 25V	R2827	301 255 6513	MT-GLAZE 100 JA 1/10W
	403 478 5912	CERAMIC 1U K 25V	R2828	301 255 6513	MT-GLAZE 100 JA 1/10W
C5026	303 396 9613	CERAMIC 1U K 25V	R2829	301 150 5819	MT-GLAZE 100K JA 1/10W
	303 397 7618	CERAMIC 1U K 25V	R3001	301 258 2611	MT-GLAZE 150 FA 1/10W
	403 478 5912	CERAMIC 1U K 25V	R3002	301 258 2611	MT-GLAZE 150 FA 1/10W
C5061	403 455 1616	CERAMIC 10U K 16V	R3003	301 258 2611	MT-GLAZE 150 FA 1/10W
	403 478 5813	CERAMIC 10U K 16V	R3004	301 258 2611	MT-GLAZE 150 FA 1/10W
C5069	403 455 1616	CERAMIC 10U K 16V	R3005	301 258 2611	MT-GLAZE 150 FA 1/10W
	403 478 5813	CERAMIC 10U K 16V	R3006	301 258 2611	MT-GLAZE 150 FA 1/10W
C5210	303 453 8917	CERAMIC 0.1U K 16V	R3007	301 258 2611	MT-GLAZE 150 FA 1/10W
	303 453 8610	CERAMIC 0.1U K 16V	R3008	301 258 2611	MT-GLAZE 150 FA 1/10W
	303 409 3426	CERAMIC 0.1U K 16V	R3009	301 258 2611	MT-GLAZE 150 FA 1/10W
C5212	303 401 2219	ELECT 100U M 6.3V	R3010	301 258 2611	MT-GLAZE 150 FA 1/10W
	303 424 0315	ELECT 100U M 6.3V	R3011	301 162 2219	MT-GLAZE 10 JA 1/10W
	403 458 7219	ELECT 100U M 6.3V	R3012	301 162 2219	MT-GLAZE 10 JA 1/10W
C5214	403 455 1012	CERAMIC 1U K 10V	R3017	301 150 6212	MT-GLAZE 1K JA 1/10W
	303 433 1112	CERAMIC 1U K 10V	R3018	301 256 6314	MT-GLAZE 47K JA 1/10W
C5218	303 453 8917	CERAMIC 0.1U K 16V	R3019	301 256 5317	MT-GLAZE 56K JA 1/10W
	303 453 8610	CERAMIC 0.1U K 16V	R3020	301 150 6212	MT-GLAZE 1K JA 1/10W
	303 409 3426	CERAMIC 0.1U K 16V	R3021	301 256 6314	MT-GLAZE 47K JA 1/10W
C5223	403 455 1012	CERAMIC 1U K 10V	R3022	301 256 5317	MT-GLAZE 56K JA 1/10W
	303 433 1112	CERAMIC 1U K 10V	R3803	301 150 6014	MT-GLAZE 0.000 ZA 1/10W
C5224	303 453 8511	CERAMIC 1000P K 50V	R3804	301 150 6014	MT-GLAZE 0.000 ZA 1/10W
	303 454 1214	CERAMIC 1000P K 50V	R3814	301 150 5819	MT-GLAZE 100K JA 1/10W

Key No.	Part No.	Description	Key No.	Part No.	Description
R3815	301 150 5819	MT-GLAZE 100K JA 1/10W	L3817	945 086 7454	FILTER,EMI 50MHZ
R3816	301 255 6513	MT-GLAZE 100 JA 1/10W	L3818	945 086 7454	FILTER,EMI 50MHZ
R3817	301 255 6513	MT-GLAZE 100 JA 1/10W	L5231	945 041 1978	INDUCTOR,330 OHM
R3818	301 256 6314	MT-GLAZE 47K JA 1/10W	L5232	945 041 1978	INDUCTOR,330 OHM
R3819	301 256 6314	MT-GLAZE 47K JA 1/10W	L8166	945 086 5368	IMPEDANCE,220 OHM P
R3820	301 256 6314	MT-GLAZE 47K JA 1/10W	DIODE		
R3821	301 256 6314	MT-GLAZE 47K JA 1/10W	D2821	307 254 2914	ZENER DIODE 02DZ6.8Y(TPH3)
R3823	301 256 6314	MT-GLAZE 47K JA 1/10W		307 209 4512	ZD UDZS-TE-176.8B
R3824	301 256 6314	MT-GLAZE 47K JA 1/10W	D2822	307 254 2914	ZENER DIODE 02DZ6.8Y(TPH3)
R5001	301 037 5017	MT-GLAZE 0.000 ZA 1/10W		307 209 4512	ZD UDZS-TE-176.8B
R5002	301 225 8110	MT-GLAZE 10 JA 1/16W	D2823	307 254 2914	ZENER DIODE 02DZ6.8Y(TPH3)
R5003	301 225 8110	MT-GLAZE 10 JA 1/16W		307 209 4512	ZD UDZS-TE-176.8B
R5025	301 224 8913	MT-GLAZE 100K JA 1/16W	D5061	307 163 0414	DIODE 1SS352-(TPH3)
R5026	301 224 8913	MT-GLAZE 100K JA 1/16W		307 149 0810	DIODE 1SS355-TE-17
R5031	301 224 8814	MT-GLAZE 100 JA 1/16W		408 062 7201	DIODE 1SS35
R5032	301 224 8814	MT-GLAZE 100 JA 1/16W	D5062	307 163 0414	DIODE 1SS352-(TPH3)
R5033	301 225 0213	MT-GLAZE 3.3K JA 1/16W		307 149 0810	DIODE 1SS355-TE-17
R5034	301 224 9316	MT-GLAZE 1K JA 1/16W		408 062 7201	DIODE 1SS35
R5036	301 225 0213	MT-GLAZE 3.3K JA 1/16W	MISCELLANEOUS		
R5037	301 224 9316	MT-GLAZE 1K JA 1/16W	IC2821	307 223 7315	PC TLP421F(D4-GB-TP4)
R5061	301 224 9316	MT-GLAZE 1K JA 1/16W		307 223 8312	PC TLP421F(D4-GR-TP4)
R5062	301 225 0213	MT-GLAZE 3.3K JA 1/16W		407 265 7813	PC TLP781F(D4-GB-TP7)
R5063	301 224 9316	MT-GLAZE 1K JA 1/16W	K20C	945 086 7676	SOCKET,BNC 1P
R5064	301 224 9316	MT-GLAZE 1K JA 1/16W		645 099 2209	SOCKET,BNC 1P
R5066	301 225 0213	MT-GLAZE 3.3K JA 1/16W	K20D	645 067 7267	SOCKET,BNC 4P
R5067	301 224 9316	MT-GLAZE 1K JA 1/16W		645 099 2216	SOCKET,BNC 4P
R5069	301 225 8011	MT-GLAZE 330 JA 1/16W	K30A	652 003 0480	JACK,RCA-2
R5214	301 224 9019	MT-GLAZE 10K JA 1/16W	K30B	945 067 6124	TERMINAL,BOARD
R5217	301 224 9019	MT-GLAZE 10K JA 1/16W		952 001 7932	TERMINAL, BOARD
R5240	301 224 9019	MT-GLAZE 10K JA 1/16W	K30C	652 003 0473	JACK,RCA-2
R5267	301 225 8110	MT-GLAZE 10 JA 1/16W	K30D	945 076 2742	JACK,PHON D3.6
R5268	301 225 8110	MT-GLAZE 10 JA 1/16W		652 002 1808	JACK,PHONE D3.6
R5273	301 224 9019	MT-GLAZE 10K JA 1/16W		652 002 4847	JACK,PHONE D3.6
R5325	301 294 2613	MT-GLAZE 4.7K FA 1/16W	K30E	945 076 2742	JACK,PHON D3.6
R5326	301 294 2613	MT-GLAZE 4.7K FA 1/16W		652 002 1808	JACK,PHONE D3.6
				652 002 4847	JACK,PHONE D3.6
COIL			K40C	645 095 2647	SOCKET,USB 4P
L2001	945 086 7577	FILTER,EMI 400MHZ	SC1007	945 076 3503	SURGE-ABSORBER
L2002	945 086 7577	FILTER,EMI 400MHZ	SC1008	945 076 3503	SURGE-ABSORBER
L2003	945 086 7577	FILTER,EMI 400MHZ	SC2001	945 076 3503	SURGE-ABSORBER
L2004	945 086 7560	FILTER,EMI 200MHZ	SC2002	945 076 3503	SURGE-ABSORBER
L2006	945 086 7560	FILTER,EMI 200MHZ	SC2003	945 076 3503	SURGE-ABSORBER
L2821	945 086 7454	FILTER,EMI 50MHZ	SC2004	945 076 3503	SURGE-ABSORBER
L2822	945 086 7454	FILTER,EMI 50MHZ	SC2006	945 076 3503	SURGE-ABSORBER
L3001	945 086 7577	FILTER,EMI 400MHZ	SC3001	945 076 3503	SURGE-ABSORBER
L3002	945 086 7577	FILTER,EMI 400MHZ	SC3002	945 076 3503	SURGE-ABSORBER
L3003	945 086 7577	FILTER,EMI 400MHZ	SC3003	945 076 3503	SURGE-ABSORBER
L3004	945 086 7461	FILTER,EMI 100MHZ	SC3004	945 076 3503	SURGE-ABSORBER
L3006	945 086 7461	FILTER,EMI 100MHZ	SC3006	945 076 3503	SURGE-ABSORBER
L3803	945 070 3660	INDUCTOR,90 OHM	SC3813	945 076 3503	SURGE-ABSORBER
L3804	945 059 2240	INDUCTOR,2.2U M	SC3814	945 076 3503	SURGE-ABSORBER
L3811	945 086 7454	FILTER,EMI 50MHZ	SC3815	945 076 3503	SURGE-ABSORBER
L3812	945 086 7454	FILTER,EMI 50MHZ	SC3816	945 076 3503	SURGE-ABSORBER
L3813	945 086 7454	FILTER,EMI 50MHZ	SC3817	945 076 3503	SURGE-ABSORBER
L3814	945 086 7454	FILTER,EMI 50MHZ	SC3818	945 076 3503	SURGE-ABSORBER
L3815	945 086 7454	FILTER,EMI 50MHZ			
L3816	945 086 7454	FILTER,EMI 50MHZ			

Key No.	Part No.	Description	Key No.	Part No.	Description
SC3819	945 076 3503	SURGE-ABSORBER		303 370 0018	CERAMIC 10U K 6.3V
SC3821	945 076 3503	SURGE-ABSORBER		303 368 7319	CERAMIC 10U K 6.3V
A3600 655 003 9682 ASSY,PWB,NET JOINT KK8A			C3616	303 367 0410	CERAMIC 0.1U K 50V
TRANSISTOR				303 370 1510	CERAMIC 0.1U K 50V
Q3601	305 014 4512	TR 2SC2412K T146 R	C3617	303 453 8917	CERAMIC 0.1U K 16V
	305 014 4611	TR 2SC2412K T146 S		303 453 8610	CERAMIC 0.1U K 16V
	305 015 8727	TR 2SC2812-L6-TB		303 409 3426	CERAMIC 0.1U K 16V
	305 015 8925	TR 2SC2812-L7-TB	C3619	303 381 5316	ELECT 100U M 16V
	305 163 1615	TR 2SC2812N-L6-TB0		303 369 3211	ELECT 100U M 16V
	305 173 9816	TR 2SC3928A1R	C3620	303 453 8917	CERAMIC 0.1U K 16V
	305 173 9915	TR 2SC3928A1S		303 453 8610	CERAMIC 0.1U K 16V
Q3602	305 047 9010	TR 2SB1204-S-TL-E		303 409 3426	CERAMIC 0.1U K 16V
Q3603	305 014 4512	TR 2SC2412K T146 R	RESISTOR		
	305 014 4611	TR 2SC2412K T146 S	R1885	301 226 1516	MT-GLAZE 0.000 ZA 1/16W
	305 015 8727	TR 2SC2812-L6-TB	R1886	301 226 1516	MT-GLAZE 0.000 ZA 1/16W
	305 015 8925	TR 2SC2812-L7-TB	R1887	301 226 1516	MT-GLAZE 0.000 ZA 1/16W
	305 163 1615	TR 2SC2812N-L6-TB0	R1889	301 226 1516	MT-GLAZE 0.000 ZA 1/16W
	305 173 9816	TR 2SC3928A1R	R1890	301 226 1516	MT-GLAZE 0.000 ZA 1/16W
	305 173 9915	TR 2SC3928A1S	R1894	301 225 1210	MT-GLAZE 4.7K JA 1/16W
INTEGRATED CIRCUIT			R1895	301 225 1210	MT-GLAZE 4.7K JA 1/16W
IC1883	309 246 9710	IC LA6358NM-TE-L-E	R1897	301 225 1210	MT-GLAZE 4.7K JA 1/16W
IC9887	309 673 9819	IC PQ070XNA1ZPH	R1898	301 226 1516	MT-GLAZE 0.000 ZA 1/16W
CAPACITOR			R3610	301 150 6014	MT-GLAZE 0.000 ZA 1/10W
C1886	303 453 8917	CERAMIC 0.1U K 16V	R3611	301 150 6014	MT-GLAZE 0.000 ZA 1/10W
	303 453 8610	CERAMIC 0.1U K 16V	R3612	301 150 6014	MT-GLAZE 0.000 ZA 1/10W
	303 409 3426	CERAMIC 0.1U K 16V	R3613	301 150 6014	MT-GLAZE 0.000 ZA 1/10W
C1890	303 358 3215	CERAMIC 10U K 6.3V	R3614	301 162 2219	MT-GLAZE 10 JA 1/10W
	303 370 0018	CERAMIC 10U K 6.3V	R3615	301 150 6014	MT-GLAZE 0.000 ZA 1/10W
	303 368 7319	CERAMIC 10U K 6.3V	R3616	301 150 6014	MT-GLAZE 0.000 ZA 1/10W
C1891	303 453 8917	CERAMIC 0.1U K 16V	R3617	301 150 6014	MT-GLAZE 0.000 ZA 1/10W
	303 453 8610	CERAMIC 0.1U K 16V	R3618	301 150 6014	MT-GLAZE 0.000 ZA 1/10W
	303 409 3426	CERAMIC 0.1U K 16V	R3619	301 150 5918	MT-GLAZE 10K JA 1/10W
C1892	303 453 8917	CERAMIC 0.1U K 16V	R3620	301 150 5918	MT-GLAZE 10K JA 1/10W
	303 453 8610	CERAMIC 0.1U K 16V	R3621	301 256 4914	MT-GLAZE 360 JA 1/10W
	303 409 3426	CERAMIC 0.1U K 16V	R3623	301 037 5017	MT-GLAZE 0.000 ZA 1/10W
C1893	303 453 8917	CERAMIC 0.1U K 16V	R3624	301 150 5918	MT-GLAZE 10K JA 1/10W
	303 453 8610	CERAMIC 0.1U K 16V	R3625	301 264 1813	MT-GLAZE 1K FA 1/10W
	303 409 3426	CERAMIC 0.1U K 16V	R3626	301 162 2714	MT-GLAZE 180 JA 1/10W
C3610	303 453 8917	CERAMIC 0.1U K 16V	R3627	301 264 3718	MT-GLAZE 1.5K FA 1/10W
	303 453 8610	CERAMIC 0.1U K 16V	R3628	301 037 5017	MT-GLAZE 0.000 ZA 1/10W
	303 409 3426	CERAMIC 0.1U K 16V	R3629	301 150 5918	MT-GLAZE 10K JA 1/10W
C3611	303 381 5316	ELECT 100U M 16V	R3630	301 150 5918	MT-GLAZE 10K JA 1/10W
	303 369 3211	ELECT 100U M 16V	R3631	301 150 6014	MT-GLAZE 0.000 ZA 1/10W
C3612	303 453 8917	CERAMIC 0.1U K 16V	R3632	301 162 2219	MT-GLAZE 10 JA 1/10W
	303 453 8610	CERAMIC 0.1U K 16V	R3633	301 162 2219	MT-GLAZE 10 JA 1/10W
	303 409 3426	CERAMIC 0.1U K 16V	R3634	301 190 1710	MT-GLAZE 0.000 ZA 1W
C3613	303 396 9415	CERAMIC 1U K 10V	COIL		
	303 358 8319	CERAMIC 1U K 10V	L3610	945 073 6408	IMPEDANCE,100 OHM -
	303 364 5814	CERAMIC 1U K 10V	L3612	945 073 6408	IMPEDANCE,100 OHM -
C3614	303 396 9415	CERAMIC 1U K 10V	L3613	945 073 6408	IMPEDANCE,100 OHM -
	303 358 8319	CERAMIC 1U K 10V	L3625	945 002 5045	INDUCTOR,0.10U M
	303 364 5814	CERAMIC 1U K 10V	L3626	945 002 5045	INDUCTOR,0.10U M
C3615	303 358 3215	CERAMIC 10U K 6.3V	L3627	945 002 5045	INDUCTOR,0.10U M
			DIODE		
			D3601	307 163 0414	DIODE 1SS352-(TPH3)

Key No.	Part No.	Description	Key No.	Part No.	Description
	307 149 0810	DIODE 1SS355-TE-17		408 063 1802	ZENER DIODE MM3Z12B
	408 062 7201	DIODE 1SS35			
D3602	307 163 0414	DIODE 1SS352-(TPH3)			
	307 149 0810	DIODE 1SS355-TE-17			
	408 062 7201	DIODE 1SS35			
D3603	307 223 5014	DIODE D1FM3			
MISCELLANEOUS			MISCELLANEOUS		
K31B	645 098 7168	PLUG,D-SUB 25P			
SC3611	945 076 3503	SURGE-ABSORBER			
SC3612	945 076 3503	SURGE-ABSORBER			
SC3613	945 076 3503	SURGE-ABSORBER			
SC3614	945 076 3503	SURGE-ABSORBER			
SC3615	945 076 3503	SURGE-ABSORBER			
SC3616	945 076 3503	SURGE-ABSORBER			
SC3617	945 076 3503	SURGE-ABSORBER			
SC3618	945 076 3503	SURGE-ABSORBER			
A6800	655 003 9675	ASSY,PWB,F/T RC+LED KK8A	A6870	655 003 9668	ASSY,PWB,CONTROL KK8A
CAPACITOR			CAPACITOR		
C2851	303 396 9415	CERAMIC 1U K 10V	C6878	303 453 8917	CERAMIC 0.1U K 16V
	303 358 8319	CERAMIC 1U K 10V		303 453 8610	CERAMIC 0.1U K 16V
	303 364 5814	CERAMIC 1U K 10V		303 409 3426	CERAMIC 0.1U K 16V
C2852	303 157 6615	CERAMIC 470P K 50V			
	303 235 4915	CERAMIC 470P K 50V			
C2853	303 450 7012	CERAMIC 47U K 10V			
C2854	303 396 9415	CERAMIC 1U K 10V			
	303 358 8319	CERAMIC 1U K 10V			
	303 364 5814	CERAMIC 1U K 10V			
C2855	303 157 6615	CERAMIC 470P K 50V			
	303 235 4915	CERAMIC 470P K 50V			
C2856	303 450 7012	CERAMIC 47U K 10V			
C6891	303 367 0410	CERAMIC 0.1U K 50V			
	303 370 1510	CERAMIC 0.1U K 50V			
RESISTOR			RESISTOR		
R2851	301 256 5614	MT-GLAZE 47 JA 1/10W	R6871	301 225 1814	MT-GLAZE 47 JA 1/16W
R2852	301 255 6513	MT-GLAZE 100 JA 1/10W	R6872	301 225 1814	MT-GLAZE 47 JA 1/16W
R2853	301 256 5614	MT-GLAZE 47 JA 1/10W	R6873	301 225 1814	MT-GLAZE 47 JA 1/16W
R2854	301 255 6513	MT-GLAZE 100 JA 1/10W	R6874	301 225 1814	MT-GLAZE 47 JA 1/16W
R6891	301 150 6014	MT-GLAZE 0.000 ZA 1/10W	R6875	301 225 1814	MT-GLAZE 47 JA 1/16W
R6892	301 150 6014	MT-GLAZE 0.000 ZA 1/10W	R6876	301 225 1814	MT-GLAZE 47 JA 1/16W
R6893	301 150 6014	MT-GLAZE 0.000 ZA 1/10W	R6877	301 225 1814	MT-GLAZE 47 JA 1/16W
R6894	301 150 6014	MT-GLAZE 0.000 ZA 1/10W	R6878	301 226 1516	MT-GLAZE 0.000 ZA 1/16W
R6895	301 150 6014	MT-GLAZE 0.000 ZA 1/10W			
R6896	301 255 5813	MT-GLAZE 2K JA 1/10W			
DIODE			DIODE		
D6881	307 203 7915	LED SML-210MT T86 M	D6871	307 222 5916	ZENER DIODEUDZS3.6B-TE-17
D6882	307 203 7816	LED SML-210LT T86 M		408 063 4209	ZENER DIODE MM3Z3V6B
D6883	307 203 7816	LED SML-210LT T86 M	D6872	307 163 0414	DIODE 1SS352-(TPH3)
D6884	408 068 5508	LED KPT-2012YC		307 149 0810	DIODE 1SS355-TE-17
D6885	307 203 7717	LED SML-210DT T86 L		408 062 7201	DIODE 1SS35
D6886	407 259 7515	LED SMLE12BC7TT86	D6873	307 222 5916	ZENER DIODEUDZS3.6B-TE-17
D6892	307 223 0514	ZENER DIODE 02DZ12Y(TPH3)		408 063 4209	ZENER DIODE MM3Z3V6B
	307 221 7119	ZENER DIODE UDZS-TE-1712B	D6874	307 163 0414	DIODE 1SS352-(TPH3)
				307 149 0810	DIODE 1SS355-TE-17
				408 062 7201	DIODE 1SS35
			D6875	307 222 5916	ZENER DIODEUDZS3.6B-TE-17
				408 063 4209	ZENER DIODE MM3Z3V6B
			D6876	307 163 0414	DIODE 1SS352-(TPH3)
				307 149 0810	DIODE 1SS355-TE-17
				408 062 7201	DIODE 1SS35
			D6877	307 222 5916	ZENER DIODEUDZS3.6B-TE-17
				408 063 4209	ZENER DIODE MM3Z3V6B
			D6878	307 222 5916	ZENER DIODEUDZS3.6B-TE-17
				408 063 4209	ZENER DIODE MM3Z3V6B
			D6879	307 222 5916	ZENER DIODEUDZS3.6B-TE-17
				408 063 4209	ZENER DIODE MM3Z3V6B
			D6880	307 222 5916	ZENER DIODEUDZS3.6B-TE-17
				408 063 4209	ZENER DIODE MM3Z3V6B
			D6895	307 223 0514	ZENER DIODE 02DZ12Y(TPH3)
				307 221 7119	ZENER DIODE UDZS-TE-1712B
				408 063 1802	ZENER DIODE MM3Z12B
MISCELLANEOUS			MISCELLANEOUS		
			SW6871	945 026 2792	SWITCH,PUSH 1P-1TX1
			SW6872	945 026 2792	SWITCH,PUSH 1P-1TX1
			SW6873	945 026 2792	SWITCH,PUSH 1P-1TX1
			SW6874	945 026 2792	SWITCH,PUSH 1P-1TX1
			SW6875	945 026 2792	SWITCH,PUSH 1P-1TX1
			SW6876	945 026 2792	SWITCH,PUSH 1P-1TX1

Electrical Parts List

KK8-WXL20000

Key No.	Part No.	Description	Key No.	Part No.	Description
SW6877	945 026 2792	SWITCH,PUSH 1P-1TX1			
SW6878	945 026 2792	SWITCH,PUSH 1P-1TX1			
SW6879	945 026 2792	SWITCH,PUSH 1P-1TX1			
SW6880	945 026 2792	SWITCH,PUSH 1P-1TX1			

EIKI

A-key to better communications

Schematic Diagrams Printed Wiring Board Drawings

Model	Chassis No.
LC-WXL200	KK8-WXL20000

These schematic diagrams and printed wiring board drawings are part of the service manual original for chassis No. KK8-WXL20000, model LC-WXL200. File with the service manual No. SM511269-00.

Note:

All the information of part numbers and values indicated on these diagrams are at the beginning of production. To improve the performance, there may be some differences to the actual set. When you order the service parts, use service parts code mentioned on the parts list in this service manual.

Parts description and reading in schematic diagram

1. The parts specification of resistors, capacitors and coils are expressed in designated code. Please check the parts description by the following code table.
2. Some of transistors and diodes are indicated in mark for the substitution of parts name. Please check the parts name by the following code table.
3. Voltages and waveforms were taken with a video color bar signal (1Vp-p at 75 ohms terminated) and controls to normal.
4. Voltages were taken with a high-impedance digital voltmeter.

Capacitor Reading

Example 2000 K K 1000 BG

Example 160 E M 10

Characteristic

Capacitance value
Excepting electric capacitors, all capacitance values of less than 1 are expressed in μF and more than 1 are in pF.

Tolerance

Type

Rated voltage

Material table

Mark	Material
E	Electrolytic
P	Electrolytic (non-polarized)
C	Ceramic (temperature compensation)
K	Ceramic
F	Polyester
N	Polypropylene
M	Metalized polypropylene
H	Metalized polypropylar
B	Ceramic (semiconductor)
G	Metalized polyester
Y	Composite film
S	Styrol
T	Tantalum oxide solid electrolytic
U	Organic semiconductive electrolyte
D	Electric double layer electrolytic

Tolerance table

Mark	Tolerance
A	not specified
B	± 0.1
C	± 0.25
D	± 0.5
F	± 1
G	± 2
E	± 2.5
H	± 3
J	± 5
K	± 10
M	± 20
N	± 30
P	+100 -0
Q	+30 -10
T	+50 -10
U	+75 -10
V	+20 -10
W	+100 -10
X	+40 -20
Y	+150 -10
Z	+80 -20

Coil Reading

Example L2 C1 4R7 K N

Tolerance

Inductance value

Manufacture code

Unique code

Mark	Tolerance (nH)	Mark	Tolerance (%)
C	± 0.25	G	± 2
D	± 0.5	J	± 5
S	± 0.3	K	± 10
A	± 0.2	L	± 15
		M	± 20

Resistor Reading

Example 1/2 D J 10K B

Example 6 W K 8.2

Example 1/2 C K 1M

Characteristic

Z (Carbon fuse)

B (Non-burnable)

K indicates in $\text{K}\Omega$

M indicate in $\text{M}\Omega$

Resistance value

Tolerance (see below table)

Material (see below table)

Rated wattage (W)

Note: Resistor which is indicated with resistance value only are 1/6W carbon resistor. Resistor which is indicated with material, tolerance and value are 1/4W rated wattage.

Material table

Mark	Material
D	Carbon
N	Metal film
S	Oxide metal film
C	Solid
G	Metal glaze
W	Wire winding or cement
H	Ceramic
F	Fusible

Tolerance table

Mark	Tolerance
A	± 0.05
B	± 0.1
C	± 0.25
D	± 0.5
F	± 1
G	± 2
J	± 5
K	± 10
M	± 20
P	+5 -15
Z	used in 0 ohm

Diode/Transistor Type Reading

Diode

Mark	Type number
R	1S2076A,1S2473,1N4148
AA	1S2076A,1S2473,1SS133,1N4148

Transistor (1) NPN type

Mark	Type number			
--	2SC536	2SC945A	2SC1815	2SC1740S
AD	NF, NG	PA, QA	Y, GR	Q, R, S
AE	NF, NG	PA, QA, RA	O, Y, GR	Q, R, S

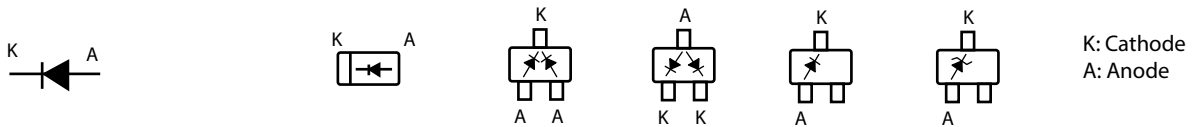
(2) PNP type

Mark	Type number			
--	2SA608	2SA564A	2SA1015	2SA933S
AB	NF	R	Y, GR	R
AC	NF	Q, R	O, Y, GR	Q, R

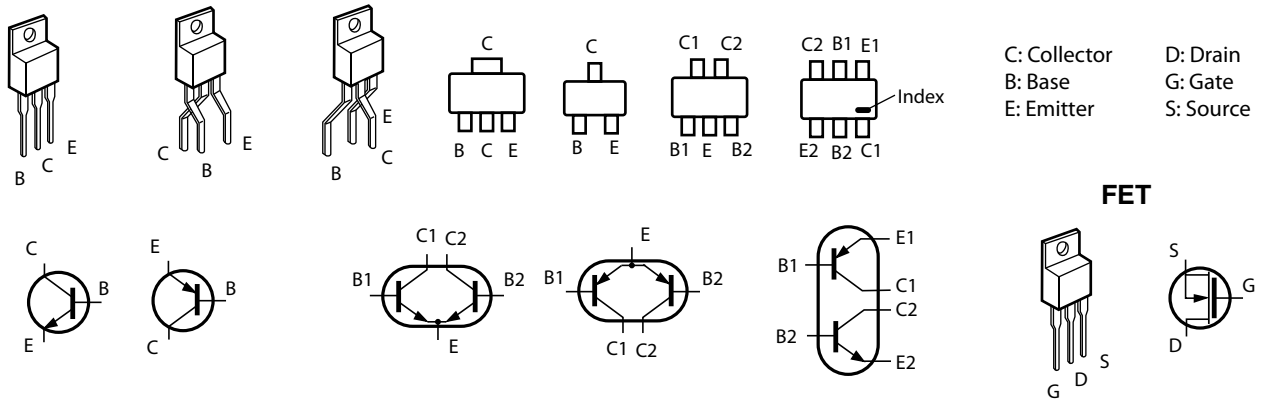
(3) Chip type

Mark	Type number				
--	2SA1179N	2SA1037K	2SA1037AK	2SC2812/N	2SC2412K
AJ	M6, M7	R, S	R, S		
AH				L6, L7	R, S

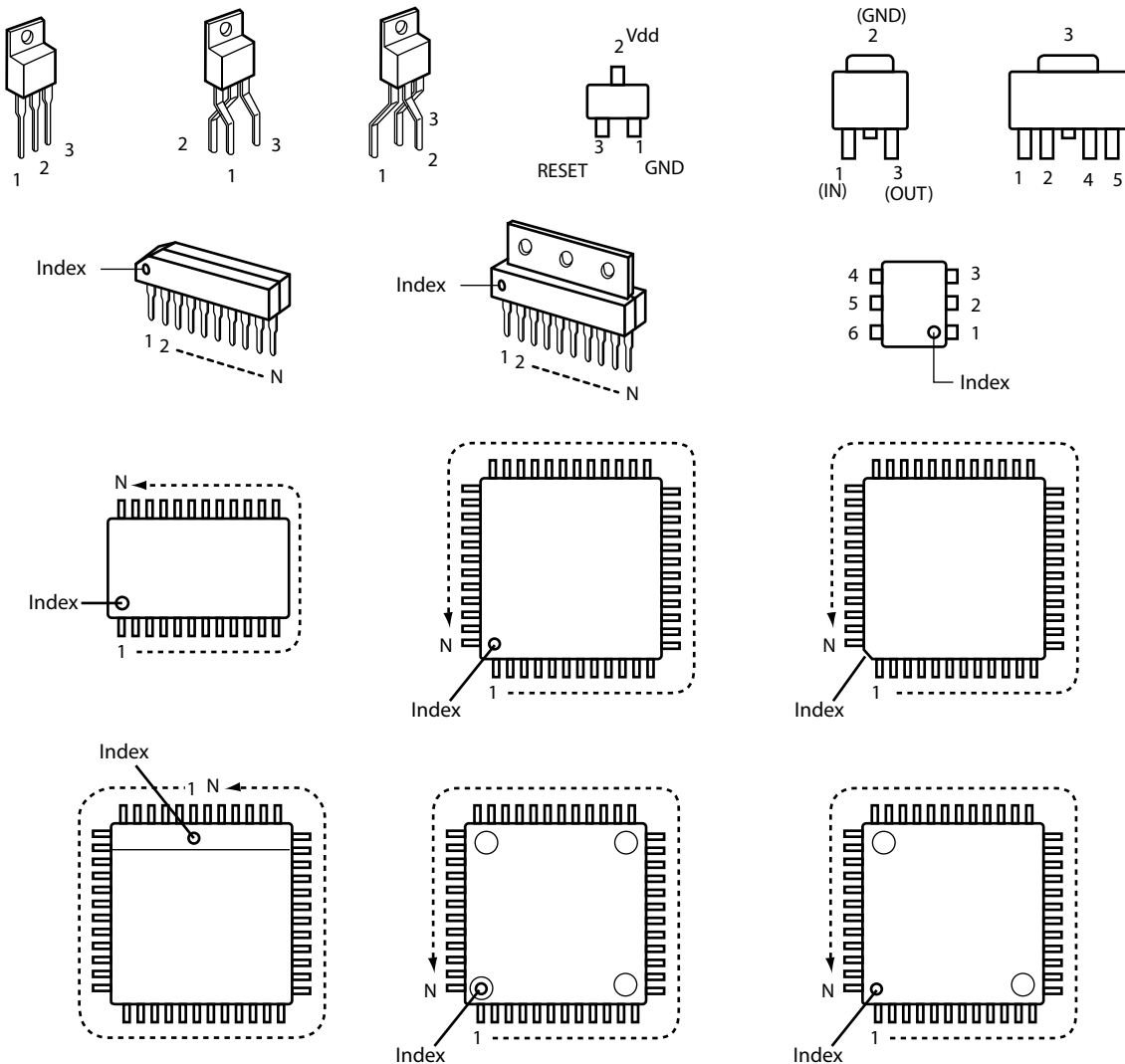
● Diode



● Transistor/FET



● IC



Note on Soldering

Do not use solder containing lead.

This product has been manufactured using lead-free solder in order to help preserve the environment.

Because of this, be sure to use lead-free solder when carrying out repair work, and never use solder containing lead.

Lead-free solder has a melting point that is 30–40 °C (86–104 °F) higher than solder containing lead, and moreover it does not contain lead which attaches easily to other metals. As a result, it does not melt as easily as solder containing lead, and soldering will be more difficult even if the temperature of the soldering iron is increased.

The extra difficulty in soldering means that soldering time will increase and damage to the components or the circuit board may easily occur.

Because of this, you should use a soldering iron and solder that satisfy the following conditions when carrying out repair work. Also, soldering work must be done in a short time.

Soldering iron

Use a soldering iron which is 70 W or equivalent, and which lets you adjust the tip temperature up to 450 °C (842 °F) It should also have as good temperature recovery characteristics as possible.

Solder

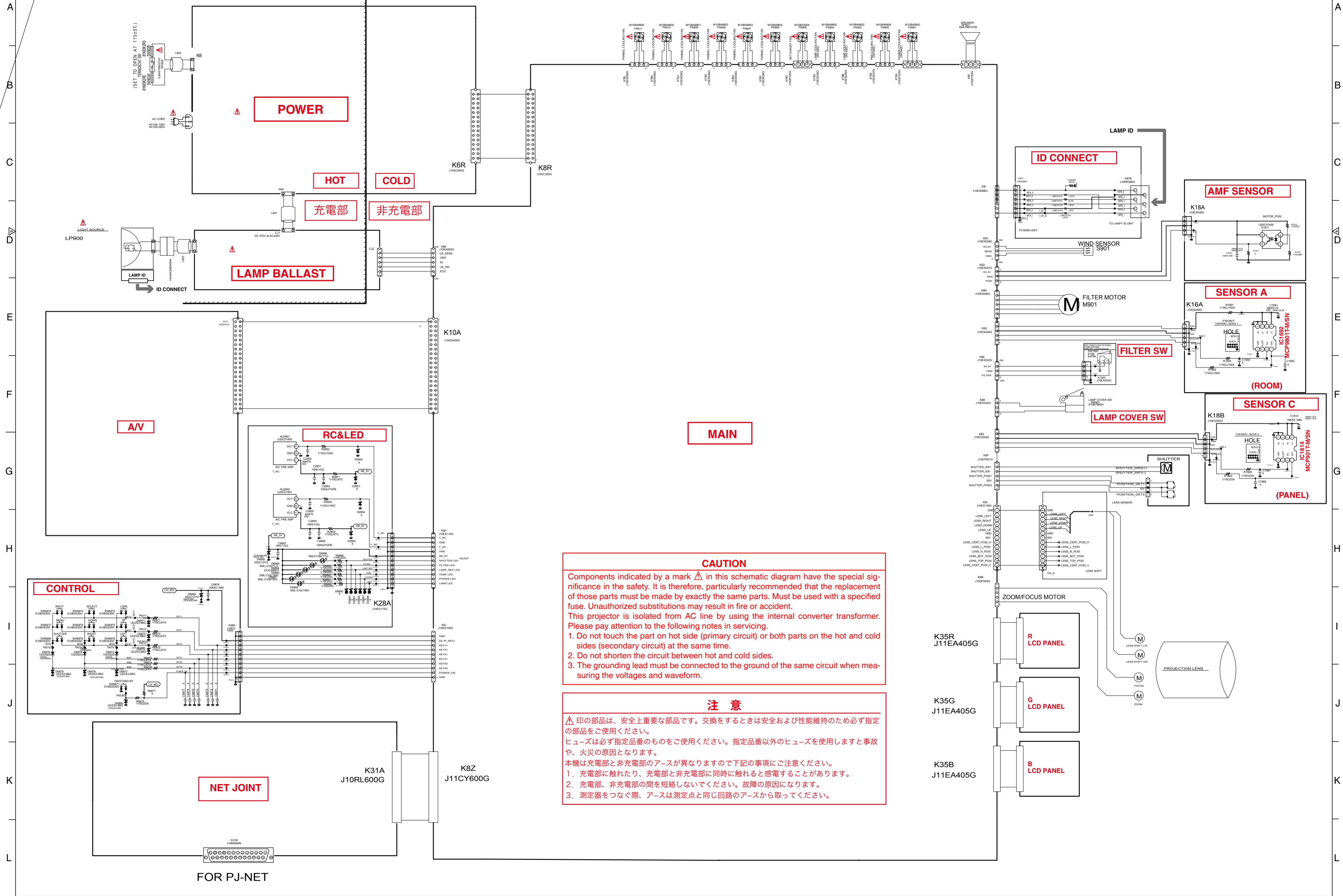
Use solder with the metal content and composition ratio by weight given in the table below. Do not use solders which do not meet these conditions.

Metal content	Tin (Sn)	Silver (Ag)	Copper (Cu)
Composition ratio by weight	96.5 %	3.0 %	0.5 %

Note:

If replacing existing solder containing lead with lead-free solder in the soldered parts of products that have been manufactured up until now, remove all of the existing solder at those parts before applying the lead-free solder.

Schematic Diagrams



CAUTION

Components indicated by a mark ⚠ in this schematic diagram have the special significance in the safety. It is therefore, particularly recommended that the replacement of those parts must be made by exactly the same parts. Must be used with a specified fuse. Unauthorized substitutions may result in fire or accident.

This projector is isolated from AC line by using the internal converter transformer. Please pay attention to the following notes in servicing.

1. Do not touch the part on hot side (primary circuit) or both parts on the hot and cold sides (secondary circuit) at the same time.
2. Do not shorten the circuit between hot and cold sides.
3. The grounding lead must be connected to the ground of the same circuit when measuring the voltages and waveform.

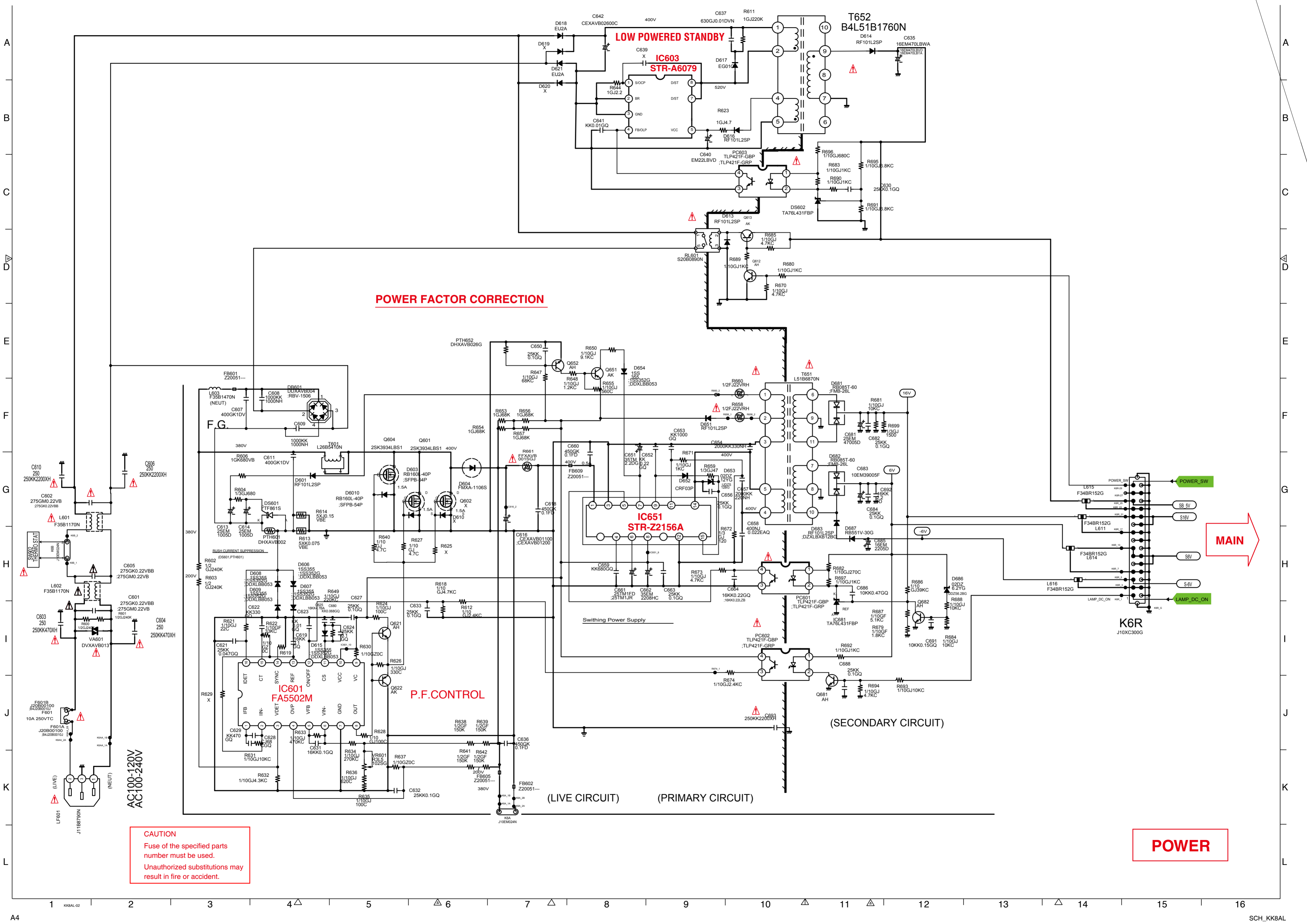
注意

⚠印の部品は、安全上重要な部品です。交換をするときは安全および性能維持のため必ず指定の部品をご使用ください。

ヒューズは必ず指定品番のものをご使用ください。指定品番以外のヒューズを使用しますと事故や、火災の原因となります。

本機は充電部と非充電部のアースが異なりますので下記の事項にご注意ください。

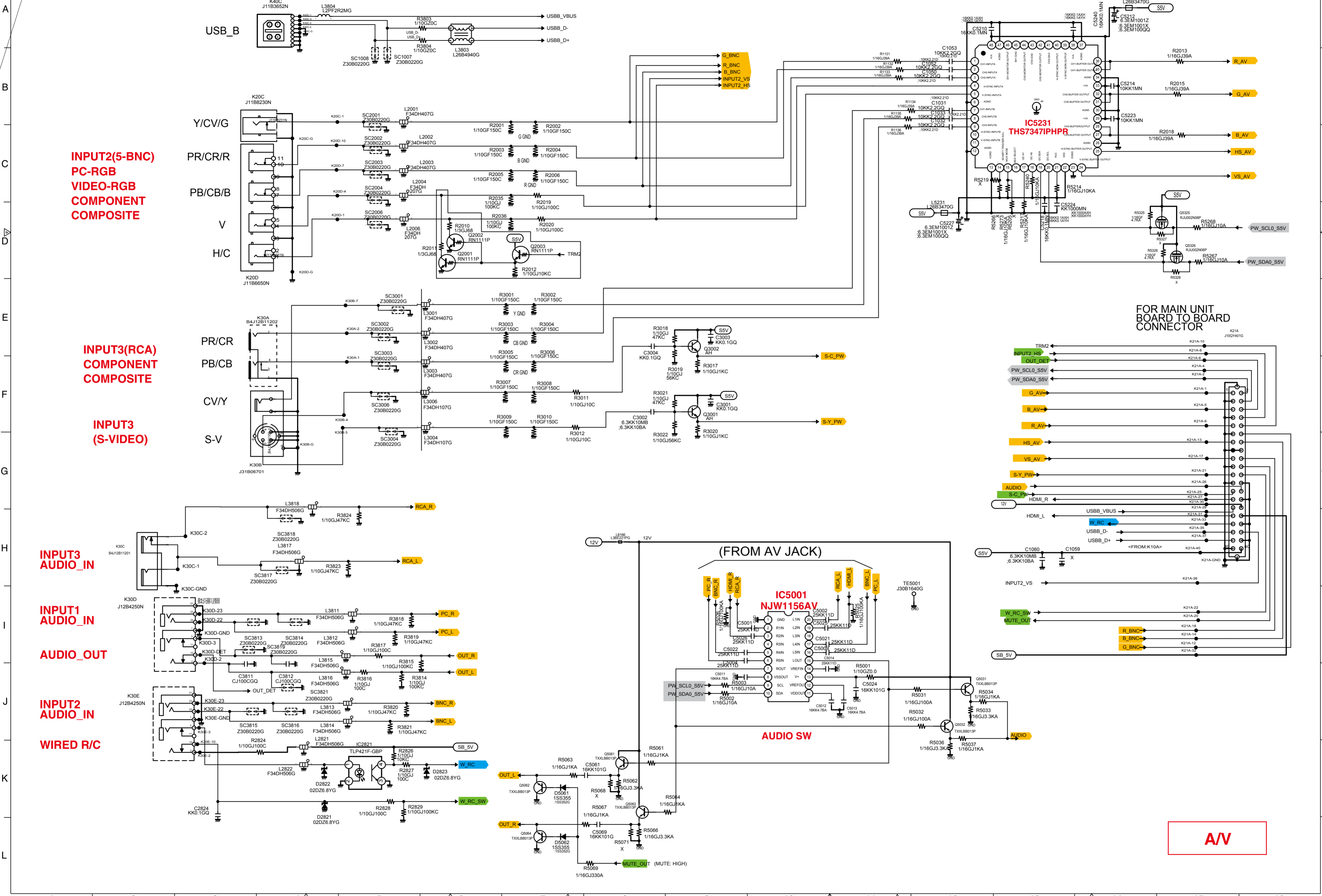
1. 充電部に触れたり、充電部と非充電部に同時に触れると感電することがあります。
2. 充電部、非充電部の間を短絡しないでください。故障の原因になります。
3. 測定器をつなぐ際、アースは測定点と同じ回路のアースから取ってください。



CAUTION
 Fuse of the specified parts number must be used.
 Unauthorized substitutions may result in fire or accident.

POWER

MAIN →



INPUT2(5-BNC)
PC-RGB
VIDEO-RGB
COMPONENT
COMPOSITE

INPUT3(RCA)
COMPONENT
COMPOSITE

INPUT3
(S-VIDEO)

INPUT3
AUDIO_IN

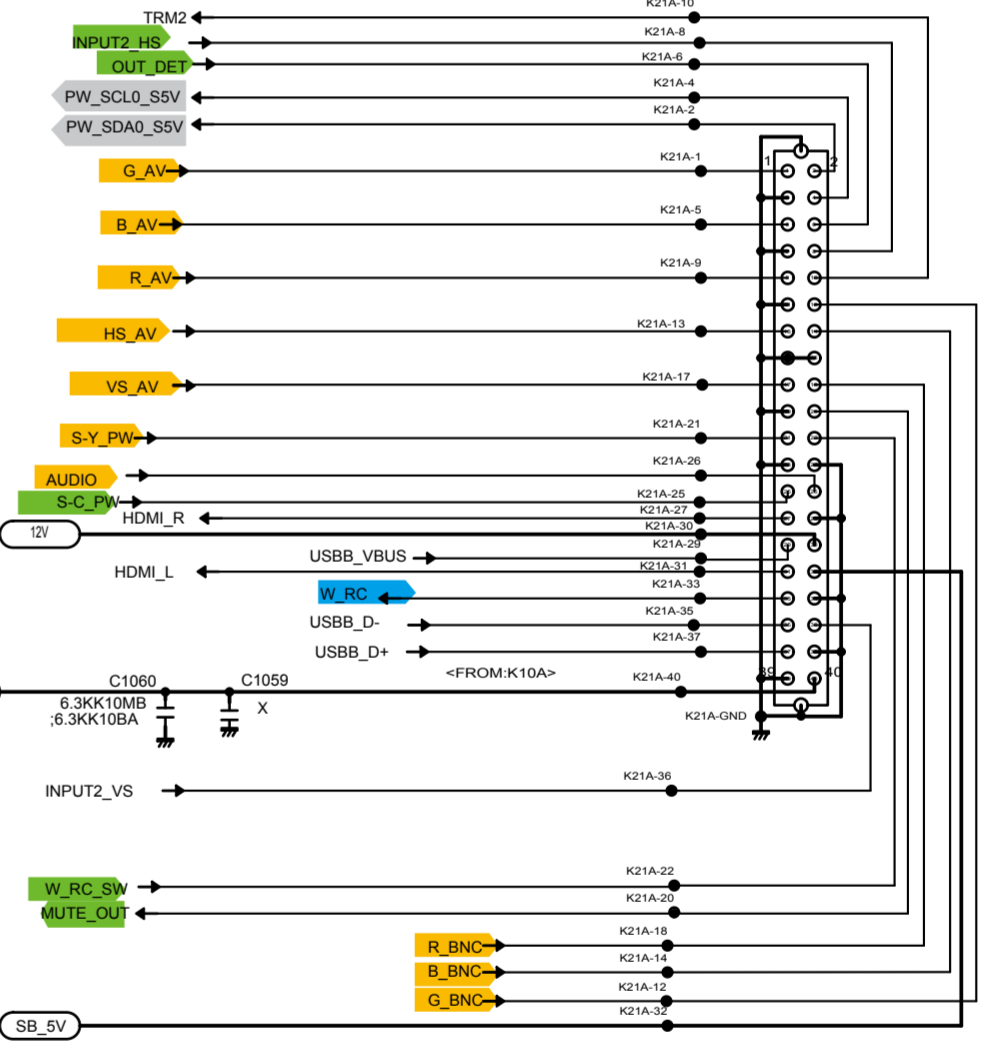
INPUT1
AUDIO_IN

AUDIO_OUT

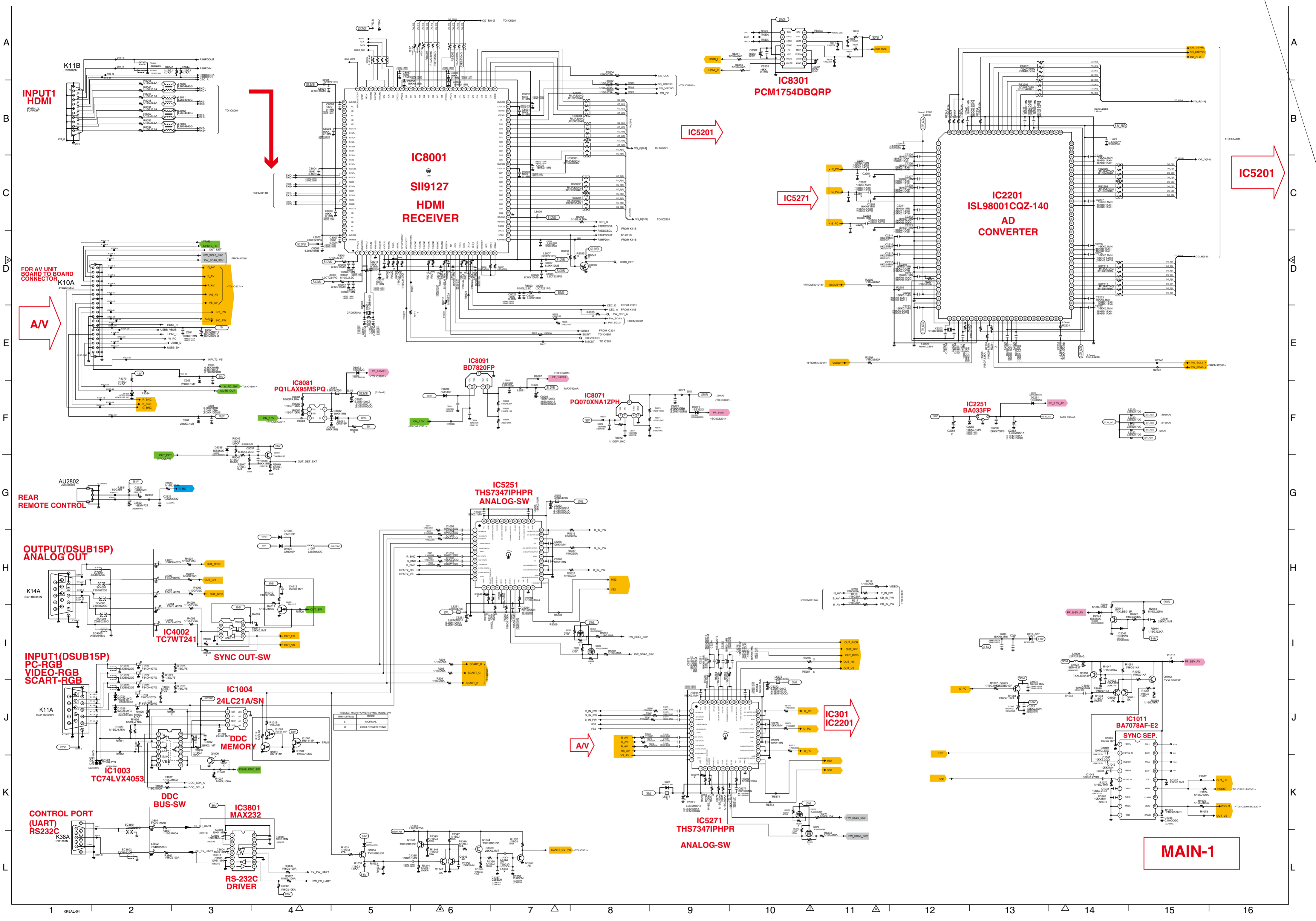
INPUT2
AUDIO_IN

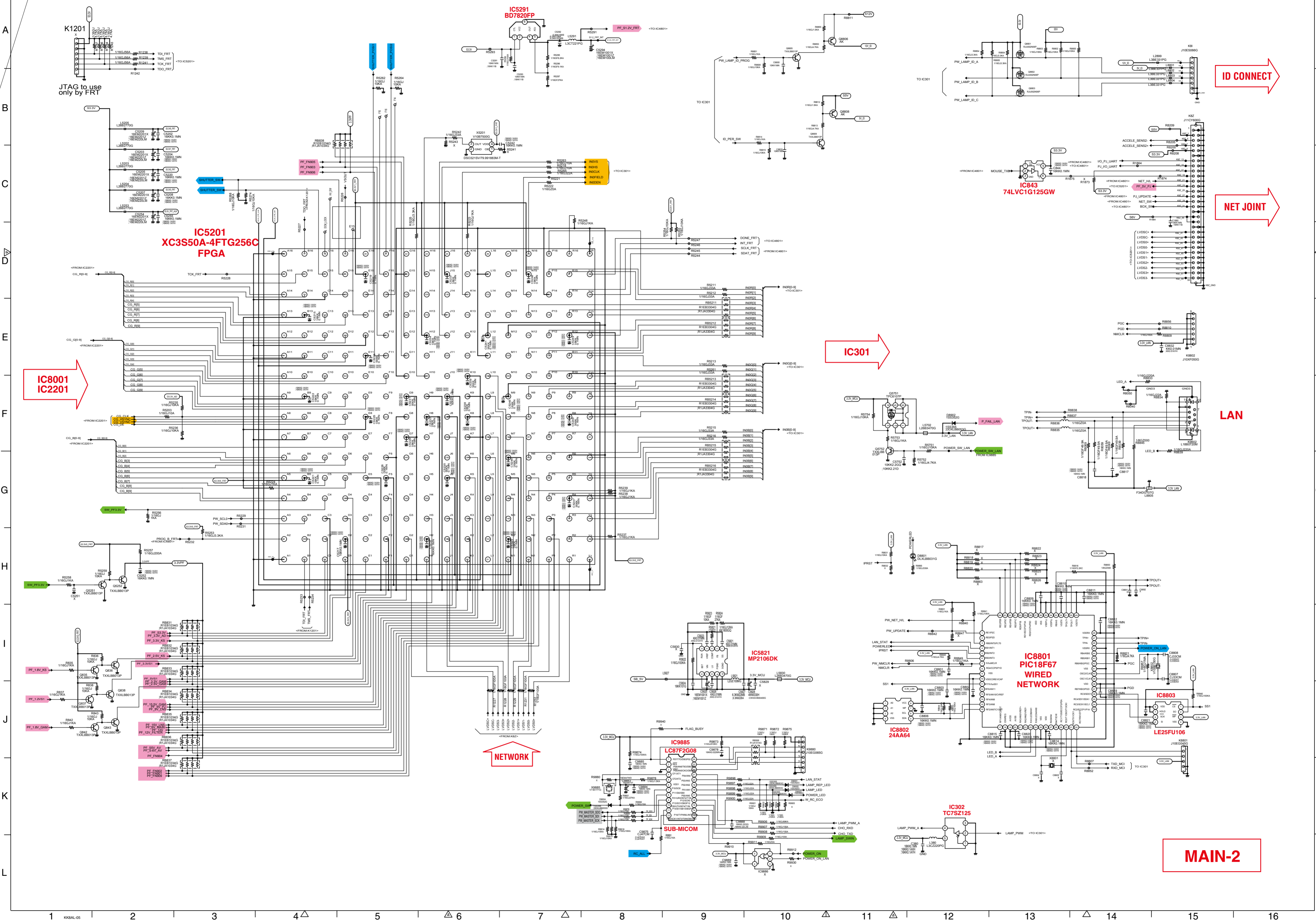
WIRED R/C

FOR MAIN UNIT
BOARD TO BOARD
CONNECTOR



AV





ID CONNECT

NET JOINT

IC301

LAN

IC8801
PIC18F67
WIRED
NETWORK

NETWORK

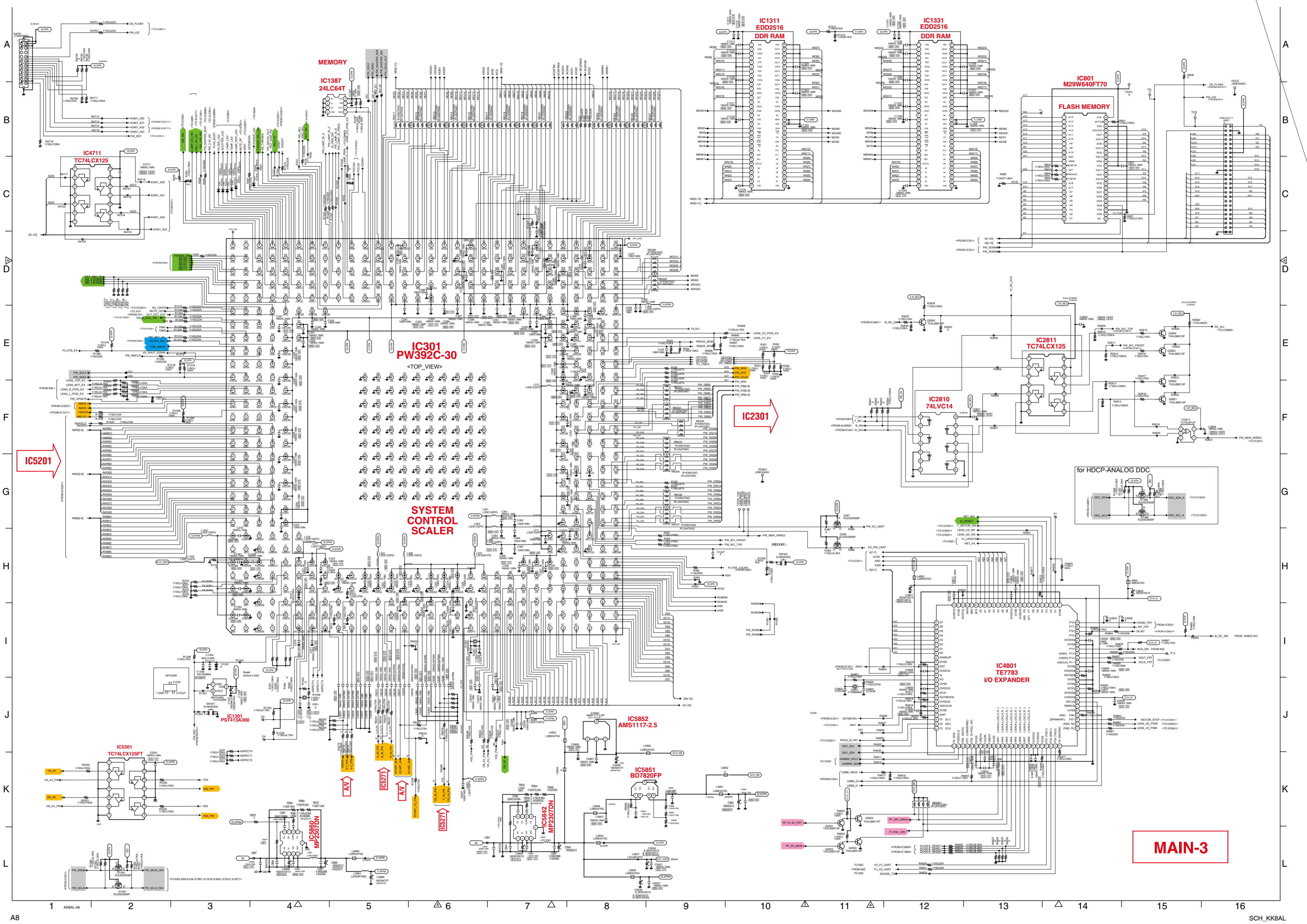
IC5821
MP2106DK

IC9885
LCB7F2G08

SUB-MICOM

IC302
TC7SZ125

MAIN-2



MEMORY

**IC1311
EDD2516
DDR RAM**

**IC1331
EDD2516
DDR RAM**

FLASH MEMORY

**IC801
M29W640FT70**

**IC4711
TC74LCX125**

**IC301
PW392C-30**

<TOP VIEW>

IC2301

**IC2810
74LVCT14**

**IC2811
TC74LCX125**

IC5201

SYSTEM CONTROL SCALER

**IC4801
TE7783
I/O EXPANDER**

**IC1301
PS7413A300**

**IC5852
AMS1117-2.5**

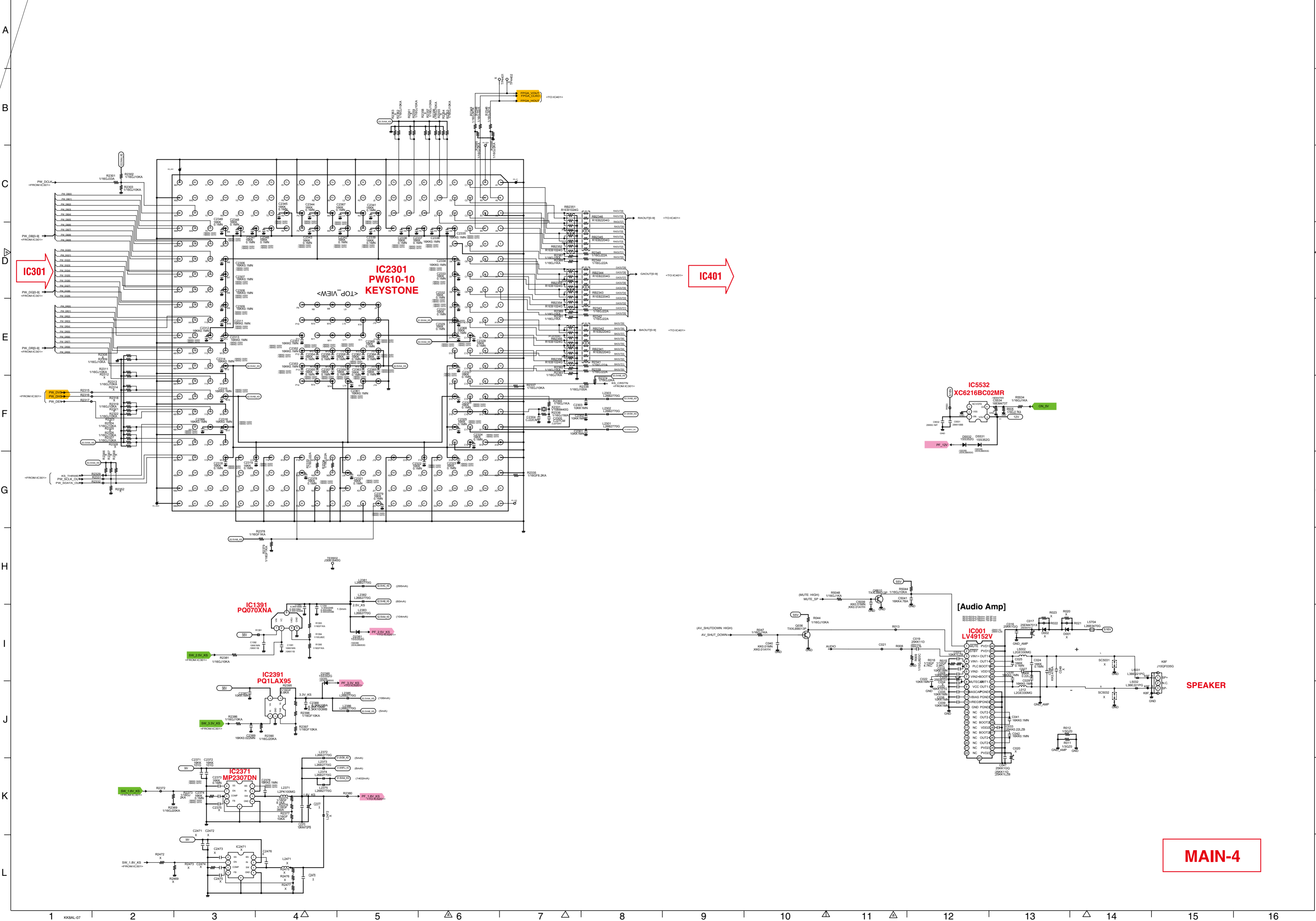
**IC5851
BD7820FP**

**IC5842
MP2307DN**

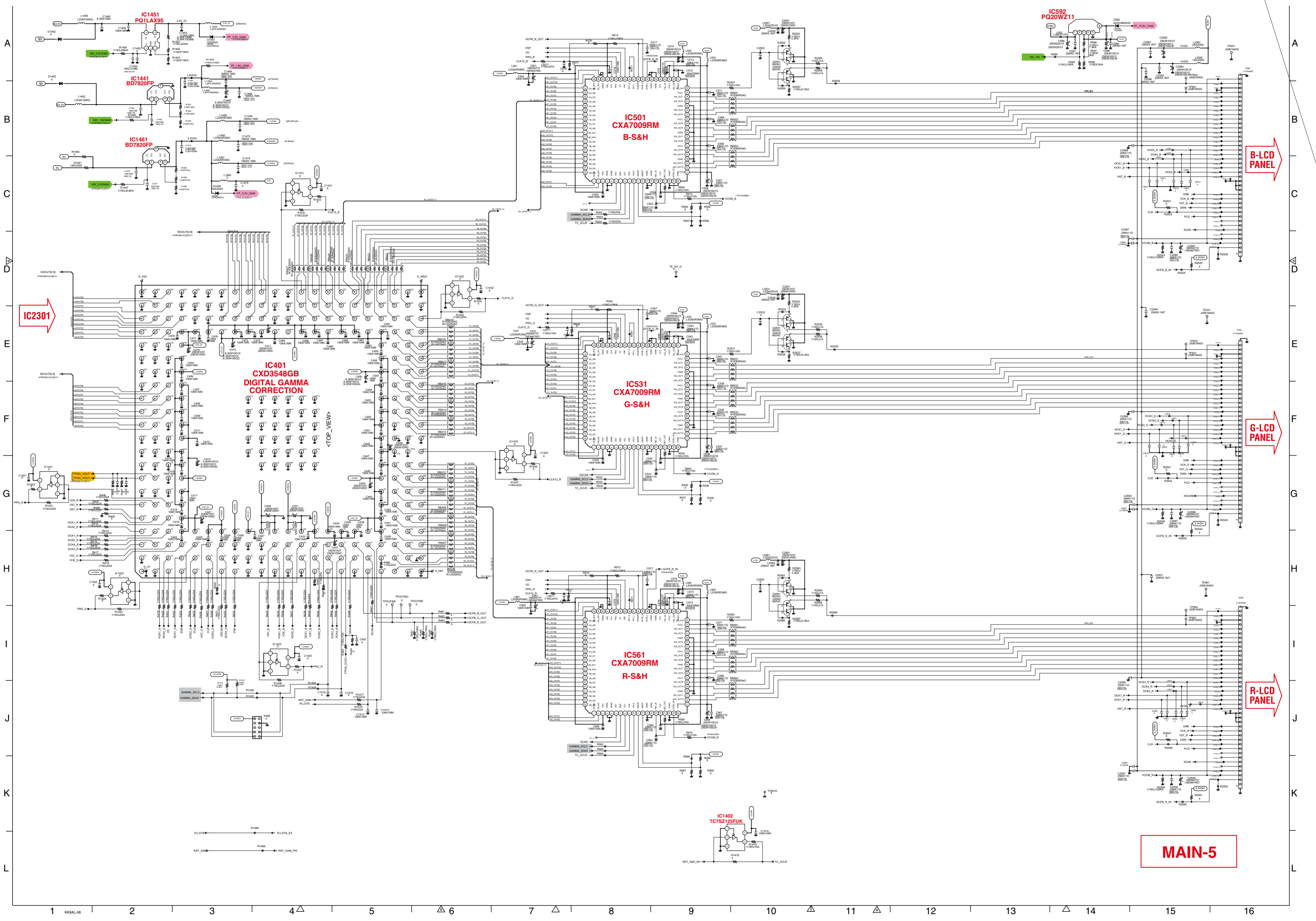
**IC5301
TC74LCX125FT**

**IC5950
MP2307DN**

MAIN-3



MAIN-4



MAIN-5

B-LCD PANEL

G-LCD PANEL

R-LCD PANEL

IC2301

IC401
CXD3548GB
DIGITAL GAMMA
CORRECTION

IC501
CXA7009RM
B-S&H

IC531
CXA7009RM
G-S&H

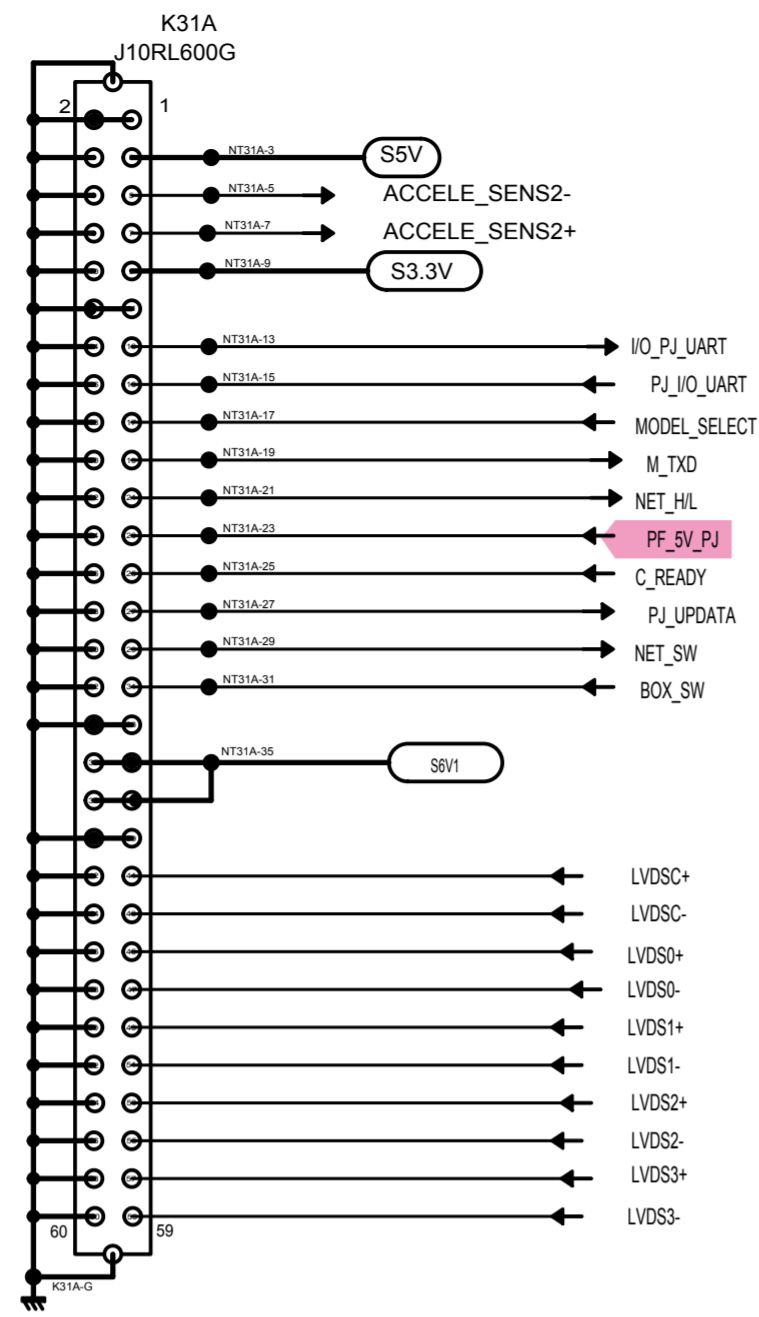
IC561
CXA7009RM
R-S&H

IC1402
TC7SZ125FUK

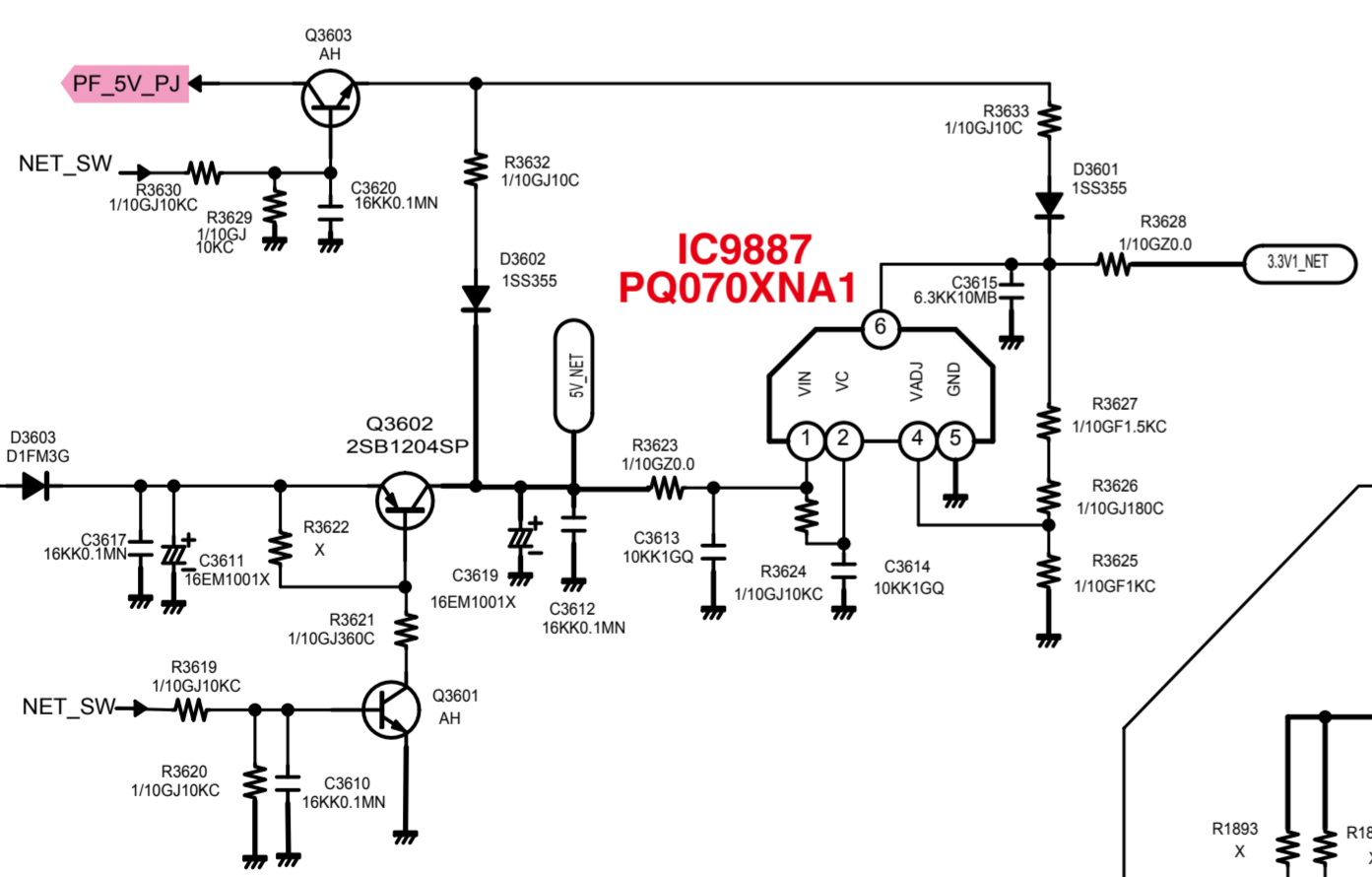
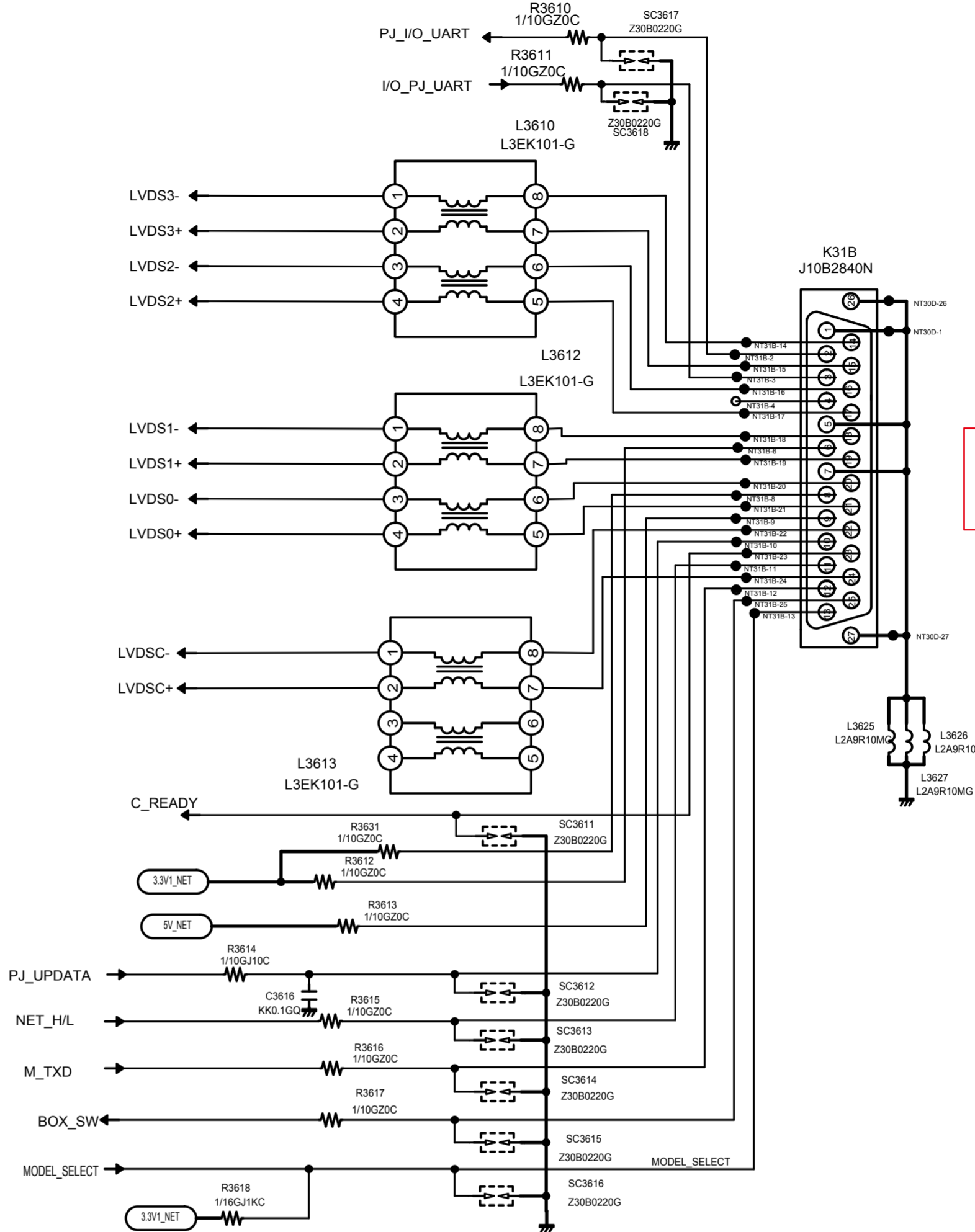
IC592
PQ20WZ11

FOR MAIN UNIT BOARD TO BOARD CONNECTOR

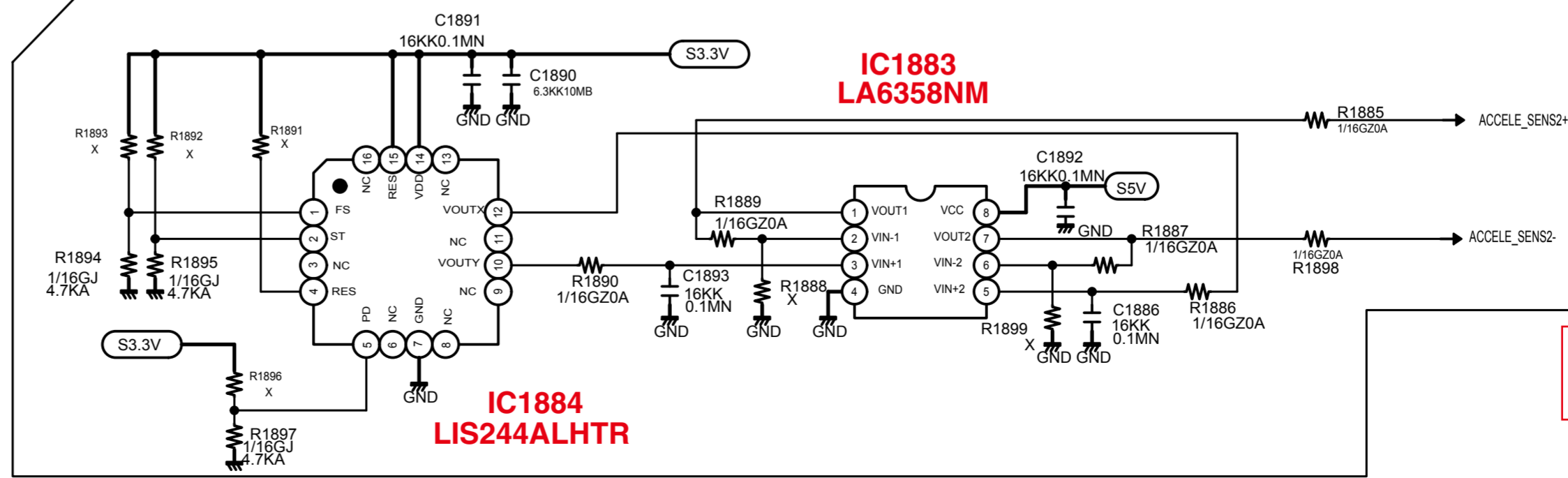
MAIN K8Z



NETWORK BOX



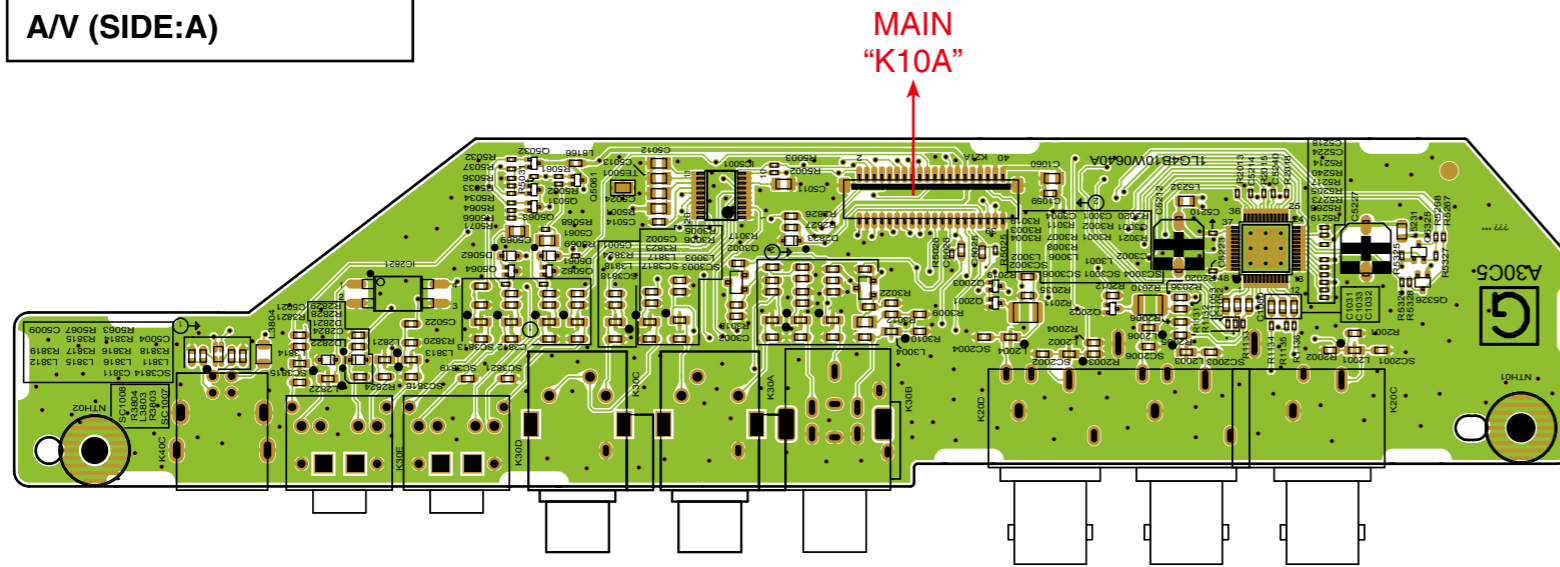
**ACCELERATION-SENSOR
-1 ~ 180°**



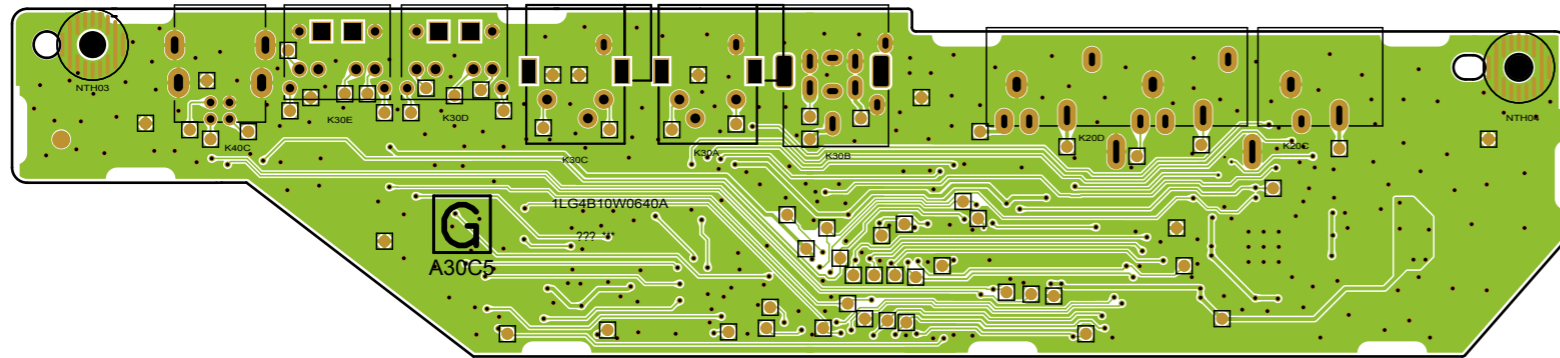
NET JOINT

Printed Wiring Board Diagrams

AV (SIDE:A)

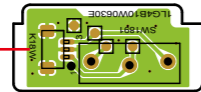


AV (SIDE:B)

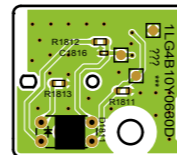


FILTER SW (SIDE:A)

MAIN "K8E"

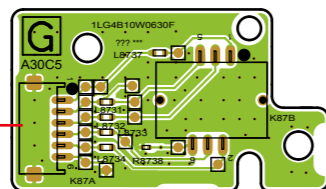


AMF SENSOR (SIDE:A)



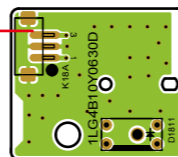
ID CONNECT (SIDE:A)

MAIN "K8I"



AMF SENSOR (SIDE:B)

MAIN "K8D"



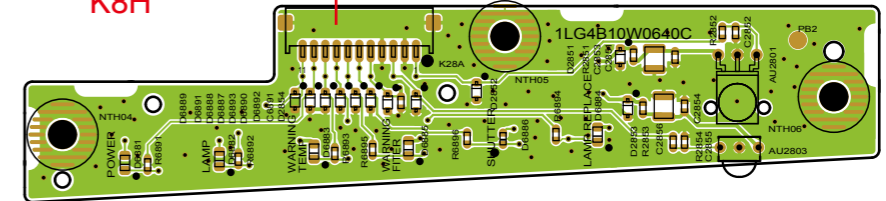
⚠ CAUTION

This projector is isolated from AC line by using the internal converter transformer. Please pay attention to the following notes in servicing

1. Do not touch the part on hot side (primary circuit) or both parts on hot and cold sides (secondary circuit) at the same time.
2. Do not shorten the circuit between hot and cold sides.
3. The grounding lead must be connected to the ground of the same circuit when measuring of voltages and waveforms.

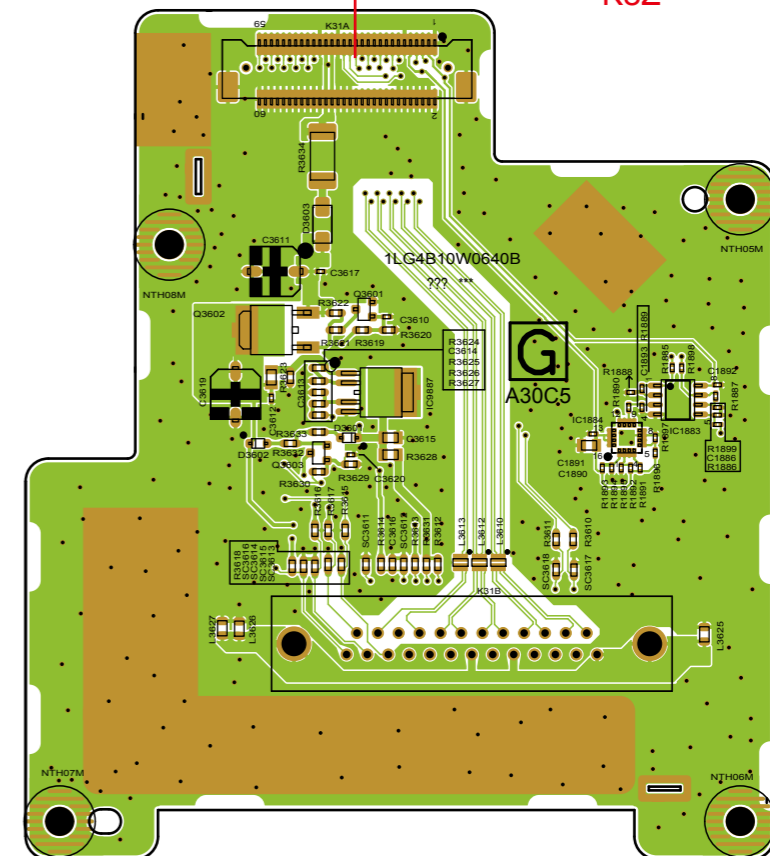
RC & LED (SIDE:A)

MAIN "K8H"

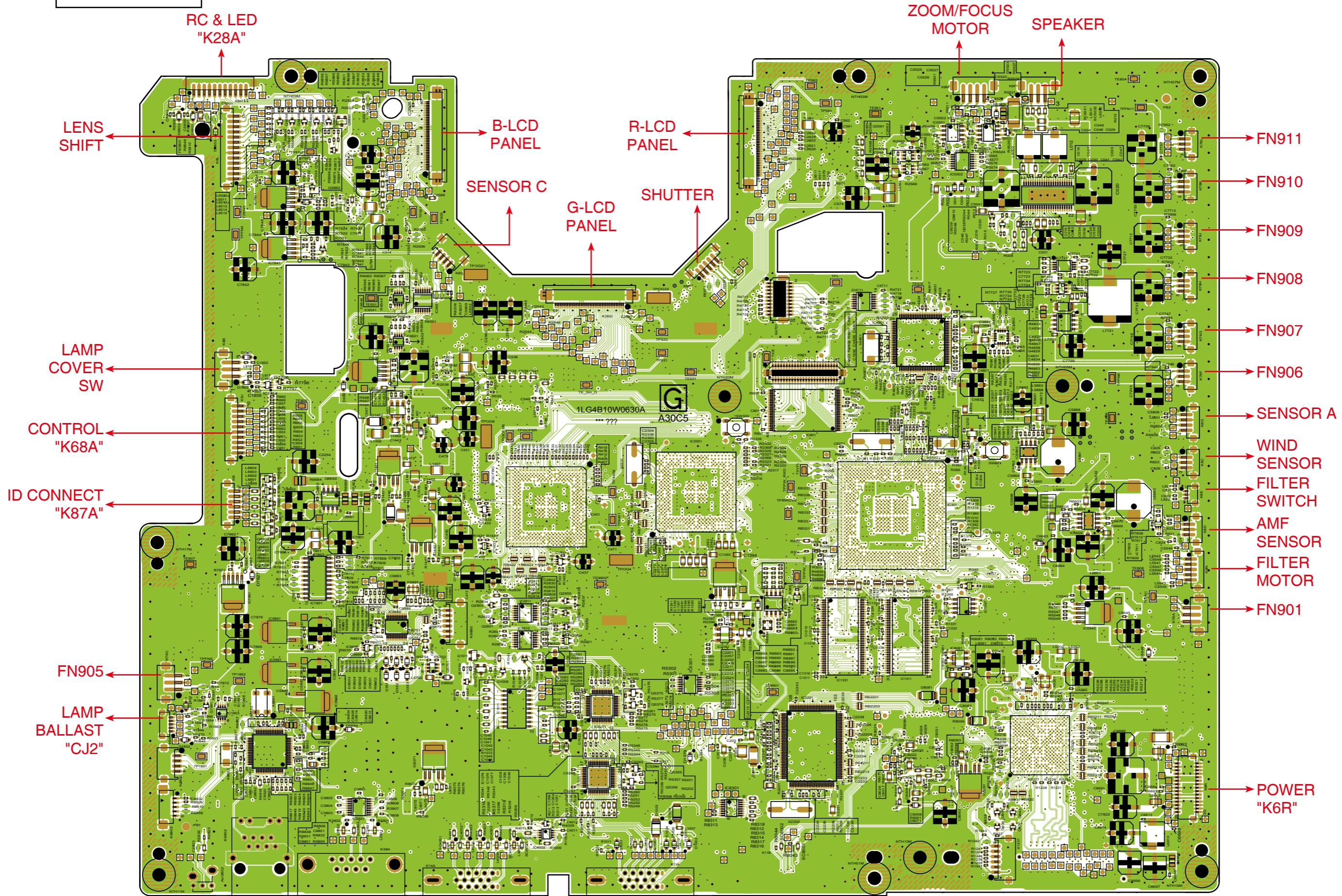


NET JOINT (SIDE:A)

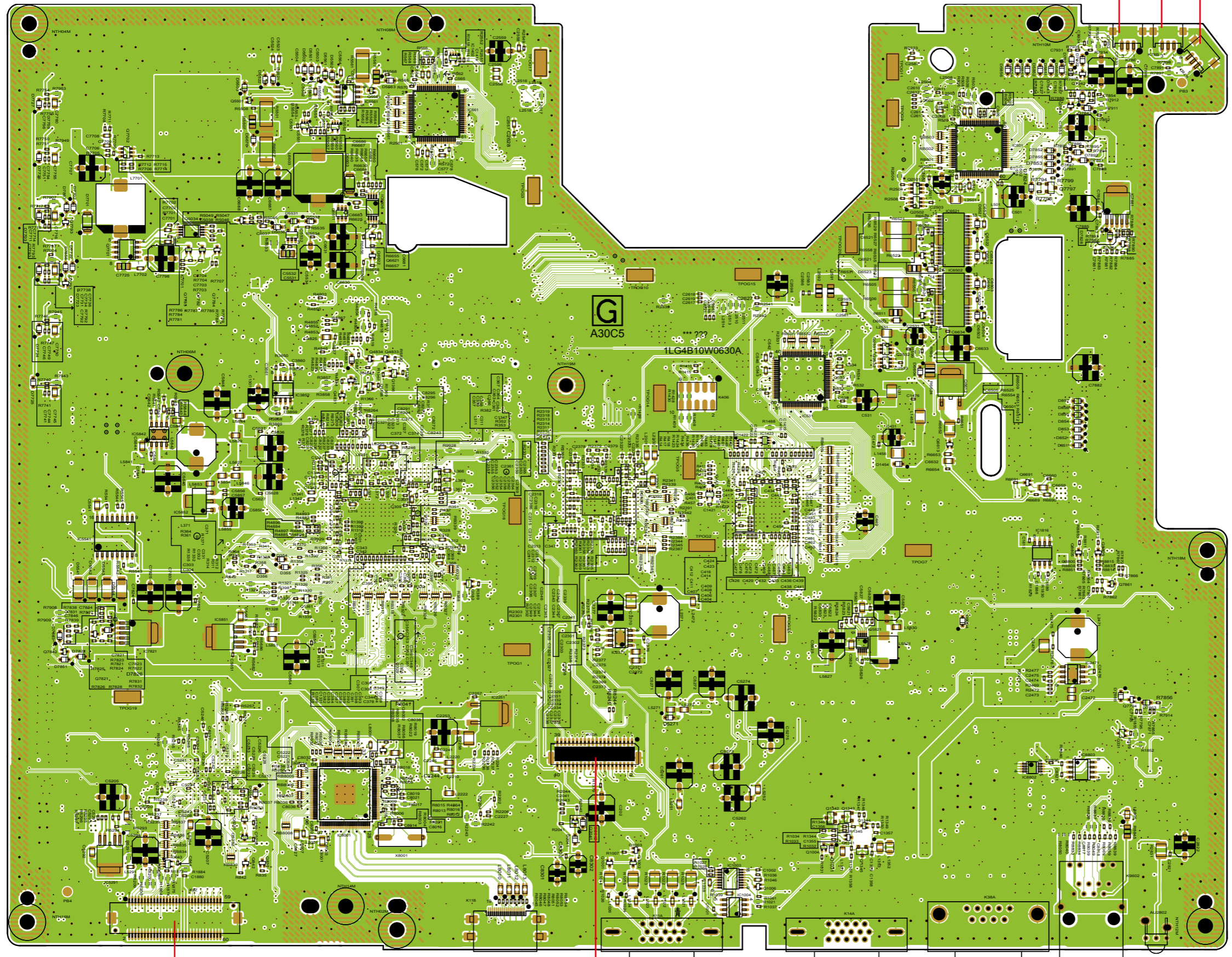
MAIN "K8Z"



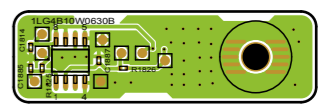
MAIN (SIDE:A)



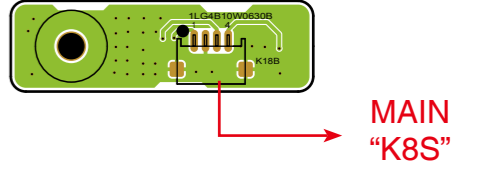
MAIN (SIDE:B)



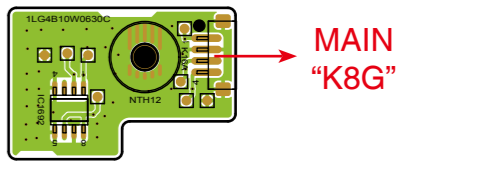
SENSOR C (SIDE:A)



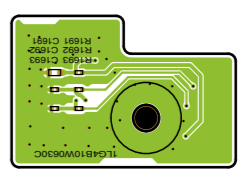
SENSOR C (SIDE:B)



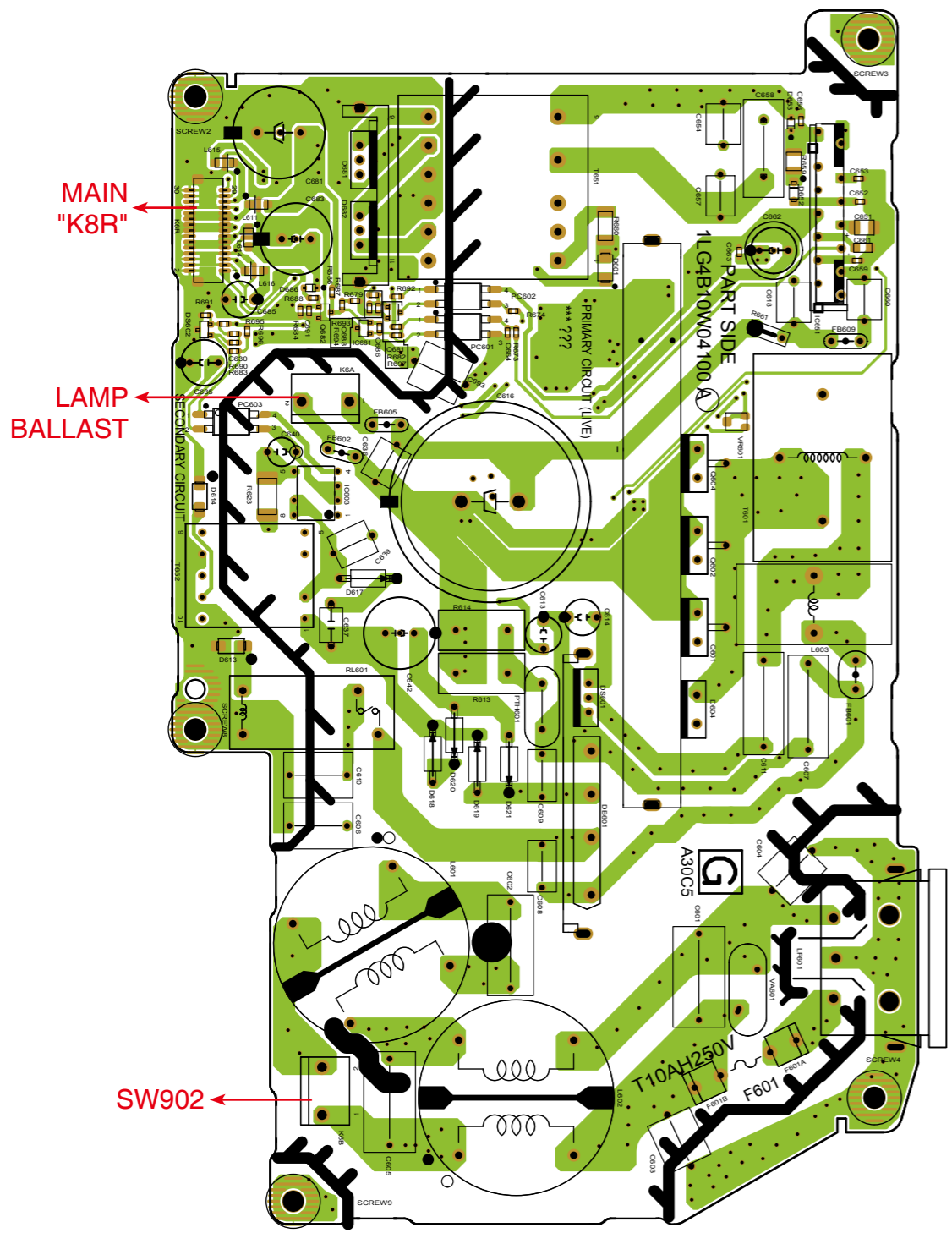
SENSOR A (SIDE:A)



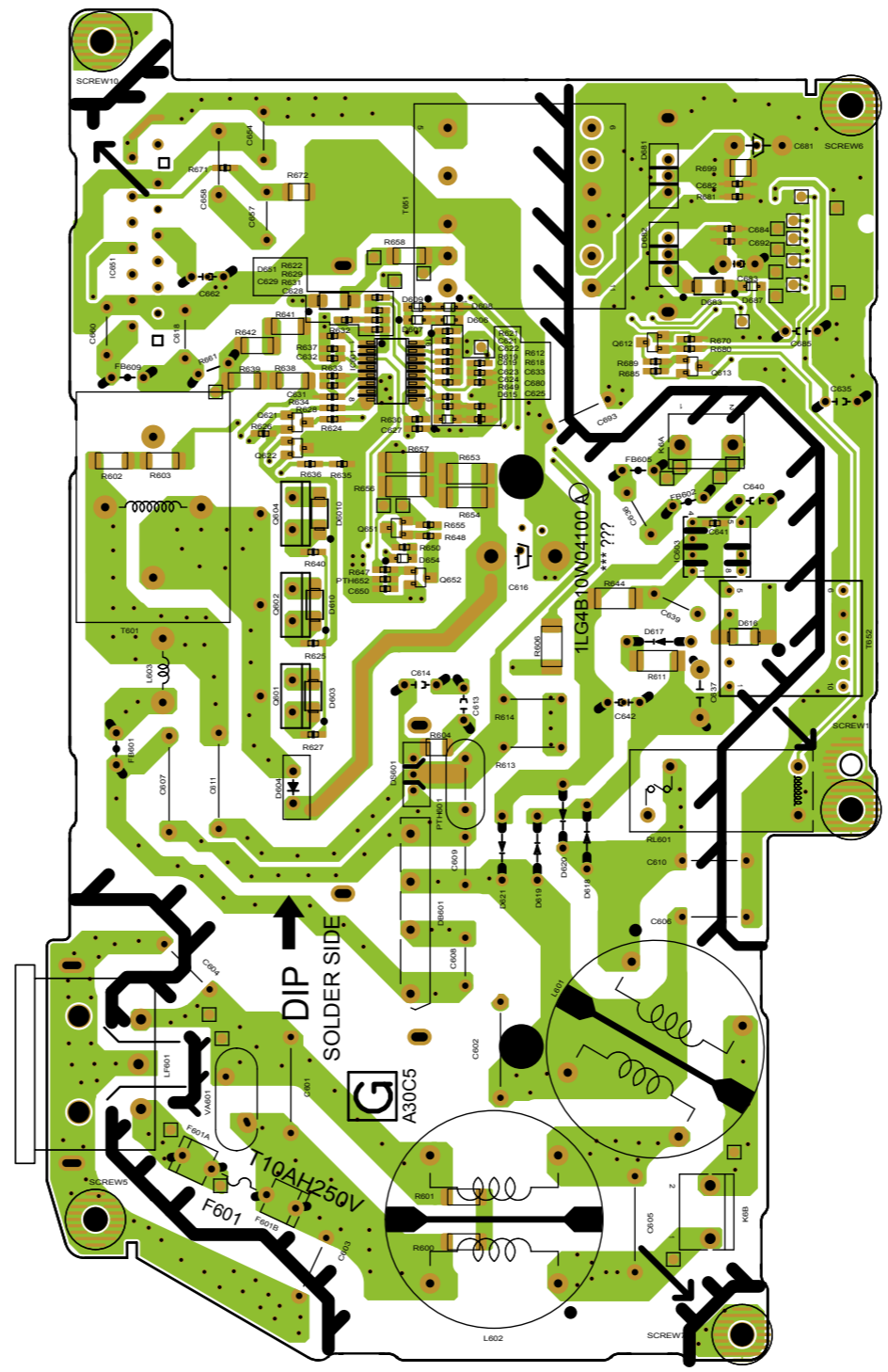
SENSOR A (SIDE:B)



POWER (SIDE:A)



POWER (SIDE:B)



CONTROL (SIDE:A)

