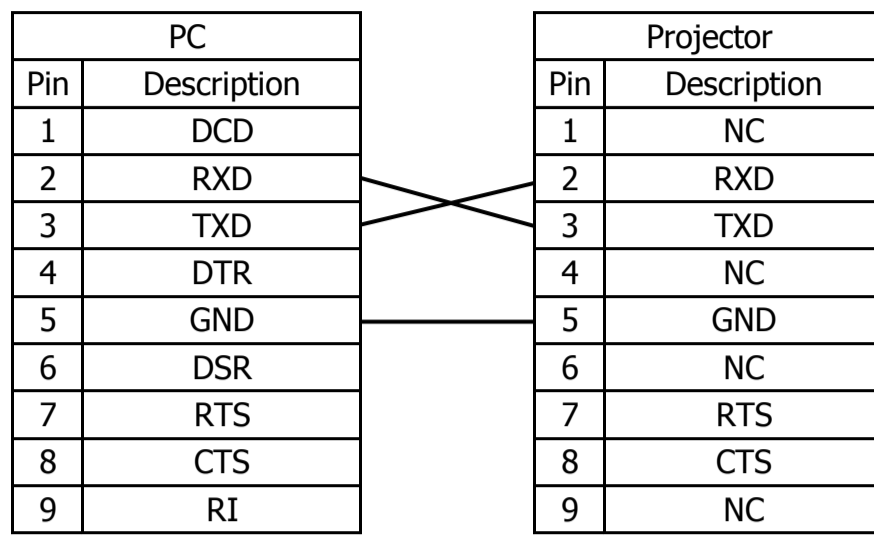


RS232C Command List for EK-800U

2016/12/15
Ver 1.02

Pin Alignment



RS232C Setting

Baud Rate:	19200 (Default)
Parity Check:	None
Data Bit:	8
Stop Bit:	1
Flow Control:	None

*Baud rate can be changed below value in OSD.
--> 9600, 14400, 19200, 38400, 57600, 115200

RS232C Command List for EK-800U

2016/12/15
Ver 1.02

Category	Item	Standard Format	Expand Format		Reply	Note	
		Commands	Commands	Parameter (%1=)			
1-1	CR_IMAGE				1 ~ 7	Check Display Mode setting (1:Presentation, 2:Video, 3:Bright, 4:DICOM SIM, 5:2D High Speed, 6:3D, 7:User)	
				1		Presentation	
				2		Video	
				3		Bright	
			CF_IMAGE_%1	4		DICOM SIM	
				5		2D High Speed	
				6		3D	
		CF_IMAGE_SAVE				Save Current Setting to "User"	
	1-2	CR_BRIGHT				0 ~ 100	Check Bright Value
		CF_BRIGHT_%1		0 ~ 100			Set Bright Value (0 ~ 100)
				UP			Increase setting value (+1) from current setting
	1-3	CR_CONT				0 ~ 100	Check Contrast Value
		CF_CONT_%1		0 ~ 100			Set Contrast Value (0 ~ 100)
				UP			Increase setting value (+1) from current setting
	1-4	CR_SHARP				0 ~ 4	Check Sharp Value
		CF_SHARP_%1		0 ~ 4			Set Sharp Value (0 ~ 4)
				UP			Increase setting value (+1) from current setting
	1-5	CR_COLOR				0 ~ 100	Check Color Value
		CF_COLOR_%1		0 ~ 100			Set Color Value (0 ~ 100)
				UP			Increase setting value (+1) from current setting
	1-6	CR_TINT				0 ~ 100	Check Tint Value
CF_TINT_%1			0 ~ 100			Set Tint Value (0 ~ 100)	
			UP			Increase setting value (+1) from current setting	
1-7	CR_PHASE				0 ~ 100	Check Phase Value	
	CF_PHASE_%1		0 ~ 100			Set Phase Value (0 ~ 100)	
			UP			Increase setting value (+1) from current setting	
1-8	CR_FREQ				0 ~ 100	Check Frequency Value	
	CF_FREQ_%1		0 ~ 100			Set Frequency Value (0 ~ 100)	
			UP			Increase setting value (+1) from current setting	
1-9	CR_HPOS				0 ~ 100	Check Horizontal Position Value	
	CF_HPOS_%1		0 ~ 100			Set Horizontal Position Value (0 ~ 100)	
			UP			Increase setting value (+1) from current setting	
1-10	CR_VPOS				0 ~ 100	Check Vertical Position Value	
	CF_VPOS_%1		0 ~ 100			Set Vertical Position Value (0 ~ 100)	
			UP			Increase setting value (+1) from current setting	
1-11	C89					Execute Auto Image	
1-12-1	CR_3D-Mode				0 ~ 5	Check 3D Mode setting	
	CF_3D-MODE_%1		0			Off	
			1			Auto	
			2			Frame Packing	
			3			Side by Side	
			4			Top and Bottom	
1-12-2	CR_3D-INVERT				0 ~ 1	Check 3D-Invert setting	
	CF_3D-INVERT_%1		0			Off	
1-12-3	CR_DLPLINK					Check DLP-LINK setting	
	CF_DLPLINK_%1		0			Off	
1-13-1	CR_COLORMATCHING				0 ~ 1	Check Color Matching setting	
	CF_COLORMATCHING_%1		0			Off	
1-13-2	CR_CMAUTOTESTPAT				0 ~ 1	Check Auto Test Pattern setting	
	CF_CMAUTOTESTPAT_%1		0			Off	
1-13-3	CR_CM_RR				0000 ~ 1000	Check Red Part of Red Value	
	CF_CM_RR_%1		0000 ~ 1000			Set Red Part of Red Value (0 ~ 1000)	
			UP			Increase setting value (+1) from current setting	
1-13-4	CR_CM_RG				0000 ~ 1000	Check Green Part of Red Value	
	CF_CM_RG_%1		0000 ~ 1000			Set Green Part of Red Value (0 ~ 1000)	
			UP			Increase setting value (+1) from current setting	
1-13-5	CR_CM_RB				0000 ~ 1000	Check Blue Part of Red Value	
	CF_CM_RB_%1		0000 ~ 1000			Set Blue Part of Red Value (0 ~ 1000)	
			UP			Increase setting value (+1) from current setting	
1-13-6	CR_CM_GG				0000 ~ 1000	Check Green Part of Green Value	
	CF_CM_GG_%1		0000 ~ 1000			Set Green Part of Green Value (0 ~ 1000)	
			UP			Increase setting value (+1) from current setting	
1-13-7	CR_CM_GR				0000 ~ 1000	Check Red Part of Green Value	
	CF_CM_GR_%1		0000 ~ 1000			Set Red Part of Green Value (0 ~ 1000)	
			UP			Increase setting value (+1) from current setting	
1-13-8	CR_CM_GB				0000 ~ 1000	Check Blue Part of Green Value	
	CF_CM_GB_%1		0000 ~ 1000			Set Blue Part of Green Value (0 ~ 1000)	
			UP			Increase setting value (+1) from current setting	

PICTURE	1-13-9	CR_CM_BB		0000 ~ 1000	Check Blue Part of Blue Value	
		CF_CM_BB_%1	0000 ~ 1000		Set Blue Part of Blue Value (0 ~ 1000)	
			UP		Increase setting value (+1) from current setting	
			DN			Decrease setting value (-1) from current setting
	1-13-10	CR_CM_BR		0000 ~ 1000	Check Red Part of Blue Value	
		CF_CM_BR_%1	0000 ~ 1000		Set Red Part of Blue Value (0 ~ 1000)	
			UP		Increase setting value (+1) from current setting	
			DN		Decrease setting value (-1) from current setting	
	1-13-11	CR_CM_BG		0000 ~ 1000	Check Green Part of Blue Value	
		CF_CM_BG_%1	0000 ~ 1000		Set Green Part of Blue Value (0 ~ 1000)	
			UP		Increase setting value (+1) from current setting	
			DN		Decrease setting value (-1) from current setting	
	1-13-12	CR_CM_WR		0000 ~ 1000	Check Red Part of White Value	
		CF_CM_WR_%1	0000 ~ 1000		Set Red Part of White Value (0 ~ 1000)	
			UP		Increase setting value (+1) from current setting	
			DN		Decrease setting value (-1) from current setting	
	1-13-13	CR_CM_WG		0000 ~ 1000	Check Green Part of White Value	
		CF_CM_WG_%1	0000 ~ 1000		Set Green Part of White Value (0 ~ 1000)	
			UP		Increase setting value (+1) from current setting	
			DN		Decrease setting value (-1) from current setting	
	1-13-14	CR_CM_WB		0000 ~ 1000	Check Blue Part of White Value	
		CF_CM_WB_%1	0000 ~ 1000		Set Blue Part of White Value (0 ~ 1000)	
			UP		Increase setting value (+1) from current setting	
			DN		Decrease setting value (-1) from current setting	
	1-13-19	CF_CMFDEFAULT_RST			Reset the value of Color Matching	
	1-14-1	CR_BCOLOR		1 ~ 2	Check Brilliant Color setting	
		CF_BCOLOR_%1	1		Normal Lock	
			2		Bright Lock	
	1-14-2	CR_WPEAK		0 ~ 100	Check White Peaking Value	
		CF_WPEAK_%1	0 ~ 100		Set White Peaking Value (Step value size is "10")	
			UP		Increase setting value (+10) from current setting	
			DN		Decrease setting value (-10) from current setting	
	1-14-3	CR_GAMMA		1 ~ 5	Check Gamma setting	
		CF_GAMMA_%1	1		Video	
			2		Film	
			3		Bright	
			4		CRT	
	5			DICOM		
	1-14-4	CR_COLTEMP		1 ~ 4	Check Brilliant Color setting	
		CF_COLTEMP_%1	1		Warmest	
			2		Warm	
			3		Cool	
	4			Bright		
	1-14-5	CR_COLORSPACE		1 ~ 5	Check Brilliant Color setting	
		CF_COLORSPACE_%1	1		Auto	
			2		RGB	
			3		REC709	
			4		REC601	
	5			RGB Video		
	1-14-6-1	CR_GAIN_R		0 ~ 100	Check Red Gain Value	
		CF_GAIN_R_%1	000 ~ 100		Set Red Gain Value (0 ~ 100)	
			UP		Increase setting value (+1) from current setting	
			DN		Decrease setting value (-1) from current setting	
	1-14-6-2	CR_GAIN_G		0 ~ 100	Check Green Gain Value	
		CF_GAIN_G_%1	000 ~ 100		Set Green Gain Value (0 ~ 100)	
			UP		Increase setting value (+1) from current setting	
			DN		Decrease setting value (-1) from current setting	
	1-14-6-3	CR_GAIN_B		0 ~ 100	Check Blue Gain Value	
		CF_GAIN_B_%1	000 ~ 100		Set Blue Gain Value (0 ~ 100)	
			UP		Increase setting value (+1) from current setting	
			DN		Decrease setting value (-1) from current setting	
	1-14-6-4	CR_OFFSET_R		0 ~ 100	Check Red Offset Value	
		CF_OFFSET_R_%1	000 ~ 100		Set Red Gain Value (0 ~ 100)	
			UP		Increase setting value (+1) from current setting	
			DN		Decrease setting value (-1) from current setting	
	1-14-6-5	CR_OFFSET_G		0 ~ 100	Check Green Offset Value	
		CF_OFFSET_G_%1	000 ~ 100		Set Green Gain Value (0 ~ 100)	
			UP		Increase setting value (+1) from current setting	
			DN		Decrease setting value (-1) from current setting	
	1-14-6-6	CR_OFFSET_B		0 ~ 100	Check Blue Offset Value	
		CF_OFFSET_B_%1	000 ~ 100		Set Blue Gain Value (0 ~ 100)	
			UP		Increase setting value (+1) from current setting	
			DN		Decrease setting value (-1) from current setting	
	1-14-7	CF_GO_RST			Reset the value of Gain/Offset	
	1-14-8	CR_CENHANCE		0 ~ 2	Check Color Enhance setting	
		CF_CENHANCE_%1	0 ~ 2		Set Color Enhance Value (0 ~ 2)	
			UP		Increase setting value (+1) from current setting	
			DN		Decrease setting value (-1) from current setting	
	1-14-9	CR_CWSPEED		1 ~ 2	Check Color Wheel Speed setting	
		CF_CWSPEED_%1	1		2X	
			2		3X	
	1-14-10	CR_DYNAMICBLACK		0 ~ 1	Check Dynamic Black setting	
		CF_DYNAMICBLACK_%1	0		Off	
			1		On	
	1-14-11	CR_NZRED		0 ~ 100	Check Noise Reduction Value	
		CF_NZRED_%1	0 ~ 100		Set Noise Reduction Value (0 ~ 100)	
			UP		Increase setting value (+1) from current setting	
			DN		Decrease setting value (-1) from current setting	
	1-14-12	CR_FTCORRECTION		0 ~ 100	Check Flesh Tone Correction Value	
		CF_FTCORRECTION_%1	0 ~ 100		Set Flesh Tone Correction Value (0 ~ 100)	
			UP		Increase setting value (+1) from current setting	
			DN		Decrease setting value (-1) from current setting	
	1-14-13	CR_VBLEVEL		0 ~ 1	Check Video Black Level setting	
		CF_VBLEVEL_%1	0		Off	
			1		On	
	1-14-14	CR_FMODE		0 ~ 1	Check Film mode setting	
		CF_FMODE_%1	0		Off	
			1		On	

OUTPUT	2-1		CR_ASPECT		1 ~ 5	CheckAspect Ratio setting
		C0F		1		Auto
				2		4:3
			CF_ASPECT_%1	3		16:10
				4		Native
	2-2			5		3D Mode
			CR_OVERSCAN		1 ~ 2	Check Overscan setting
				0		Off
	2-3		CF_OVERSCAN_%1		2	Zoom
				1		Crop
			CR_DZOOM_H		50 ~ 400	Check H Digital Zoom value
	2-4			50 ~ 400		Set H Digital Zoom Value (50 ~ 400)
			CF_DZOOM_H_%1		UP	Increase setting value (+1) from current setting
				DN		Decrease setting value (-1) from current setting
	2-5		CR_DZOOM_V		50 ~ 400	Check V Digital Zoom value
				50 ~ 400		Set V Digital Zoom Value (50 ~ 400)
			CF_DZOOM_V_%1		UP	Increase setting value (+1) from current setting
	2-6			DN		Decrease setting value (-1) from current setting
			CR_DSHIFT_H		0 ~ 100	Check H Digital Shift value
				0 ~ 100		Set H Digital Shift Value (0 ~ 100)
	2-7-1		CF_DSHIFT_H_%1		UP	Increase setting value (+1) from current setting
				DN		Decrease setting value (-1) from current setting
			CR_DSHIFT_V		0 ~ 100	Check V Digital Shift value
	2-7-2			0 ~ 100		Set V Digital Shift Value (0 ~ 100)
			CF_DSHIFT_V_%1		UP	Increase setting value (+1) from current setting
				DN		Decrease setting value (-1) from current setting
	2-7-3		CR_PCMODE		0 ~ 1	Check PC Mode setting
				0		Off
	2-7-4		CF_PCMODE_%1		1	On
			CR_KYSTN_H			Check H Keystone value
				0 ~ 40		Set H Keystone Value (0 ~ 40)
	2-7-5		CF_KYSTN_H_%1		UP	Increase setting value (+1) from current setting
		C90		DN		Decrease setting value (-1) from current setting
		C91				Check V Keystone value
	2-7-6		CR_KYSTN_V			Set V Keystone Value (0 ~ 40)
				0 ~ 40		Set V Keystone Value (0 ~ 40)
			CF_KYSTN_V_%1		UP	Increase setting value (+1) from current setting
	2-7-7			DN		Decrease setting value (-1) from current setting
			CR_WARP_PB_H			Check H Pincushion value
				0 ~ 100		Set H Pincushion Value (0 ~ 100)
	2-7-8		CF_WARP_PB_H_%1		UP	Increase setting value (+1) from current setting
				DN		Decrease setting value (-1) from current setting
			CR_WARP_PB_V			Check V Pincushion value
	2-7-9			0 ~ 100		Set V Pincushion Value (0 ~ 100)
			CF_WARP_PB_V_%1		UP	Increase setting value (+1) from current setting
				DN		Decrease setting value (-1) from current setting
	2-8-1		CR_PIPMODE			CheckPIP/PBP Enable setting
				0		Off
	2-8-2		CF_PIPMODE_%1		1	On
			CR_PIPMAININP		1 ~ 8	Check Main Source setting
CR1			1		VGA	
C05			2		BNC	
C54			3		HDMI	
C36			4		DVI-D	
C52			5		3G-SDI	
C55			6		HDBaseT	
C38			7		CVBS	
C07		8		Network Display		
2-8-3		CF_PIPMAININP_%1			Check Sub Source setting	
		CR_PIPSUBINP		1 ~ 8	Check Sub Source setting	
			1		VGA	
			2		BNC	
			3		HDMI	
			4		DVI-D	
			5		3G-SDI	
			6		HDBaseT	
			7		CVBS	
		8		Network Display		
2-8-4		CF_PIPSWAP			Execute PIP/PBP Swap	
2-8-5		CR_PIPSIZE SUB		1 ~ 3	Check PIP Size setting	
			1		Small	
		CF_PIPSIZE SUB_%1		2	Medium	
2-8-6			3		Large	
		CR_PIPPOSITION		1 ~ 8	Check Layout setting	
			1		PBP, Main Left	
			2		PBP, Main Top	
			3		PBP, Main Right	
			4		PBP, Main Bottom	
			5		PIP-Bottom Right	
			6		PIP-Bottom Left	
			7		PIP-Top Left	
		8		PIP-Top Right		
3-1		CF_PIPPOSITION_%1			Check Language setting	
		CR_LANG		ENG, FRA,	Check Language setting	
			ENG		English	
			FRA		French	
			ESP		Spanish	
			DEU		German	
			ITA		Italian	
			RUS		Russian	
			SCH		Chinese Simplified	
			TCH		Chinese Traditional	
			JPN		Japanese	
			KOR		Korean	
			POR		Portuguese	
			INA		Indonesian	
			NED		Dutch	
3-2		CR_CEIL		0 ~ 2	Check Ceiling setting	
			0		Off	
		CF_CEIL_%1		1	On	
			2		Auto	

SETUP	3-3	CR_REAR		0 ~ 1	Check Rear setting
		CF_REAR_%1	0		Off
			1		On
	3-4-1	C4B			Focus in - motor go step
		C4D			Focus in - motor run
		C4A			Focus out - motor go step
		C4C			Focus out - motor run
	3-4-2	C46			Zoom in - motor go step
		C48			Zoom in - motor run
		C47			Zoom out - motor go step
		C49			Zoom out - motor run
	3-4-3	C5D			Left shift up - motor go step
		C63			Left shift up - motor run
		C5E			Left shift down - motor go step
		C64			Left shift down - motor run
		C60			Left shift right - motor go step
		C66			Left shift right - motor run
		C5F			Left shift left - motor go step
		C65			Left shift left - motor run
	3-4-4	C61			Yes/No (Dialog box)
	3-4-5	CR_LENSLOCK		0 ~ 1	Check Lens Lock setting
		CF_LENSLOCK_%1	0		No
			1		Yes
	3-5	CR_MENUTRANS		0 ~ 9	Check Menu Transparency setting
		CF_MENUTRANS_%1	0 ~ 9		Set Menu Transparency value (0 ~ 9)
	3-6	CR_DISP		0 ~ 1	Check Show Messages setting
		CF_DISP_%1	0		Off
			1		On
	3-7	CR_KEYLIGHT		0 ~ 1	CheckKey Light setting
		CF_KEYLIGHT_%1	0		Off
			1		On
	3-8-1	CF_PJPINCODE_%1	00000 ~ 99999		Execute PIN Protect with code. (PIN Protect function is toggled.)
	3-8-2	CF_PJPINCODECHANGE_%1_%2	%1= Old PIN %2= New PIN (00000 ~ 99999)		Change PIN CODE setting (%1 = Current PIN Code, %2 = New PIN Code)
	3-9	CR_CCAPTIONDISP		0 ~ 2	Check Closed Caption setting
		CF_CCAPTIONDISP_%1	0		Off
			1		CC1
			2		CC2
	3-10-1-1	CR_DHCP		0 ~ 1	Check LAN DHCP setting
		CF_DHCP_%1	0		OFF
			1		ON
	3-10-1-2	CR_IPADDRESS		xxx.xxx.xxx.xxx	Check LAN IP Address setting
		CF_IPADDRESS_%1	xxx.xxx.xxx.xxx		Set LAN IP Address
	3-10-1-3	CR_SUBNET		xxx.xxx.xxx.xxx	Check LAN Subnet setting
		CF_SUBNET_%1	xxx.xxx.xxx.xxx		Set LAN Subnet setting
	3-10-1-4	CR_GATEWAY		xxx.xxx.xxx.xxx	Check LAN Gateway setting
		CF_GATEWAY_%1	xxx.xxx.xxx.xxx		Set LAN Gateway setting
	3-10-1-5	CR_MACADDRESS		xx-xx-xx-xx-xx-xx	Check LAN MAC Address setting
	3-10-1-6	CF_LANSETAPPLY			Save LAN setting
	3-10-2-1	CR_WLAN		0 ~ 1	Check WLAN Enable setting
		CF_WLAN_%1			OFF
					ON
	3-10-2-2	CR_WLAN_STARTIP		xxx.xxx.xxx.xxx	Check WLAN Start IP Address setting
		CF_WLAN_STARTIP_%1	xxx.xxx.xxx.xxx		Set WLAN Start IP Address
	3-10-2-3	CR_WLAN_ENDIP		xxx.xxx.xxx.xxx	Check WLAN End IP Address setting
		CF_WLAN_ENDIP_%1	xxx.xxx.xxx.xxx		Set WLAN End IP Address
	3-10-2-4	CR_WLAN_SUBNET		xxx.xxx.xxx.xxx	Check WLAN Subnet setting
		CF_WLAN_SUBNET_%1	xxx.xxx.xxx.xxx		Set WLAN Subnet setting
	3-10-2-5	CR_WLAN_GATEWAY		xxx.xxx.xxx.xxx	Check WLAN Gateway setting
		CF_WLAN_GATEWAY_%1	xxx.xxx.xxx.xxx		Set WLAN Gateway setting
	3-10-2-6	CR_WLAN_MACADDRESS		xx-xx-xx-xx-xx-xx	Check WLAN MAC Address setting
3-10-2-7	CR_WLAN_SSID			Check WLAN SSID setting	
3-10-3-1	CR_NET_PJNAME			Check Network PJ Name setting	
3-10-3-2	CF_NET_RESET			Restart Network	
3-10-3-3	CF_NET_FACTORY_RESET			Factory Reset Network setting	
3-10-4	CR_BAUDRATE		1 ~ 6	Check Serial Port Baud Rate setting	
	CF_BAUDRATE_%1	1		9600	
		2		14400	
		3		19200	
		4		38400	
		5		57600	
		6		115200	
3-10-5	CR_SERIALECHO		0 ~ 1	Check Serial Port Echo setting	
	CF_SERIALECHO_%1	0		Off	
		1		On	
3-10-6	CR_SERIALPATH		1 ~ 2	Check Serial Port Path setting	
	CF_SERIALPATH_%1	1		RS232	
		2		HDBaseT	
3-10-7	CR_PJIRADDRESS		0 ~ 9	Check Projector Address setting	
	CF_PJIRADDRESS_%1	0 ~ 9		Set Projector Address	
4-1	CR_AUTOSRC		0 ~ 1	Check Auto Source setting	
	CF_AUTOSRC_%1	0		Off	
		1		On	
4-2	CR_ALTITUDE		0 ~ 1	Check High Altitude setting	
	CF_ALTITUDE_%1	0		Off	
		1		On	
4-3	CR_TESTPAT		0 ~ 9	Check Test Pattern setting	
	CF_TESTPAT_%1	0		Off	
		1		Grid	
		2		Red	
		3		Green	
		4		Blue	
		5		Yellow	
		6		Magenta	
		7		Cyan	
		8		White	
		9		Black	

OPTION	4-4		CR_BACKGND		1 ~ 4	Check Background color setting	
				1		Logo	
			CF_BACKGND_%1	2		Blue	
				3		Black	
				4		White	
	4-5			CR_HOTKEY		1 ~ 5	Check Hot-Key setting
					1		Blank Screen
			CF_HOTKEY_%1	2			Aspect Ratio
				3			Freeze Screen
				4			Overscan
				5		Closed Captions	
	4-6-1			CR_ECONETWORK		0 ~ 1	Check Stand-by Network setting
			CF_ECONETWORK_%1	1		0	0.5W mode
				0			Communication mode
	4-6-2			CR_AUTOPOWERON		0 ~ 1	Check Direct Power On setting
		C29		CF_AUTOPOWERON	0		Off
		C28		1			On
	4-6-3			CR_AUTOPOWEROFF		0 ~ 6	Check Auto Power Off setting
					0		No
					1		5 Mins
					2		10 Mins
				CF_AUTOPOWEROFF_%1	3		15 Mins
					4		20 Mins
				5		25 Mins	
			6		30 Mins		
4-6-4			CR_SLEEP		0 ~ 3	Check Sleep Timer setting	
				0		No	
		CF_SLEEP_%1	1			2 Hours	
			2			4 Hours	
			3			6 Hours	
4-7-1			CR_AUTOLAMPCONTROL		1 ~ 3	Check Auto Lamp Control setting	
				2		Constant Power	
		CF_AUTOLAMPCONTROL_%1	3			Constant Luminance	
			1			Eco Mode	
4-7-2			CR_LAMPPOWER		0 ~ 10	Check Lamp Power setting	
		CF_LAMPPOWER_%1	0 ~ 10			Set Lamp Power value	
4-7-3			CR_LAMPLUMINANCE		0 ~ 10	Check Lamp Luminance setting	
		CF_LAMPLUMINANCE_%1	0 ~ 10			Set Lamp Luminance value	
4-7-4			CR_LAMPMODE		1 ~ 3	Check Lamp Mode setting	
				1		Lamp 1	
		CF_LAMPMODE_%1	2			Lamp 2	
			3			Both	
4-7-5			CR_LAMPSWITCH		1 ~ 3	Check Lamp Switch setting	
				1		On Failure Only	
		CF_LAMPSWITCH_%1	2			At Power-Up	
			3			After X Hours	
4-7-6			CR_LAMPSWITCHTIME		5 ~ 3000	Check Lamp Switch Time setting	
		CF_LAMPSWITCHTIME_%1	5 ~ 3000			Set Lamp Switch Time value	
4-7-7-1	CR3			%1 %2 (%1 = Lamp 1 hour %2 = Lamp 2 hour)		i.e. Lamp1 is 500 hours, Lamp 2 is 15 hours, reply is "500 15"	
4-7-7-2			CR_PJTIME			Check the projector usage time	
4-7-8-1			CF_LAMP1HOUR_RESET			Reset the usage hour of Lamp 1	
4-7-8-2			CF_LAMP2HOUR_RESET			Reset the usage hour of Lamp 2	
4-7-8-3			CF_LAMPALL_RESET			Reset the usage hour of Lamps (1 and 2)	
4-8-1			CF_LIGHTSENSCALI			Execute the Light Sensor Calibration	
4-8-2			CR_LIGHTSENSCALI		0 ~ 1	Check status of the Light Sensor Calibration	
						0 = No 1 = Yes	
4-9-1			CR_MODELNAME			Check the Model Name	
4-9-2			CR_SERIALNO			Check the Serial Number	
4-9-3			CR_NRESOLUTION			Check the Native Resolution	
4-9-4			CR_SWVER			Check the Software Version	
4-9-5	CR1					Check the Input Source	
4-9-6			CR_RESOLUTION			Check the Resolution of Input Signal	
4-9-7			CR_SYSTEM			Check the Signal Format	
4-9-8			CR_PIXELCLK			Check the Pixel Clock	
4-9-10			CR_REFRESH		%1 %2 (%1 = H freq. %2 = V freq.)	Check the Vertical and Horizontal Refresh Rate	
4-9-11			CR_PIPSUBINP			Check the Input source (Sub)	
4-9-12			CR_SUB_RESOLUTION			Check the Resolution of Input Signal (Sub)	
4-9-13			CR_SUB_SYSTEM			Check the Signal Format (Sub)	
4-9-14			CR_SUB_PIXELCLK			Check the Pixel Clock (Sub)	
4-9-15			CR_SUB_REFRESH		%1 %2 (%1 = H freq. %2 = V freq.)	Check the Vertical and Horizontal Refresh Rate (Sub)	
4-9-16			CR_AUTOLAMPCONTROL			Check status of the Light Source Mode	
4-9-17			CR_LAMPMODE			Check status of the Current Light Source	
4-9-18	CR3				%1 %2 (%1 = Lamp 1 hour %2 = Lamp 2 hour)	Check the Usage Hour of Lamps (1 and 2)	
4-9-19			CR_ECONETWORK			Check status of the Standby Power Mode	
4-9-20			CR_IPADDRESS			Check status of the IP Address	
4-9-21			CR_DHCP			Check status of the DHCP	
4-9-22			CR_TEMP			Check temperature of the Intake	
4-9-23			CF_FACTORY_RESET			Execute the Factory Reset	

Other	A-1	C00				Power On
	A-2	C01				Power Off (Directly Off)
	A-3	C0D				Shutter Close
	A-4	C0E				Shutter Open
	A-5	C43				Freeze On
	A-6	C44				Freeze Off
	A-7		CR_ALLPFAIL			Check the record of self diagnosis
	A-8	CR0				Projector Status 1 = Stand-by 2 = Warming Up 4 = Searching Source 7 = Display Source 12 = Cooling

Remote Control Button	B-1	C00				Power On
	B-2	C02				Power Off
	B-3		CF_KYBTN1			1 (VGA)
	B-4		CF_KYBTN2			2 (BNC)
	B-5		CF_KYBTN3			3 (HDMI)
	B-6		CF_KYBTN4			4 (DVI-D)
	B-7		CF_KYBTN5			5 (3G-SDI)
	B-8		CF_KYBTN6			6 (HDBase-T)
	B-9		CF_KYBTN7			7 (Video)
	B-10		CF_KYBTN8			8 (Network Display)
	B-11		CF_KYBTN9			9
	B-12		CF_KYINFO			Info
	B-13		CF_KYBTN0			0
	B-14	C27				Mode
	B-15	C89				Auto
	B-16		CF_KYSRC			SOURCE
	B-17	C3C				Up
	B-18	C3B				Left
	B-19	C3F				Enter
	B-20	C3A				Right
	B-21	C3D				DOWN
	B-22	C1C				MENU
	B-23		CF_KYEXIT			Exit
	B-24		CF_KYGAMMA			Gamma
	B-25		CF_KYBRIGHT			Bright
	B-26		CF_KYCONT			Cont.
	B-27		CF_KYPIP			PIP
	B-28	C5F				Lens H (Left)
	B-29	C60				Lens H (Right)
	B-30	C4A				Focus (Up)
	B-31	C5D				Lens V (Up)
	B-32	C5E				Lens V (Down)
	B-33	C4B				Focus (Down)
	B-34	C91				Keystone H (Left)
	B-35	C90				Keystone H (Right)
	B-36	C46				Zoom (Up)
	B-37	C8E				Keystone V (Up)
	B-38	C8F				Keystone V (Down)
	B-39	C47				Zoom (Down)
	B-40		CF_KYSHUTTER			Shutter (AV Mute) *Toggled
	B-41		CF_KYHOTKEY			Hot Key
	B-42		CF_KYTESTPAT			Pattern