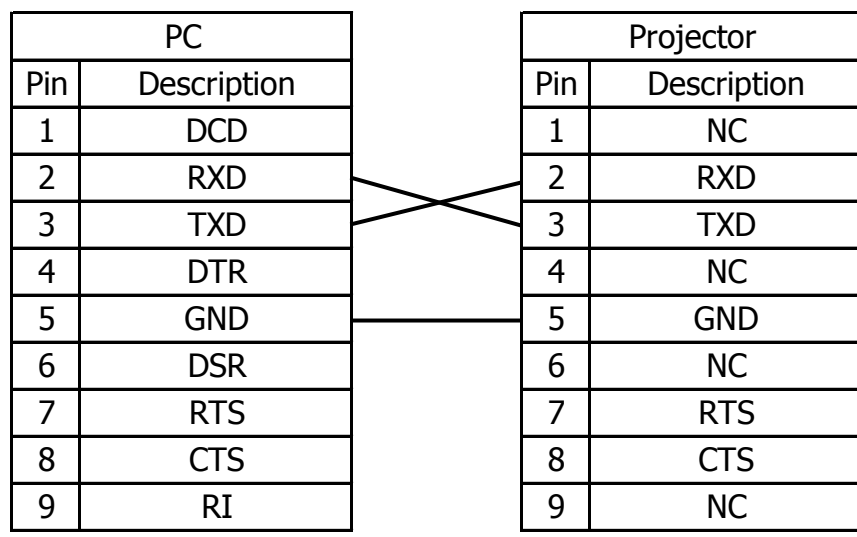


RS232C Command List for EK-610U/611W/612X

2016/7/26
Ver 1.00

Pin Alignment



RS232C Setting

Baud Rate:	19200 (Default)
Parity Check:	None
Data Bit:	8
Stop Bit:	1
Flow Control:	None

*Baud rate can be changed below value in OSD.
--> 9600, 14400, 19200, 38400, 57600, 115200

RS232C Command List for EK-610U/611W/612X

Category	Item	Standard Format	Expand Format		Reply	Note	
		Commands	Commands	Parameter (%1=)			
1-1			CF_IMAGE_%1	1		Presentation	
				2		Video	
				3		Bright	
				4		2D High Speed	
				5		3D	
				6		User	
				CF_IMAGE_SAVE			Save to User
				CR_IMAGE		1 ~ 6	Check Display Mode setting (1:Presentation, 2:Video, 3:Bright, 4:2D High Speed, 5:3D, 6:User)
	1-2			CF_BRIGHT_%1	0 ~ 100		Set Bright Value (0 ~ 100)
					UP		Increase setting value (+1) from current setting
					DN		Decrease setting value (-1) from current setting
	1-3			CF_CONT_%1	0 ~ 100		Set Contrast Value (0 ~ 100)
					UP		Increase setting value (+1) from current setting
					DN		Decrease setting value (-1) from current setting
	1-4			CF_SHARP_%1	0 ~ 4		Set Sharp Value (0 ~ 4)
					UP		Increase setting value (+1) from current setting
					DN		Decrease setting value (-1) from current setting
	1-5			CF_COLOR_%1	0 ~ 100		Set Color Value (0 ~ 100)
					UP		Increase setting value (+1) from current setting
					DN		Decrease setting value (-1) from current setting
1-6			CF_TINT_%1	0 ~ 100		Set Tint Value (0 ~ 100)	
				UP		Increase setting value (+1) from current setting	
				DN		Decrease setting value (-1) from current setting	
1-7			CF_PHASE_%1	0 ~ 100		Set Phase Value (0 ~ 100)	
				UP		Increase setting value (+1) from current setting	
				DN		Decrease setting value (-1) from current setting	
1-8			CF_FREQ_%1	0 ~ 100		Set Frequency Value (0 ~ 100)	
				UP		Increase setting value (+1) from current setting	
				DN		Decrease setting value (-1) from current setting	
1-9			CF_HPOS_%1	0 ~ 100		Set Horizontal Position Value (0 ~ 100)	
				UP		Increase setting value (+1) from current setting	
				DN		Decrease setting value (-1) from current setting	
1-10			CF_VPOS_%1	0 ~ 100		Set Vertical Position Value (0 ~ 100)	
				UP		Increase setting value (+1) from current setting	
				DN		Decrease setting value (-1) from current setting	
1-11		C89				Execute Auto Image	
1-12-1			CF_3D-MODE_%1	0		Off	
				1		On	
1-12-2			CR_3D-Mode		0 ~ 1	Check 3D Mode setting	
				CF_3D-INVERT			Execute 3D-Invert
1-13-1			CF_CM_%1	0		Off	
				1		On	
1-13-2			CR_CM		0 ~ 1	Check HSG Enable setting	
				CF_CMAUTOTESTPAT_%1	0		Off
1-13-3			CR_CMAUTOTESTPAT	1		On	
				CF_CM_RH_%1	0 ~ 254		Set Red Hue Value (0 ~ 254)
1-13-4			CR_CM_RH	UP		Increase setting value (+1) from current setting	
				DN		Decrease setting value (-1) from current setting	
1-13-5			CF_CM_RS_%1	0 ~ 254		Set Red Saturant Value (0 ~ 254)	
				UP		Increase setting value (+1) from current setting	
1-13-6			CR_CM_RS	DN		Decrease setting value (-1) from current setting	
				CF_CM_RG_%1	0 ~ 254		Set Red Gain Value (0 ~ 254)
1-13-7			CR_CM_RG	UP		Increase setting value (+1) from current setting	
				DN		Decrease setting value (-1) from current setting	
1-13-8			CF_CM_GH_%1	0 ~ 254		Set Green Hue Value (0 ~ 254)	
				UP		Increase setting value (+1) from current setting	
1-13-9			CR_CM_GH	DN		Decrease setting value (-1) from current setting	
				CF_CM_GS_%1	0 ~ 254		Set Green Saturant Value (0 ~ 254)
1-13-10			CR_CM_GS	UP		Increase setting value (+1) from current setting	
				DN		Decrease setting value (-1) from current setting	
1-13-11			CF_CM_GG_%1	0 ~ 254		Set Green Gain Value (0 ~ 254)	
				UP		Increase setting value (+1) from current setting	
1-13-12			CR_CM_GG	DN		Decrease setting value (-1) from current setting	
				CF_CM_BH_%1	0 ~ 254		Set Blue Hue Value (0 ~ 254)
1-13-13			CR_CM_BH	UP		Increase setting value (+1) from current setting	
				DN		Decrease setting value (-1) from current setting	
1-13-14			CF_CM_BS_%1	0 ~ 254		Set Blue Saturant Value (0 ~ 254)	
				UP		Increase setting value (+1) from current setting	
1-13-15			CR_CM_BS	DN		Decrease setting value (-1) from current setting	
				CF_CM_BG_%1	0 ~ 254		Set Blue Gain Value (0 ~ 254)
1-13-16			CR_CM_BG	UP		Increase setting value (+1) from current setting	
				DN		Decrease setting value (-1) from current setting	
1-13-17				0 ~ 254		Check Blue Gain Value	

PICTURE	1-13-12	CF_CM_CH_%1	0 ~ 254	Set Cyan Hue Value (0 ~ 254)
			UP	Increase setting value (+1) from current setting
	CR_CM_CH	0 ~ 254	DN	Decrease setting value (-1) from current setting
				Check Cyan Hue Value
	1-13-13	CF_CM_CS_%1	0 ~ 254	Set Cyan Saturant Value (0 ~ 254)
			UP	Increase setting value (+1) from current setting
	CR_CM_CS	0 ~ 254	DN	Decrease setting value (-1) from current setting
				Check Cyan Saturant Value
	1-13-14	CF_CM_CG_%1	0 ~ 254	Set Cyan Gain Value (0 ~ 254)
			UP	Increase setting value (+1) from current setting
	CR_CM_CG	0 ~ 254	DN	Decrease setting value (-1) from current setting
				Check Cyan Gain Value
	1-13-15	CF_CM_MH_%1	0 ~ 254	Set Magenta Hue Value (0 ~ 254)
			UP	Increase setting value (+1) from current setting
	CR_CM_MH	0 ~ 254	DN	Decrease setting value (-1) from current setting
				Check Magenta Hue Value
	1-13-16	CF_CM_MS_%1	0 ~ 254	Set Magenta Saturant Value (0 ~ 254)
			UP	Increase setting value (+1) from current setting
	CR_CM_MS	0 ~ 254	DN	Decrease setting value (-1) from current setting
				Check Magenta Saturant Value
	1-13-17	CF_CM_MG_%1	0 ~ 254	Set Magenta Gain Value (0 ~ 254)
			UP	Increase setting value (+1) from current setting
	CR_CM_MG	0 ~ 254	DN	Decrease setting value (-1) from current setting
				Check Magenta Gain Value
	1-13-18	CF_CM_YH_%1	0 ~ 254	Set Yellow Hue Value (0 ~ 254)
			UP	Increase setting value (+1) from current setting
	CR_CM_YH	0 ~ 254	DN	Decrease setting value (-1) from current setting
				Check Yellow Hue Value
	1-13-19	CF_CM_YS_%1	0 ~ 254	Set Yellow Saturant Value (0 ~ 254)
			UP	Increase setting value (+1) from current setting
	CR_CM_YS	0 ~ 254	DN	Decrease setting value (-1) from current setting
				Check Yellow Saturant Value
	1-13-20	CF_CM_YG_%1	0 ~ 254	Set Yellow Gain Value (0 ~ 254)
			UP	Increase setting value (+1) from current setting
	CR_CM_YG	0 ~ 254	DN	Decrease setting value (-1) from current setting
				Check Yellow Gain Value
	1-13-21	CF_CM_WH_%1	0 ~ 254	Set White Hue Value (0 ~ 254)
			UP	Increase setting value (+1) from current setting
	CR_CM_WH	0 ~ 254	DN	Decrease setting value (-1) from current setting
				Check White Hue Value
	1-13-22	CF_CM_WS_%1	0 ~ 254	Set White Saturant Value (0 ~ 254)
			UP	Increase setting value (+1) from current setting
	CR_CM_WS	0 ~ 254	DN	Decrease setting value (-1) from current setting
				Check White Saturant Value
	1-13-23	CF_CM_WG_%1	0 ~ 254	Set White Gain Value (0 ~ 254)
			UP	Increase setting value (+1) from current setting
	CR_CM_WG	0 ~ 254	DN	Decrease setting value (-1) from current setting
				Check White Gain Value
	1-13-24	CF_CMFDEFAULT_RST		Reset the value of HSG setting
	1-14-1	CF_WPEAK_%1	0 ~ 100	Step value size is "10"
			UP	Increase setting value (+10) from current setting
	CR_WPEAK	0 ~ 100	DN	Decrease setting value (-10) from current setting
				Check White Peaking Value
	1-14-2	CF_GAMMA_%1	1	Film
			2	Video
			3	Graphics
			4	Standard
	CR_GAMMA	1 ~ 4		Check Gamma setting
	1-14-3	CF_COLTEMP_%1	1	Warm
			2	Medium
			3	Cool
	CR_COLTEMP	1 ~ 3		Check Color Temp setting
	1-14-4	CF_COLORSPACE_%1	2	RGB
			3	RGB709
			4	REC601
			5	RGB Video
			1	Auto
	CR_COLORSPACE	1 ~ 5		Check Color Space setting
	1-14-5-1	CF_GAIN_R_%1	000 ~ 100	Set Red Gain Value (0 ~ 100)
			UP	Increase setting value (+1) from current setting
	CR_GAIN_R	0 ~ 100	DN	Decrease setting value (-1) from current setting
				Check Red Gain Value
	1-14-5-2	CF_GAIN_G_%1	000 ~ 100	Set Green Gain Value (0 ~ 100)
			UP	Increase setting value (+1) from current setting
	CR_GAIN_G	0 ~ 100	DN	Decrease setting value (-1) from current setting
				Check Green Gain Value
	1-14-5-3	CF_GAIN_B_%1	000 ~ 100	Set Blue Gain Value (0 ~ 100)
			UP	Increase setting value (+1) from current setting
	CR_GAIN_B	0 ~ 100	DN	Decrease setting value (-1) from current setting
			Check Blue Gain Value	
1-14-5-4	CF_OFFSET_R_%1	000 ~ 100	Set Red Offset Value (0 ~ 100)	
		UP	Increase setting value (+1) from current setting	
CR_OFFSET_R	0 ~ 100	DN	Decrease setting value (-1) from current setting	
			Check Red Offset Value	
1-14-5-5	CF_OFFSET_G_%1	000 ~ 100	Set Green Offset Value (0 ~ 100)	
		UP	Increase setting value (+1) from current setting	
CR_OFFSET_G	0 ~ 100	DN	Decrease setting value (-1) from current setting	
			Check Green Offset Value	
1-14-5-6	CF_OFFSET_B_%1	000 ~ 100	Set Blue Offset Value (0 ~ 100)	
		UP	Increase setting value (+1) from current setting	
CR_OFFSET_B	0 ~ 100	DN	Decrease setting value (-1) from current setting	
			Check Blue Offset Value	
1-14-7	CF_GO_RST		Reset the value of Gain/Offset	
1-14-8	CF_FMODE_%1	0	Off	
		1	On	
CR_FMODE	0 ~ 1		Check Film mode setting	
1-14-9	CF_DYNAMICBLACK_%1	0	Off	
		1	On	
CR_DYNAMICBLACK	0 ~ 1		Check Dynamic Black setting	

OUTPUT	2-1	COF		1		Auto
				2		4:3
			CF_ASPECT_%1	3		16:10 - EK-610U/611W 16:9 - EK-612X
				4		Native
			CR_ASPECT		1 ~ 4	CheckAspect Ratio setting
	2-2		CF_OVERSCAN_%1	0		Off
				1		On
			CR_OVERSCAN		0 ~ 1	Check Overscan setting
	2-3		CF_DZOOM_H_%1	50 ~ 400		Set H Digital Zoom Value (50 ~ 400)
				UP		Increase setting value (+1) from current setting
				DN		Decrease setting value (-1) from current setting
			CR_DZOOM_H		50 ~ 400	Check H Digital Zoom value
	2-4		CF_DZOOM_V_%1	50 ~ 400		Set V Digital Zoom Value (50 ~ 400)
				UP		Increase setting value (+1) from current setting
				DN		Decrease setting value (-1) from current setting
			CR_DZOOM_V		50 ~ 400	Check V Digital Zoom value
	2-5		CF_DSHIFT_H_%1	0 ~ 100		Set H Digital Shift Value (0 ~ 100)
				UP		Increase setting value (+1) from current setting
				DN		Decrease setting value (-1) from current setting
			CR_DSHIFT_H		0 ~ 100	Check H Digital Shift value
	2-6		CF_DSHIFT_V_%1	0 ~ 100		Set V Digital Shift Value (0 ~ 100)
				UP		Increase setting value (+1) from current setting
				DN		Decrease setting value (-1) from current setting
			CR_DSHIFT_V		0 ~ 100	Check V Digital Shift value
	2-7-1	C90	CF_KYSTN_H_%1	0 ~ 40		Set H Keystone Value (0 ~ 40)
		C91		UP		Increase setting value (+1) from current setting
				DN		Decrease setting value (-1) from current setting
			CR_KYSTN_H		0 ~ 40	Check H Keystone value
	2-7-2	C8E	CF_KYSTN_V_%1	0 ~ 40		Set V Keystone Value (0 ~ 40)
		C8F		UP		Increase setting value (+1) from current setting
				DN		Decrease setting value (-1) from current setting
			CR_KYSTN_V		0 ~ 40	Check V Keystone value
	2-7-3		CF_WARP_PB_H_%1	0 ~ 100		Set H Pincushion Value (0 ~ 100)
				UP		Increase setting value (+1) from current setting
				DN		Decrease setting value (-1) from current setting
			CR_WARP_PB_H		0 ~ 100	Check H Pincushion value
	2-7-4		CF_WARP_PB_V_%1	0 ~ 100		Set V Pincushion Value (0 ~ 100)
				UP		Increase setting value (+1) from current setting
				DN		Decrease setting value (-1) from current setting
			CR_WARP_PB_V		0 ~ 100	Check V Pincushion value
	2-8-1		CF_PIPMODE_%1	0		Off
				1		On
			CR_PIPMODE		0 ~ 1	CheckPIP/PBP Enable setting
	2-8-2	C05	CF_PIPMAININP_%1	1		VGA
		C36		2		HDMI
		C33		3		Component
		C38		4		HDBaseT
		C07		5		CVBS
		C52	6		DVI-D	
			CR_PIPMAININP		1 ~ 6	Check Main Source setting
	2-8-3		CF_PIPSUBINP_%1	1		VGA
				2		HDMI
				3		Component
				4		HDBaseT
				5		CVBS
			6		DVI-D	
			CR_PIPSUBINP		1 ~ 6	Check Sub Source setting
	2-8-4		CF_PIPSWAP			Execute PIP/PBP Swap
	2-8-5		CF_PIPSIZESSUB_%1	1		Small
				2		Medium
				3		Large
			CR_PIPSIZESSUB		1 ~ 3	Check PIP Size setting
	2-8-6		CF_PIPPOSITION_%1	1		PBP, Main Left
				2		PBP, Main Top
				3		PBP, Main Right
				4		PBP, Main Bottom
				5		PIP-Bottom Right
				6		PIP-Bottom Left
				7		PIP-Top Left
			8		PIP-Top Right	
			CR_PIPPOSITION		1 ~ 8	Check Layout setting
	3-1		CF_LANG_%1	ENG		English
				FRA		French
				ESP		Spanish
				DEU		German
				ITA		Italian
				RUS		Russian
				SCH		Chinese Simplified
				JPN		Japanese
			KOR		Korean	
			CR_LANG		ENG, FRA,	Check Language setting
	3-2		CF_CEIL_%1	0		Off
				1		On
				2		Auto
			CR_CEIL		0 ~ 2	Check Ceiling setting
	3-3		CF_REAR_%1	0		Off
				1		On
			CR_REAR		0 ~ 1	Check Rear setting

SETUP

3-4-1	C4B				Focus in - motor go step
	C4D				Focus in - motor run
3-4-2	C4A				Focus out - motor go step
	C4C				Focus out - motor run
	C46				Zoom in - motor go step
	C48				Zoom in - motor run
3-4-3	C47				Zoom out - motor go step
	C49				Zoom out - motor run
	C5D				Left shift up - motor go step
3-4-3	C63				Left shift up - motor run
	C5E				Left shift down - motor go step
	C64				Left shift down - motor run
	C60				Left shift right - motor go step
	C66				Left shift right - motor run
	C5F				Left shift left - motor go step
3-4-4	C65				Left shift left - motor run
	C61				Execute Lens Calibration
3-4-5	CF_LENSLOCK_%1	0			No
	CR_LENSLOCK	1			Yes
3-5	CF_MENUTRANS_%1	0 ~ 1			Check Lens Lock setting
	CR_MENUTRANS	0 ~ 9		0 ~ 9	Set Menu Transparency value (0 ~ 9)
3-6	CF_DISP_%1	0			Check Menu Transparency setting
	CR_DISP	1		0 ~ 1	Off
3-7-1	CF_PJPINCODE_%1	00000 ~ 99999			On
3-7-2	CF_PJPINCODECHANGE_%1_%2	%1= Old PIN %2= New PIN (00000 ~ 99999)			Execute PIN Protect with code. (PIN Protect function is toggled.)
3-8-1-1	CF_DHCP_%1	0			Change PIN CODE setting (%1 = Current PIN Code, %2 = New PIN Code)
	CR_DHCP	1		0 ~ 1	Off
3-8-1-2	CF_IPADDRESS_%1	xxx.xxx.xxx.xxx			On
	CR_IPADDRESS	xxx.xxx.xxx.xxx		xxx.xxx.xxx.xxx	Check LAN DHCP setting
3-8-1-3	CF_SUBNET_%1	xxx.xxx.xxx.xxx			Set LAN IP Address
	CR_SUBNET	xxx.xxx.xxx.xxx		xxx.xxx.xxx.xxx	Check LAN IP Address setting
3-8-1-4	CF_GATEWAY_%1	xxx.xxx.xxx.xxx			Set LAN Subnet setting
	CR_GATEWAY	xxx.xxx.xxx.xxx		xxx.xxx.xxx.xxx	Check LAN Subnet setting
3-8-1-5	CF_MACADDRESS	xx-xx-xx-xx-xx-xx			Set LAN Gateway setting
3-8-1-6	CR_MACADDRESS	xx-xx-xx-xx-xx-xx			Check LAN Gateway setting
3-8-2-1	CF_LANSETAPPLY				Check LAN MAC Address setting
3-8-2-2	CF_WLAN_%1	1			Save LAN setting
	CR_WLAN	1			Set WLAN Enable
3-8-2-3	CF_WLAN_STARTIP_%1	xxx.xxx.xxx.xxx			Set WLAN Start IP Address
	CR_WLAN_STARTIP	xxx.xxx.xxx.xxx		xxx.xxx.xxx.xxx	Check WLAN Start IP Address setting
3-8-2-4	CF_WLAN_ENDIP_%1	xxx.xxx.xxx.xxx			Set WLAN End IP Address
	CR_WLAN_ENDIP	xxx.xxx.xxx.xxx		xxx.xxx.xxx.xxx	Check WLAN End IP Address setting
3-8-2-5	CF_WLAN_SUBNET_%1	xxx.xxx.xxx.xxx			Set WLAN Subnet setting
	CR_WLAN_SUBNET	xxx.xxx.xxx.xxx		xxx.xxx.xxx.xxx	Check WLAN Subnet setting
3-8-2-6	CF_WLAN_GATEWAY_%1	xxx.xxx.xxx.xxx			Set WLAN Gateway setting
	CR_WLAN_GATEWAY	xxx.xxx.xxx.xxx		xxx.xxx.xxx.xxx	Check WLAN Gateway setting
3-8-2-7	CF_WLAN_MACADDRESS	xx-xx-xx-xx-xx-xx			Check WLAN MAC Address setting
3-8-3-1	CR_WLAN_MACADDRESS	xx-xx-xx-xx-xx-xx			Check WLAN SSID setting
3-8-3-2	CF_WLAN_SSID				Check Network PJ Name setting
3-8-3-3	CR_NET_PJNAME				Restart Network
3-8-4	CF_NET_RESET				Factory Reset Network setting
	CF_NET_FACTORY_RESET				9600
	CF_BAUDRATE_%1	1			14400
	CF_BAUDRATE_%1	2			19200
	CF_BAUDRATE_%1	3			38400
	CF_BAUDRATE_%1	4			57600
3-8-5	CF_BAUDRATE_%1	5			115200
	CR_BAUDRATE	6		1 ~ 6	Check Serial Port Baud Rate setting
3-8-5	CF_PJIRADDRESS_%1	0 ~ 9			Set Projector Address
	CR_PJIRADDRESS	0 ~ 9		0 ~ 9	Check Projector Address setting
4-1	CF_AUTOSRC_%1	0			Off
	CR_AUTOSRC	1		0 ~ 1	On
4-2	CF_ALTITUDE_%1	0			Check Auto Source setting
	CR_ALTITUDE	1		0 ~ 1	Off
4-3	CF_TESTPAT_%1	0			On
	CF_TESTPAT_%1	1			Check High Altitude setting
	CF_TESTPAT_%1	2			Grid
	CF_TESTPAT_%1	3			Red
	CF_TESTPAT_%1	4			Green
	CF_TESTPAT_%1	5			Blue
	CF_TESTPAT_%1	6			Yellow
	CF_TESTPAT_%1	7			Magenta
	CF_TESTPAT_%1	8			Cyan
4-4	CR_TESTPAT	9		0 ~ 9	White
4-4	CF_BACKGND_%1	1			Black
	CF_BACKGND_%1	2			Blank Screen
	CF_BACKGND_%1	3			Aspect Ratio
	CR_BACKGND	4		1 ~ 4	Freeze Screen
4-5	CF_HOTKEY_%1	1			Overscan
	CF_HOTKEY_%1	2			Check Hot-Key setting
	CF_HOTKEY_%1	3			
	CR_HOTKEY	4		1 ~ 4	

OPTION	4-6-1		CF_ECONETWORK_%1	1		0.5W mode
			CR_ECONETWORK	0	0 ~ 1	Communication mode
						Check Stand-by Network setting
	4-6-2	C29 C28	CF_AUTOPOWERON_%1	0		Off
				1		On
			CR_AUTOPOWERON		0 ~ 1	Check Direct Power On setting
				0		No
				1		5 Mins
				2		10 Mins
				3		15 Mins
				4		20 Mins
				5		25 Mins
				6		30 Mins
					0 ~ 6	Check Auto Power Off setting
				0		No
				1		2 Hours
				2		4 Hours
				3		6 Hours
					0 ~ 3	Check Sleep Timer setting
				1		Constant Power
				2		Eco Mode
					1 ~ 2	Check Light Source Mode
				0 ~ 10		Set Constant Power value (0 ~ 10)
					0 ~ 10	Check Constant Power setting
						Check Total Projector Hours
		4-7-3		CR_PJTIME		Check Total Projector Hours
		4-7-4	CR3			Check Lamp Hours
		4-7-5		CF_LAMP1HOUR_RESET		Reset Lamp usage Hour
		4-8-1		CR_MODELNAME		Check Model Name
		4-8-2		CR_SERIALNO		Check Serial Number
		4-8-3		CR_NRESOLUTION		Check Native Resolution
		4-8-4		CR_SWVER		Check Software Version
		4-8-5	CR1			Check Main Input source
		4-8-6		CR_RESOLUTION		Check Main Resolution
		4-8-7		CR_SYSTEM		Check Main Signal Format
		4-8-8		CR_PIXELCLK		Check Main Pixel Clock
		4-8-9		CR_REFRESH		%1 %2
		4-8-10			(%1 = H freq. %2 = V freq.)	Check Main H/V Refresh Rate
		4-8-11		CR_PIPSUBINP		Check Sub Input source
		4-8-12		CR_SUB_RESOLUTION		Check Sub Resolution
		4-8-13		CR_SUB_SYSTEM		Check Sub Signal Format
		4-8-14		CR_SUB_PIXELCLK		Check Sub Pixel Clock
		4-8-15		CR_SUB_REFRESH		%1 %2
		4-8-16			(%1 = H freq. %2 = V freq.)	Check Sub H/V Refresh Rate
		4-8-17		CR_AUTOLAMPCONTROL		Check Light Source Mode
		4-8-18		CR_PJTIME		Check Total Projector Hours
		4-8-19		CR_ECONETWORK		Check Stand-by Network setting
	4-8-20		CR_IPADDRESS		Check LAN IP Address setting	
	4-8-21		CR_DHCP		Check LAN DHCP setting	
	4-9		CF_FACTORY_RESET		Execute Factory Reset	

Other	A-1	C00				Power On
	A-2	C01				Power Off
	A-3	C0D				Shutter Close
	A-4	C0E				Shutter Open
	A-5	C43				Freeze On
	A-6	C44				Freeze Off
	A-7	CR0				Projector Status 1 = Stand-by 2 = Warming Up 4 = Searching Source 7 = Display Source 12 = Cooling
	A-8		CR_ALLPFAIL			

Remote Control Button	B-1	C00			Power ON
	B-2	C02			POWER OFF
	B-3		CF_KYBTN1		1
	B-4		CF_KYBTN2		2
	B-5		CF_KYBTN3		3
	B-6		CF_KYBTN4		4
	B-7		CF_KYBTN5		5
	B-8		CF_KYBTN6		6
	B-9		CF_KYBTN7		7
	B-10		CF_KYBTN8		8
	B-11		CF_KYBTN9		9
	B-12		CF_KYINFO		Info
	B-13		CF_KYBTN0		0
	B-14	C27			Mode
	B-15	C89			Auto
	B-16		CF_KYSRC		SOURCE
	B-17	C3C			Up
	B-18	C3B			Left
	B-19	C3F			Enter
	B-20	C3A			Right
	B-21	C3D			DOWN
	B-22	C1C			MENU
	B-23		CF_KYEXIT		Exit
	B-24		CF_KYGAMMA		Gamma
	B-25		CF_KYBRIGHT		Bright
	B-26		CF_KYCONT		Cont.
	B-27		CF_KYPIP		PIP
	B-28	C5F			Lens H (Left)
	B-29	C60			Lens H (Right)
	B-30	C4A			Focus (Up)
	B-31	C5D			Lens V (Up)
	B-32	C5E			Lens V (Down)
	B-33	C4B			Focus (Down)
	B-34	C91			Keystone H (Left)
	B-35	C90			Keystone H (Right)
	B-36	C46			Zoom (Up)
	B-37	C8E			Keystone V (Up)
	B-38	C8F			Keystone V (Down)
	B-39	C47			Zoom (Down)
	B-40		CF_KYSHUTTER		Shutter (AV Mute)
	B-41		CF_KYHOTKEY		Hot Key
	B-42		CF_KYTESTPAT		Pattern