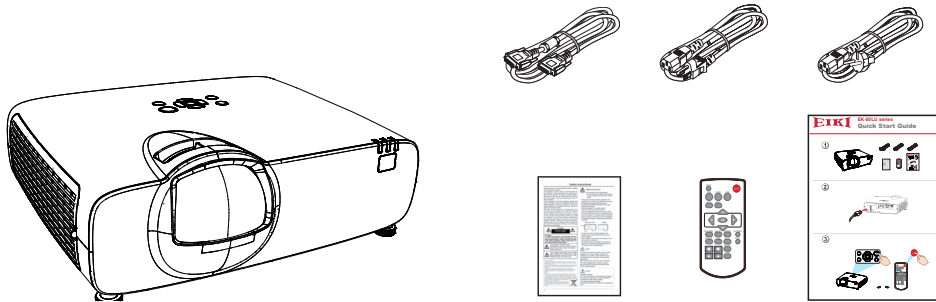
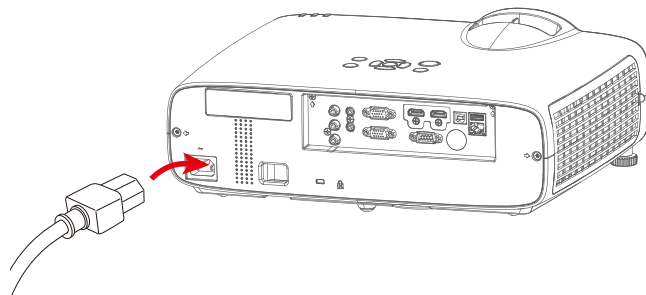


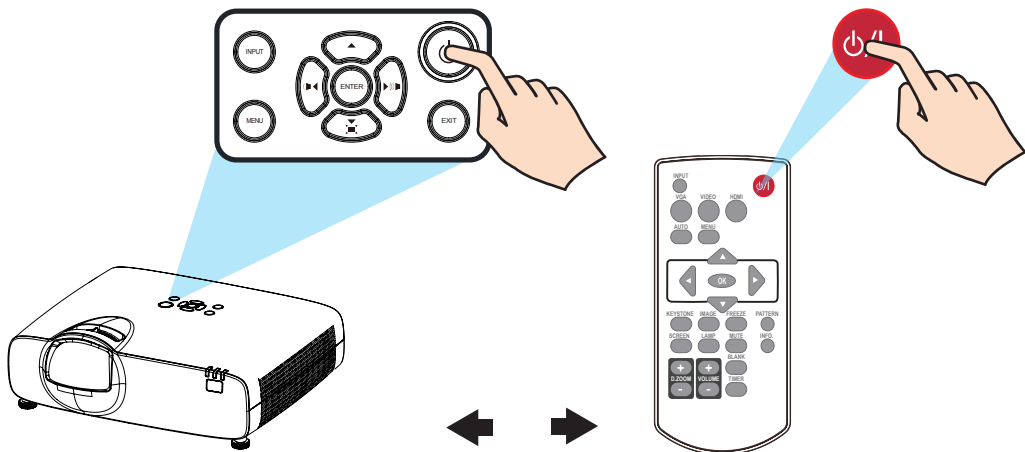
1



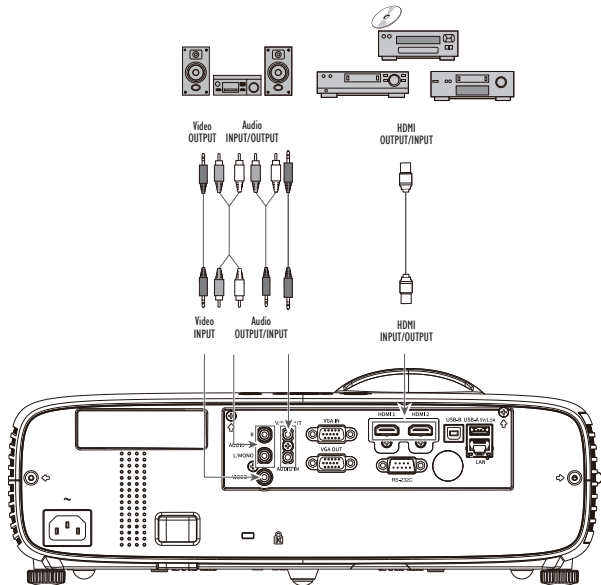
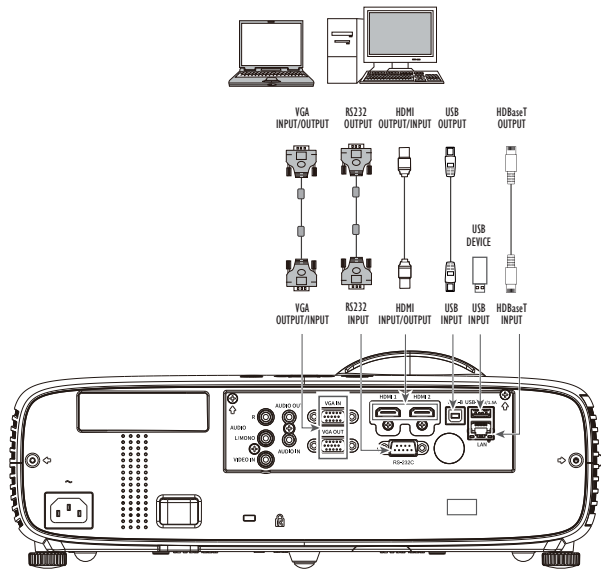
2



3

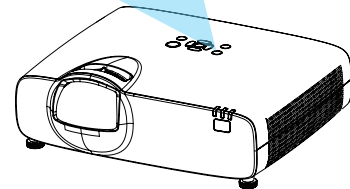
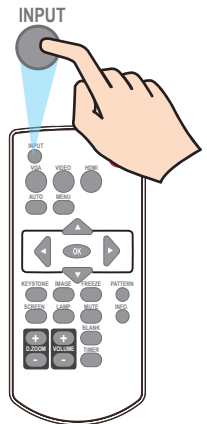
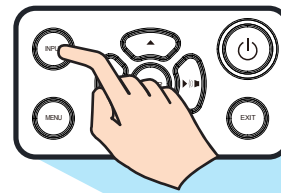


4

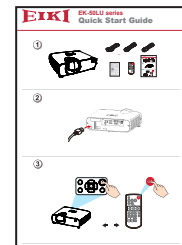


5

- VGA
- HDMI 1
- HDMI 2
- Memory Viewer
- Network
- USB Display



6



<https://global.eiki.com>

### U.S.A. / Canada

EIKI International, Inc.  
22552 Avenida Empressa Rancho Santa  
Margarita, CA 92688 U.S.A.  
Tel: +1-800-242-3454  
+1 949-742-6800  
E-Mail: [usa@eiki.com](mailto:usa@eiki.com)

### China

EIKI (Shanghai) Co., Ltd.  
LAKESIDE OASIS MIDDLE RING  
BUSINESS CENTER Block 1,  
Room 606, 1628, Jin Sha Jiang Road  
Shanghai, 200333, CHINA  
Tel: +86 21-3251-3993  
Service Hot line: +86 21-3251-3995  
Fax: +86 21-3251-3997  
E-mail: [info@eiki-china.com](mailto:info@eiki-china.com)

### South East Asia

EIKI International Sdn Bhd  
E-01-03, Sekitar 26 Enterprise,  
Persiaran Hulu Selangor, Seksyen 26,  
40400 Shah Alam, Selangor Darul Ehsan, Malaysia  
Tel: +60 3-6157-9330  
Fax: +60 3-6157-1320  
E-Mail: [sales@eiki.my](mailto:sales@eiki.my)

### Oceania

EIKI AUSTRALIA PTY LTD  
Level 5, 11 Queens Road,  
Melbourne, Victoria 3004, Australia  
Tel: +61 03-8530-7048  
Fax: +61 03-9820-5834  
E-Mail: [sales@eiki.net.au](mailto:sales@eiki.net.au)

### Worldwide

EIKI JAPAN Co.,LTD  
202 2-162-1 Higashisonoda,  
Amagasaki-shi, Hyogo 6610953  
Japan  
Tel: +81 06-6499-8865  
E-Mail: [info@eiki-japan.info](mailto:info@eiki-japan.info)