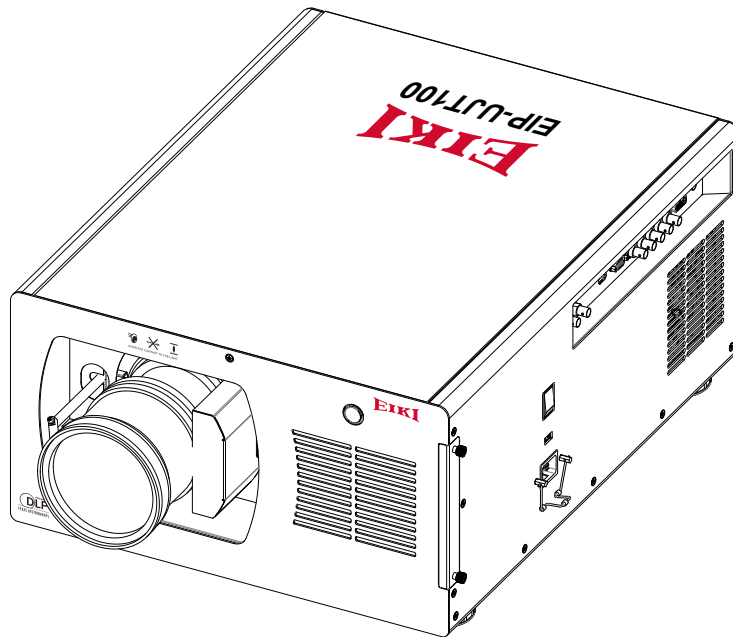


EIKI

Owner's Manual



Multimedia Projector

Model EIP-UJT100

(Projection lens is optional.)

Feature and Design

DLP Projector with High Resolution

The Projector with the high performance Digital Micro-mirror Device (3-DMDs) in conjunction with the advanced Liquid Cooling technology to provide the excellent projecting performance and reliability.

Motor-driven Lens Control

Projection lens can be moved up, down, right and left with the motor-driven lens shift function. This function makes it easy to provide projected image where you want. Zoom and focus can also be adjusted with a motor-driven operation.

Complete projection lens options

Six types of motorized projection lens can be an option for EIP-UJT100, the projection lenses can cover the throw ratio range from 0.67:1 to 6.96:1 and is suitable to be used in most of applications.

Quick Lens Change design

The interchangeable lens design allows the user to easily and quickly change the suitable lens by rotating the lever.

e-Warping Engine

The projector is equipped with built-in e-warping engine to support to geometry correction like keystone, four corners, pin-cushion/barrel correction and image rotation.

Edge Blending and Blanking Function

Using edge blending function of the projector can create seamless displays by overlapping projector images and blending the edges.

HDBaseT

The projector can support Full HD uncompressed video transmitting with HDBaseT.

Various Lamp Power Options

The advanced dual-lamp optical engine as well as the single-lamp, dual-lamp, Normal, Eco (energy-saving) and Custom Power Level mode offer the convenience for installation and maintenance. Custom Power Level option allows you to adjust the lamp power from 100% to 78.3% to fine-tune the brightness of projectors.

Shutter Function

The projector is equipped with the shutter that provides complete blackness for a while the projected image is not needed with keeping the projector on.

Wired LAN Function

This projector is loaded with a wired LAN function to control and set-up the projector remotely via network including general projector setup, lens control...etc.

High-Density Filter

The projector is designed with a higher density filter to limit the amount of dust that can settle on the internal components and reduce the lamp life or dull the image. It's easy to vacuum the dust off or replace the filter when the time comes to clean or replace the filter.

Picture-In-Picture

This projector is capable of projecting two images simultaneously by using Picture In Picture function. The function offers various options to select main/sub-menu position and input source. For details, refer to the section.

Index

Feature and Design	2
To the Owner	6
Safety Instructions	8
Installing the Projector in Proper Directions	9
Positioning Precautions	9
Compliance	10
Federal Communications Commission Notice	10
Canadian Radio Interference Regulations	10
AC Power Cord Requirement.....	11
Standard Accessories	12
Optional Accessories	13
Optional Lenses and Projection Size	13
Complete projection lens series as below table	13
Projection Size and Distance	13

Overview 14

Projector contents	14
Part Names and Functions.....	14
Terminals and Connectors	15
Control Keys and LED Indicators	16
Control Keys.....	16
LED Indicators.....	16
Remote Control	17
Remote Control Battery Installation.....	18
Remote Control Receivers and Operation Range.....	19
Wired Remote Control.....	19

Installation.....20

Lens Installation	20
Install and change the projector Lens:	20
Remove Lens	21
Positioning Projector	22
Picture Level and Pitch Adjustment.....	22
Adjusting the Picture Orientation.....	22
Lens Shift Adjustment	23
Vertical / Horizontal Lens Shift	23
Connecting to Computer Signal	24
Cables used for connection.....	24
Connecting to Video Signal	25
Cable used for connection.....	25
Trigger connection	26
Stereo DVI Connection	27
LAN Connection	27
Connecting to wired remote controller	28
Connecting the AC Power Cord	29


Basic Operation	30
Turning On the Projector	30
Turn Off the Projector	30
Selecting an Input Source	31
Selecting a Aspect Ratio	31
How to Operate the OSD Menu	32
OSD Operation	32
Changing the OSD Language	33
OSD Tree	34
OSD Operation-MAIN	37
Input Selection	37
Color Space	38
Input Locking	38
Auto Power Off	38
Auto Power On	38
No Signal	38
Auto image Adjust	39
OSD Operation-PICTURE	39
Contrast	39
Brightness	39
Sharpness	39
Noise Reduction	40
Color Temperature	40
Input Balance	40
Aspect Ratio	40
Timings	41
Auto Image	41
OSD Operation-LAYOUT	42
Overscan	42
Main Select	43
PIP Select	43
PIP Position	44
PIP	44
OSD Introduction – LAMPS	44
POWER	45
Mode	45
High Altitude	45
Custom Power Level	45
Lamp 1 Status	46
Lamp 2 Status	46
Lamp1 Run Time	46
Lamp2 Run Time	46
OSD Introduction – ADVANCED	46
Rear Projection	47
Ceiling Mode	47
Lens Control	47
Dynamic Contrast	47
Gamma	47
Test Pattern	48
Color Gamut	48
Custom Color Gamut	48
Center Lens	48
Warp	49
(Corner Keystone)	50
Blanking	50
Edge Blend	51




- OSD Introduction – SYSTEM.....53**
 - IR Address..... 53
 - Eco Network Power..... 53
 - Network 54
 - Menu Position..... 54
 - Start Up Logo 54
 - Start Up Chime..... 54
 - Button 1~5..... 54
 - Trigger 1, 2..... 55
 - Auto Source..... 55
 - Language 55
- OSD Introduction – SERVICE.....56**
 - Model..... 56
 - Serial Number 56
 - Software Version 56
 - Active/PIP Source 56
 - Pixel Clock..... 56
 - Signal Format..... 57
 - H/V Refresh Rate 57
 - Lamp 1 Run Time..... 57
 - Lamp 2 Run Time..... 57
 - Lamp Hour Reset 57
 - Projector Run Time..... 57
 - Blue Only..... 57
 - Factory Reset..... 57
- Maintenance and Care58**
 - Lamp Replacement58**
 - ORDER REPLACEMENT Lamp 59
 - Filters Replacement60**
 - ORDER REPLACEMENT Filter 61
- Appendix62**
 - Technical Specification.....62**
 - Product Outline Dimension.....63**
 - Support Timing List64**
 - SDI Format..... 65
 - DVI dual-link for 3D 65
 - Projector Control via LAN66**
 - Using Projector Web Control..... 68
 - Configurations of Terminals..... 73

To the Owner

Before installing and operating the projector, read this manual thoroughly. The projector provides many convenient features and functions. Operating the projector properly enables you to manage those features and maintains it in good condition for many years to come. Improper operation may result in not only shortening the product life, but also malfunctions, fire hazard, or other accidents.

If the projector seems to operate improperly, read this manual again, check operations and cable connections and go to "Troubleshooting" section in the later part of this manual. If the problem still persists, contact the dealer where you purchased the projector or the service center.

 **CAUTION!**








WARNING: Caution high temperatures and risk of electrocution. DO NOT remove cover.

ATTENTION: DO NOT use in very hot and humid conditions. Please ensure adequate space is allowed around ventilation area. Please contact your local distributor for dust cleaning when required.

AVERTISSEMENT: Attention, températures élevées et risque d'électrocution. NE PAS retirer le couvercle.


ATTENTION: NE PAS utiliser dans des conditions très chaudes et humides. Veuillez vous assurer un espace adéquat est accordé autour de la zone de ventilation. S'il vous plaît, contactez votre distributeur local pour le nettoyage de la poussière en cas de besoin.


HOT! Let projector cool for minimum of 30 minutes before removing the lamp. High pressure lamp may explode if improperly handled. Disconnect power before changing lamp. Refer to lamp replacement instructions.

警告! 高温危险! 取下灯泡前, 投影机需降温至少30分钟。高压灯泡若处理不当有爆炸危险。换灯泡前须切断电源。请参考灯泡更换说明。


ATTENTION! Laissez le projecteur refroidir pendant au moins 30 minutes avant d'enlever la lampe. La lampe haute pression pourrait exploser si elle n'est pas manipulée correctement. Eteignez l'appareil avant de changer la lampe. Reférez-vous aux instructions données dans la section remplacement de lampes.




CAUTION
RISK OF ELECTRIC SHOCK
DO NOT OPEN



CAUTION: TO REDUCE THE RISK OF ELECTRIC SHOCK, DO NOT REMOVE COVER (OR BACK). NO USER-SERVICEABLE PARTS INSIDE EXCEPT LAMP REPLACEMENT. REFER SERVICING TO QUALIFIED SERVICE PERSONNEL.

 THIS SYMBOL INDICATES THAT DANGEROUS VOLTAGE CONSTITUTING A RISK OF ELECTRIC SHOCK IS PRESENT WITHIN THIS UNIT.

 THIS SYMBOL INDICATES THAT THERE ARE IMPORTANT OPERATING AND MAINTENANCE INSTRUCTIONS IN THE OWNER'S MANUAL WITH THIS UNIT.

FOR EU USERS

The symbol mark and recycling systems described below apply to EU countries and do not apply to countries in other areas of the world.


Your product is designed and manufactured with high quality materials and components which can be recycled and/or reused.

The symbol mark means that electrical and electronic equipment, batteries and accumulators, at their end-of-life, should be disposed of separately from your household waste.

Note:

If a chemical symbol is printed beneath the symbol mark, this chemical symbol means that the battery or accumulator contains a heavy metal at a certain concentration. This will be indicated as follows: Hg: mercury, Cd: cadmium, Pb: lead.

In the European Union there are separate collection systems for used electrical and electronic equipment, batteries and accumulators. Please, dispose of them correctly at your local community waste collection/recycling centre. Please, help us to conserve the environment we live in!




Information for users in the European Union

This is a device to project images onto a screen, etc., and is not intended for use as indoor lighting in a domestic environment.

Directive 2009/125/EC.

NOTE FOR CUSTOMERS IN THE US

 LAMP(S) INSIDE THIS PRODUCT CONTAIN MERCURY AND MUST BE RECYCLED OR DISPOSED OF ACCORDING TO LOCAL STATE OR FEDERAL LAWS.

Safety Precaution

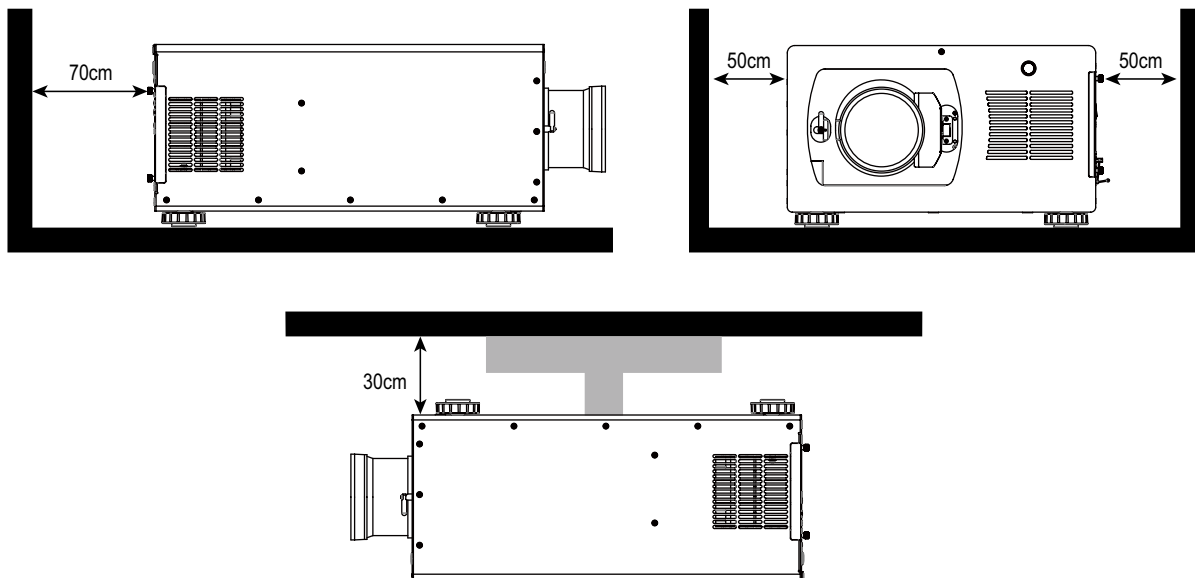
WARNING:

- THIS APPARATUS MUST BE EARTHED.
- TO REDUCE THE RISK OF FIRE OR ELECTRIC SHOCK, DO NOT EXPOSE THIS APPLIANCE TO RAIN OR MOISTURE.

This projector produces intense light from the projection lens. Do not stare directly into the lens, otherwise eye damage could result. Be especially careful that children do not stare directly into the beam.

Install the projector in a proper position. Otherwise it may result in a fire hazard.

Allowing the proper amount of space on the top, sides, and rear of the projector cabinet is critical for proper air circulation and cooling of the unit. The illustrations indicates the required distance from the side walls and ceiling.

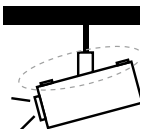


Do not cover the ventilation slots on the projector. Heat buildup can reduce the service life of your projector, and can also be dangerous.

If the projector is unused for an extended period of time, unplug the projector from the power outlet.



CAUTION ON HANGING FROM THE CEILING



When hanging the projector from the ceiling, keep the air intake vents and the top clean. If you leave the projector unclean for a long time, the cooling fans can be clogged with dust, and it may cause a breakdown or a disaster.

DO NOT SET THE PROJECTOR IN GREASE, WET, OR SMOKY CONDITIONS SUCH AS IN A KITCHEN TO PREVENT A BREAKDOWN OR A DISASTER. IF THE PROJECTOR COMES IN CONTACT WITH OIL OR CHEMICALS, IT MAY BECOME DETERIORATED.

Safety Instructions

All the safety and operating instructions should be read before the product is operated, and retain the owner's manual for later use.

Do not use the equipment near water.

The projector should never be covered with cloth or other materials, and the openings should not be blocked by placing the projector on unstable surface like a bed, sofa and rug.

Do not install the equipment near the thermal source, such as the heater, radiator, and furnace or other equipment that will generate heat (including the amplifier).

Do not install the projector near the ventilation duct of air conditioner.

This projector should be operated only from the type of power source indicated on the marking label. If you are not sure of the type of power supplied, consult an authorized dealer or local power company. Do not allow anything to rest on the power cord.

Do not overload wall outlets and extension cords as this can result in fire or electric shock.

Do not destroy the safety protection function of polarized or grounding plugs as this can result in fire electric shock or causing projector damaged. If the provided plug does not match the outlet, contact an electrician to change the old one.

Prevent the power cord from being treaded or pressed, especially the power cord near the plug, outlet and the connection between the power cord and the equipment.

Unplug the power cord during a lighting or when the equipment is not used for long periods.

Do not stare directly at the lens when the projector is running.

Do not attempt to service this projector yourself as opening or removing covers may expose you to dangerous voltage or other hazards. Refer all servicing to qualified service personnel.

When replacement parts are required, be sure the service technician has used replacement parts specified by the manufacturer that have the same characteristics as the original part. Unauthorized substitutions may result in fire, electric shock, injury to persons or projector damaged.

The +12V trigger only outputs 12V DC trigger signal. Do not connect to other power input or output. Otherwise, the equipment may be damaged.

Blocking the air vents by dust and leaving the projector uncleaned for a long time may cause a breakdown, damage the projector or accidents. Please clean or change the filters regularly. The packaging materials should be kept properly for the use of transportation.

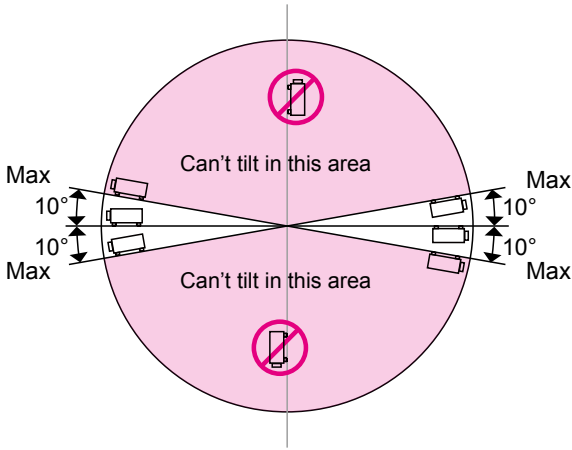
Installing the Projector in Proper Directions

Use the projector properly in specified positions. Improper positioning may shorten the lamp life and result in severe accident or fire hazard.

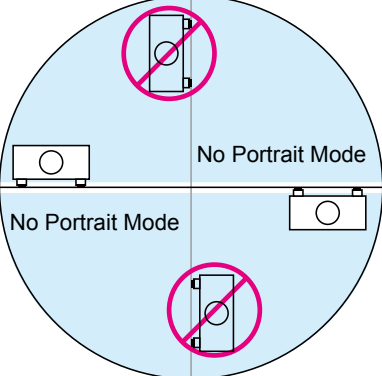
This projector can project the picture in upward, downward, or inclined position in perpendicular direction to the horizontal plane.

Positioning Precautions

Avoid positioning the projector as described below.



- Do not tilt the projector more than 10 degrees from side to side.
- Not allow the projector in upward or downward the projection.



- Do not put the projector on either side to project an image.



CAUTION ON CEILING MOUNTING

For Ceiling mounting, you need the ceiling mount kit designed for the projector. When the projector is not mounted properly, it may fail, causing hazards or injury. For details, please consult you dealer. The warranty dose not cover any damage caused by use of any non-recommended ceiling mount kit or installation of the ceiling mount kit in an improper location.

Compliance

Federal Communications Commission Notice

This equipment has been tested and found to comply with the limits for a Class A digital device, pursuant to Part 15 of FCC Rules. These limits are designed to provide reasonable protection against harmful interference when the equipment is operated in a commercial environment. This equipment generates, uses, and can radiate radio frequency energy and, if not installed and used in accordance with the instruction manual, may cause harmful interference to radio communications. Operation of this equipment in a residential area is likely to cause harmful interference in which case the user will be required to correct the interference at his own expense.

Do not make any changes or modifications to the equipment unless otherwise specified in the instructions. If such changes or modifications should be made, you could be required to stop operation of the equipment.

Canadian Radio Interference Regulations

This Class A digital apparatus meets all requirements of the Canadian ICES-003.

WARNING:

This is a Class A product. In a domestic environment this product may cause radio interference in which case the user may be required to take adequate measures.

AC Power Cord Requirement

The AC Power Cord supplied with this projector meets the requirement for use in the country you purchased it.

AC Power Cord for the United States and Canada:

AC Power Cord used in the United States and Canada is listed by the Underwriters Laboratories (UL) and certified by the Canadian Standard Association (CSA). AC Power Cord has a grounding-type AC line plug. This is a safety feature to be sure that the plug will fit into the power outlet. Do not try to defeat this safety feature. Should you be unable to insert the plug into the outlet, contact your electrician.

AC Power Cord for the United Kingdom:

This cord is already fitted with a moulded plug incorporating a fuse, the value of which is indicated on the pin face of the plug. Should the fuse need to be replaced, an ASTA approved BS 1362 fuse must be used of the same rating, marked thus ASA. If the fuse cover is detachable, never use the plug with the cover omitted. If a replacement fuse cover is required, ensure it is of the same colour as that visible on the pin face of the plug (i.e. red or orange). Fuse covers are available from the Parts Department indicated in your User Instructions. If the plug supplied is not suitable for your socket outlet, it should be cut off and destroyed. The end of the flexible cord should be suitably prepared and the correct plug fitted.

WARNING : A PLUG WITH BARED FLEXIBLE CORD IS HAZARDOUS IF ENGAGED IN A LIVE SOCKET OUTLET.

The Wires in this mains lead are coloured in accordance with the following code:


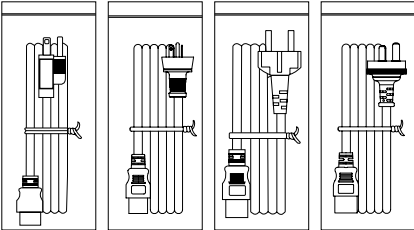
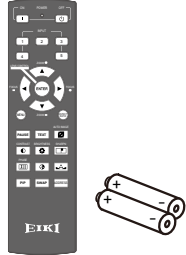
Green-and-yellow Earth
Blue Neutral
Brown Live

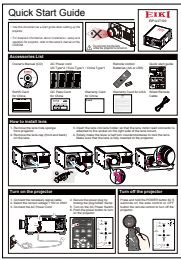
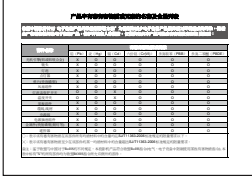

As the colours of the wires in the mains lead of this apparatus may not correspond with the coloured markings identifying the terminals in your plug proceed as follows: The wire which is coloured green-and-yellow must be connected to the terminal in the plug which is marked by the letter E or by the safety earth symbol or coloured green or green-and-yellow. The wire which is coloured blue must be connected to the terminal which is marked with the letter N or coloured black. The wire which is coloured brown must be connected to the terminal which is marked with the letter L or coloured red.


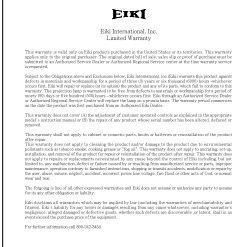
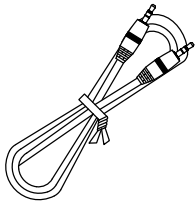
WARNING: THIS APPARATUS MUST BE EARTHED.

THE SOCKET-OUTLET SHOULD BE INSTALLED NEAR THE EQUIPMENT AND EASILY ACCESSIBLE.

Standard Accessories

<p>Owner's Manual (CD)</p>	<p>AC Power cord US Type*2 Euro Type*1 China Type*1</p>	<p>Remote control with batteries (AA or LR6)</p>
		

<p>Quick start guide</p>	<p>RoHS Card for China</p>	<p>QC Pass Card for China</p>
		

<p>Warranty Card for China</p>	<p>Warranty Card for USA</p>	<p>Wired Remote Cable</p>
		

Optional Accessories

Optional Lenses and Projection Size

Six types of motor-powered projection lens can be an option for EIP-UJT100, the projection lenses can cover the throw ratio range from 0.67:1 to 6.96:1.

Complete projection lens series as below table

Lens Type	Zoom Ratio	F#	Focus Length f (mm)	Lens Shift Range		Throw Ratio
				Vertical	Horizontal	
AH-D22010	Fix	F/2.5 in center, F/4.5 in corner	14.6	0%	0%	0.67:1
AH-D22020	Fix	F/2.5 in center, F/4.5 in corner	23.55	-25% ~ +50%	0%	1.12:1
AH-D22030	1.34	F/2.5 in center, F/4.5 in corner	28.94 – 38.95	-25% ~ +50%	±5%	1.39~1.87 : 1
AH-D21010	1.37	F/2.5 in center, F/4.5 in corner	39.0 – 53.43	-25% ~ +50%	±10%	1.87~2.56 : 1
AH-D23010	1.62	F/2.5 in center, F/4.5 in corner	52.4 – 85.3	-25% ~ +50%	±10%	2.56~4.16:1
AH-D23020	1.67	F/2.5 in center, F/4.5 in corner	84.86 – 142.03	-25% ~ +50%	±10%	4.16~6.96:1

Projection Size and Distance

Distance unit : m

Lens Type	AH-D22010		AH-D22020		AH-D22030		AH-D21010		AH-D23010		AH-D23020	
	Inch	Fixed	Fixed	Wide	Tele	Wide	Tele	Wide	Tele	Wide	Tele	
80"	1.2	-	-	-	-	-	-	-	-	-	-	
90"	1.3	-	-	-	-	-	-	-	-	-	-	
100"	1.4	-	-	-	4.0	5.5	-	-	-	-		
120"	1.7	-	-	-	4.8	6.6	-	-	-	-		
150"	2.2	3.6	4.5	6.0	6.0	8.3	-	-	13.4	22.5		
200"	2.9	4.8	6.0	8.1	8.1	11.0	11.0	17.9	17.9	30.0		
250"	-	6.0	7.5	10.1	10.1	13.8	13.8	22.4	22.4	37.5		
300"	-	7.2	9.0	12.1	12.1	16.5	16.5	26.9	26.9	45.0		
350"	-	8.4	10.5	14.1	14.1	19.3	19.3	31.4	31.4	52.5		
400"	-	9.6	12.0	16.1	16.1	22.1	22.1	35.8	35.8	60.0		
450"	-	10.9	13.5	18.1	18.1	-	24.8	40.3	40.3	67.5		
500"	-	12.1	15.0	20.1	-	-	27.6	44.8	44.8	75.0		

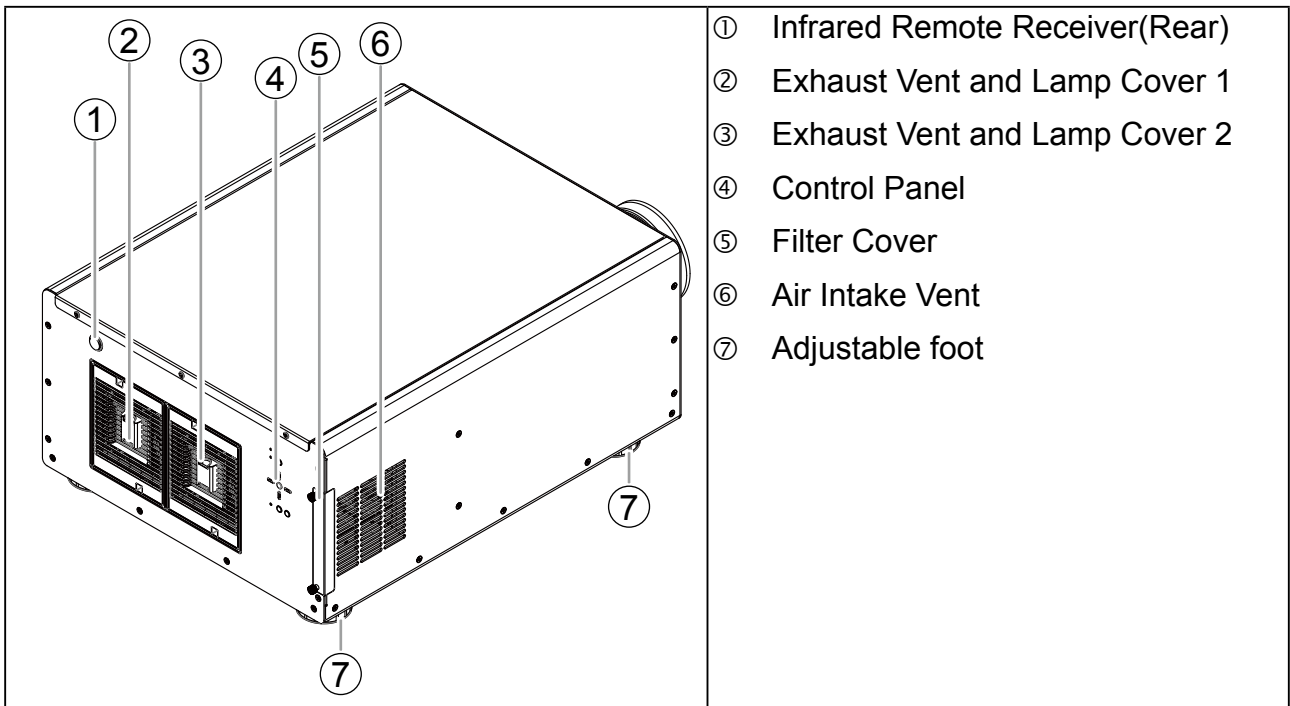
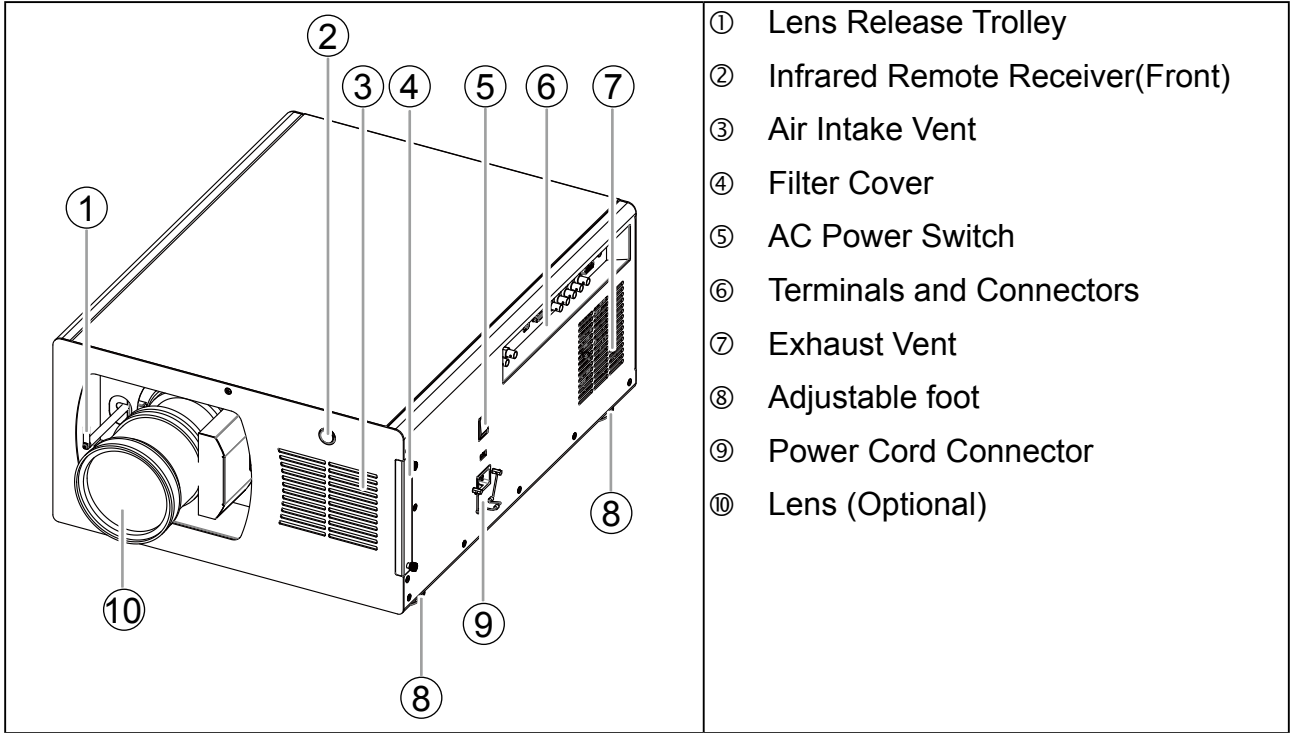
Note:

The values in the tables are approximate and may be slightly different from the actual measurements.

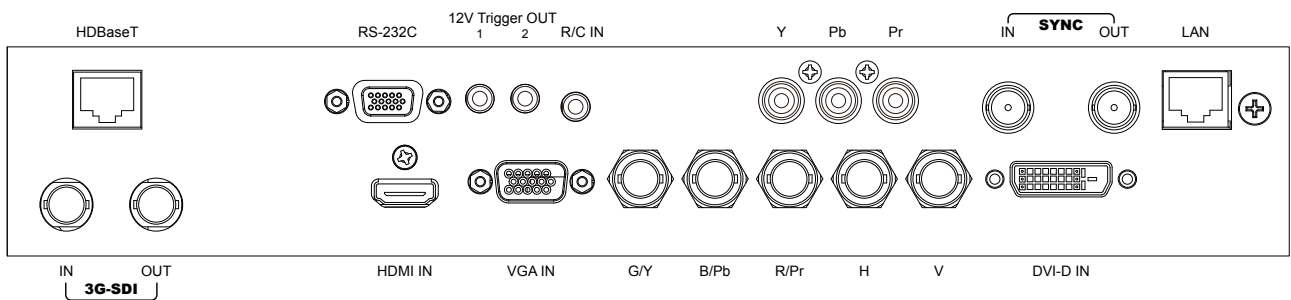
Overview

Projector contents

Part Names and Functions



Terminals and Connectors



- **HDBaseT**

It can support Full HD uncompressed video transmit from image device compatible with HDBaseT. Only supports video format over network cable. Data and sound are not supported.

- **RS-232**

Connect a RS-232(Not supplied) from the computer to the terminal for controlling the projector.

- **12V TRIGGER Out 1 and 2**

The TRIGGER terminal provides 12V (+/-1.5) output for screen control

- **R/C IN**

Connect the wired remote control to this jack with a remote control cable (supplied).

- **Y/Pb/Pr**

Standard and high definition (480i/480p/576i/576p/720p/1080i/1080p) component input, connects to DVD/HD-DVD/BD player, HD set-top-box or other SD/HD input source.

- **SYNC IN / OUT**

IN->From source equipment for informing which field of signal is the Left-eye or Right-eye signal.

OUT->From projector and be connected to the 3D SYNC wireless transmitter for synchronizing the projected picture with the 3D glasses.

- **LAN (10/100 BASE-T)**

Connect the Ethernet cable to the terminals for controlling the projector.

- **3G-SDI IN / OUT**

Input SDI signals to IN and outputs the SDI signals from OUT.

- **HDMI IN**

Connect the HDMI signal from the video device to this terminal.

- **VGA IN**

Connect a computer output (Analog D-sub 15-pin type) to this terminal.

- **5 BNC IN (G/Y, B/Pb, R/Pr, H and V)**

Connect the VGA signals or Y/Pb/Pr signals.

- **DVI-D IN (Dual Link)**

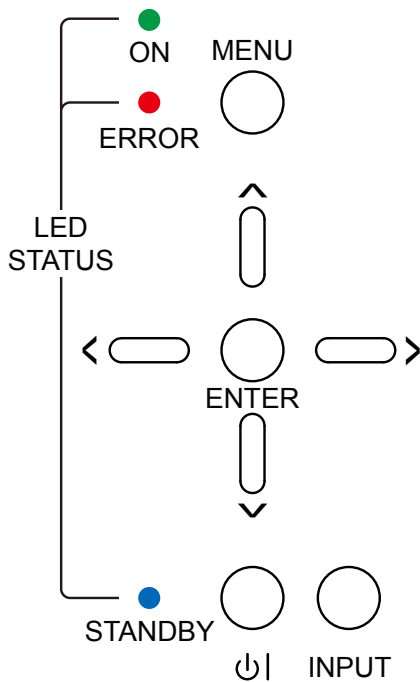
Connect the DVI-D output on the computer to the terminal, the terminal can support to HDCP compatible signal.

Note:

Not supported PIP, Warp, and Edge Blend. Can be connected LAN only.

Control Keys and LED Indicators

Control Keys



- **POWER**
Turn on/off the projector (Press few seconds to off the projector).
- **INPUT**
Select the input source, press the button once to select next source option, the sequence of the source is HDBaseT, HDMI, DVI-D, VGA, Y/Pb/Pr, 5 BNC, 3G-SDI.
- **MENU**
Press the button to open or close the OSD menu.
- **ARROW BUTTONS (▲ ▼ ◀ ▶)**
Use the four buttons to move the cursor on OSD, select the item or adjust the setting
- **ENTER**
Use the button to confirm the changes you made and to show ZOOM/FOCUS OSD. When you press the button again, LENS SHIFT OSD appears.

- **STANDBY (LED-Blue)**
The indicator that shows the projector’s standby status.
- **ON (LED-Green)**
Displays the projector’s power status.
- **ERROR (LED-Red)**
Displays the cause of problem (i.e. temperature, fan, lamp or system) that has led to projector malfunction.

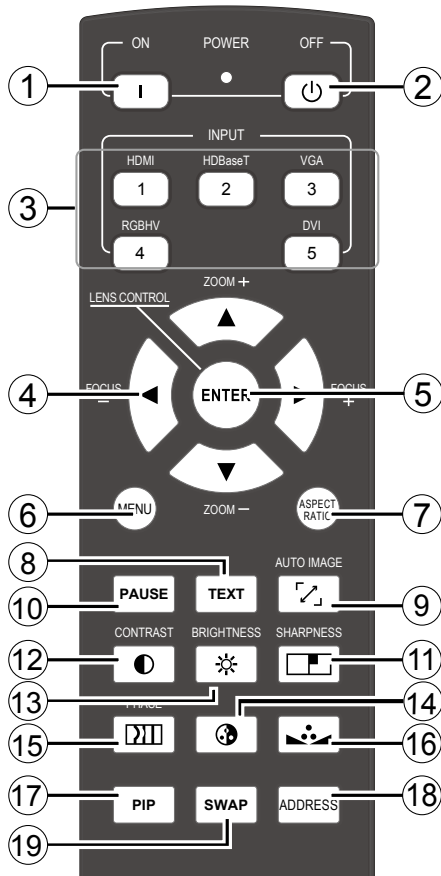
LED Indicators

Standby	Standby		Light on - Blue
ON	Cooling / Warm up		Light flash - Green
	Power on / Normal		Light on - Green
	Time for lamps replacement		Light flash - Green and Blue
ERROR	Lamp fail		Light flash - Red
	Lamp door open		Light flash twice - Red,
	Fan Fail		Light flash 3times - Red
	Over Temperature		Light flash 4times - Red
	System Error		Light on - Red

Remark:

The time period of each step in the above LED blinking pattern is 0.5 second, e.g., for “Cooling / Warm up” state, the green LED will ON for 0.5 second, and then OFF 0.5 second, and then repeat the above LED pattern

Remote Control



1. **ON**
Press a few seconds to power on the projector.
2. **OFF**
Press a few seconds to off the projector
3. **1,2,3,4 and 5**
Hotkeys for different picture source. Factory default setting is below. The settings of hotkeys are changeable. Refer to [Page 54 Button 1~5](#)
1 = HDMI
2 = HDBaseT
3 = VGA
4 = RGBHV, Y/Pb/Pr
5 = DVI (3D DVI)
Note: DVI(3D DVI), Refer to [page 37](#).
4. **▼▲◀▶**
Use these buttons to make your selection or configure, adjust configuration or toggle between picture displays.
5. **ENTER**
*Confirm the OSD change.
*Press 1 time directly
-> show Zoom/Focus OSD.
*Press 2 times directly
-> show Lens shift OSD.
6. **MENU**
Open and close the OSD menu.
7. **ASPECT RATIO**
Select the aspect ratio settings.
8. **TEXT**
When TEXT is set to ON, the user will be able to operate the OSD Menu normally. When TEXT is set to OFF, only ON, OFF, 1~5, SWAP, PIP, PAUSE will function normally; pressing any other buttons will not access the OSD Menu.
9. **AUTO IMAGE**
Resync the picture. (The adjustments also apply to PIP input).
10. **PAUSE (SHUTTER)**
Open/Close the shutter.
11. **SHARPNESS**
Adjust picture sharpness and clarity.
12. **CONTRAST**
Adjust the picture contrast.
13. **BRIGHTNESS**
Adjust the picture brightness.
14. ---
This function not available for this model.
15. **PHASE**
When the picture flickers, doubles, distorts or appears to be wavy, press this button to adjust.
16. ---
This function not available for this model.
17. **PIP**
Use this button to display or disable PIP.
18. **ADDRESS**
Only 2 addresses are possible
Press and hold the ENTER button and press Address button until the remote control panel flashes once (approximately 5 seconds) to change the receiving address of the remote control. If you use one remote control to operate two different projectors, you can assign different address for the two projectors so that when you operate projector A, projector B will not be affected.
19. **SWAP**
Use this button to switch the sources of picture PIP display.

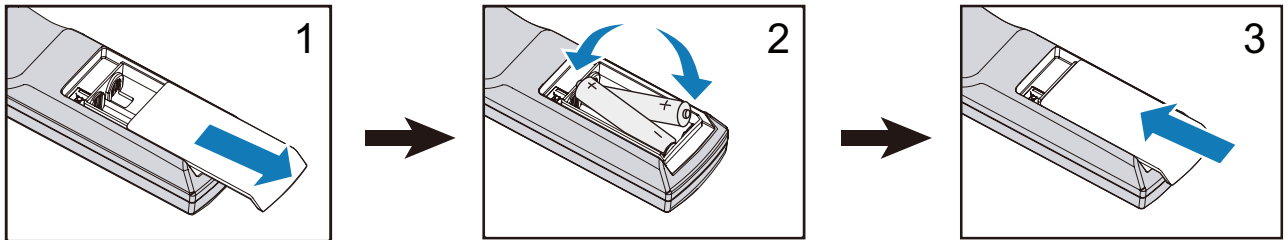
Note:

*In most situations, you can simply point the remote control at the screen which will reflect the IR signal from the remote back toward the IR receiver on the projector. In some cases, however, ambient light may prevent this. If so, try again.

*If the effective range of the remote control decreases, or it stops working, replace the batteries with new ones.

*The remote control may fail to operate if the infrared remote sensor is exposed to bright sunlight or fluorescent lighting.

Remote Control Battery Installation



1. Slide the battery cover to remove it.
2. Install two AA(2) batteries with the correct polarity.
3. Put back the cover.

Note:

*Make sure that the battery polarities are correct when installing the batteries.

*Do not mix an old battery with a new one or different types of batteries.

*Avoid contact with water or liquid.

*Do not expose the remote control to moisture or heat.

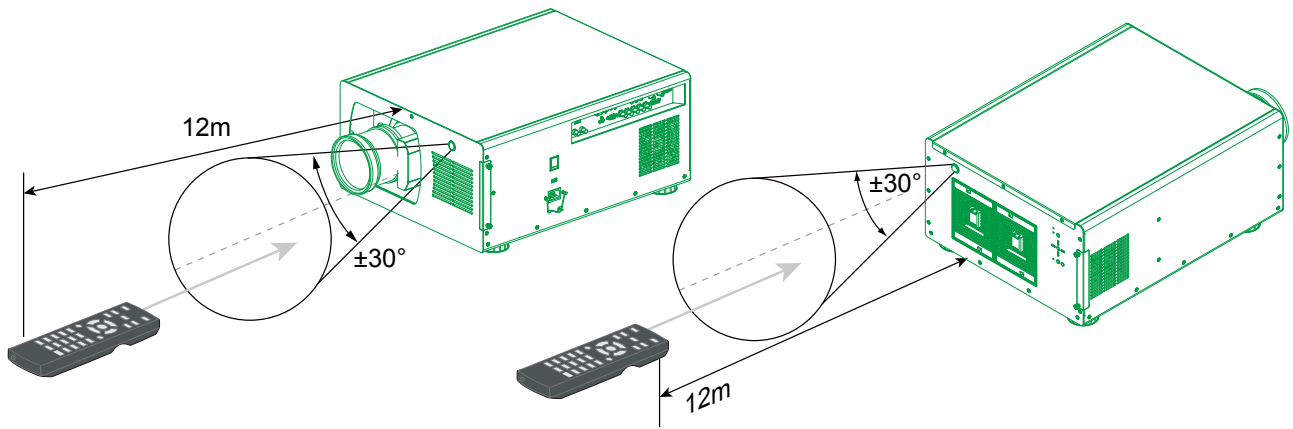
*Do not drop the remote control.

*If you will not use the remote control for a long time, remove the batteries to avoid damage from battery leakage. Please wipe the remote control clean and install new batteries if the battery is leaked.

*Dispose of used batteries according to the instructions or your local disposal rule or guideline.

Remote Control Receivers and Operation Range

Infrared Remote Receivers are provided on the front and rear cover. Point the remote control toward the projector, then press the buttons. Maximum operating range for the remote control is about 12 meters and ± 30 degrees.

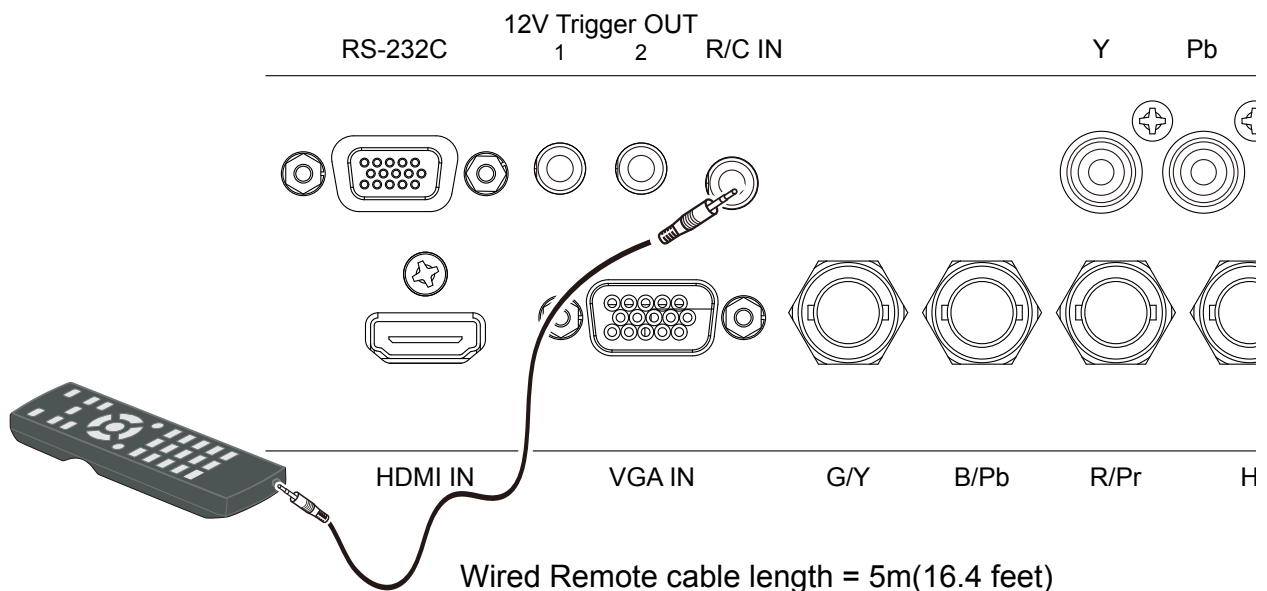


Note:

When hanging the projector from the ceiling, point toward the Infrared Remote Receiver which is located farther away from the fluorescent light.

Wired Remote Control

The remote control can be used as a wired remote control. Wired remote control helps you use the remote control outside the operating range. Connect the remote control and the projector with the remote control cable (supplied). If the remote control is connected to the cable, the remote control does not emit signal.



Installation

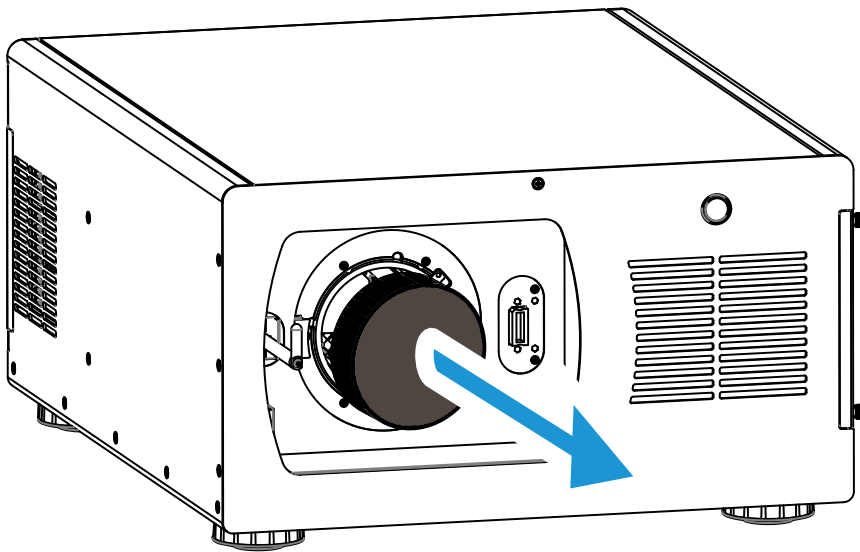
Lens Installation

Before setting up the projector, install Projection Lens on the projector.

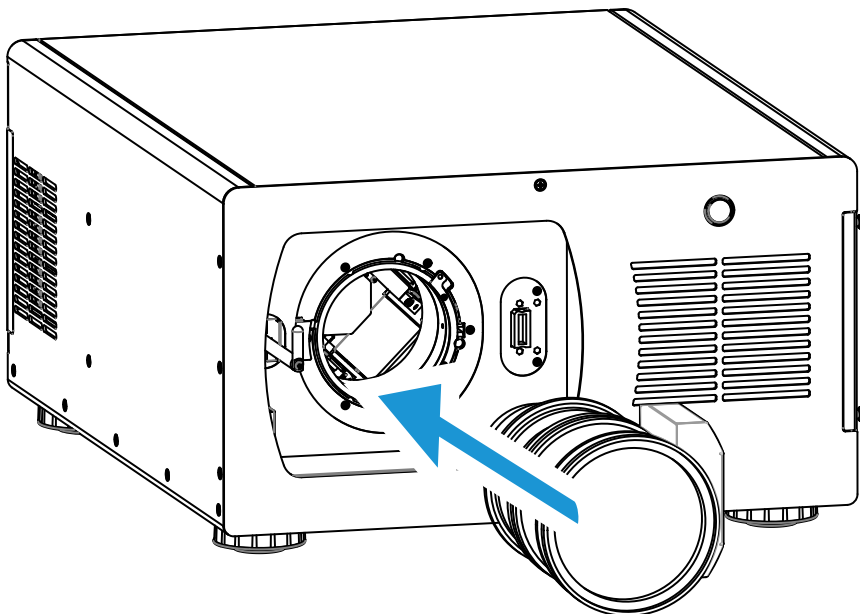
Before installation, check where the projector is used and prepare a suitable lens. For the details, contact the sales dealer where you purchased the projector.

Install and change the projector Lens:

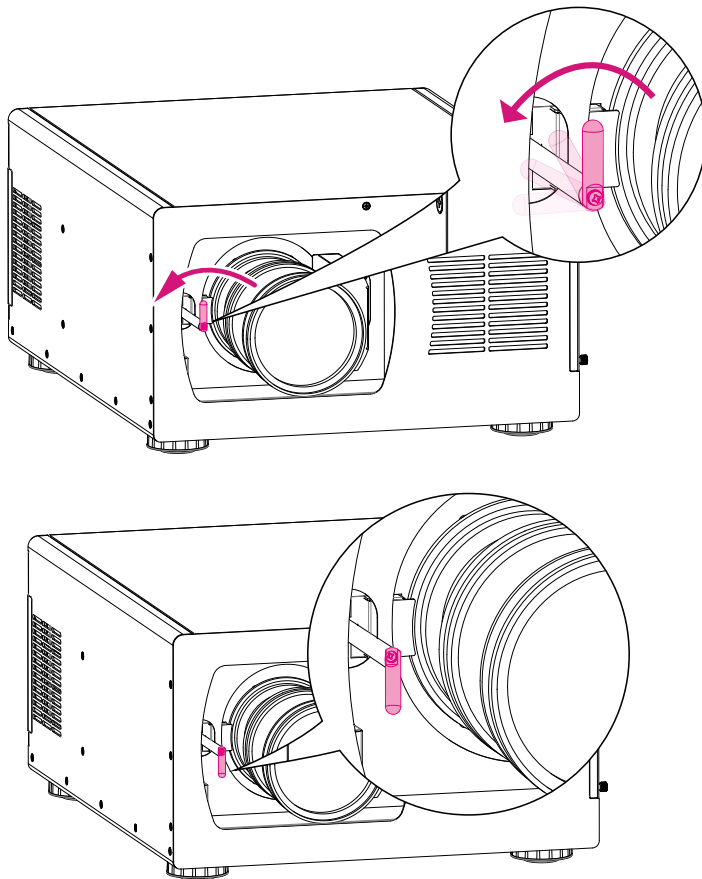
1. Remove the sponge.



2. Insert the lens and ensure the lens touches the lens holder. Carefully the lens motor board must insert into the machine's jack.

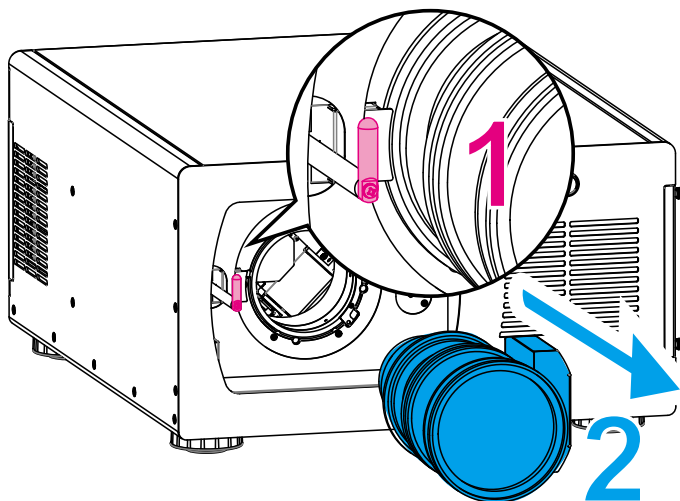


3. Please confirm whether the lens is properly inserted. Then rotate the lever counter-clockwise to lock the lens.



Remove Lens

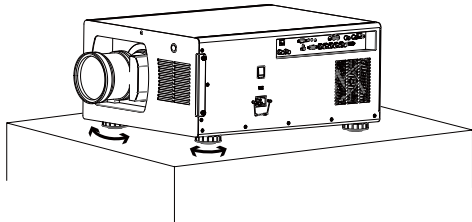
1. Rotate the lever clockwise to unlock the lens then take out the lens.



Positioning Projector

Picture Level and Pitch Adjustment

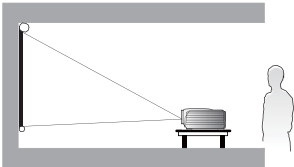
The projection angle is adjustable up to 5 degrees upward and downward respectively by rotating front and rear. To raise the projector, rotate the front feet clockwise, rotate the rear feet clockwise to lower the projector.



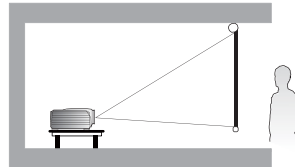
Adjusting the Picture Orientation

This projector is designed to be installed in one of four possible installation locations. Take into consideration the size and position of the screen, the location of a suitable power outlet, rest of equipment. Open the OSD -> ADVANCED -> Rear Projection or Ceiling Mode to the preferred projection setting.

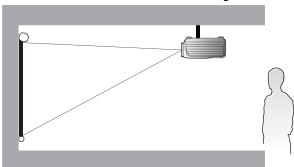
Front : Select this location with the projector placed in front of the screen. This is the most common way to position the projector.



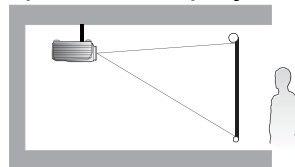
Rear : Select this location with the projector placed behind the screen. Note that a special rear projection screen is required.



Ceiling + Front : Select this location with the projector mounted on the ceiling in front of the screen. Ceiling mount kit is required. Please consult your dealer for more details.



Ceiling + Rear : Select this location with the projector mounted on the ceiling behind the screen. Note that Ceiling mount kit and special rear projection screen are required.



Note:

Ceiling installation must be done by a qualified professional, It is not recommended you install the projector yourself. For more information, please contact your dealer.

Only use the projector on a solid, level surface. Serious injury and damage can occur if the projector is dropped.

Do not cover the vents on the projector. Proper ventilation is required to dissipate heat. Damage to the projector will occur if the vents are covered.

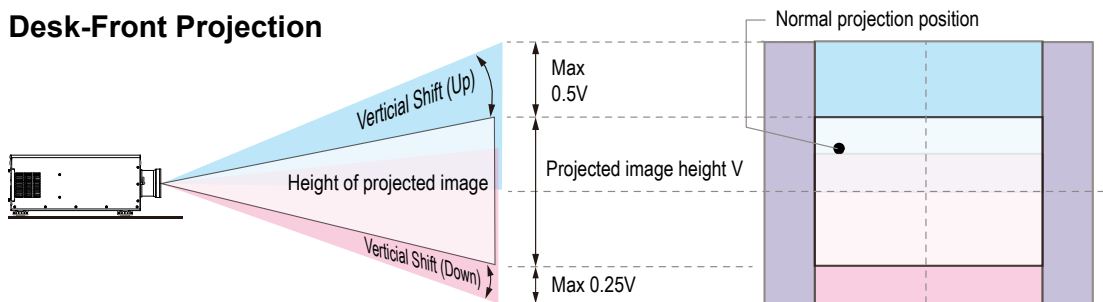
Lens Shift Adjustment

Projection lens can be moved up, down, right and left with the motor-driven lens shift function. This function makes the positioning of images easy on the screen. Lens shift is generally expressed as a percentage of the image height or width, see below illustration

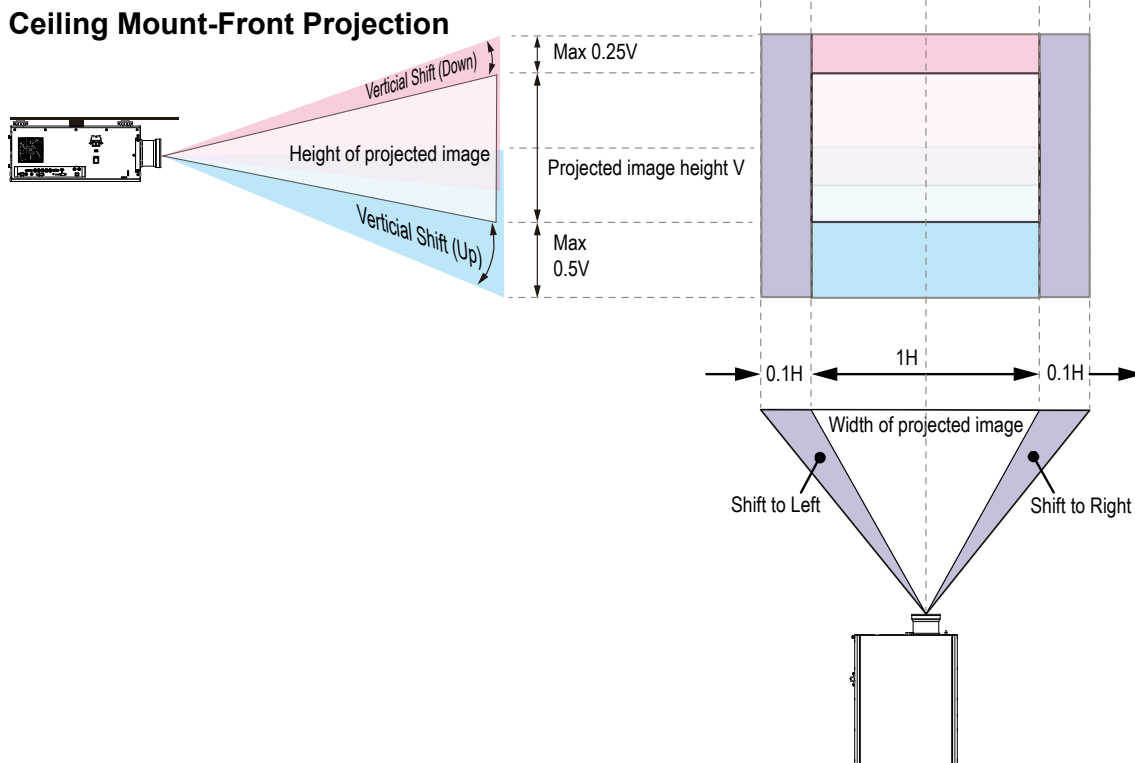
Vertical / Horizontal Lens Shift

- **Vertical:** The lens can be moved 50% (0.5V) upward, and 25% (0.25V) downward. So if the screen height is 50", and use a 80"x50" screen, you can move the image upward no more than 25" or downward no more than 12.5".
- **Horizontal:** The lens can be moved 10% (0.1H) left or Right, If you use a 80"x50" screen, you can move the image left or right no more 8"

Desk-Front Projection



Ceiling Mount-Front Projection



Note:

This is a general example of lens shift. Lenses vary in their shift capabilities. No particular lens or projector is used in this example.

When the lens is shifted beyond the described range of operation, the screen edges may become darker or the images may become out of focus.

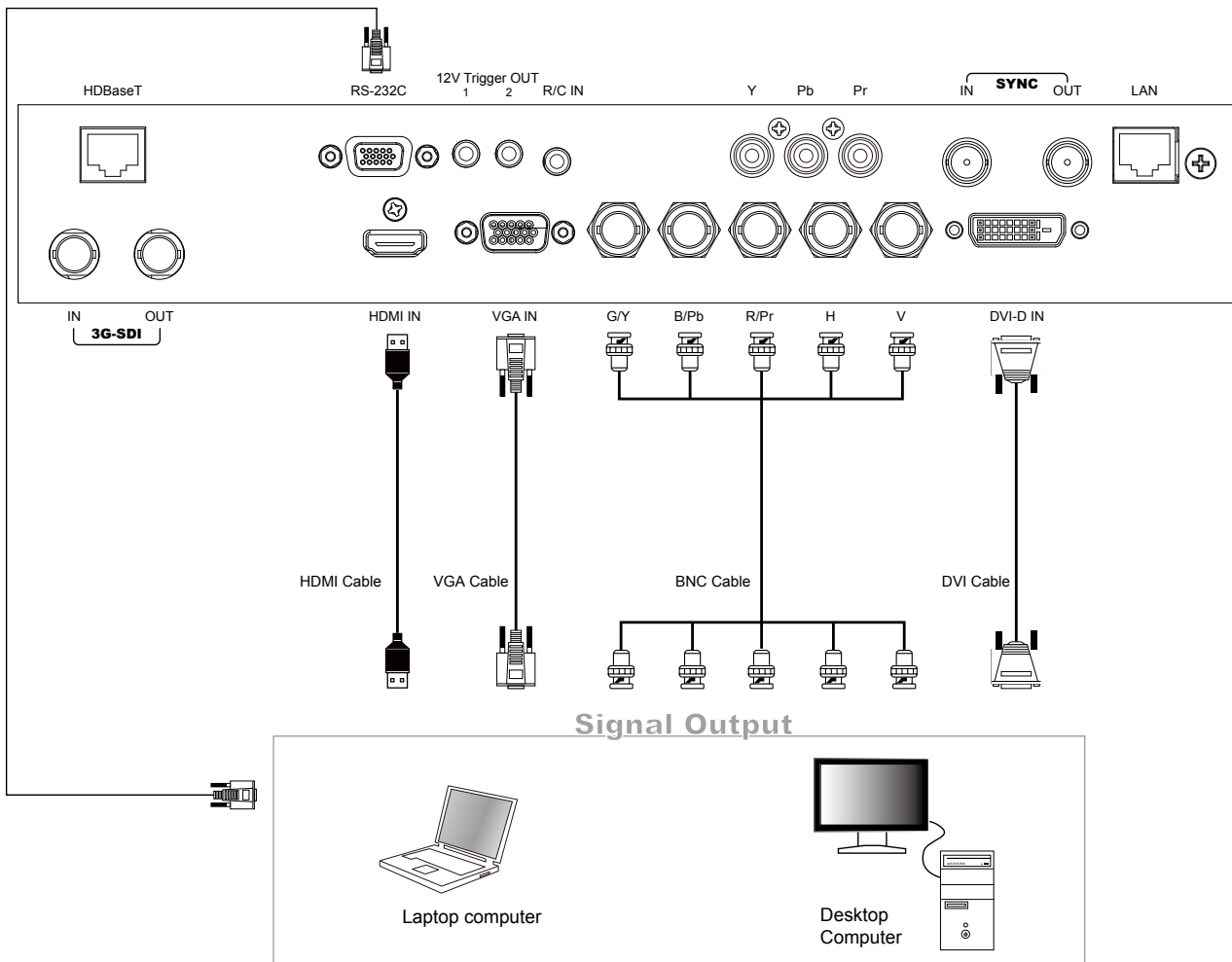
Connecting to Computer Signal

Cables used for connection

- DVI Cable (DVI-D 24 pin)
- BNC Cable(BNCx5)
- VGA Cable (D-Sub 15 pin)
- HDMI Cable (19 pin Type A)
- RS-232C (D-Sub 9pin): Connect a PC or theater control/automation system to the RS-232 port on the projector. Use a standard, 9-pin serial cable, wired straight-through.

NOTE:

Accessories not including the cables of DVI, BNC, VGA, HDMI and RS-232C.



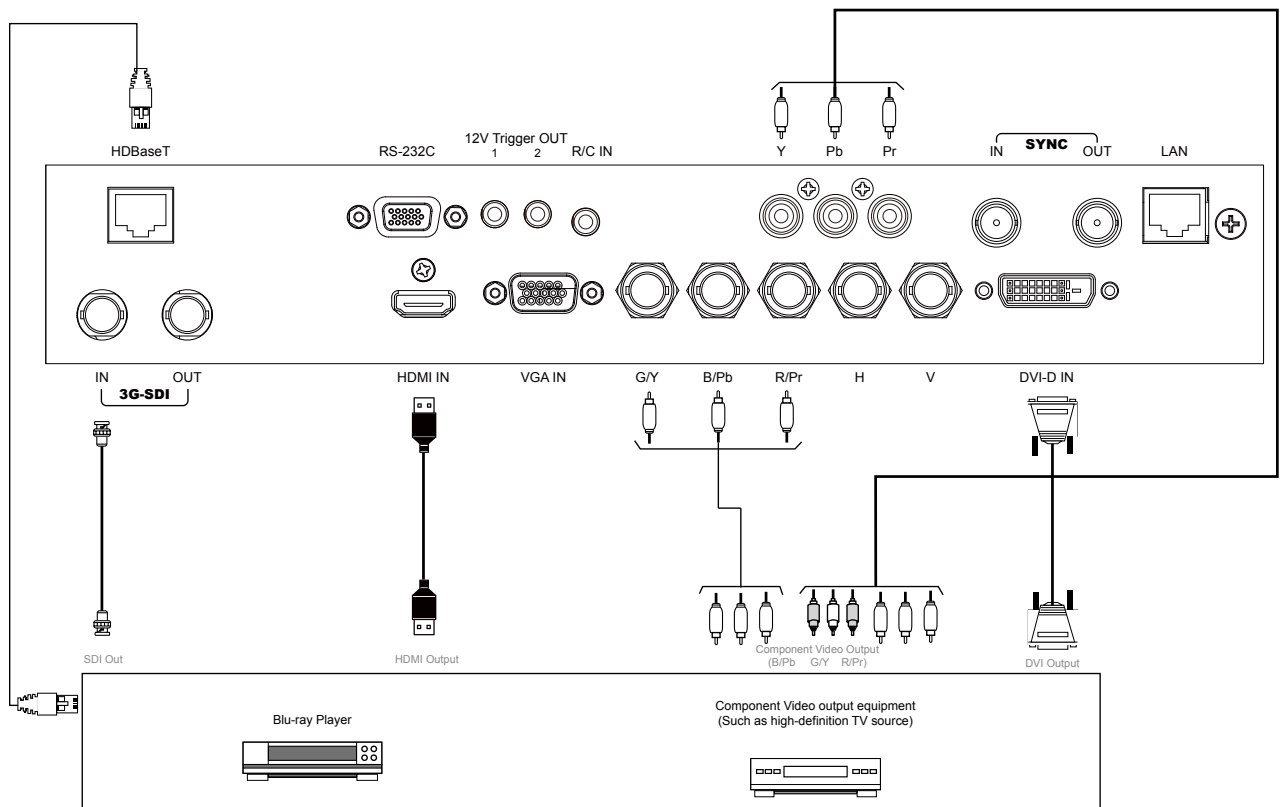
Connecting to Video Signal

Cable used for connection

- HDBaseT (RJ-45 8pin)
- Video Cable (3BNCx1, 5BNCx1)
- DVI Cable (DVI-D 24pin)
- SDI Cable (BNC 1pin)
- HDMI Cable (19pin Type A)

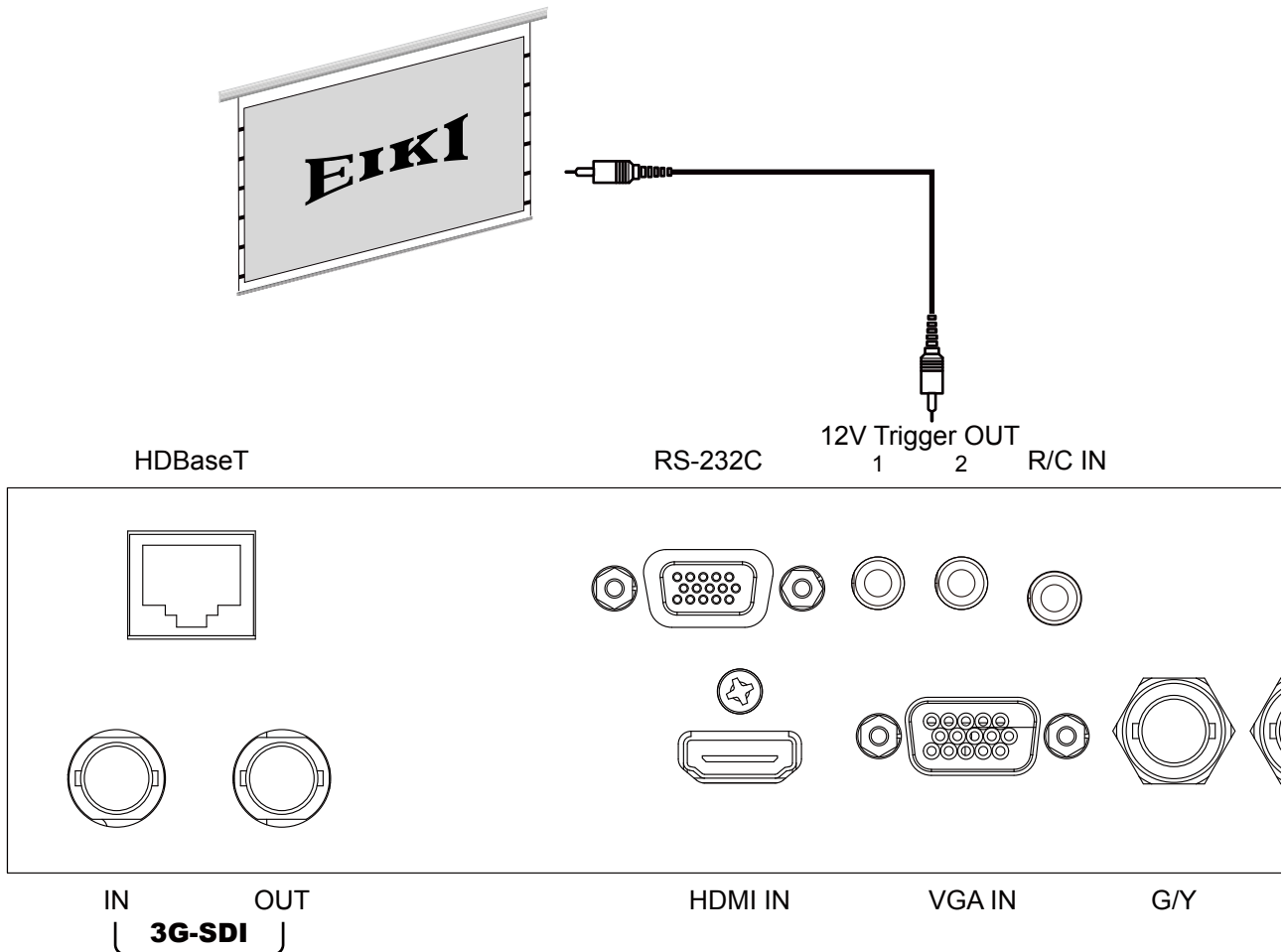
NOTE:

Accessories not including the cables of HDBaseT, Video, DVI, SDI and HDMI.



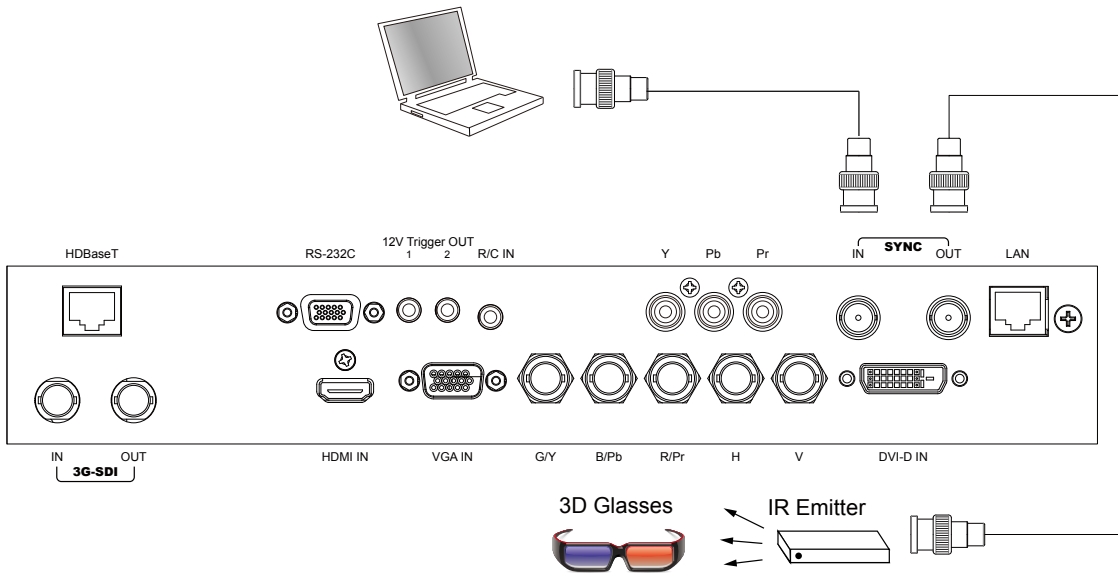
Trigger connection

If your projection system includes a projector screen. Screen cover or other 12V Trigger equipment, please connect such device/equipment to the projector's 12V Trigger output as illustrated. After you have done so, your screen will lower automatically whenever you turn on your projector for your convenience. (Maximum 200mA for Trigger1 or 2)



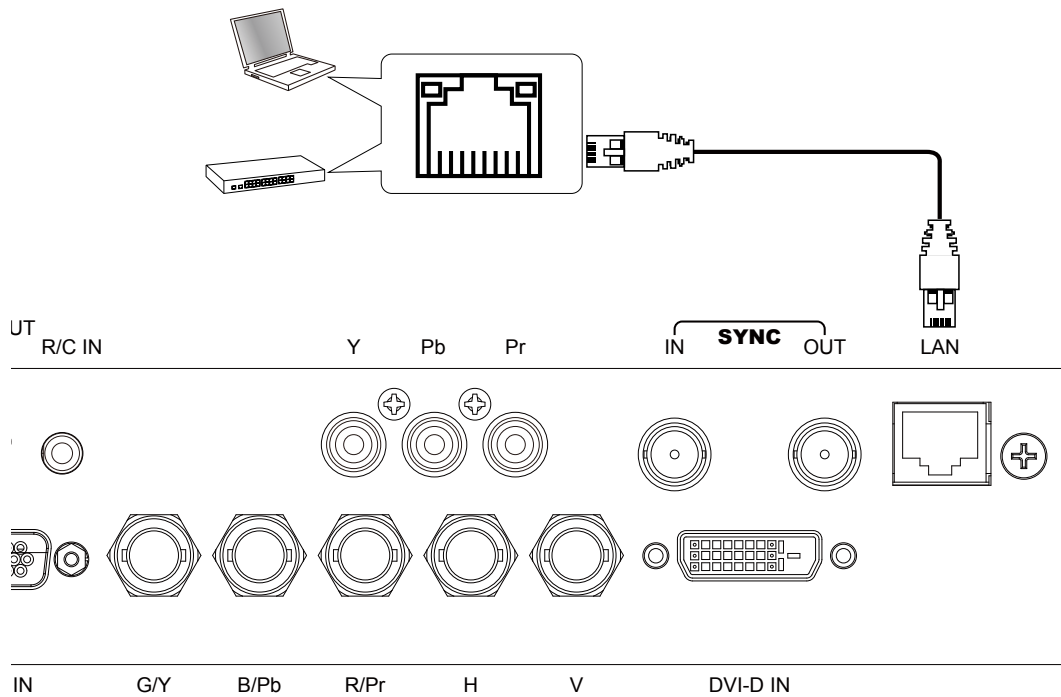
Stereo DVI Connection

Connect the Stereo DVI to a stereo 3D source - it is usually a computer with 3D Graphics card and 3D applications.



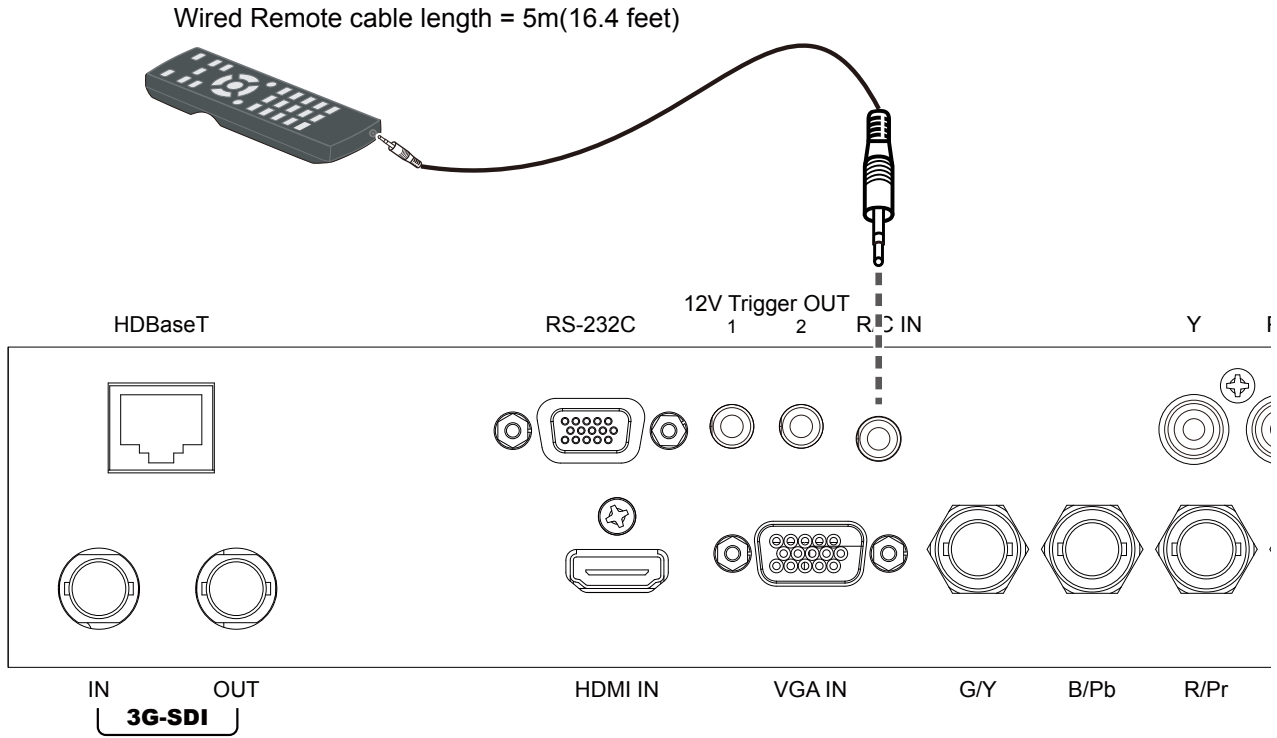
LAN Connection

If you want to control the projector via the internet web. You can use LAN(RJ-45) to connect the computer, server and projector. Key in the correct IP Address or the computer host name which same as the projector's host name then you can remote control the projector by internet.



Connecting to wired remote controller

You can use the remote control as a wired remote control.

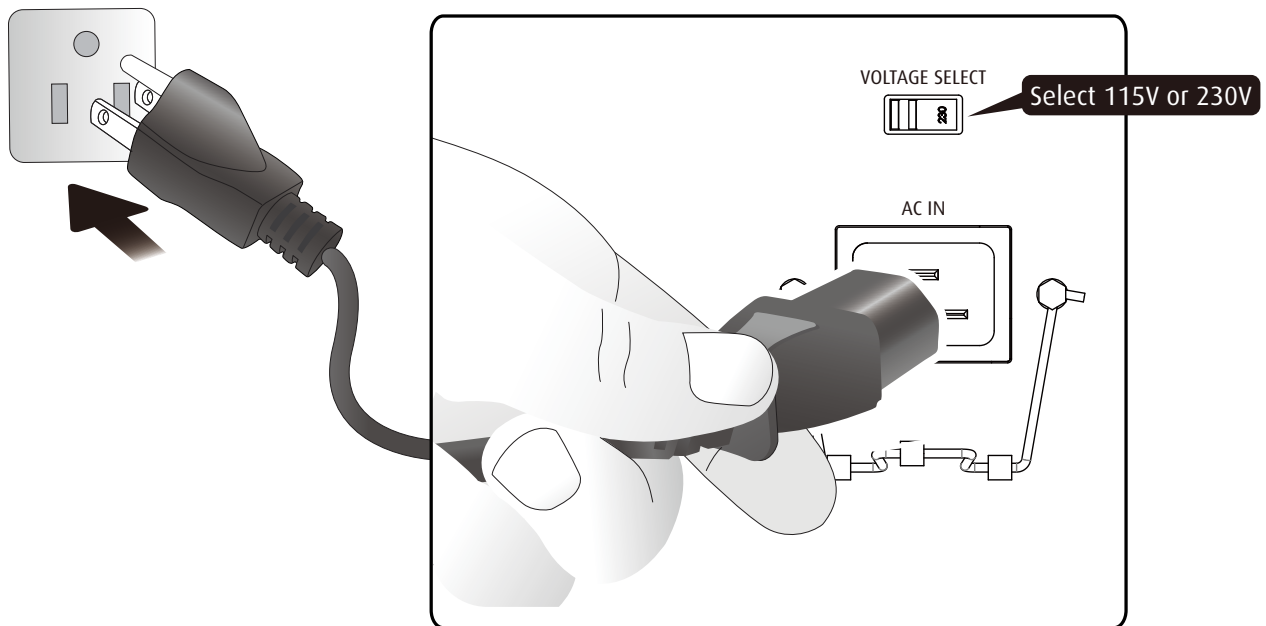


Connecting the AC Power Cord

This projector uses nominal input voltages of 100-240 VAC. It is designed to work with single-phase power systems having a grounded neutral conductor.

1. Connect the necessary signal cable.
2. Select the correct voltage 115V or 230V.
3. Connect the AC Power Cord.
4. Secure the power plug by locking the plug holder clamp.

To reduce the risk of electrical shock, do not plug into any other type of power system. If you are not sure of the type of power being supplied, consult your authorized dealer or service center. Connect the projector with all peripheral equipment before turning on the projector.



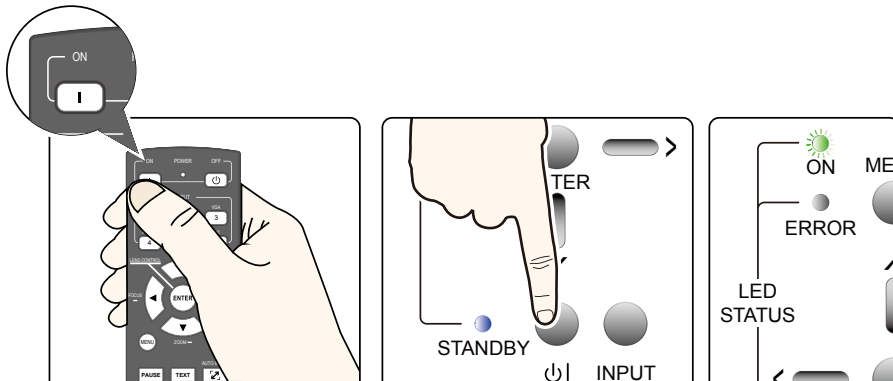
Note:

Unplug the AC power cord or turn off the MAIN ON/OFF Switch when the projector is not in use and the projector is in stand-by mode, it consumes a little electric power.

Basic Operation

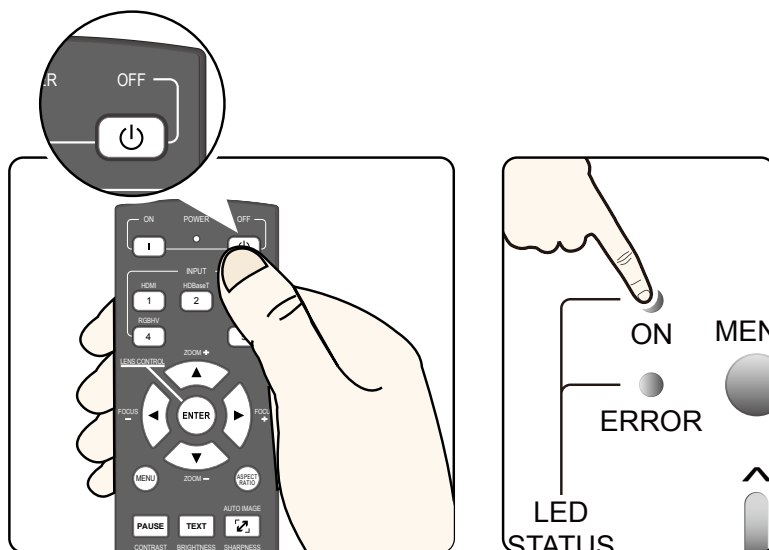
Turning On the Projector

1. Complete peripheral connections (with a computer, Blu-ray Player, etc.) before turning on the projector. 2. Connect the projector's AC power cord into an AC outlet and turn on the MAIN ON/OFF Switch. 3. Press the "POWER" button on the side controller or On button on the remote control. The LAMP indicator flashes green and the cooling fans start to run, it will take few seconds to display the projected image on the screen.



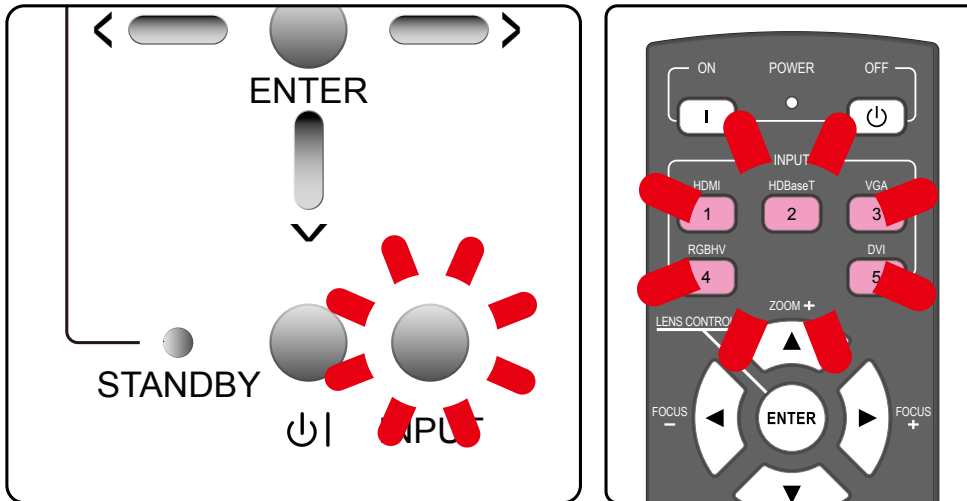
Turn Off the Projector

1. Press and hold the POWER button for 5 seconds on the side control or OFF button the remote control to turn off the projector.
2. If the LAMP indicator lights bright and the POWER indicator turns off. After the projector is turned off, the cooling fans operate. You cannot turn on the projector during this cooling down.
3. When the projector has cooled down enough, the POWER indicator lights green and then you can turn off the MAIN ON/OFF Switch, wait until the projector is completely cooled. Then unplug the AC power cord from the AC outlet.



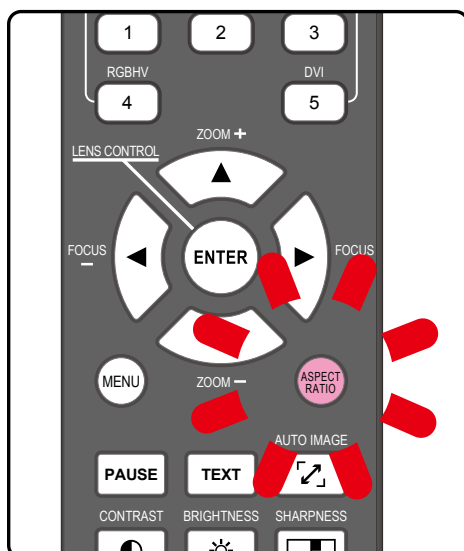
Selecting an Input Source

When you turn on the projector, it switches to the last selected input and waits for a valid signal. Press the “INPUT” on the remote control or control panel to switch to an input source directly. Refer to [page 17 button 1-5](#) for default input setting and these setting are changeable, Refer to [Page 54 Button 1~5](#)



Selecting a Aspect Ratio

Press ASPECT to adjust the aspect ratio of the image. For detail information, refer to [Page 40 Aspect Ratio](#)



How to Operate the OSD Menu

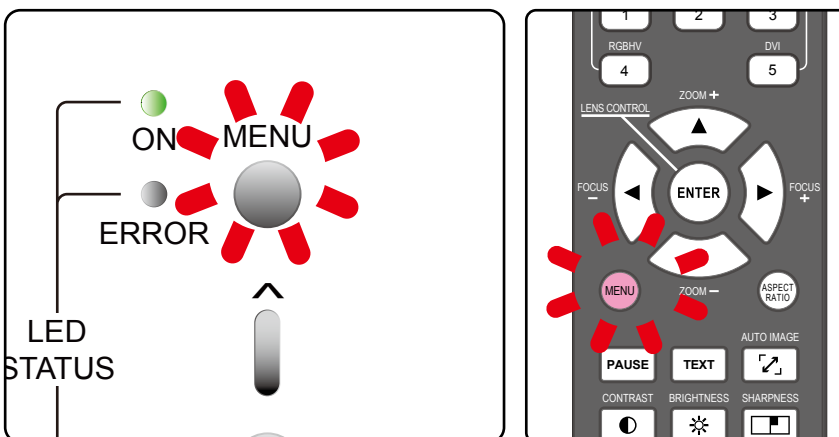
The projector has an On-Screen Display (OSD) that allows you to adjust the image and change settings.

MAIN	Contrast	◀	100	▶
PICTURE	Brightness	◀	100	▶
LAYOUT	Sharpness	◀	100	▶
LAMPS	Noise Reduction	◀	100	▶
ADVANCED	Color Temperature	◀	Native	▶
SYSTEM	Input Balance		Enter	
SERVICE	Aspect Ratio	◀	Unscaled	▶
	Timings		Enter	
	Auto Image		Execute	

OSD Operation

Following steps are a basic way for operating the OSD.

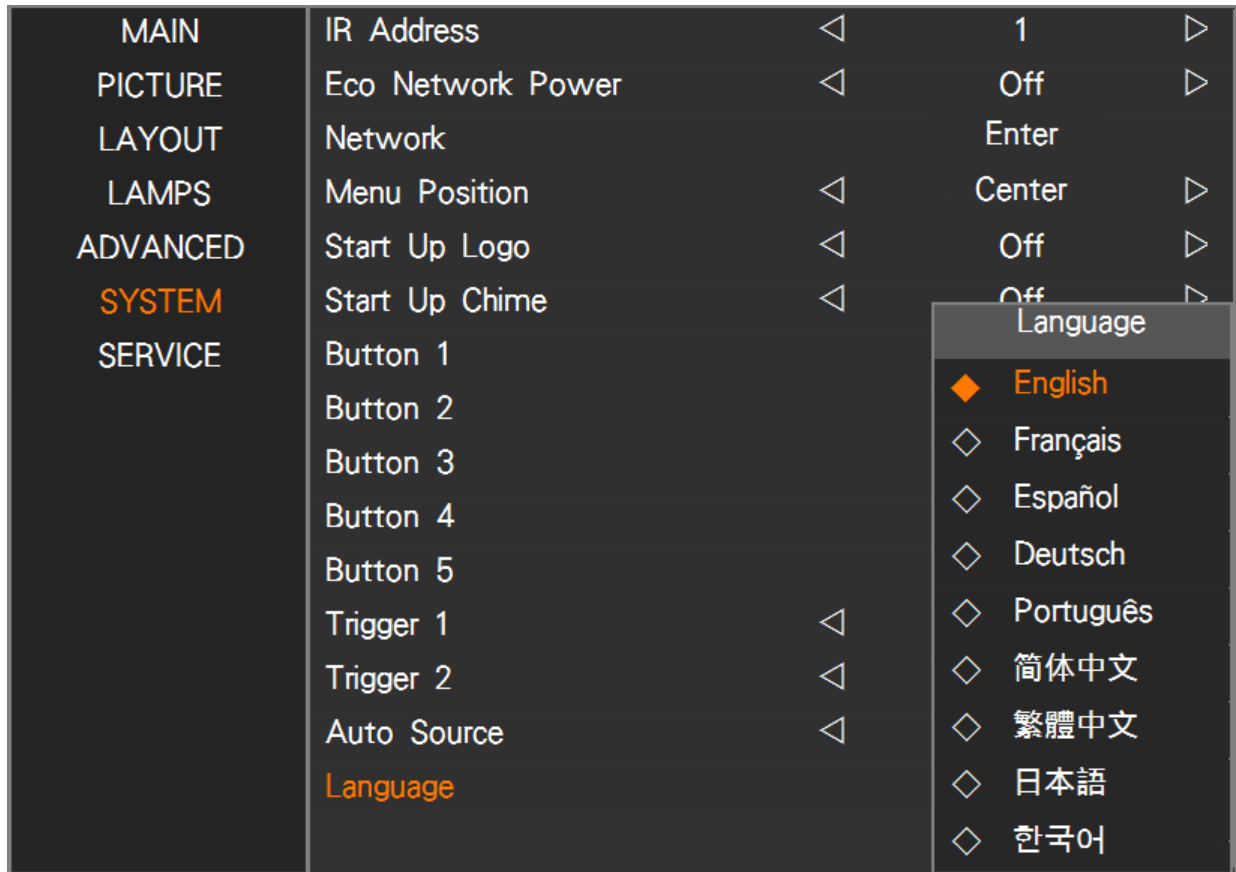
1. Press the MENU button to open the OSD.
2. Press ▲ or ▼ to select a title menu.
3. Press ◀ or ▶ to select an item.
The selected item will be highlighted.
4. Press the Enter, and ▲ or ▼ to change or adjust the selected item.
5. Press the MENU in the moment move to upper menu.



Changing the OSD Language

The product can display the menus in English, French, Spanish, German, Portuguese, Simplify Chinese, Traditional Chinese, Japanese or Korean.

Press the “MENU” to open the OSD. Go to SYSTEM and select Language then press the Enter. You can select a language there.



OSD Tree

Main Menu	Sub-menu	
MAIN	Input Selection	HDMI
		HDBaseT
		VGA
		Y/Pb/Pr
		RGBHV, Y/Pb/Pr
		3G-SDI
		3D DVI
	Color Space	Auto
		REC709
		REC601
		RGB-PC
		RGB-Video
	Input Locking	Auto
		48Hz
		50Hz
		60Hz
	Auto Power Off	On
		Off
	Auto Power On	On
		Off
	No Signal	Logo
		Blue
		Black
		White
Auto Image Adjust	Off	
	Auto	
	Always	

Main Menu	Sub-menu	
PICTURE	Contrast	0-200
	Brightness	0-200
	Sharpness	0-200
	Noise Reduction	0-200
	Color Temperature	3200K
		5400K
		6500K
		9300K
	Input Balance	Black Balance Offset
		Red Offset
		Green Offset
		Blue Offset
		White Balance
		Red Gain
		Green Gain
	Blue Gain	
	Aspect Ratio	5:4
4:3		
16:10		
16:09		
1.88		
2.35		
Letterbox		
Native		
Unscaled		
Timings	H Total	
	H Start	
	H Phase	
	V Start	
Auto Sync	Execute	
LAYOUT	Overscan	Off
		Crop
		Zoom
	Main Select	HDMI
		HDBaseT
		VGA
		Y/Pb/Pr
		RGBHV, Y/Pb/Pr
		3G-SDI
	PIP Select	HDMI
		HDBaseT
		VGA
		Y/Pb/Pr
		RGBHV, Y/Pb/Pr
		3G-SDI
PIP Position	Top Left	
	Top Right	
	Bottom Left	
	Bottom Right	
	Split L-R	
PIP	On	
	Off	

Main Menu	Sub-menu	
LAMPS	Power	ECO
		Normal
		Custom Level
	Mode	Single
		Dual
	High Altitude	On
		Off
	Custom Power Level	78.3%~100%
	Lamp1 Status	On / Off
Lamp2 Status	On / Off	
Lamp1 Run Time	XX HRS	
Lamp2 Run Time	XX HRS	
ADVANCED	Rear Projection	On
		Off
	Ceiling Mode	On
		Off
	Lens Control	Zoom / Focus
		Shift H/V
	Dynamic Contrast	On
		Off
	Gamma	1.8
		2.0
		2.2
		2.35
		2.5
		DICOM SIM.
	Test Pattern	Color Bar
		Cross hatch
		Half scanning
		Red
		Green
		Blue
		White
		Black
		Red
		Green
		Blue
		Gray Scale
		Color Gamut
EBU		
SMPTE		
Custom		

Main Menu	Sub-menu	
ADVANCED	Custom Color Gamut	Red x
		Red y
		Green x
		Green y
		Blue x
		Blue y
		Cyan x
		Cyan y
		Magenta x
		Magenta y
		Yellow x
		Yellow y
		White x
		White y
	Reset	
	Center Lens	Execute
	Warp	Keystone
		Rotation
		Pincushion / Barrel
		Top Left Corner
		Top Right Corner
		Bottom Left Corner
	Bottom Right Corner	
	Reset	
	Blanking	Top
		Bottom
		Left
Right		
Reset		
Edge Blending	Status	
	White Level	
	Black Level	
	Reset	
Adjust Lines		

Main Menu	Sub-menu	
SYSTEM	IR Address	1
		2
	Eco Network Power	On
		Off
	Network	Network Status
		IP Address
		Subnet Mask
		Gateway
		DHCP
		Network Setting
		IP Address
		Subnet Mask
		Gateway
		DHCP
	Menu Position	Top Left
		Top Right
		Bottom Left
		Bottom Right
		Center
	Start Up Logo	On
		Off
	Start Up Chime	On
		Off
	Button 1	HDMI
		HDBaseT
		VGA
		Y/Pb/Pr
		RGBHV, Y/Pb/Pr
		3G-SDI
		3D DVI
	Button 2	HDMI
		HDBaseT
		VGA
		Y/Pb/Pr
		RGBHV, Y/Pb/Pr
		3G-SDI
		3D DVI
	Button 3	HDMI
		HDBaseT
		VGA
		Y/Pb/Pr
		RGBHV, Y/Pb/Pr
3D DVI		
Button 4	HDMI	
	HDBaseT	
	VGA	
	Y/Pb/Pr	
	RGBHV, Y/Pb/Pr	
	3G-SDI	
	3D DVI	

Main Menu	Sub-menu	
SYSTEM	Button 5	HDMI
		HDBaseT
		VGA
		Y/Pb/Pr
		RGBHV, Y/Pb/Pr
		3G-SDI
		3D DVI
	Trigger 1	Auto
		5:4
		4:3
		16:10
		16:09
		1.88
		2.35
		Letterbox
		Native
		Unscaled
	Trigger 2	Auto
		5:4
		4:3
		16:10
		16:09
		1.88
2.35		
Letterbox		
Native		
Unscaled		
Auto Source	On	
	Off	
Language	English	
	Français	
	Español	
	Deutsch	
	Português	
	简体中文	
	繁體中文	
	日本語	
	한국의	
SERVICE	Model	
	Serial Number	
	Software Version	
	Active/PIP Source	
	Pixel Clock	
	Signal Format	
	H/V Refresh Rate	
	Lamp 1 Run Time	x HRS
	Lamp 2 Run Time	x HRS
	Lamp Hour Reset	Reset Lamp 1 Reset Lamp 2
	Projector Run Time	
	Blue Only	On
		Off
	Factory Reset	

OSD Operation-MAIN

MAIN	Input Selection		Enter	
PICTURE	Color Space	◀	Auto	▶
LAYOUT	Input Locking	◀	Auto	▶
LAMPS	Auto Power Off	◀	On	▶
ADVANCED	Auto Power On	◀	On	▶
SYSTEM	No Signal	◀	Logo	▶
SERVICE	Auto Image Adjust	◀	Always	▶

Input Selection

You can select an input source.

- **HDMI:** HDMI input.
- **HDBaseT:** HDBaseT input.
- **VGA:** Analog RGB.
- **Y/Pb/Pr:** YPbPr input.
- **RGBHV, Y/Pb/Pr:** Analog RGB / Component.
- **3G-SDI:** Uncompressed digital video from a serial connection (coaxial)
- **DVI-D (3D DVI):** Use this DVI dual link to connect to a stereo 3D source – it is usually a computer with 3D Graphics card, and 3D applications.

Below information is the DVI-D (3D DVI) format:

Signal Type	Resolution	Frame rate	DVI single-link	DVI dual-link	3D	Reference
PC	1920x 1080	120Hz		V	V	
	1920x 1080	100Hz		V	V	
	1920x1200	120Hz		V	V	Reduced Blanking
	1920x1200	100Hz		V	V	Reduced Blanking
	1920x 1080	60Hz	V			
	1920x1200	60Hz	V			Reduced Blanking

Note:

Signals are not supported for EIP-UJT100, if it is not in the table.

Color Space

This function allows you to change component and VGA input sources. You can select different color space for different color performance.

- **Auto:** The default setting is Auto.

HDMI: If the Auxiliary Video Information (AVI) contains color space and/or range data, the EIP-UJT100 uses that information to switch to corresponding color space.

RGB: If Hsync or Vsync signals are present, the projector will switch to RGB-PC color space.

Component: For SDTV and EDTV resolutions, the EIP-UJT100 uses the REC601 color space. For all other resolutions REC709 is used.

In most cases, the Auto setting determines the correct color space. If it does not, you can use a specific color space. Choose one of the following:

- **REC709:** sets the color space matrix to that defined in ITU-R BT.709.
- **REC601:** sets the color space matrix to that defined in ITU-R BT.601.
- **RGB-PC:** uses RGB color space and sets black at 0,0,0 RGB and white at 255,255,255 RGB, assuming an 8-bit image.
- **RGB-Video:** uses RGB color space and sets black at 16,16,16 RGB and white at 235,235,235, assuming an 8-bit image, to correspond to the luminance values defined in digital component standards.

Input Locking

Use this function to lock a source to an internal sync signal (Auto, 48Hz, 50Hz, or 60Hz). Auto setting locks the sync signal to the current source.

Auto Power Off

The default value is OFF. If you set it ON, the projector will automatically shut down after 20 minutes without input signal.

Auto Power On

The default value is Off. If you set it to ON, the projector will automatically start up when it is connected to the AC power.

No Signal

Use this function to specify the content or color to be displayed on the blank screen when no input signal is available. You can choose from Logo, Blue, Black, White. The default value is Logo.

Auto image Adjust

Set the timing of the Auto image Adjust function for(Resync on [page 41](#)) below 3 modes:

- **Off:** Auto image function is not executed.
- **Auto:** Use the parameters that users used last time.
The adjusted parameters are stored in the projector, 5 resolution data for each digital and analog inputs. If there is no record of parameters, auto image function will be executed.
- **Always:** Auto image function is executed automatically when the input source is selected.

OSD Operation-PICTURE

MAIN	Contrast	◀	100	▶
PICTURE	Brightness	◀	100	▶
LAYOUT	Sharpness	◀	100	▶
LAMPS	Noise Reduction	◀	100	▶
ADVANCED	Color Temperature	◀	Native	▶
SYSTEM	Input Balance		Enter	
SERVICE	Aspect Ratio	◀	Unscaled	▶
	Timings		Enter	
	Auto Image		Execute	

Contrast

Use ◀ or ▶ to adjust the contrast of the projected image. Adjustable value: 0 to 200.

Note:

Brightness and Contrast controls are interactive. The screen change to one may require a subtle change to the other in order to achieve the optimum setting.

Brightness

Use ◀ or ▶ to adjust the level of black in the image to increase or decrease image brightness. Adjustable value: 0 to 200.

Sharpness

Use ◀ or ▶ to adjust the adjustment of sharpness primarily changes the value of high frequency detail. Adjustable value: 0 to 200.

Noise Reduction

Use ◀ or ▶ to adjust the noise of the projected image. This function is suitable for the elimination of image noise from interleaving SD input. Generally speaking, reducing image noise will lower the value of high frequency detail and make the image appear more mellow. Adjustable value: 0 to 200.

Color Temperature

Use ◀ or ▶ to adjust the color temperature 3200K, 5400K, 6500K, 9300K or Native of the projected image.

This refers to the control of color imbalance in the darker areas of the projected image. It is recommended that you use an external test image with many areas of dark and gray colors (i.e. an image of 30IRE-window). If you notice minimal amount of red, green or blue in the gray areas, adjust the offset of the corresponding color accordingly. This function will shift the entire color spectrum for the whole image and change its brightness.

Input Balance

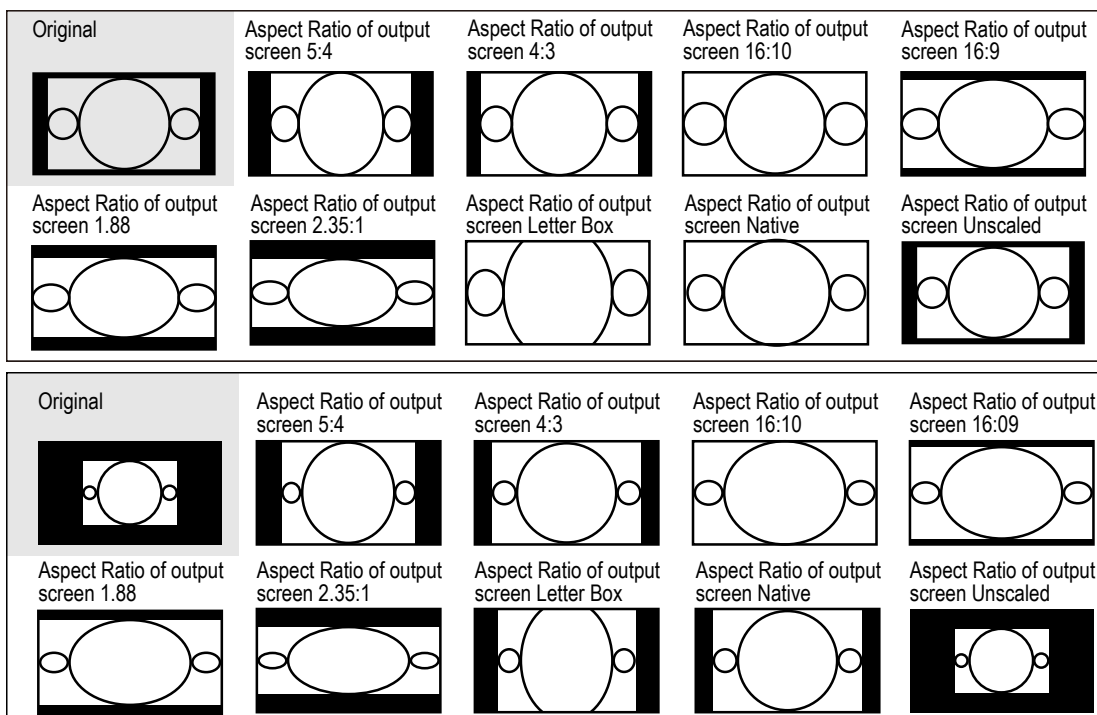
To adjust Black and White balance.

Black Balance : Adjust R/G/B color offset of image that will control dark areas.
 White Balance : Adjust R/G/B color gain of image that will control bright areas.

Aspect Ratio

This function allows user to adjust the picture's Aspect ratio.

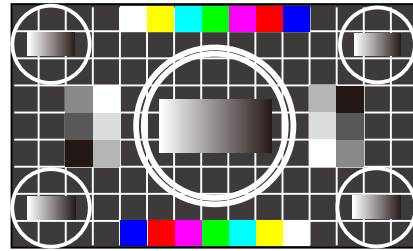
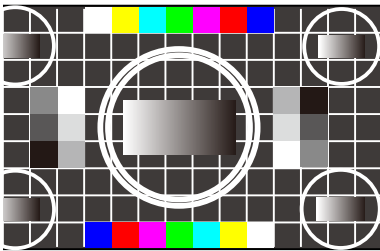
When Native input is 16:10, the images as following is the result of picture's aspect ratio for your preference.



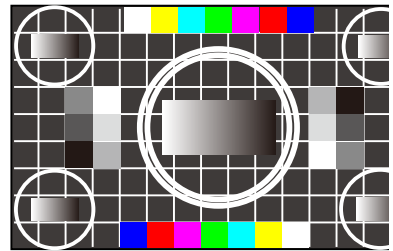
Timings

- **H Total:** Use ◀▶ to adjust the horizontal total.
Use this function to adjust the clock frequency of pixel sampling (horizontal pixel frequency of the analog input source generated by the ADC). If you notice flickering or vertical lines in the picture, it means that the pixel sampling frequency is insufficient. You can use this function to adjust the frequency to achieve consistent picture quality.
- **H Start:** Use ◀▶ to adjust the projected picture's horizontal position.
If the projected picture is not at the center of the screen (i.e. shifted to right or left) and ends up being cropped, use this function to adjust the picture's horizontal position. The following picture is an example of test picture from an external signal source:

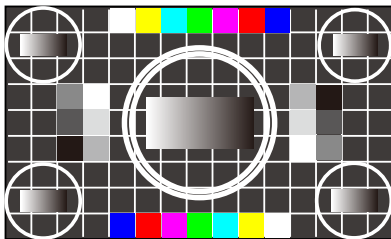
Left



Right



- **H Phase:** Use ◀▶ to adjust the projected picture's phase.
Use this function to adjust the phase of pixel sampling clock (relative to input signal). Should the picture still flicker or show noise (i.e. edges on texts) after optimization, adjust phase accordingly.
- **V Start:** Use ◀▶ to adjust the projected picture's vertical position. If the projected picture is not at the center of the screen (i.e. shifted up or down) and ends up being cropped, use this function to adjust the picture's vertical position.



Up



Down



It is recommended that when adjusting the picture, the horizontal total should be adjusted before the horizontal phase. However, if the picture still flickers even after you have adjusted both, try lowering the picture noise.

Note:

H Total and H Phase only support for Analog signal (Y/Pb/Pr, VGA, BNC). Can't adjust when the input is Digital signal

Auto Image

When Auto Image was selected, press ENTER to execute the automatic picture adjustment function.

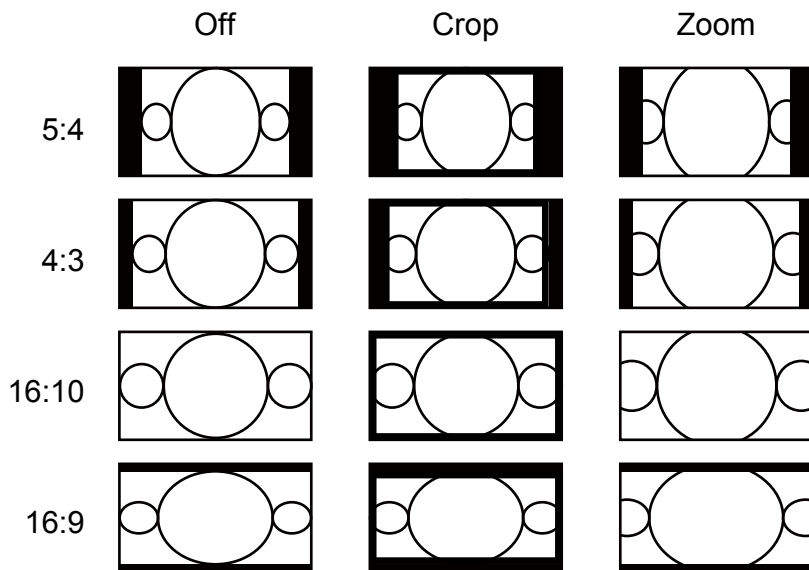
By executing this function, the projector will resync the picture. Use this function when the picture source is unstable or when you notice deterioration in picture quality and the projector will automatically adjust the picture size, phase and timing. (The adjustment also applies to PIP input source).

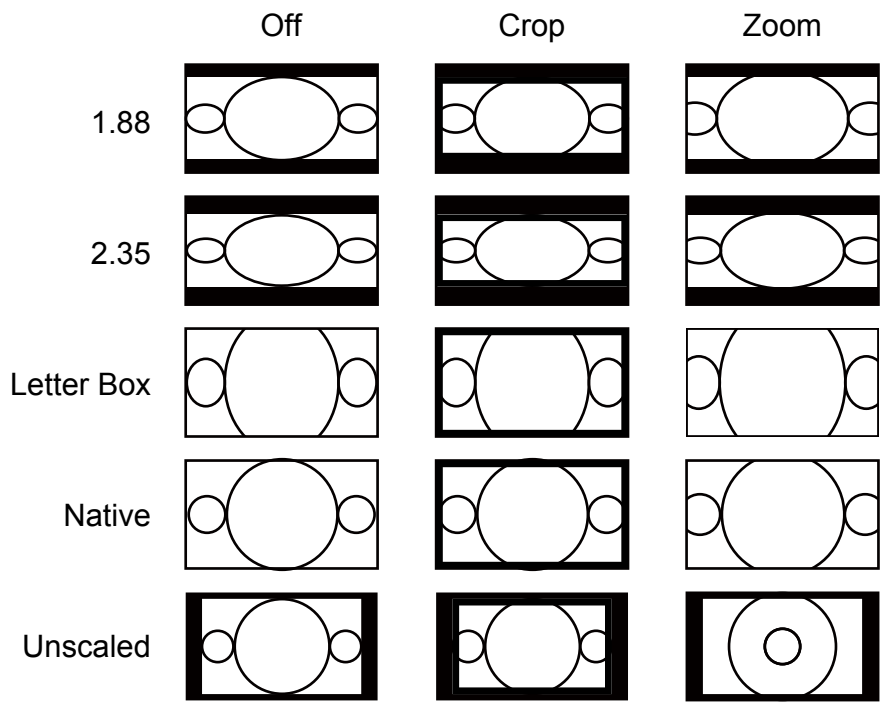
OSD Operation-LAYOUT

MAIN	Over Scan	◀	Off	▶
PICTURE	Main Select		Enter	
LAYOUT	PIP Select		Enter	
LAMPS	PIP Position	◀	Top Left	▶
ADVANCED	PIP	◀	Off	▶
SYSTEM				
SERVICE				

Overscan

Some programs may display the edges of the image. Use this function to hide the edge by choosing one of the following two options.





Main Select

When you want to project PIP picture, use this function to specify the picture source for the PIP picture. This function is identical to Input Selection; for more information.

Source		Main					
		HDMI	HDBaseT	VGA	Y/Pb/Pr	RGBHV, Y/Pb/Pr	3G-SDI
PIP (SUB)	HDMI	-	-	v	v	v	-
	HDBaseT	-	-	v	v	v	-
	VGA	v	v	-	-	-	v
	Y/Pb/Pr	v	v	-	-	-	v
	RGBHV, Y/Pb/Pr	v	v	-	-	-	v
	3G-SDI	-	-	v	v	v	-

Note:

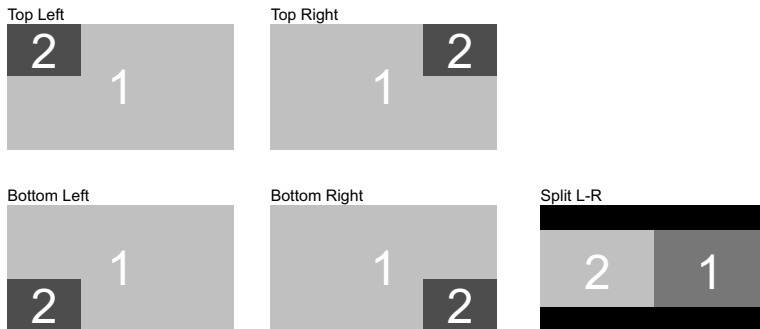
DVI-D(3D DVI) has not supported PIP.

PIP Select

Press ENTER to display available sources for the sub picture then select a source. Note that unavailable input source of sub-menu are gray out and can not be selected. The available input source of sub picture is as below combination list.

PIP Position

Use this function to select the location of the PIP window to Top left, Top Right, Bottom Left, Bottom Right, or Split L-R.



PIP

If you wish to display PIP picture, you can make the configuration here. By choosing "ON", you will see two windows on the projected picture; the larger one is the primary picture and the smaller one is the sub picture. By choosing "OFF", the PIP function will be disabled and you will only see a single picture window.

OSD Introduction – LAMPS

MAIN	Power	<	Normal	>
PICTURE	Mode	<	Dual	>
LAYOUT	High Altitude	<	Off	>
LAMPS	Custom Power Level		-----	
ADVANCED	Lamp1 Status :		On	
SYSTEM	Lamp2 Status :		On	
SERVICE	Lamp1 Run Time :		10HRS	
	Lamp2 Run Time :		10HRS	

POWER

Default value is Normal.

- **ECO:** The wattage of the lamp will be at 360W. If the surrounding environment is sufficiently dark or if you do not require intense brightness, you can set the lamp to Eco mode to prolong its usage life.
- **Normal:** The wattage of the lamp will be at 465W. If the projection environment requires brighter picture, you can set the lamp to Normal for the highest projection brightness.
- **Custom Level:** If the picture brightness at Eco mode is too dark for you and the Normal mode gets too bright, you can set it to custom level to specify the power of the lamp yourself to make fine adjustments to the brightness of the projected picture. You could encounter situations where the picture from projector A being brighter than projector B. When this occurs, you can use this function you could encounter situations where the picture from projector A being brighter than projector B. When this occurs, you can use this function to fine tune the brightness of the two projectors to achieve consistent picture brightness. To access this function, go to the OSD Menu → LAMPS → Power (Custom Level) → Custom Power Level and adjust accordingly.

Note:

ECO is automatically selected between 35~40°C(95~104°F)

Mode

Use ◀ or ▶ function to select single or dual lamp mode.

High Altitude

Use this function to switch the projector's cooling fan for high-altitude circumstances. You can set it to Off or On. The default setting is Off.

Under normal circumstances, the projector will operate normally with this function set to Off. If you were to operate the projector in environment of excessive heat or in areas of high altitude, the projector may automatically shut down due to over-heat. When this happens, you can enable this function by setting it to On to force the cooling fan to work at a higher speed to regulate the temperature inside the projector.

Note:

High altitude region refers to area with elevation over 5000 feet

Custom Power Level

Use this function to fine-tune the brightness. You can set power range from 78.3% to 100%.

Lamp 1 Status

Displays the Lamp 1 status.

Lamp 2 Status

Displays the Lamp 2 status.

Lamp1 Run Time

This function is limited to display purposes to inform the user of Lamp1's total run time.

Lamp2 Run Time

This function is limited to display purposes to inform the user of Lamp2's total run time.

Note :

You can choose to use one single lamp. The projector will automatically determine the usage hours for lamp1 and lamp2 and choose the lamp with lower hours for the operation.

OSD Introduction – ADVANCED

MAIN	Rear Projection	◀	Off	▶
PICTURE	Ceiling Mode	◀	Off	▶
LAYOUT	Lens Control		Enter	
LAMPS	Dynamic Contrast	◀	Off	▶
ADVANCED	Gamma	◀	2.5	▶
SYSTEM	Test Pattern		Enter	
SERVICE	Color Gamut	◀	Custom	▶
	Custom Color Gamut		Enter	
	Center Lens		Execute	
	Warp		Enter	
	Blanking		Enter	
	Edge Blend		Enter	

Rear Projection

Default setting is Off

Select "ON" when you set the projector to rear projection mode. Refer to [Page 22 Adjusting the Picture Orientation](#)

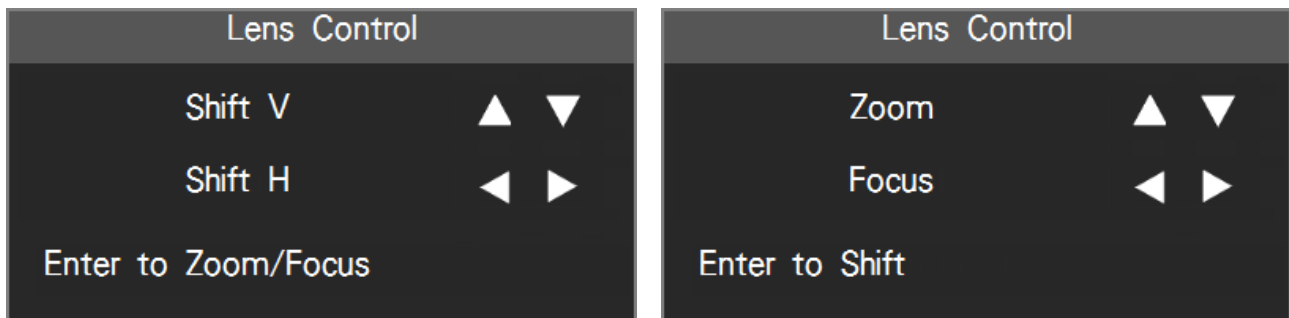
Ceiling Mode

Default setting is Off

When you have set up the projector for ceiling mode (hung from the ceiling in reverse), please set it to ON. For more information on different modes of projection, refer to [Page 22 Adjusting the Picture Orientation](#)

Lens Control

Use this function to display Lens Control window, press ◀, ▶, ▲ or ▼ to adjust lens shift, Zoom or Focus. Press Enter button to switch window for Zoom & Focus adjustment or Lens Shift adjustment.



Dynamic Contrast

When activated this function, the projector will dynamically adjust the picture contrast from the beginning of the projection until the content has ended.

Gamma

You can choose from five different gamma settings (1.8, 2.0, 2.2, 2.35, 2.5 and Dicom sim) on the projector to affect picture darker, brighter.. The projector's default gamma value is at 2.2.

Every setting has precisely defined phases to display all primary colors (red, green, blue) and secondary colors (yellow, cyan, magenta) in millions of pixels. Changing any number in the setting will change the resulting color and rearrange the color "triangle".

Test Pattern

Select this function to display test pattern, press ◀ or ▶ once to display the last or next pattern. To exit, press ▶ several times until the test patterns disappear.



Color Gamut

You can choose from the following color gamma to create different color presentation in the projected picture.

- **Native:** Choose this to apply the projector's native color gamut
- **EBU:** Choose this to apply the EBU color gamut; it is primarily suited for input devices using PAL, 576i, 576p and so forth
- **SMPTE:** Choose this to apply the SMPTE color gamut; it is primarily suited for input devices using NTSC, 480i, 480p and so forth.
- **Custom:** Choose this to customize the color gamut as your preference through serial commands.

Custom Color Gamut

This allows user adjust primaries(Red, Green, Blue), secondaries(Cyan, Yellow, Magenta), and white point independently to select the color performance that user prefer.

Center Lens

You can select Execute to center the lens when after series of lens shift operations.

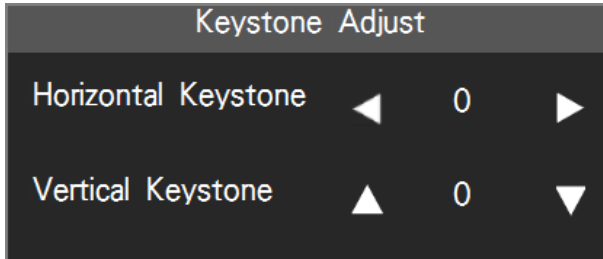
Warp

Use this function to correct image distortion.

Note:

DVI-D(3D DVI) has not supported warp.

- **Keystone:** Use ◀ or ▶ to correct horizontal distortion. Press ▲ or ▼ to correct vertical distortion.

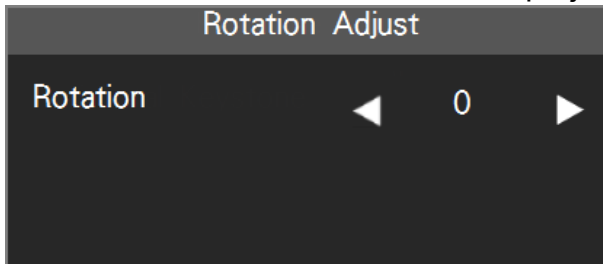


The adjustable value

H: -350 ~ 300

V: -32 ~ 32

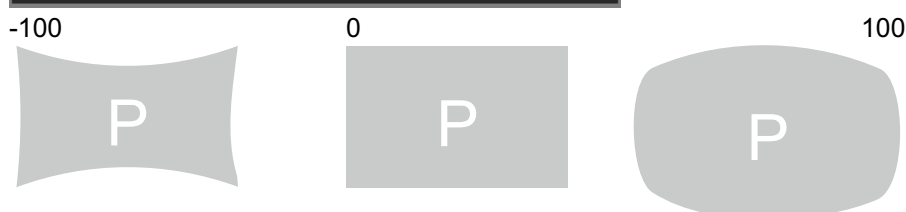
- **Rotation:** Press ◀ or ▶ to rotate the projected image.



The adjustable value is from -20 to 20.



- **Pincushion / Barrel:** Use this function to correct pincushion or barrel distortion. The adjustable range is from -100 to 100 steps. Press ◀ to correct pincushion distortion, ▶ to correct barrel distortion.



(Corner Keystone)

■ Top Left Corner



Press ▲▼◀▶ to correct top left corner image distortion.

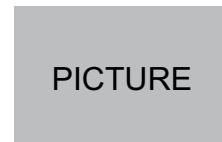


X: -192~192
Y: -120~120

■ Top Right Corner



Press ▲▼◀▶ to correct top right corner image distortion.



X: -192~192
Y: -120~120

■ Bottom Right Corner



Press ▲▼◀▶ to bottom right corner image distortion.



X: -192~192
Y: -120~120

■ Bottom Left Corner



Press ▲▼◀▶ to bottom left corner image distortion.

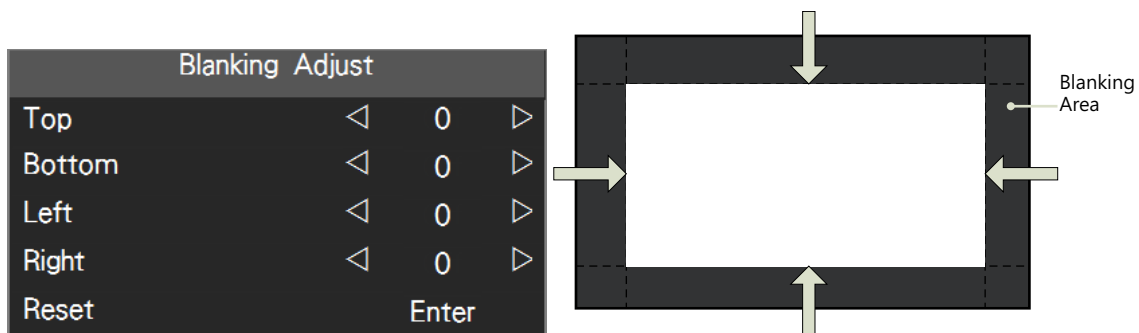


X: -192~192
Y: -120~120

- **Reset:** Set all values to 0.

Blanking

Use this function to adjust the edges of the image and hide unwanted sections of the screen up to 30%.



- **Top:** Use ◀▶ to adjust the top blanking area on the projected image.
Adjustable from 0 to 360
- **Bottom:** Use ◀▶ to adjust the bottom blanking area on the projected image.
Adjustable from 0 to 360
- **Left:** Use ◀▶ to adjust the left blanking area on the projected image.
Adjustable from 0 to 534
- **Right:** Use ◀▶ to adjust the right blanking area on the projected image.
Adjustable from 0 to 534
- **Reset:** Set all the values to 0.

Edge Blend

Edge blend function allows multiple projector images to be seamlessly overlapped. To use this function, Edge Blend must be enabled on both projectors.

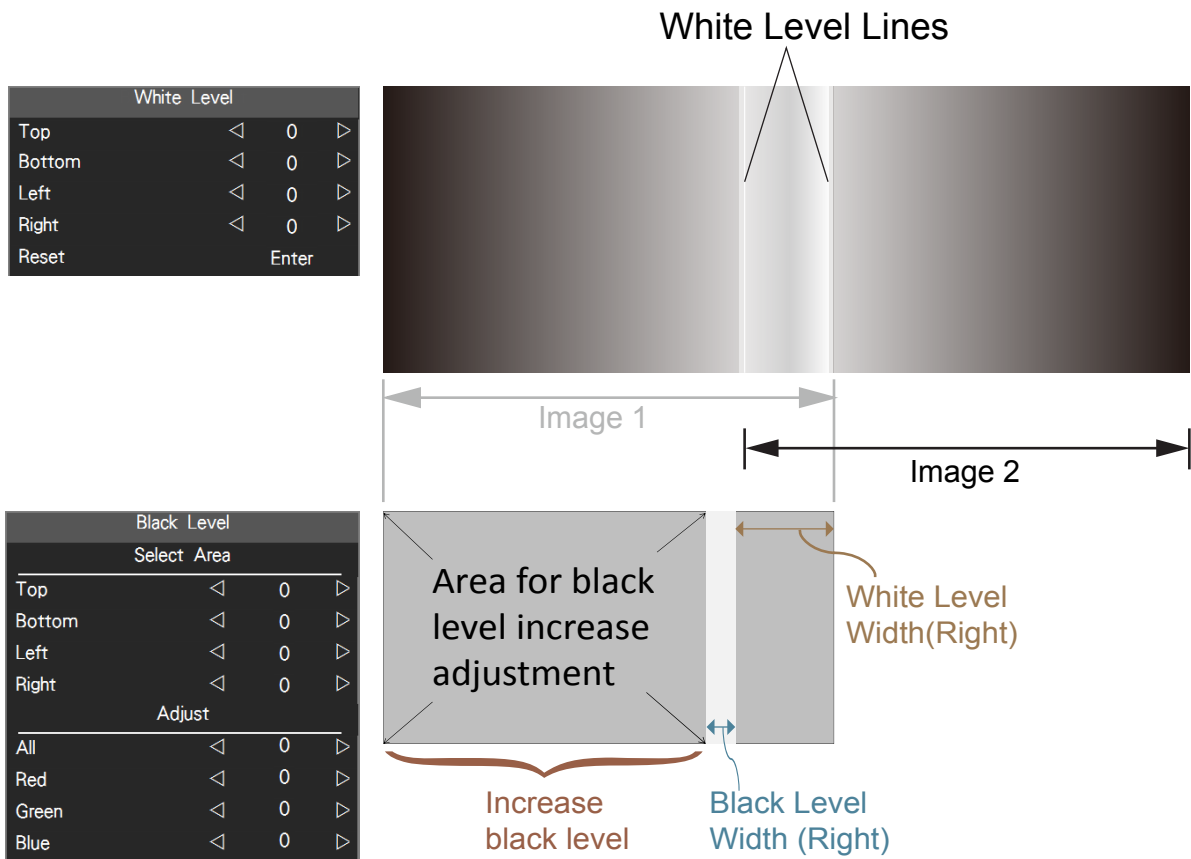
- **Status:** Press ENTER to select ON or OFF. The function must be set to ON in order to enable the function of Edge blend. If the function is set to OFF, the function of Edge blend is disabled.
- **White Level:** White level is to used to set the overlapped area at the four sides for blend in multi-projection application. Adjusted lines, when enabled, will be shown for indicating the overlapped area boundary. Press ▲▼◀▶ to adjust the white level at Top, Bottom, Left, Right directions on the projected picture.
As shown in the below drawing, the white level area is the overlap area of the projected picture 1 and the projected picture 2. The white level lines that is set where the other projector last pixels ends.
- **Black Level:** The outward boundaries of overlapping edges might appear brighter than the rest of the image due to the lumen at the inactive DMD display area. The purpose of black level is compensate the non overlap area vs the overlap area. It increases the black level of non overlap area .It is used to adjust the black level at Top, Bottom, Left, Right directions on the projected pictures.
After selecting and configuring the black level adjustment area, each of the primary colors Red, Green, Blue can be adjusted to increase to a higher black level independently, or optionally All colors together can be adjusted to increase to a higher black level simultaneously.

Note:

The function combination of Black Level adjustment , 4 Corners and blend along comers is not available.

Note:

DVI-D (3D DVI) has not supported Edge Blend.



A black image is required to connect to the multiple projectors to be blended for the black level adjustment. For projector projecting Image 1, Set the adjustment line of the black level to the position where the in active DMD's of another projector ends, for example: Adjust black level of projector corresponding to Image 1 to match the black level of inactive DMD display area of another projector. And performing the same adjustment on the projector corresponding to Image 2.

- **Reset:** Set all the value to 0.
- **Adjust Lines:** When the function is ON, there will be adjust lines on the picture in order to easily adjust multiple pictures. Press ▼▲◀▶ on the remote control to adjust the position of the lines on the picture.

Note:

When the "ON" is selected, the adjustment lines appear for blending adjustment. After the adjustment has been done, do not forget to select "OFF" to erase the green lines.

OSD Introduction – SYSTEM

MAIN	IR Address	◀	1	▶
PICTURE	Eco Network Power	◀	Off	▶
LAYOUT	Network		Enter	
LAMPS	Menu Position	◀	Center	▶
ADVANCED	Start Up Logo	◀	Off	▶
SYSTEM	Start Up Chime	◀	Off	▶
SERVICE	Button 1		Enter	
	Button 2		Enter	
	Button 3		Enter	
	Button 4		Enter	
	Button 5		Enter	
	Trigger 1	◀	Auto	▶
	Trigger 2	◀	16:9	▶
	Auto Source	◀	Off	▶
	Language		Enter	

IR Address

If control two projectors with one remote control, you can set one projector IR Address code to “1” and “2” for the other projector. You can control two projectors with the same remote control just need to change the IR Address 1 or 2.

Eco Network Power

Selecting the ECO network disable the LAN function.

When this function set to ON, the projector will turn off the power that control the the LAN board. So you can't operate the projector remotely over a network at the standby mode.

If set to OFF, you won't conserve power but can control the projector remotely over a network.

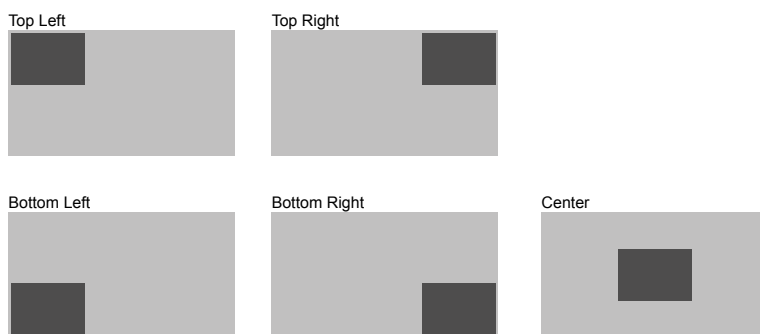
Network

To control the projector via network, after connecting the network cables for a PC and the projector, you can use this OSD function to view the relevant network information (such as IP Address, Subnet Mask, Gateway and DHCP) of the projector. Please configure the PC to be connected to the projector with a proper IP address with the same subnet mask, gateway as the projector. The default IP address of the projector is 192.168.0.100. The network settings of the projector can only be changed through the web-page control or serial commands.

To control the projector via network, please connect to the projector via a web browser with the IP address shown on the OSD menu System -> Network.

Menu Position

Set the OSD pop on the screen's position. The default setting is "Center".



Start Up Logo

Use ◀▶ select on or off of the start up logo.

Start Up Chime

Set it to On to have the projector play a sound effect during start up; when it is set to off, the projector will not play any sound effect to indicate start up.

Button 1~5

Use this function to set the picture source for each corresponding button.

For example, if you have assigned Button 1 as HDMI and Button 2 as VGA, when you press **1** on the remote control, the projector will show the picture from HDMI. And when you press **2** on the remote control, the projector will switch to the picture from VGA.

You can choose different input sources on the projector, namely: HDBaseT, HDMI, DVI-D, VGA, Y/Pb/Pr, 5 BNC, 3G-SDI.

Factory default setting refer to [page 17 button 1-5](#).

Note:

DVI-D (3D DVI) has not supported PIP, Warp, Edge Blend.

After factory reset, the input button will be back to default.

Trigger 1, 2

The projector comes with one set of Trigger output. You can configure one devices connected to the projector via the trigger port to be automatically turned on when the projector is on. There will be a 2-3 second delay prior to activation to prevent operation of this function when the user is choosing an aspect ratio.

- **5:4:** Outputs 12V of power on Trigger when Aspect Ratio is set to 5:4.
- **4:3:** Outputs 12V of power on Trigger when Aspect Ratio is set to 4:3.
- **16:10:** Outputs 12V of power on Trigger when Aspect Ratio is set to 16:10.
- **16:9:** Outputs 12V of power on Trigger when Aspect Ratio is set to 16:9.
- **1.88:** Outputs 12V of power on Trigger when Aspect Ratio is set to 1.88.
- **2.35:** Outputs 12V of power on Trigger when Aspect Ratio is set to 2.35.
- **Letterbox:** Outputs 12V of power on Trigger when Aspect Ratio is set to Letterbox.
- **Native:** Outputs 12V of power on Trigger when Aspect Ratio is set to Native.
- **Unscaled:** Outputs 12V of power on Trigger when Aspect Ratio is set to Unscaled.
- **Auto:** Outputs 12V of power on Trigger automatically.

Auto Source

When set to ON the projector will automatically determine the source of input every time it is turned on so that the user will not have to make the selection on the OSD Menu.

Setting the function off will require the user to specify source of picture input on the OSD Menu in order for the projector to display the intended picture.

Note:

This function is not available when the input source is 3D DVI.

Language

Set the OSD language. Refer to [Page 33 Changing the OSD Language](#)

OSD Introduction – SERVICE

MAIN	Model :	EIP-UJT100	
PICTURE	Serial Number :	1234567890	
LAYOUT	Software Version :	xxxxxxxxxxxxxxxxxxxxxxxxxxxxxxxx	
LAMPS	Active/PIP Source :	HDMI	/ Off
ADVANCED	Pixel Clock :	154.08MHz	
SYSTEM	Signal Format :	1920x1200@60Hz	
SERVICE	H/V Refresh Rate :	H:74.074KHZ, V:60HZ	
	Lamp1 Run Time :	10 HRS	
	Lamp2 Run Time :	10 HRS	
	Lamp Hour Reset		Enter
	Projector Run Time :	10 HRS	
	Blue Only	◀	Off ▶
	Factory Reset		Enter

The functions covered in this unit relate to the display of some basic information about the projector.

Note:

Memory of the custom timing files will be erased in the Factory Reset operation.

Model

The designated model number of the projector.

Serial Number

The designated serial number of the projector.

Software Version

The version of software installed on the projector.

Active/PIP Source

Displays the current Active/PIP sources.

Pixel Clock

Displays the pixel clock of the current input signal.

Signal Format

Displays the format of the current input signal.

H/V Refresh Rate

Displays the horizontal and vertical refresh rates for the current image.

Lamp 1 Run Time

Display the lamp 1 usage time.

Lamp 2 Run Time

Display the lamp 2 usage time.

Lamp Hour Reset

Use this function to reset the hours for lamp1 or lamp2 to zero.

Note:

After replacing the lamp, remember to reset the lamp hours to ensure the accuracy of lamp hours displayed in the OSD Menu.

Projector Run Time

Displays the projector's total operating hours.

Blue Only

This function displays only blue color to facilitate the process of image inspection for a service personnel.

Factory Reset

Restore the configurations in the OSD Menu back to the factory default.

Note that this function will not apply to items including no signal, network, Projector control, startup Logo, language, High Altitude mode and lamp hours.

Note:

When Factory Reset is executed, all source memories created by the projector will be erased.

Maintenance and Care

Lamp Replacement

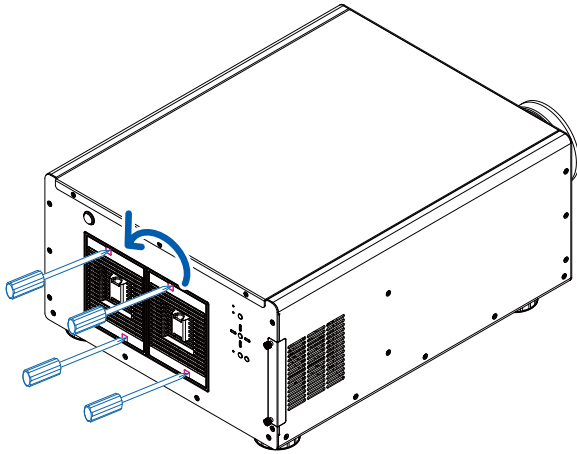
The life cycle of ordinary projection lamp typically lasts for 2000 hours before requiring replacement (different lamp configurations will affect lamp life). From the OSD Menu, you can check how long the lamp has been used. You should also replace the lamp when the projected image gets noticeably darker. Contact your local dealer to purchase new certified lamps.

1. Turn off the projector and unplug the power cord. Leave the projector for approximately 30 minutes to cool enough before removing the lamp module for replacement.

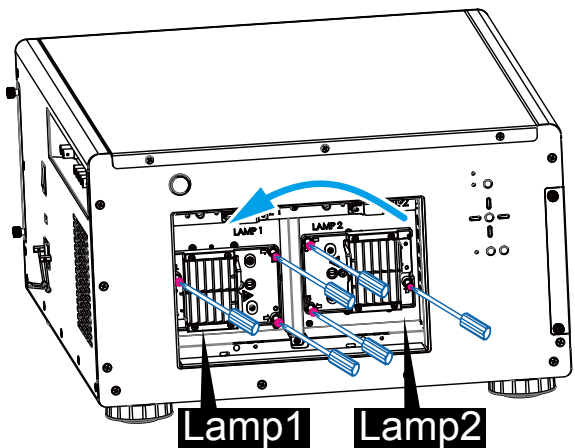
Note:

When you turn off the projector, the lamp inside the projector will still be very hot (approximately 200 ~ 300°C). If you attempt to replace the lamp without allowing the projector to cool, you could risk scalding yourself. This is why you should wait for no less than 30 minutes for the lamp to cool down in order to perform the replacement safely.

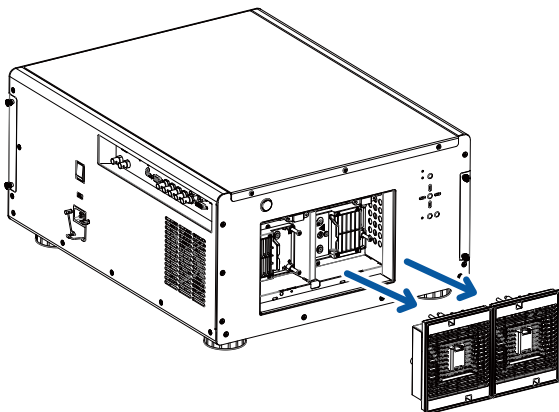
2. Loosen the screws on the fan units.



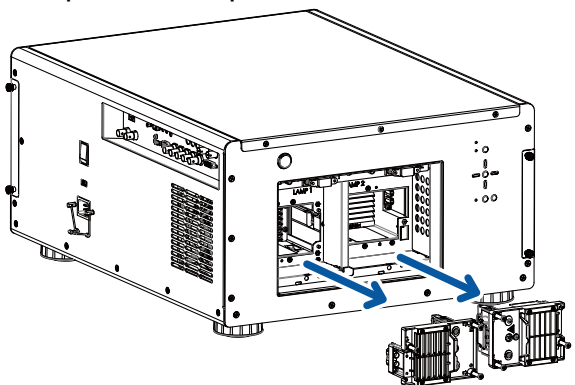
4. Use a screw driver to loosen the screws as shown in the illustration.



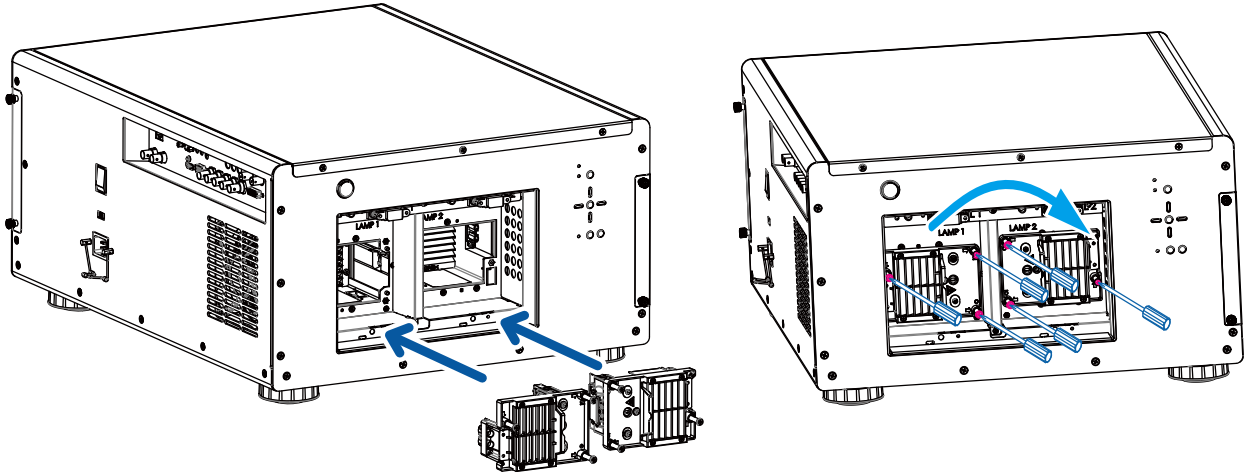
3. Remove the fan units.



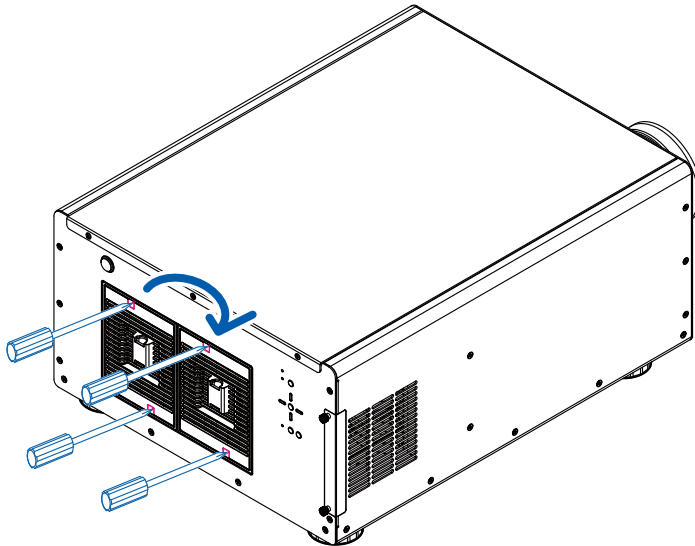
5. Grasp the metal rod on the lamp cover and pull the lamp out.



6. Insert the new lamp, tighten the three screws and make sure the lamp is firmly secured to prevent the lamp from shaking or poor contact.



7. Install the lamp units and tighten the screws on them.



8. Reconnect power to the projector and reset the lamp usage timer. Refer to [Page 46 Lamp1 Run Time](#)
[Page 46 Lamp2 Run Time](#)

ORDER REPLACEMENT Lamp

**Replacement Lamp can be ordered through your dealer.
When ordering a lamp, give following information to the dealer.**

Replacement lamp P/N: AH-D31010

Filters Replacement

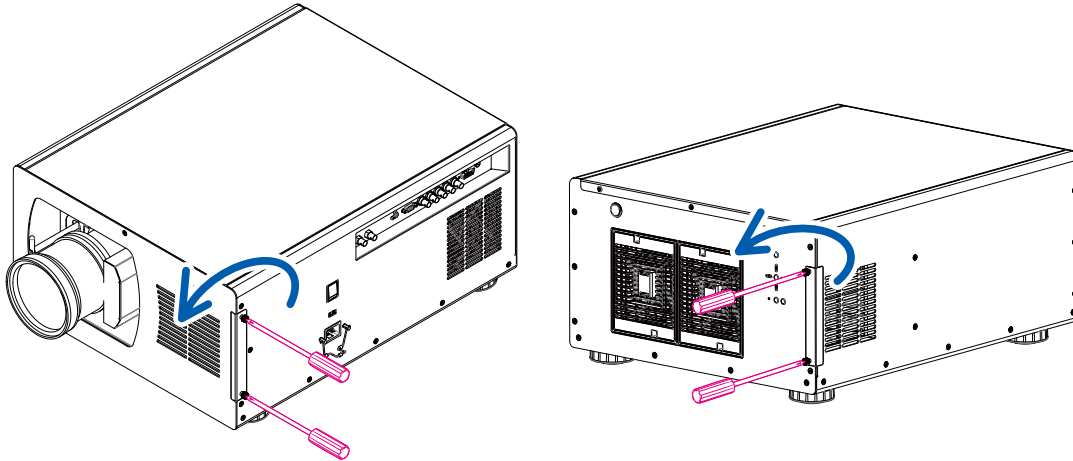
The interval of the filter replacement is affected by the dustiness. Check the filters periodically for better performance.

Note:

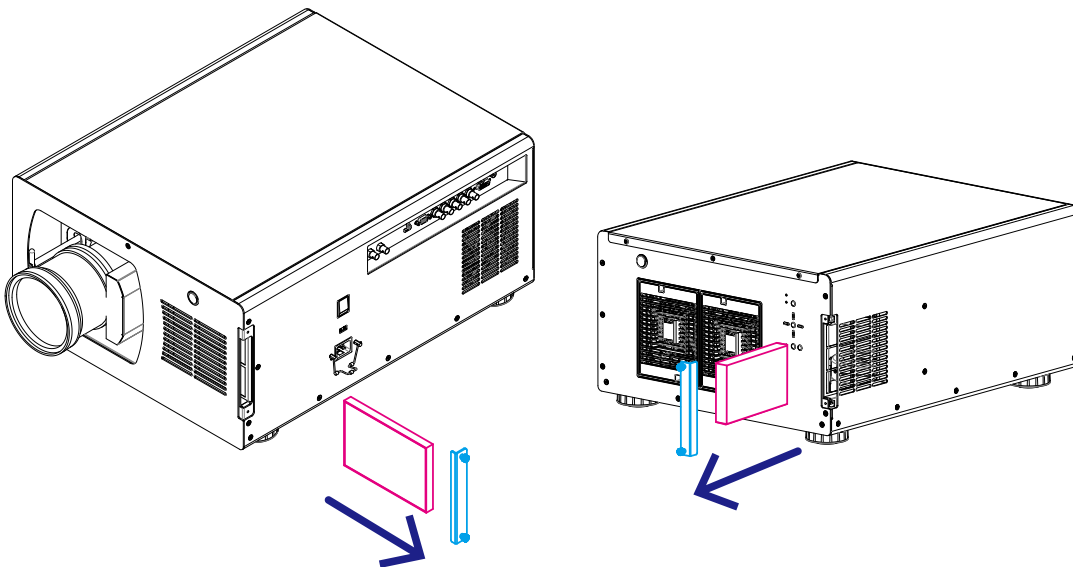
Dirty filter may reduce the air flowing into the projector and the temperature in the projector may rise as a result. This may activate the protection mechanism or damage the components. Suggest to change the filter each 2000 hours.

Check, clean and replace the filter periodically.

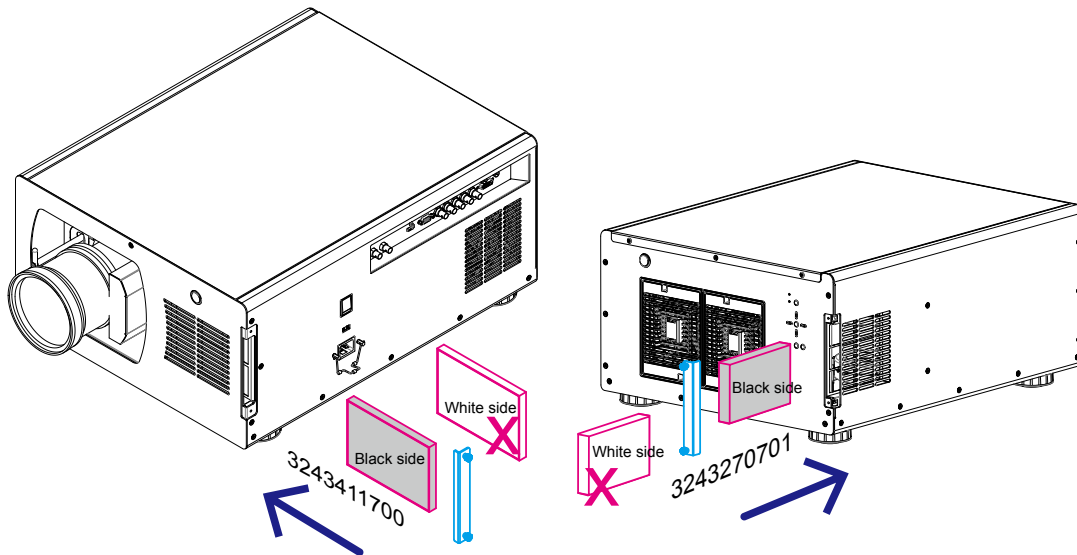
1. Loosen the screws on the filter cover.



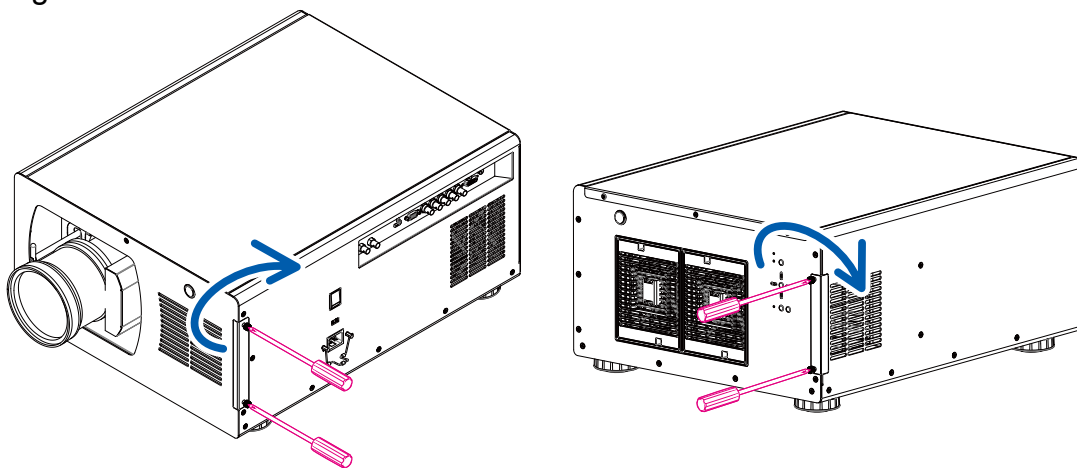
2. Remove the filter cover and take out the old filters.



3. Insert the new filters into the machine.



4. Tighten the screws on the filter cover.



ORDER REPLACEMENT Filter

Replacement filter can be ordered through your dealer.
When ordering a filter, give following information to the dealer.

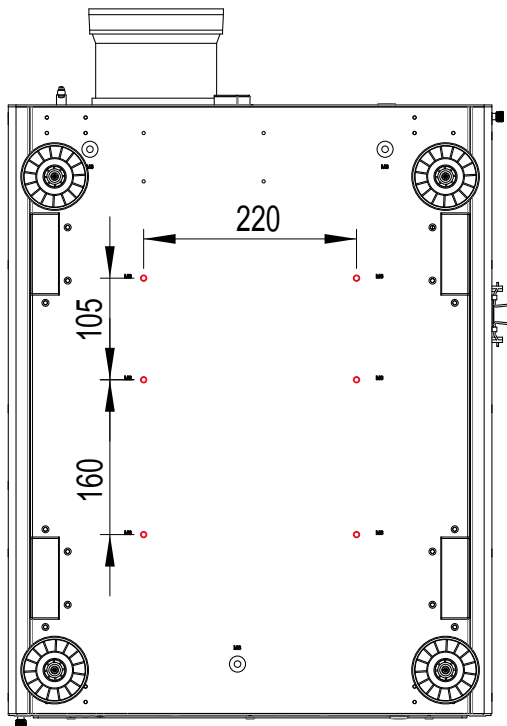
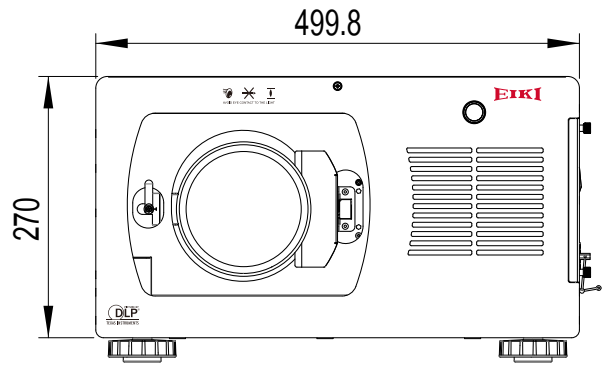
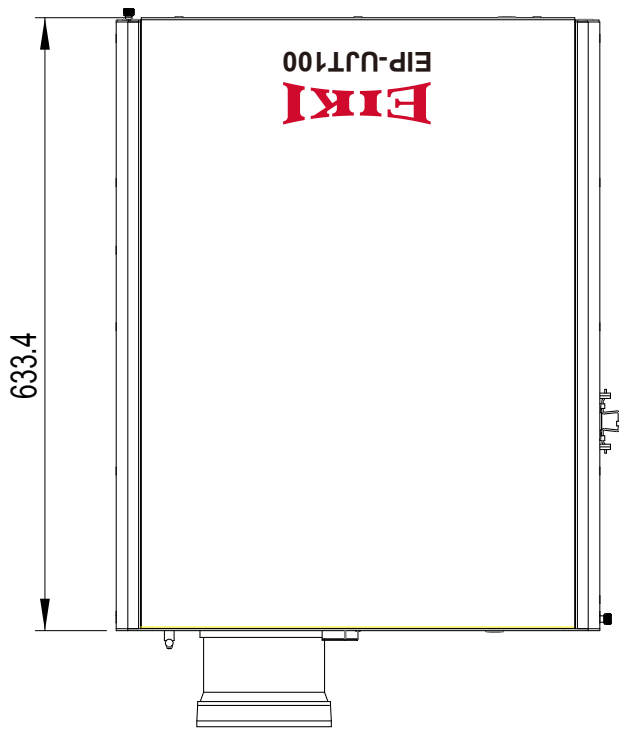
Replacement Filter P/N: 3243270701(Rear), 3243411700(Front)

Appendix

Technical Specification

Model	EIP-UJT100		
Display Type	DLP		
Native Resolution	WUXGA (1920 x 1200)		
Maximum Resolution	WUXGA (1920 x 1200)@60Hz		
Lamp Life and Type	2000hours(Normal 465W), 2500hours(ECO 360W)		
Aspect Ratio	Native, Unscaled, 5:4, 4:3, 16:10, 16:9, 1.88, 2.35 and Letterbox		
Lens Shift Range	V(-25%~50%), H(+/-10%)		
Keystone Correction	Vertical: +/-20° Horizontal: +/-35°		
Synchronization	Vertical: 23.98 - 120 Hz		
	Horizontal: 15.63 - 91.15kHz		
Edge Blending	Yes (built-in)		
Video Compatibility	SDTV(480i/576i), EDTV (480p/576p), HDTV (720p, 1080i/p), NTSC/NTSC 4.43 PAL B/G/H/I/ M/N 60, SECAM		
I/O Connection Ports	HDMIx1, RGB/H/Vx1, YPbPrx1, VGAx1, DVI-Dx1, SDIx1, HDBaseTx1, SYNC INx1, SYNC OutX1, R/C INx1, 12V-Triggerx2, RS-232x1, LANx1		
Projection Method	Table Top, Ceiling Mount (Front or Rear)		
Dimensions (W x D x H)	550x505x250mm (21.7"x19.9"x9.8")		
Weight (Without Lens)	37kg (81.4lbs)		
Power Supply	AC 100-240V, 50/60Hz		
Power Consumption	Input Voltage	Normal Mode	ECO Mode
	220V	1140W	895W
	110V	1230W	955W
	Standby: 5W (LAN ON)		
Standard Accessories	AC Power Cord(USA) x2, AC Power Cord(EU) x1, AC Power Cord (China) x1 Remote Control x1, Owner's Manual (CD) x1, Quick Start Guide x1 RoHS Card for China x1, QC Pass Card for China x1, Warranty Card for China x1 Warranty Card for USA x1, Battery AA x2, Wired Remote Cable x1		
Optional Accessories	Interchangeable Lens (x6)		
	Replacement Lamp		
	Replacement Filter		

Product Outline Dimension



Mounting bracket screw hole (M6)

These screw holes are used to mount the projector to its designated mounting bracket using 6 M6x15 screws. The dimensions of the screw holes are shown in the picture below.

Support Timing List

Signal Format	Resolution	Frame Rate	3 RCA	5BNC	HD15- RGBHV	HD15 YUV	HDMI			SDI	
			Y-Pr-Pb	Y-Pr-Pb			RGB	YUV	YUV		YUV
								8 bit	10 bit		12 bit
PC	640x480	59.94		V	V		V				
	640x480	74.99		V	V		V				
	640x480	85		V	V		V				
	800x600	60.32		V	V		V				
	800x600	75		V	V		V				
	800x600	85.08		V	V		V				
	848x480	47.95		V	V		V				
	848x480	59.94		V	V		V				
	1024x768	60		V	V		V				
	1024x768	75		V	V		V				
	1024x768	85		V	V		V				
	1280x720	47.95		V	V		V				
	1280x1024	60.02		V	V		V				
	1280x1024	75.02		V	V		V				
	1280x1024	85.02		V	V		V				
	1600x1200	60		V	V		V				
	1920x1080	47.95		V	V		V				
	1680x1050	59.94		V	V		V				
	1920x1200	50		V	V		V				
	1920x1200	59.94		V	V		V				
	1920x1200	60		V	V		V				
	1400x1050	60		V	V		V				
	1366x768	60			V		V				
	1440x900	60			V		V				
1280x768	60			V		V					
1280x800	60			V		V					
1280x960	60			V		V					
Apple Mac	640x480	66.59			V		V				
	832x624	74.54			V		V				
NTSC	NTSC {M, 4.43}	59.94									
PAL	PAL (B, G, H, I)	50									
	PAL (N)	50									
	PAL (M)	59.94									
SECAM	SECAM (M)	50									
SDTV	RGBS	50									
	480i	59.94	V							V	
	1440x480i	60					V	V	V	V	
	1440x576i	50					V	V	V	V	
EDTV	576i	50	V							V	
	480p	59.94	V	V	V	V	V	V	V	V	
	576p	50	V	V	V	V	V	V	V	V	
HDTV	1035i	60	V	V	V	V	V	V	V	V	
	1080i	50	V	V	V	V	V	V	V	V	
	1080i(Aus)	50	V	V	V	V	V	V	V	V	
	1080i	59.94	V	V	V	V	V	V	V	V	
	1080i	60	V	V	V	V	V	V	V	V	
	720p	50	V	V	V	V	V	V	V	V	
	720p	59.94	V	V	V	V	V	V	V	V	
	720p	60	V	V	V	V	V	V	V	V	
	1080p	23.98	V	V	V	V	V	V	V	V	
	1080p	24	V	V	V	V	V	V	V	V	
	1080p	25	V	V	V	V	V	V	V	V	
	1080p	29.97	V	V	V	V	V	V	V	V	
	1080p	30	V	V	V	V	V	V	V	V	
	1080p	50	V	V	V	V	V	V	V	V	
1080p	59.94	V	V	V	V	V	V	V	V		
new for SDI	1080sf	30								V	
	1080sf	25								V	

SDI Format

Timing	SDI Link mode	Signal Standards	Color Encode	Sampling Structure	Bit Depth
NTSC	SD	SMPTE 259M-C 270Mbps SD	YCbCr	4:2:2	10
PAL	SD	SMPTE 259M-C 270Mbps SD	YCbCr	4:2:2	10
1035i60	HD	SMPTE 292M 1.5Gbps HD	YCbCr	4:2:2	10
1080i59	HD	SMPTE 292M 1.5Gbps HD	YCbCr	4:2:2	10
1080i60	HD	SMPTE 292M 1.5Gbps HD	YCbCr	4:2:2	10
1080P30	HD	SMPTE 292M 1.5Gbps HD	YCbCr	4:2:2	10
1080P25	HD	SMPTE 292M 1.5Gbps HD	YCbCr	4:2:2	10
1080i50	HD	SMPTE 292M 1.5Gbps HD	YCbCr	4:2:2	10
1080P24	HD	SMPTE 292M 1.5Gbps HD	YCbCr	4:2:2	10
720P60	HD	SMPTE 292M 1.5Gbps HD	YCbCr	4:2:2	10
720P50	HD	SMPTE 292M 1.5Gbps HD	YCbCr	4:2:2	10
1080Sf25	HD	SMPTE 292M 1.5Gbps HD	YCbCr	4:2:2	10
1080Sf30	HD	SMPTE 292M 1.5Gbps HD	YCbCr	4:2:2	10
1080P50	3G Level A	SMPTE 424M 3Gbps	YCbCr	4:2:2	10
1080P59	3G Level A	SMPTE 424M 3Gbps	YCbCr	4:2:2	10
1080P60	3G Level A	SMPTE 424M 3Gbps	YCbCr	4:2:2	10
1080P50	3G Level B	SMPTE 424M 3Gbps	YCbCr	4:2:2	10
1080P59	3G Level B	SMPTE 424M 3Gbps	YCbCr	4:2:2	10
1080P60	3G Level B	SMPTE 424M 3Gbps	YCbCr	4:2:2	10

Test Cable: Belden 1694A

DVI dual-link for 3D

Signal Type	Resolution	Frame rate	DVI single-link	DVI dual-link	3D	Reference
PC	1920x 1080	120Hz		V	V	
	1920x 1080	100Hz		V	V	
	1920x1200	120Hz		V	V	Reduced Blanking
	1920x1200	100Hz		V	V	Reduced Blanking
	1920x 1080	60Hz	V			
	1920x1200	60Hz	V			Reduced Blanking

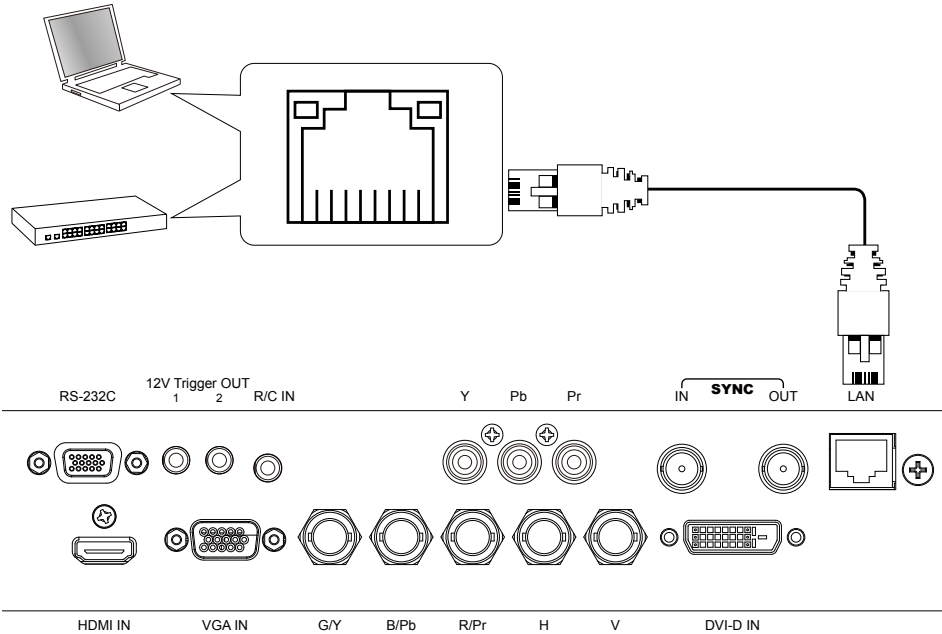
Projector Control via LAN

The projector supports to control the projector through the network. Before using this function, please set up the network configuration of your personal computer.

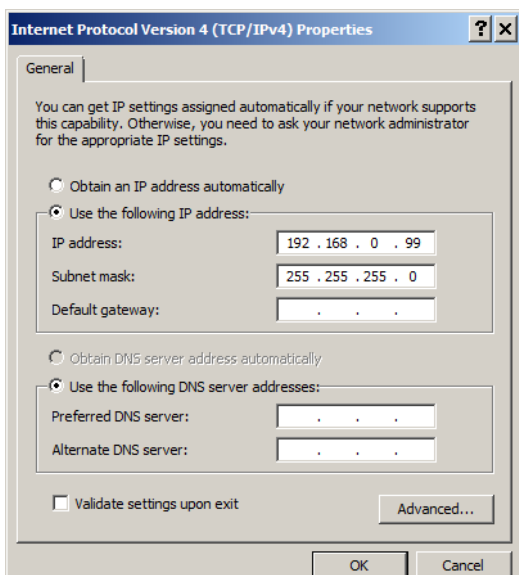
1. Set up network configuration.

The default IP address of the projector is 192.168.0.100, please follow below steps to set the network configuration.

Connect RJ-45 cable from PC to the LAN connector on the projector.



2. Set up Internet Protocol (TCP/IP) Properties in your PC as below:



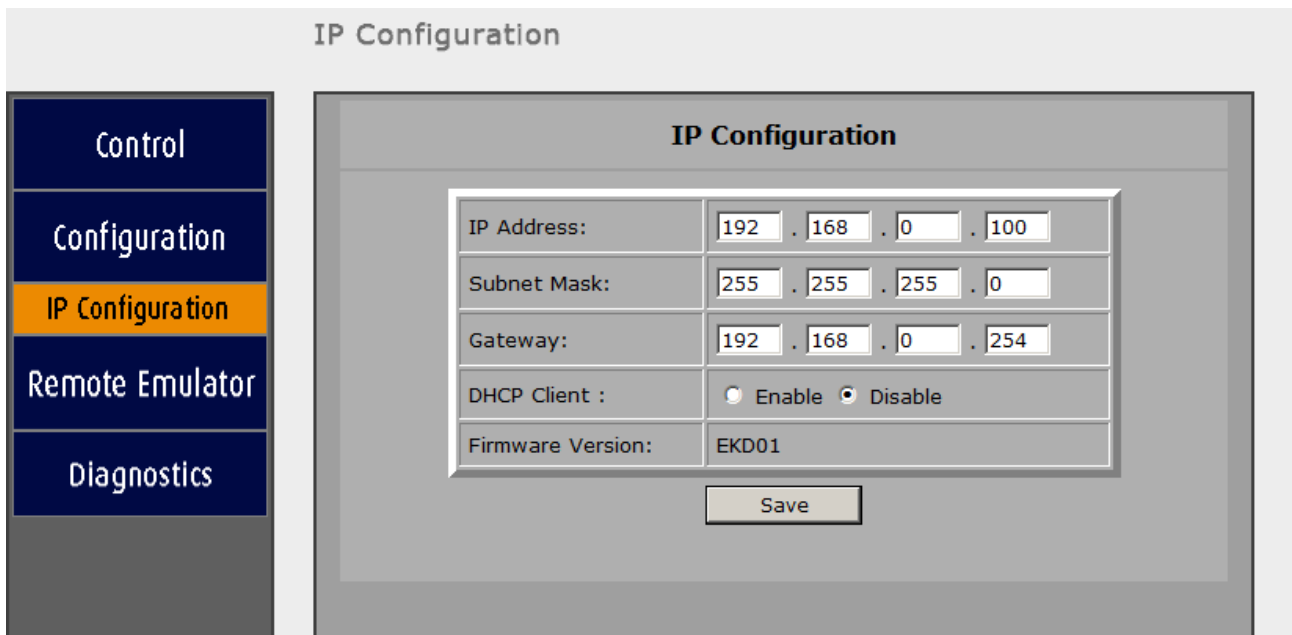
Recommended PC setting

IP Address : 192.168.0.99.
Subnet : 255.255.255.0

Default settings for the projector

IP Address : 192.168.0.100
Subnet : 255.255.255.0

Open a web browser on your PC and type the IP address of the projector (192.168.0.100), IP configuration will be shown on the web page.



Set the IP address and subnet mask and click SAVE to confirm the configuration. Projector Web Control will show below message for confirmation.

“The projector IP will be changed and the connection to the projector will be lost, do you want to continue ?

Select "Yes" to confirm the changes, "No" to cancel.

Note:

Make sure the IP address of the projector and PC are in the same network group.

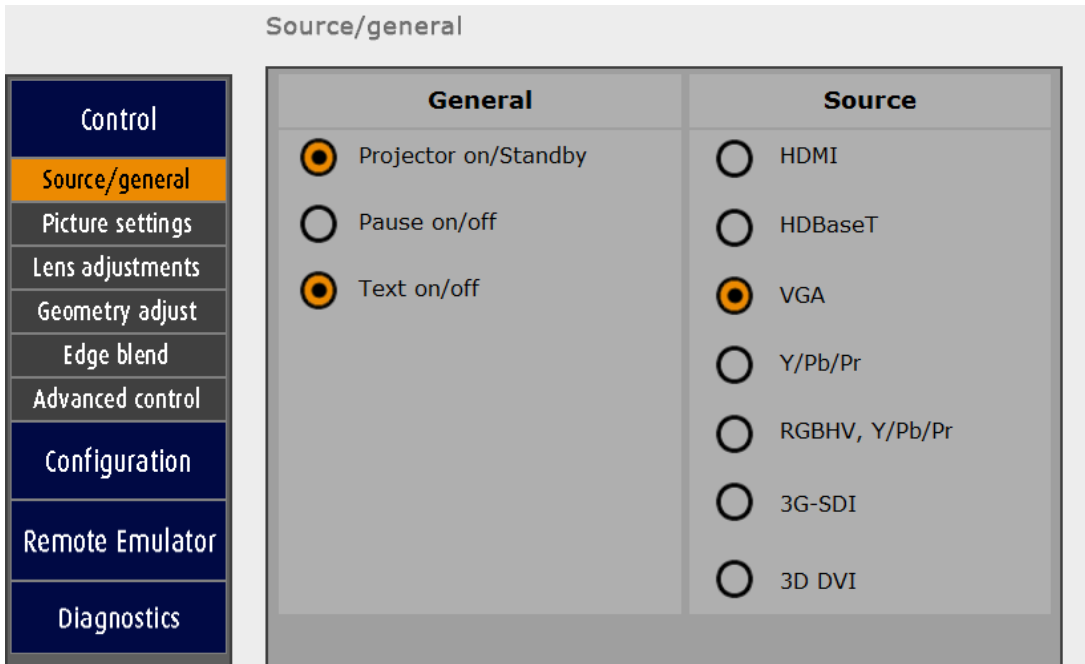
Using Projector Web Control

■ Source/General

Use this page to control the general settings of the projector such as power on/off, source....etc.

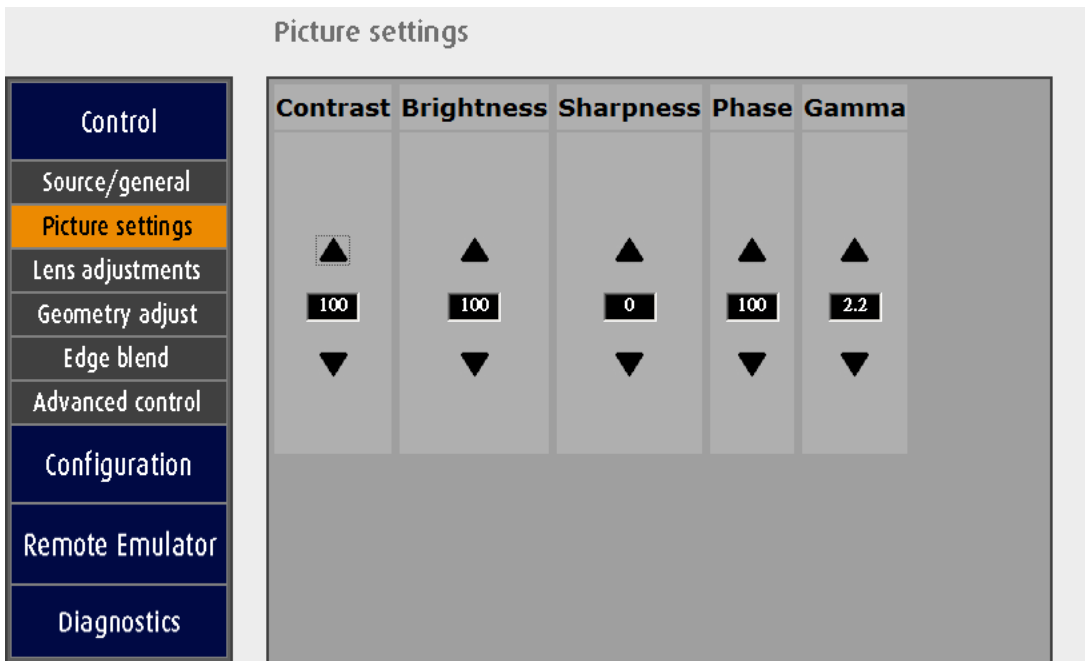
Note:

If projector control option is selected to RS232, the web control will be interrupt. Network control has to be enabled from the projector's OSD menu before connecting to projector web control.



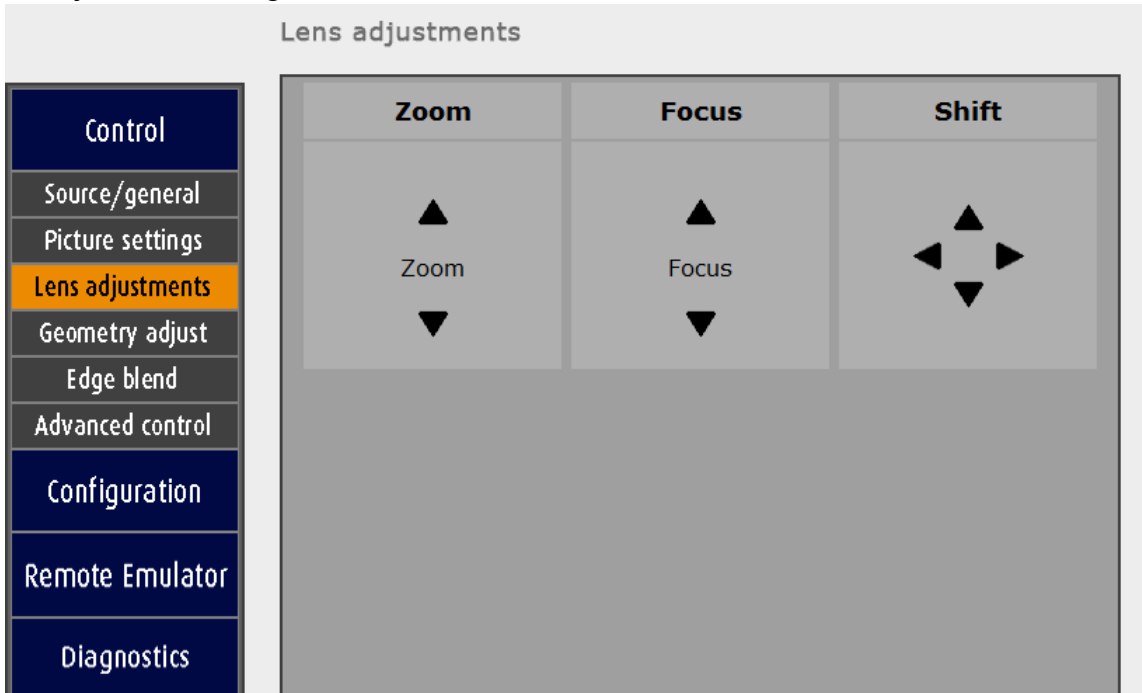
■ Image Setting

Click arrows to adjust the image settings such as Brightness, Sharpness...etc. on the web page.



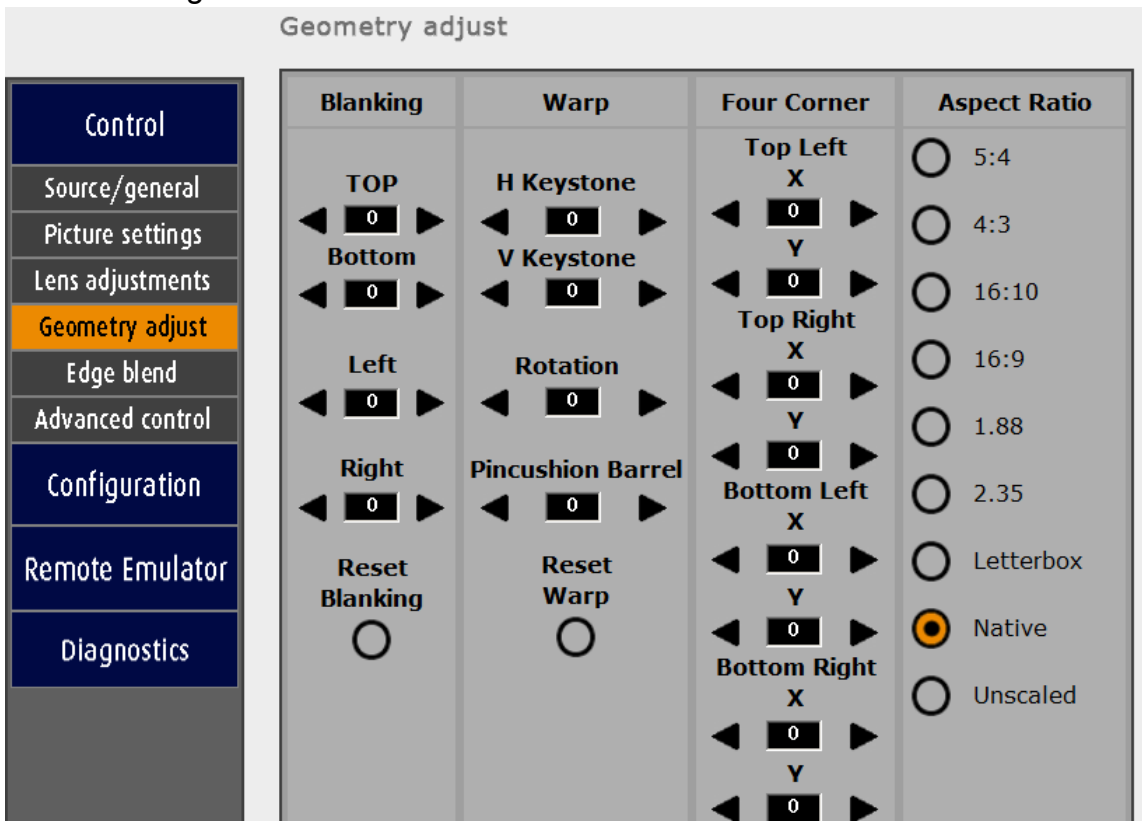
■ **Lens Adjustments**

This page allows you to adjust Zoom, Focus and Lens shift. The operation is similar to control the projector by the remote control or control panel on the projector, click arrows to adjust the settings.



■ **Geometry Adjust**

Click the arrow buttons to adjust Blanking, Warp, Four Corner, and click the option to select the aspect ratio setting. Click Reset option to reset Blanking or Warp to the default setting.



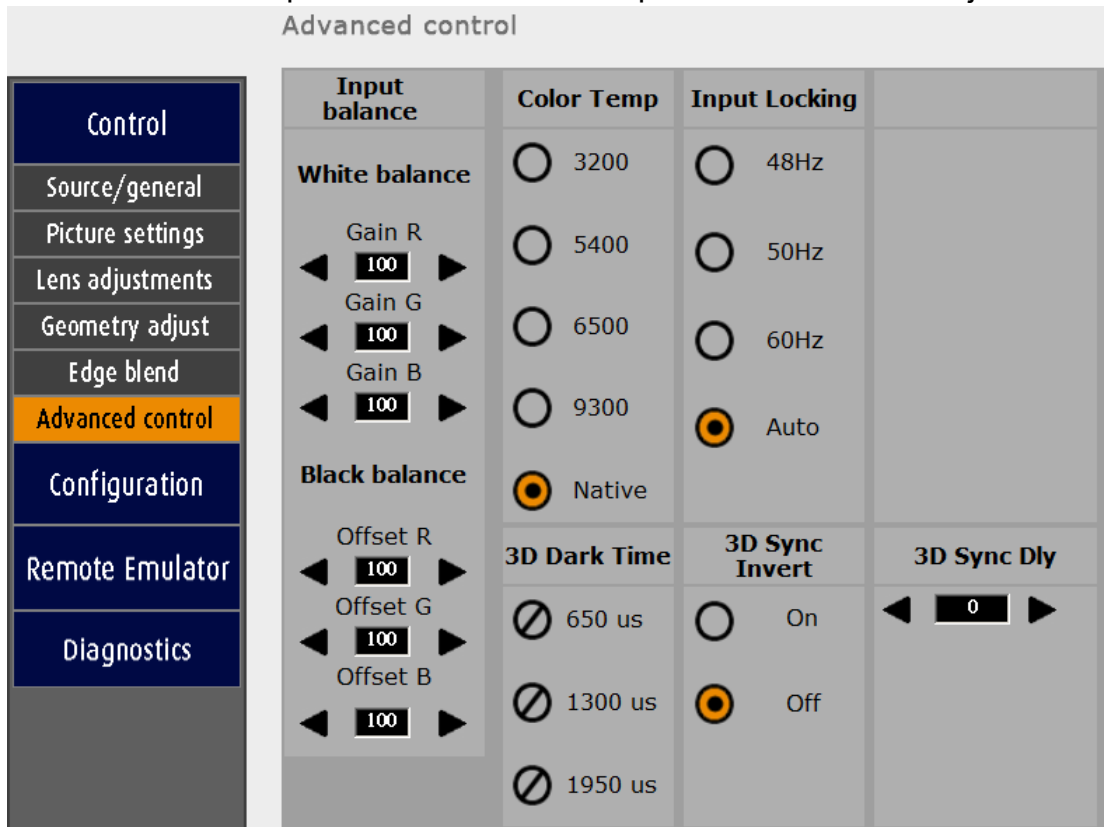
■ **Edge Blend**

Click Status option to enable or disable Edge Blend function. When Edge Blend is disabled, the other options are unavailable and N/A is shown on the column. The other options are available only when Edge Blend is enabled.



■ **Advance Control**

This page allows you to select color temperature or adjust black balance or white balance. Click the option to select Color Temp. or arrow button to adjust the setting.



■ Configuration

Use this page to modify the networking setting such as IP address, Subnet, Gateway and DHCP. Make sure the IP address of the projector and PC are in the same network group. For example, 192.168.0.X. Whereas X must contain a different value.

The screenshot shows the 'IP Configuration' web interface. On the left is a vertical navigation menu with buttons for 'Control', 'Configuration', 'IP Configuration' (highlighted in orange), 'Remote Emulator', and 'Diagnostics'. The main content area is titled 'IP Configuration' and contains a form with the following fields:

IP Address:	192 . 168 . 0 . 100
Subnet Mask:	255 . 255 . 255 . 0
Gateway:	192 . 168 . 0 . 254
DHCP Client :	<input type="radio"/> Enable <input checked="" type="radio"/> Disable
Firmware Version:	EKD01

Below the form is a 'Save' button.

If the network provides DHCP service, you can enable DHCP client. IP Address, Subnet, and Gateway will be assigned by DHCP service. Please contact with your network administration for more details.

■ Diagnostics

Advance Diagnostics

This page is to diagnose the projector. Okay is displayed under normal condition. Error code is displayed if there is an error in the projector. If any abnormal code, please contact with the service center.

The screenshot shows the 'Diagnostics' web interface. On the left is a vertical navigation menu with buttons for 'Control', 'Configuration', 'Remote Emulator', 'Diagnostics' (highlighted in orange), and 'About'. The main content area is titled 'Diagnostics' and displays the text: 'Error code: Okay'.

■ **About**

This page shows the product, input source, lamp, installation information...etc

Information

- Model : UJT100
- Serial number : 0123456789
- Software version : NE02T1-GD02-13.4-08-08-31-EKD01
- Active source : VGA
- Pixel clock : 65.0 MHz
- Signal format : 1024x768@60Hz
- H/V refresh rate : 48.379 KHz / 60 Hz
- Lamp1 run time : 18 HRS
- Lamp2 run time : 18 HRS
- Lamp1 On/Off : OFF
- Lamp2 On/Off : ON
- Projector run time : 31 HRS
- Projector status : Imaging
- Rear projection : Front
- Ceiling mode : Floor

■ **Remote Emulator**

Operate the projector with the remote control illustrated in the browser as actual one.

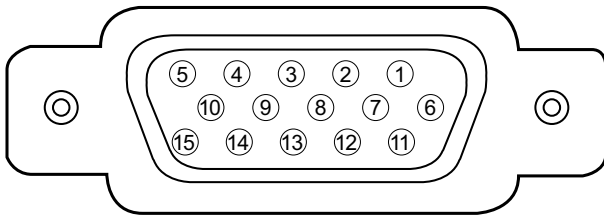
Remote Control

The virtual remote control interface includes the following buttons and controls:

- ON, POWER, OFF
- INPUT buttons: 1, 2, 3, 4, 5
- Directional pad (Up, Down, Left, Right) with ENTER in the center
- MENU, AUTO IMAGE
- PAUSE, TEXT, SHARPEN
- PHASE, COLOR, TINT
- PIP, BKBK

Configurations of Terminals

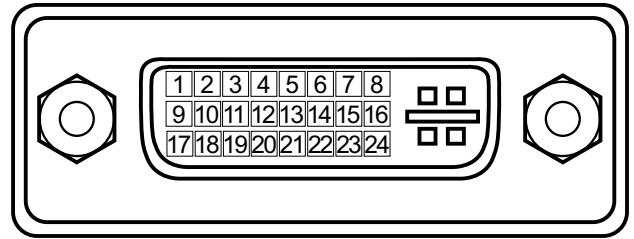
■ Analog (Mini D-sub 15 pin)



Input

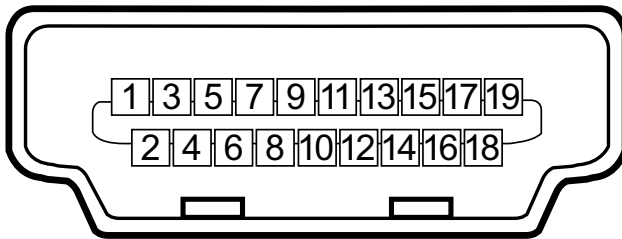
1	Red Input	9	P5V
2	Green Input	10	GND
3	Blue Input	11	GND
4	N.C	12	VGA_SDA
5	N.C	13	H-Sync
6	GND	14	V-Sync
7	GND	15	VGA_SCL
8	GND	16	GND

■ DVI-D



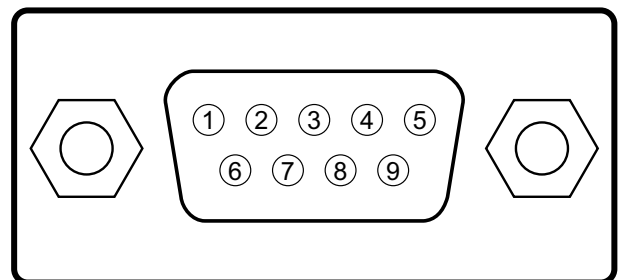
1	T.M.D.S. Data 2- Input	13	N.C
2	T.M.D.S. Data 2+ Input	14	P5V
3	Ground	15	Ground
4	N.C	16	HPD
5	N.C	17	T.M.D.S. Data 0- Input
6	SCL	18	T.M.D.S. Data 0+ Input
7	SDA	19	Ground
8	N.C	20	N.C
9	T.M.D.S. Data 1- Input	21	N.C
10	T.M.D.S. Data 1+ Input	22	Ground
11	Ground	23	T.M.D.S. Clock+ Input
12	N.C	24	T.M.D.S. Clock- Input

■ HDMI(19 pin Type A)



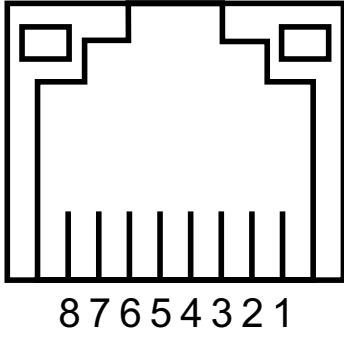
1	T.M.D.S. Data 2+ Input	11	Ground
2	Ground	12	T.M.D.S. Clock C- Input
3	T.M.D.S. Data 2- Input	13	CEC
4	T.M.D.S. Data 1+ Input	14	N.C
5	Ground	15	SCL
6	T.M.D.S. Data 1- Input	16	SDA
7	T.M.D.S. Data 0+ Input	17	Ground
8	Ground	18	P5V
9	T.M.D.S. Data 0- Input	19	HPD
10	T.M.D.S. Clock C+ Input		

■ CONTROL PORT – RS232 (D-sub 9 pin)



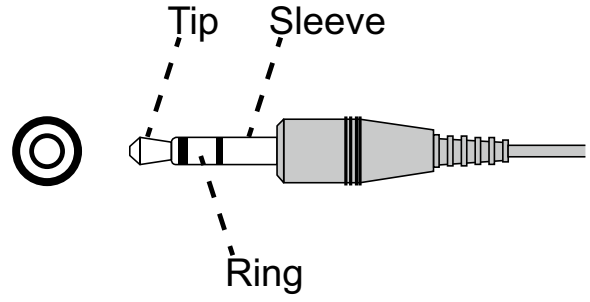
1	N.C
2	RXD
3	TXD
4	N.C
5	Ground
6	N.C
7	Short with pin8
8	Short with pin7
9	N.C

■ LAN TERMINAL (RJ-45) / HDBaseT



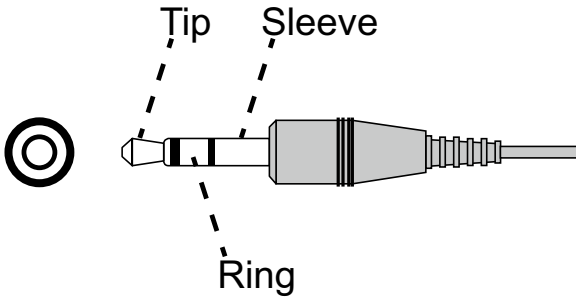
1	TX+
2	TX-
3	TXC
4	Ground
5	Ground
6	RXC
7	RX+
8	RX-

■ Wired Remote



1	Tip	VCC(3.3V)
2	Sleeve-	Ground
3	Ring	Signal

■ Screen Trigger



1	Tip	VCC(12V)
2	Sleeve-	Ground
3	Ring	Signal



WorldWide Website
<http://www.eiki.com>

U.S.A.

EIKI International, Inc.
30251 Esperanza
Rancho Santa Margarita
CA 92688-2132, U.S.A.

Tel: +1 800-242-3454
+1 949-457-0200
Fax: +1 800-457-3454
+1 949-457-7878
E-Mail: usa@eiki.com

Canada

EIKI CANADA
Eiki International, Inc.
Canadian Branch
P.O. Box 156, 310 First St. - Unit 2,
Midland, ON, L4R 4K8, Canada

Tel: +1 800-563-3454
+1 705-527-4084
Fax: +1 800-567-4069
+1 705-527-4087
E-Mail: canada@eiki.com

Deutschland & Österreich

EIKI Deutschland GmbH
Am Frauwald 12
65510 Idstein, Deutschland

Tel: +49 6126-9371-0
Fax: +49 6126-9371-11
E-Mail: info@eiki.de

Eastern Europe

EIKI CZECH SPOL. s.r.o.
Nad Cementárnou 1163/4a
Praha 4, Podolí, 147 00
Czech Republic

Tel: +420 241-410-928
+420 241-403-095
Fax: +420 241-409-435
E-Mail: info@eiki.cz

South East Asia

EIKI Industrial (M) Sdn Bhd
No. 11, Nouvelle Industrial Park,
Lorong Teknologi B, Taman Sains
Selangor 1, Kota Damansara PJU5,
47810 Petaling Jaya, Selangor Darul Ehsan, Malaysia

Tel: +60 3-6157-9330
Fax: +60 3-6157-1320
E-Mail: sales@eiki.my

Oceania

EIKI AUSTRALIA PTY LTD
Level 5, 11 Queens Road,
Melbourne, Victoria 3004, Australia

Tel: +61 03-8530-7048
Fax: +61 03-9820-5834
E-Mail: sales@eiki.net.au

China

EIKI (Shanghai) Co., Ltd.
LAKESIDE OASIS MIDDLE RING
BUSINESS CENTRE
Block 1, Room 606,
1628, Jin Sha Jiang Road
Shanghai, 200333, CHINA

Tel: +86 21-3251-3993
Service Hot line: +86 21-3251-3995
Fax: +86 21-3251-3997
E-mail: info@eiki-china.com

Japan & Worldwide

EIKI Industrial Company Limited.
6-23 Teramoto, Itami-shi, Hyogo,
664-0026, Japan

Tel: +81 72-782-7492
Fax: +81 72-781-5435