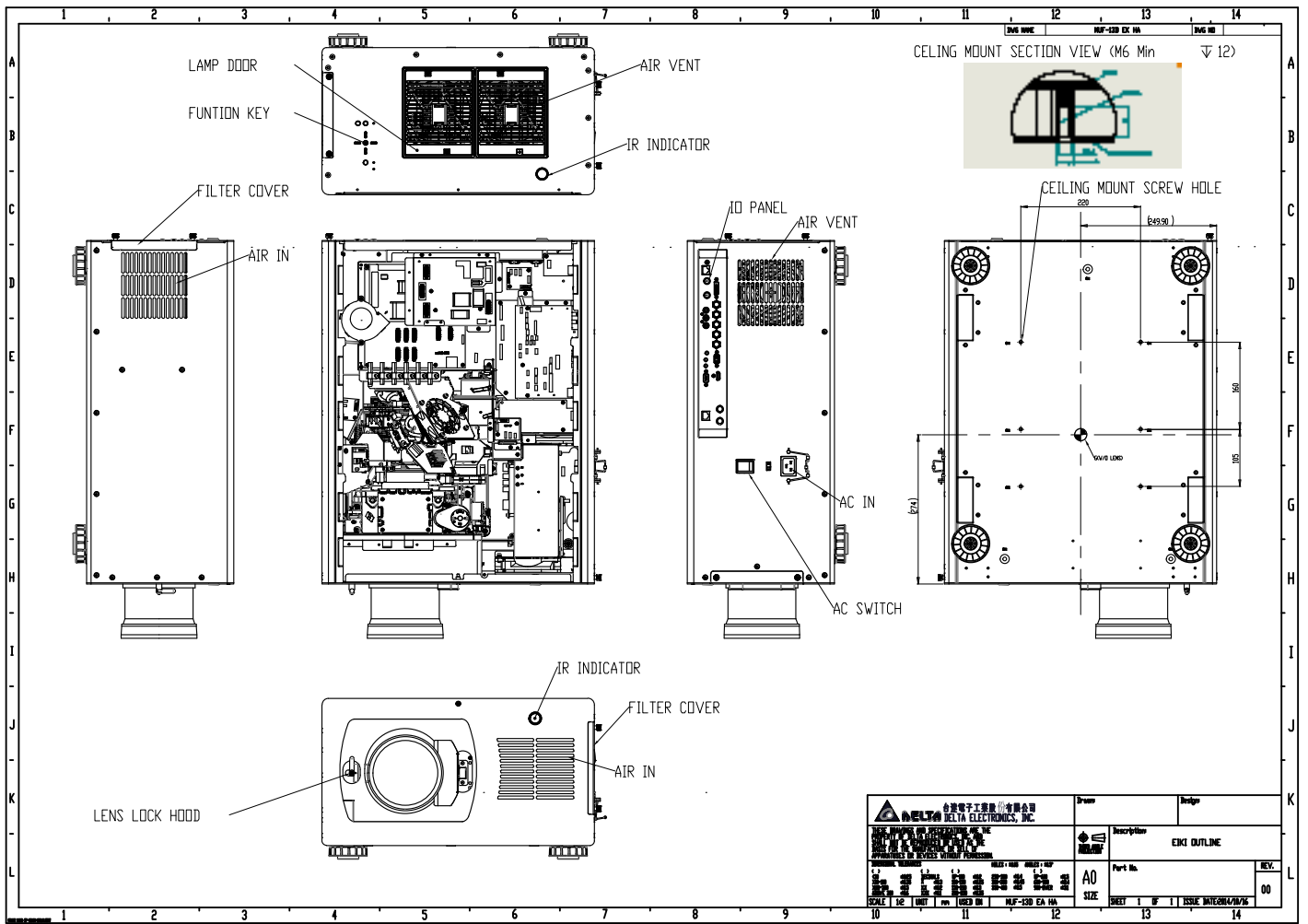
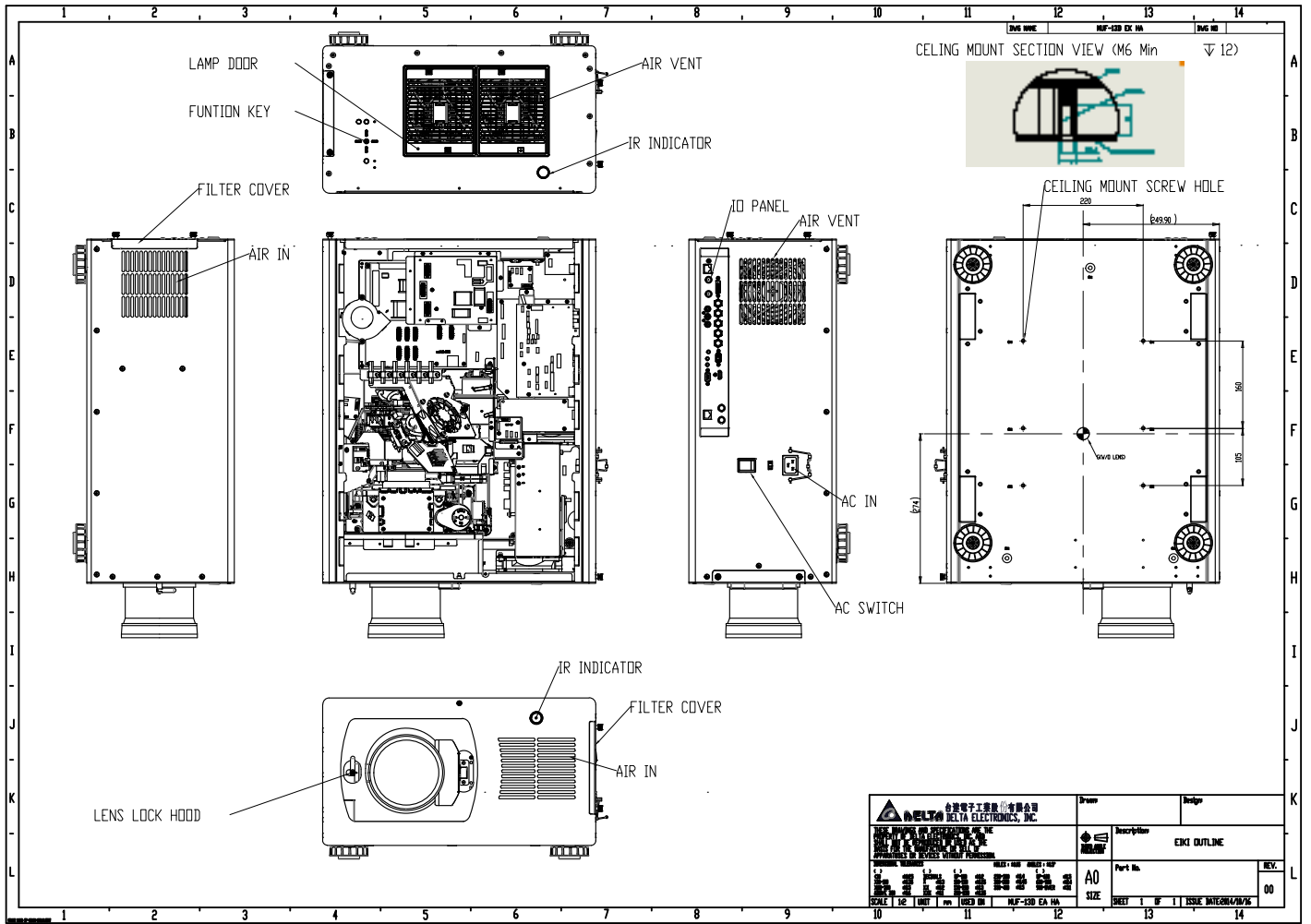


台達電子工業股份有限公司 DELTA ELECTRONICS, INC.		Drawn	Design
<small>           ALL RIGHTS RESERVED. NO PARTS OR SERVICES ARE TO BE REPRODUCED WITHOUT THE WRITTEN PERMISSION OF DELTA ELECTRONICS, INC.         </small>		Description EKI OUTLINE	
<small>           MODEL: EKI-130 EX HA            PART NO.: EKI-130 EX HA            SCALE: 1:2            UNIT: mm            USED IN: MUF-130 EX HA         </small>		Part No. AO SIZE	REV. 00
<small>           SHEET 1 OF 1            ISSUE INTERIM/1/16         </small>			



台達電子工業股份有限公司 DELTA ELECTRONICS, INC. 1000 W. PARKWAY DRIVE FORT WORTH, TEXAS 76102 U.S.A.		Drawn	Design
台達電子工業股份有限公司 DELTA ELECTRONICS, INC. 1000 W. PARKWAY DRIVE FORT WORTH, TEXAS 76102 U.S.A.		Description	EKI OUTLINE
PAF-EBD EX 1A SCALE 1:2 UNIT mm (REQ IN) PAF-EBD EA 1A		Part No.	REV. 00
SHEET 1 OF 1 ISSUE DATE/REV/ISS			



台達電子工業股份有限公司 DELTA ELECTRONICS, INC.		Drawn	Design
台達電子工業股份有限公司 DELTA ELECTRONICS, INC. 100 HONG KONG ROAD, HONG KONG 100 HONG KONG ROAD, HONG KONG		Description	EKI OUTLINE
台達電子工業股份有限公司 DELTA ELECTRONICS, INC. 100 HONG KONG ROAD, HONG KONG 100 HONG KONG ROAD, HONG KONG		Part No.	REV. 00
SCALE 1:2 UNIT mm SHEET 01 PAF-530 EA HA		A0 SIZE SHEET 1 OF 1 ISSUE DATE: 04/16/16	